

US00D404744S

United States Patent [19]

Bernadic et al.

[11] Patent Number: Des. 404,744

[45] Date of Patent: **Jan. 26, 1999

[54] POLYGONAL INDEXABLE CUTTING INSERT

[75] Inventors: **Thomas Bernadic**, Madison Heights; **John Patterson**, Hazel Park; **Tony Lowe**, Royal Oak; **Brendan Brockett**, Dearborn, all of Mich.

[73] Assignee: **Valenite Inc.**, Madison Heights, Mich.

[**] Term: **14 Years**

[21] Appl. No.: **86,047**

[22] Filed: **Apr. 3, 1998**

[51] LOC (6) Cl. **15-09**

[52] U.S. Cl. **D15/139**

[58] Field of Search D15/139; 407/112-119

[56] References Cited

U.S. PATENT DOCUMENTS

3,557,416	1/1971	Jones .	
3,777,341	12/1973	Heinrich et al. .	
3,786,541	1/1974	Lundgren .	
4,189,265	2/1980	Arnold et al. .	
4,334,808	6/1982	Seidel .	
4,359,300	11/1982	Hazra et al. .	
4,367,990	1/1983	Porat et al. .	
4,411,565	10/1983	Hazra et al. .	
4,685,844	8/1987	McCreery et al. .	
5,116,167	5/1992	Niebauer .	
5,141,367	8/1992	Beeghly et al. .	
5,180,258	1/1993	Bernadic	407/114

OTHER PUBLICATIONS

Sandvik Coromant, 95.1—Supplement to Catalog CMP94—T Cumulative Supplement 94.1—95.1, pp. 1—7, U.S.A. VNMP—443E—Valenite.

Primary Examiner—Antoine Duval Davis
Attorney, Agent, or Firm—Mary K. Cameron

[57] CLAIM

The ornamental design for a polygonal indexable cutting insert, as shown.

DESCRIPTION

FIG. 1 is a perspective view of a polygonal indexable cutting insert showing a first form of our new design;

FIG. 2 is a top plan view of the polygonal indexable cutting insert of FIG. 1;

FIG. 3 is a side view of the polygonal indexable cutting insert of FIG. 1;

FIG. 4 is a sectional view of the polygonal indexable cutting insert of FIG. 2 taken along line 5—5;

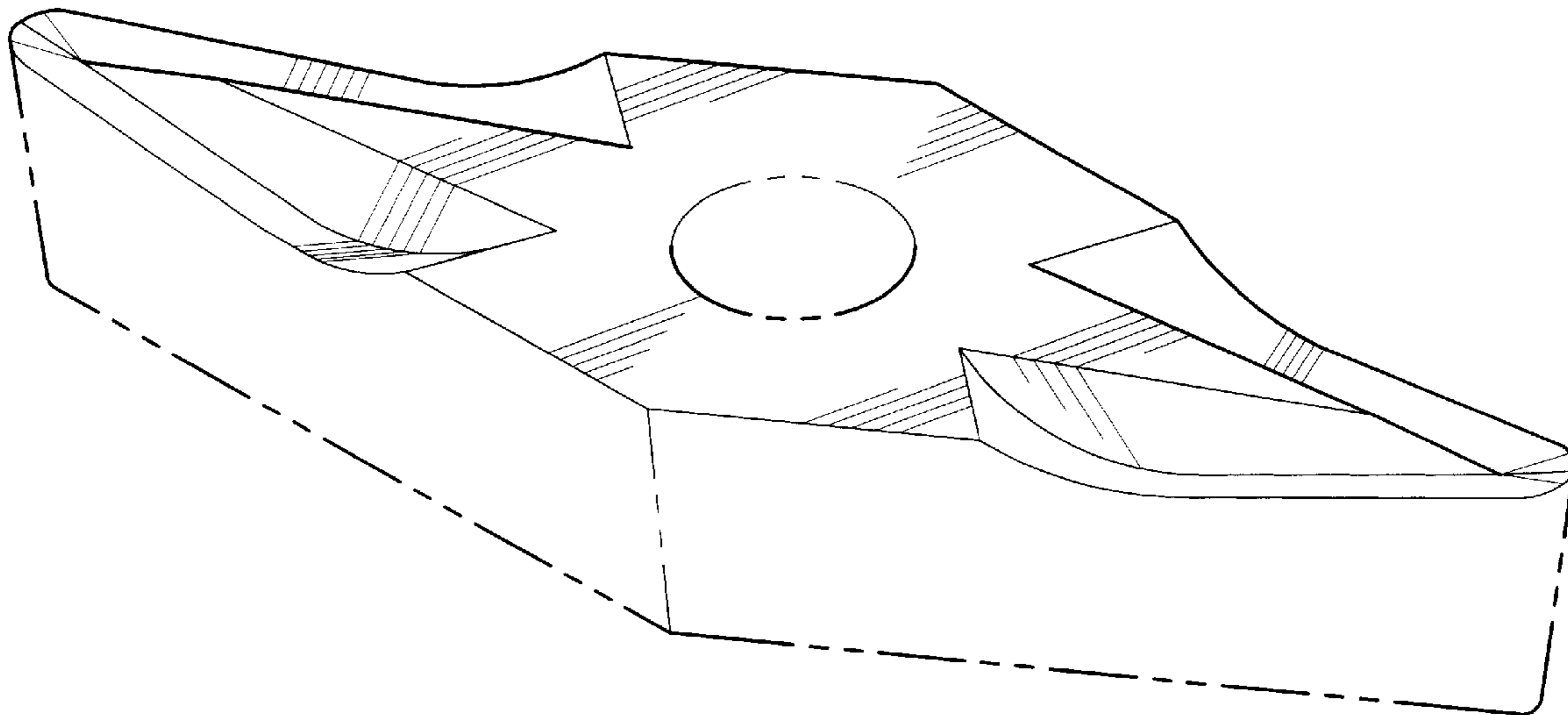
FIG. 5 is a sectional view of the polygonal indexable cutting insert of FIG. 2 taken along line 6—6;

FIG. 6 is a view of a polygonal indexable cutting insert showing a second form of our new design; and,

FIG. 7 is a view of a polygonal indexable cutting insert showing a third form of our new design.

The broken line showing is for illustrative purposes only and forms no part of the claimed design.

1 Claim, 3 Drawing Sheets



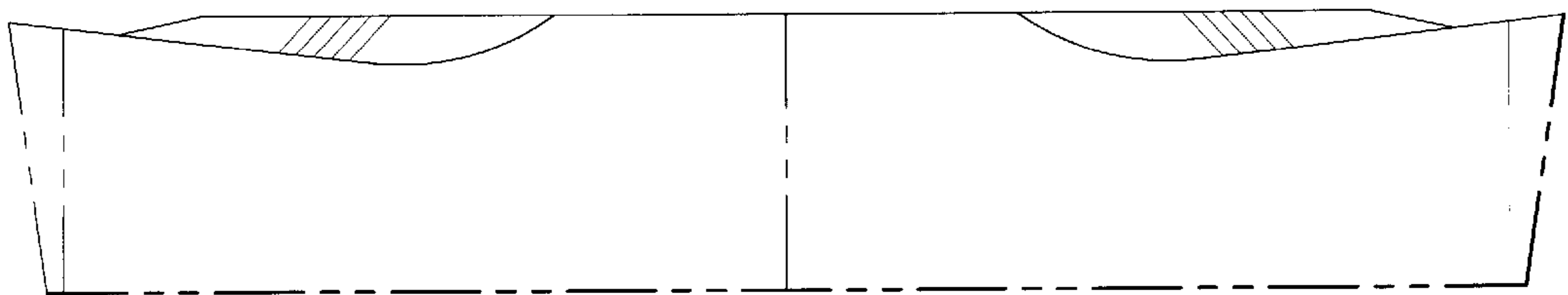
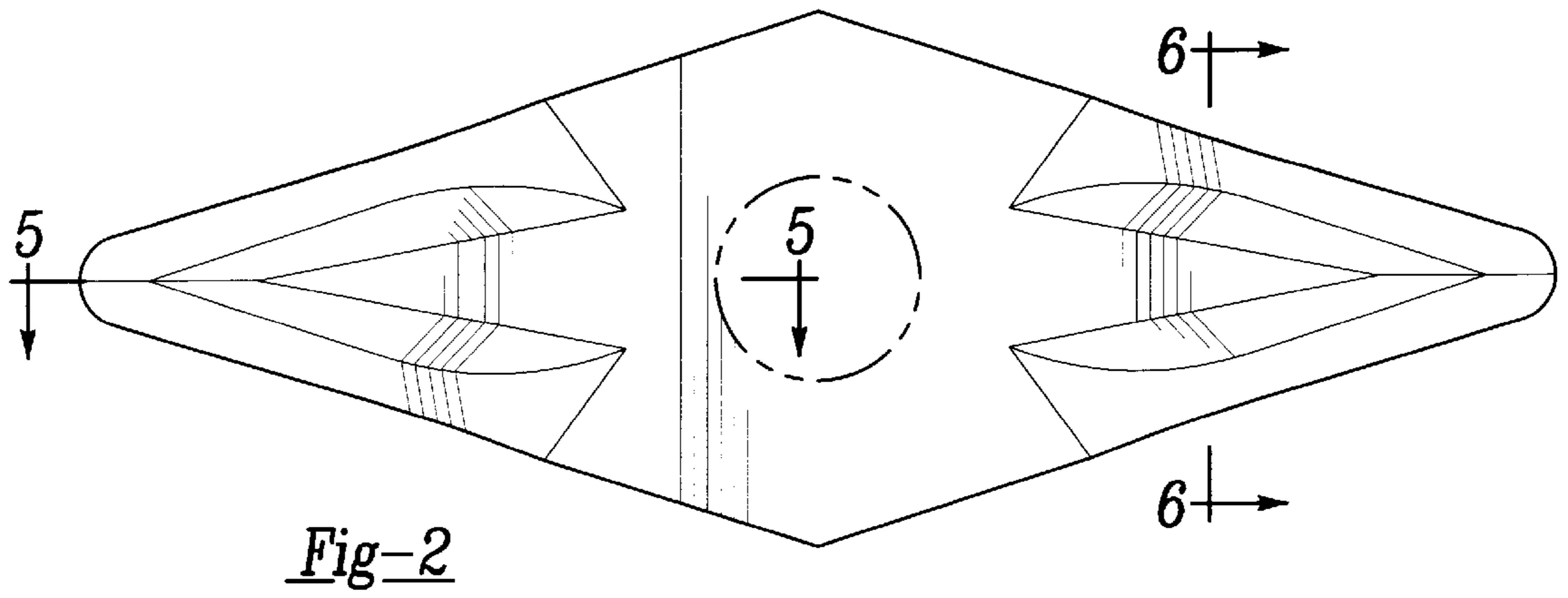
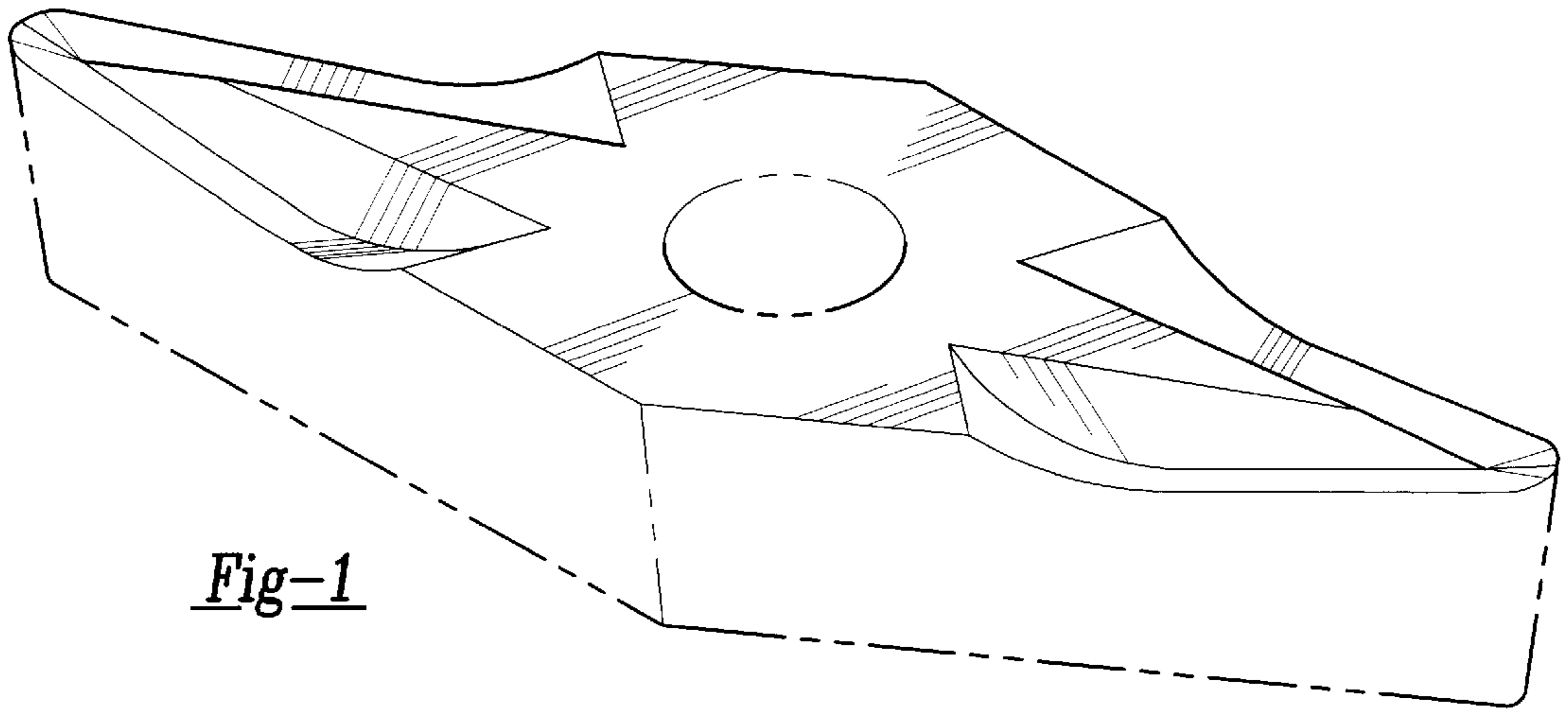


Fig-3

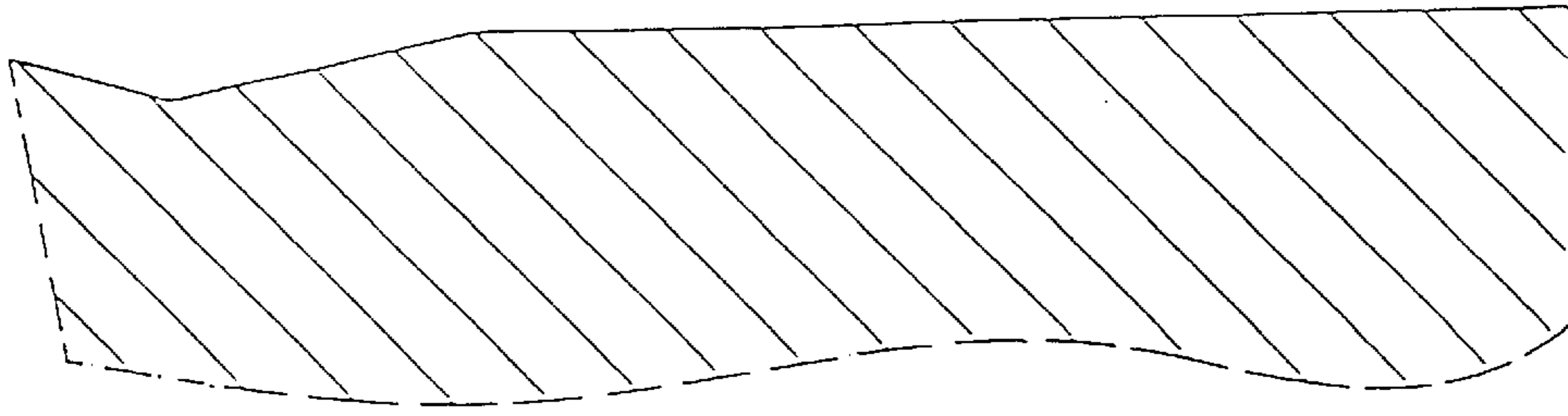


Fig-4

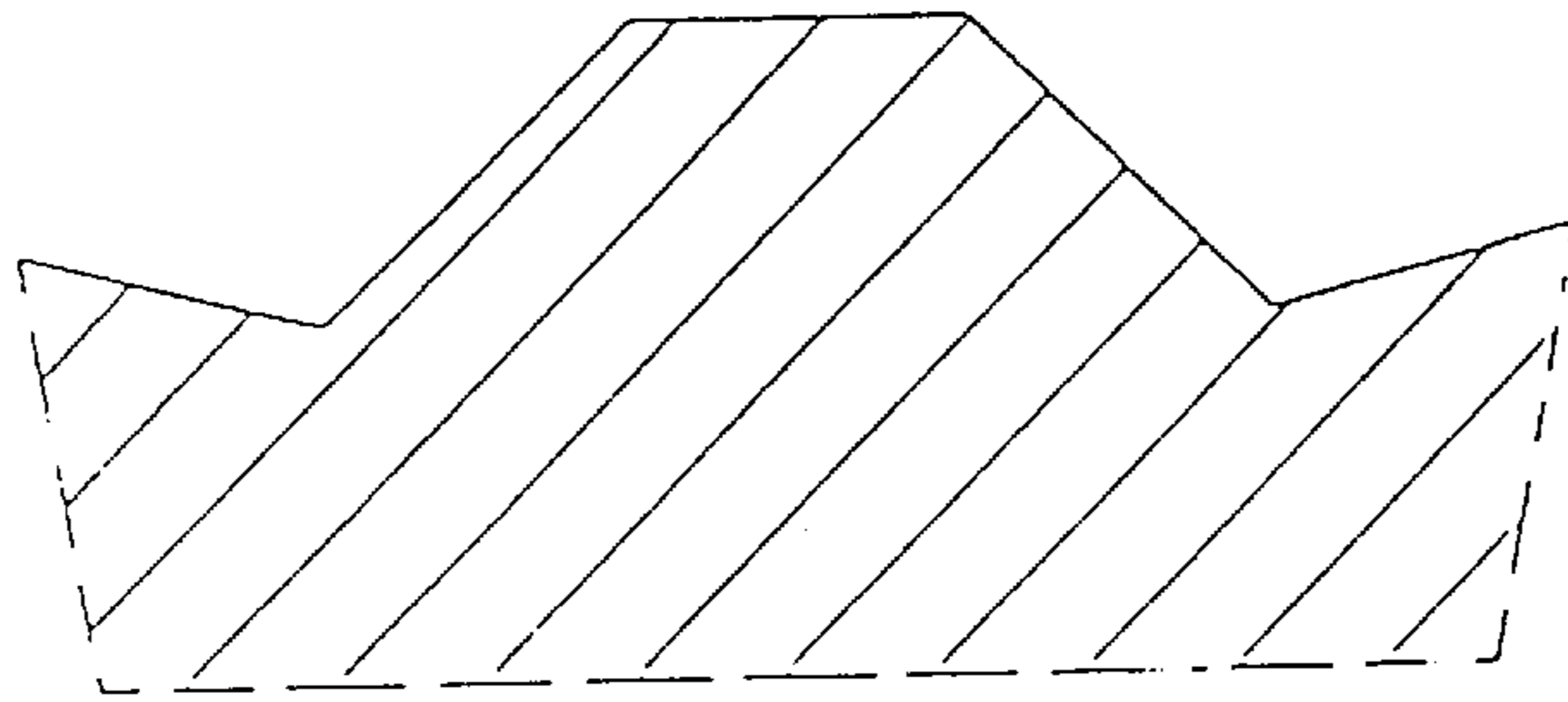


Fig-5

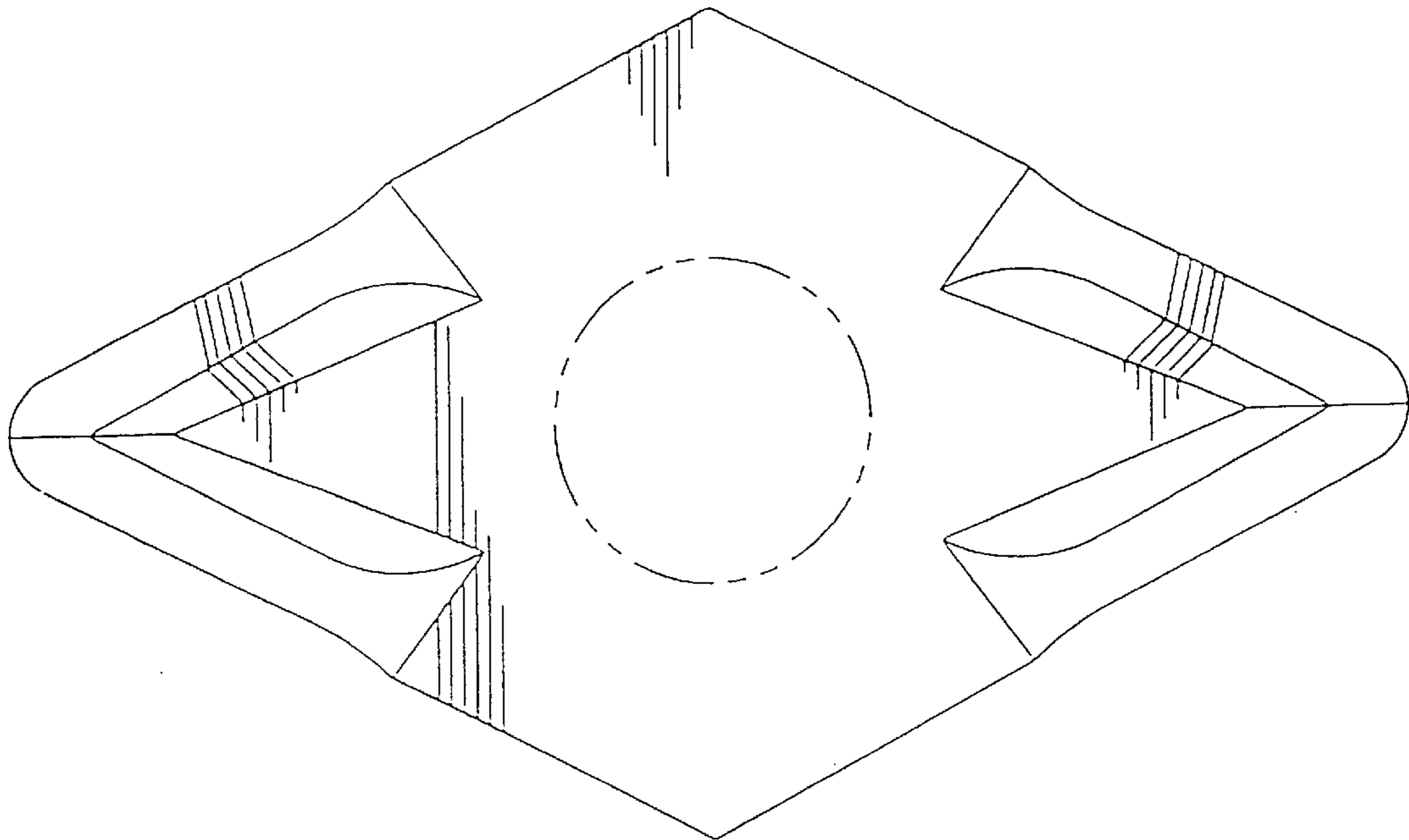


Fig-6

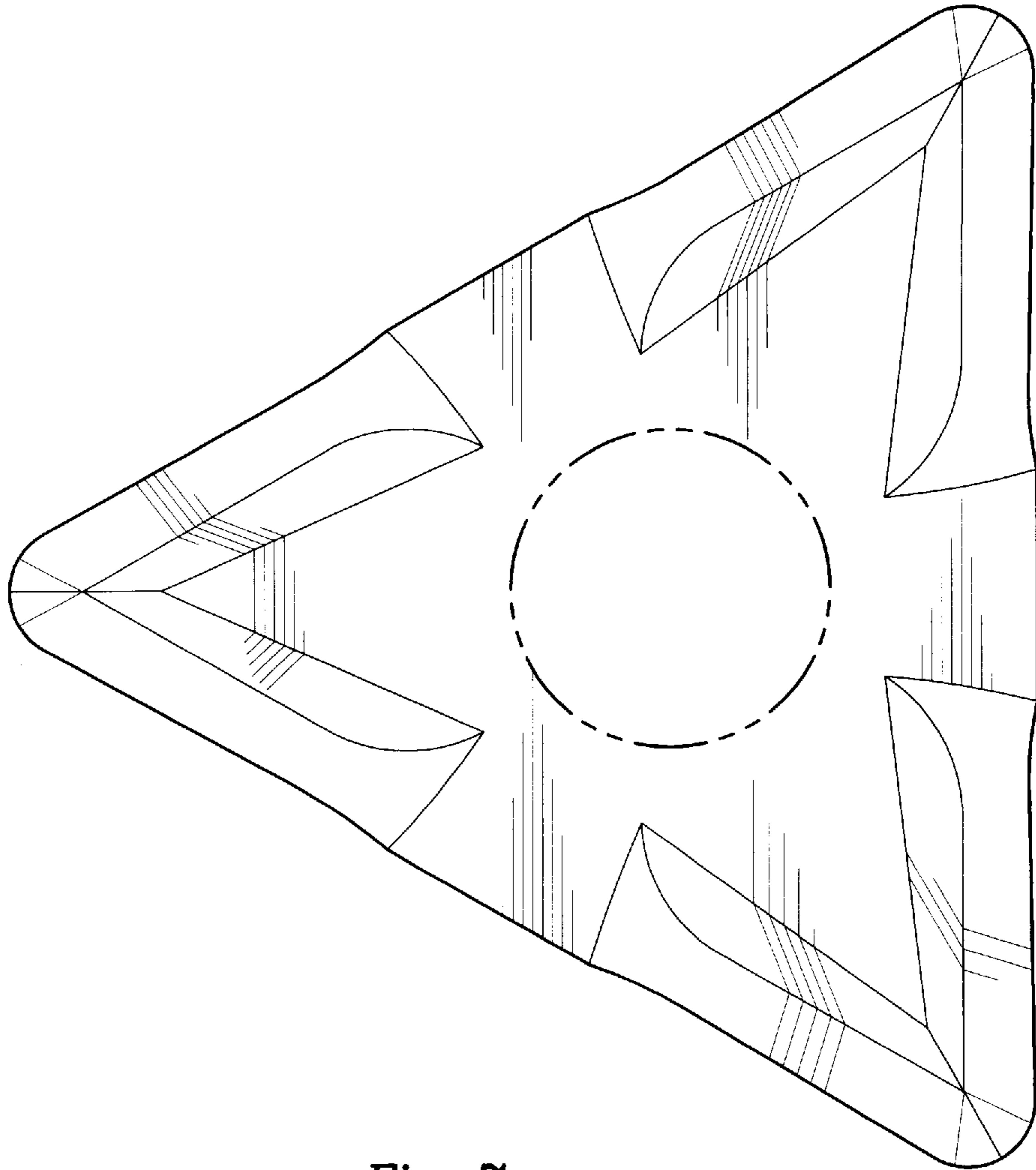


Fig-7