



US00D404743S

United States Patent [19]

Satran et al.

[11] **Patent Number: Des. 404,743**

[45] **Date of Patent: **Jan. 26, 1999**

[54] **CARTRIDGE FOR A CUTTING INSERT**

[75] Inventors: **Amir Satran; Yaron Eizen**, both of Kfar Vradim, Israel

[73] Assignee: **Iscar Ltd.**, Migdal Tegen, Israel

[**] Term: **14 Years**

[21] Appl. No.: **78,763**

[22] Filed: **Nov. 3, 1997**

[30] **Foreign Application Priority Data**

May 7, 1997 [IL] Israel 27914

[51] **LOC (6) Cl.** **15-09**

[52] **U.S. Cl.** **D15/139**

[58] **Field of Search** D15/139; 407/112-119

[56] **References Cited**

U.S. PATENT DOCUMENTS

4,755,085 7/1988 Muren et al. 407/113

Primary Examiner—Antoine Duval Davis
Attorney, Agent, or Firm—Pennie & Edmonds LLP

[57] **CLAIM**

The ornamental design for a cartridge for a cutting insert, as shown.

DESCRIPTION

FIG. 1 is a perspective view of the cartridge for a cutting insert;

FIG. 2 is a front view thereof;

FIG. 3 is a top view thereof;

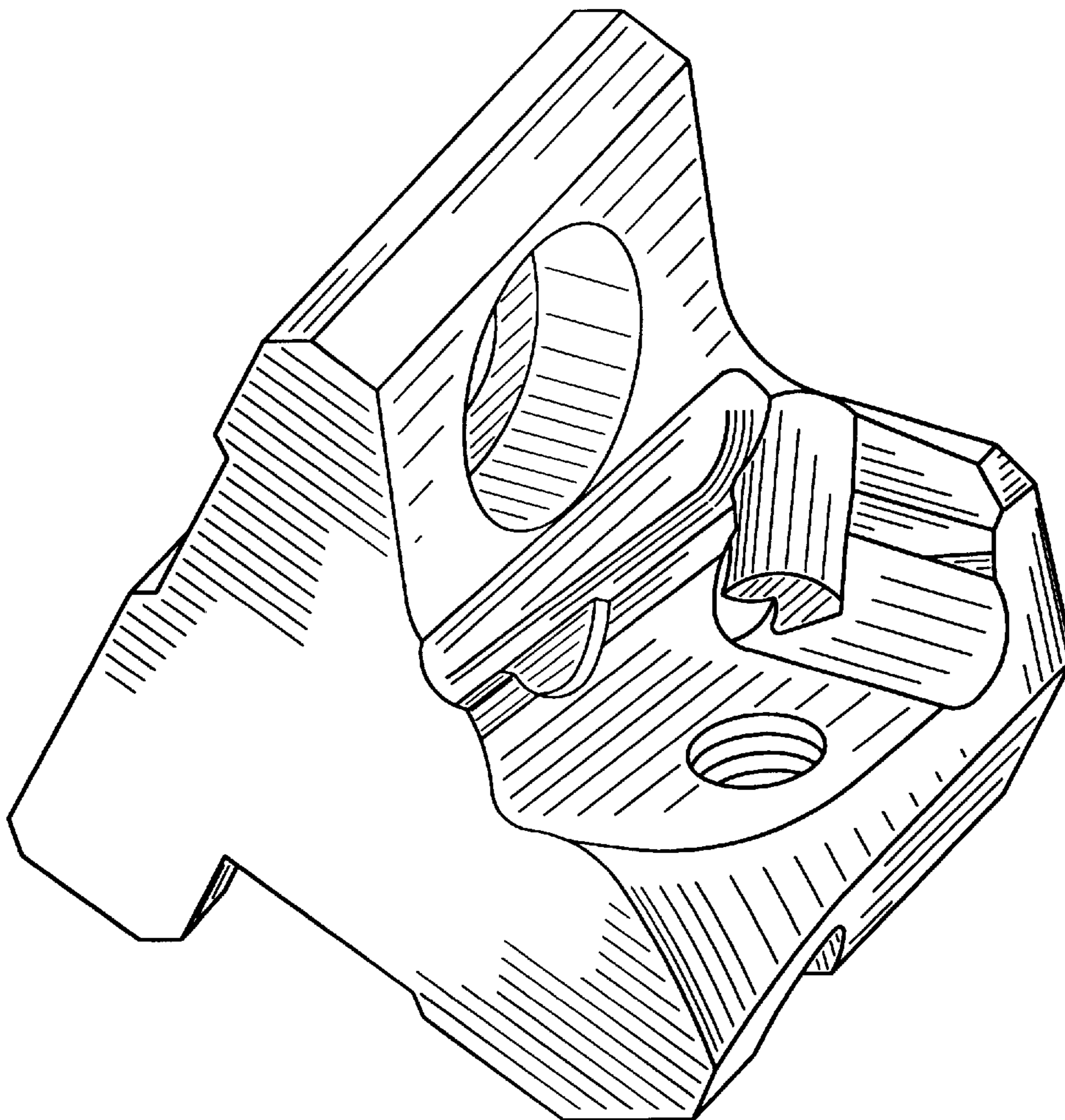
FIG. 4 is a bottom view thereof;

FIG. 5 is a rear view thereof;

FIG. 6 is a right side view thereof; and,

FIG. 7 is a left side view thereof.

1 Claim, 4 Drawing Sheets



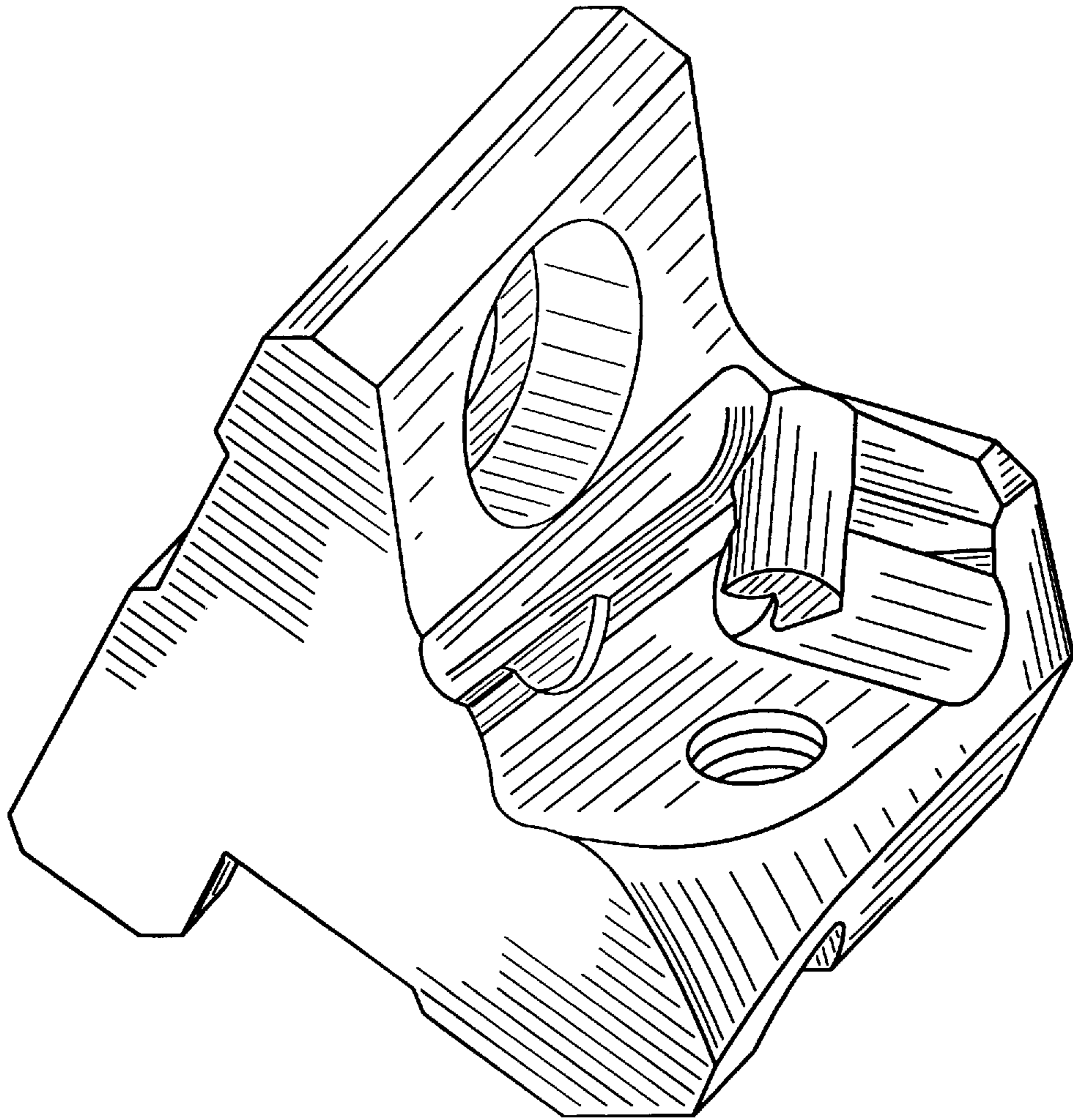


FIG. 1

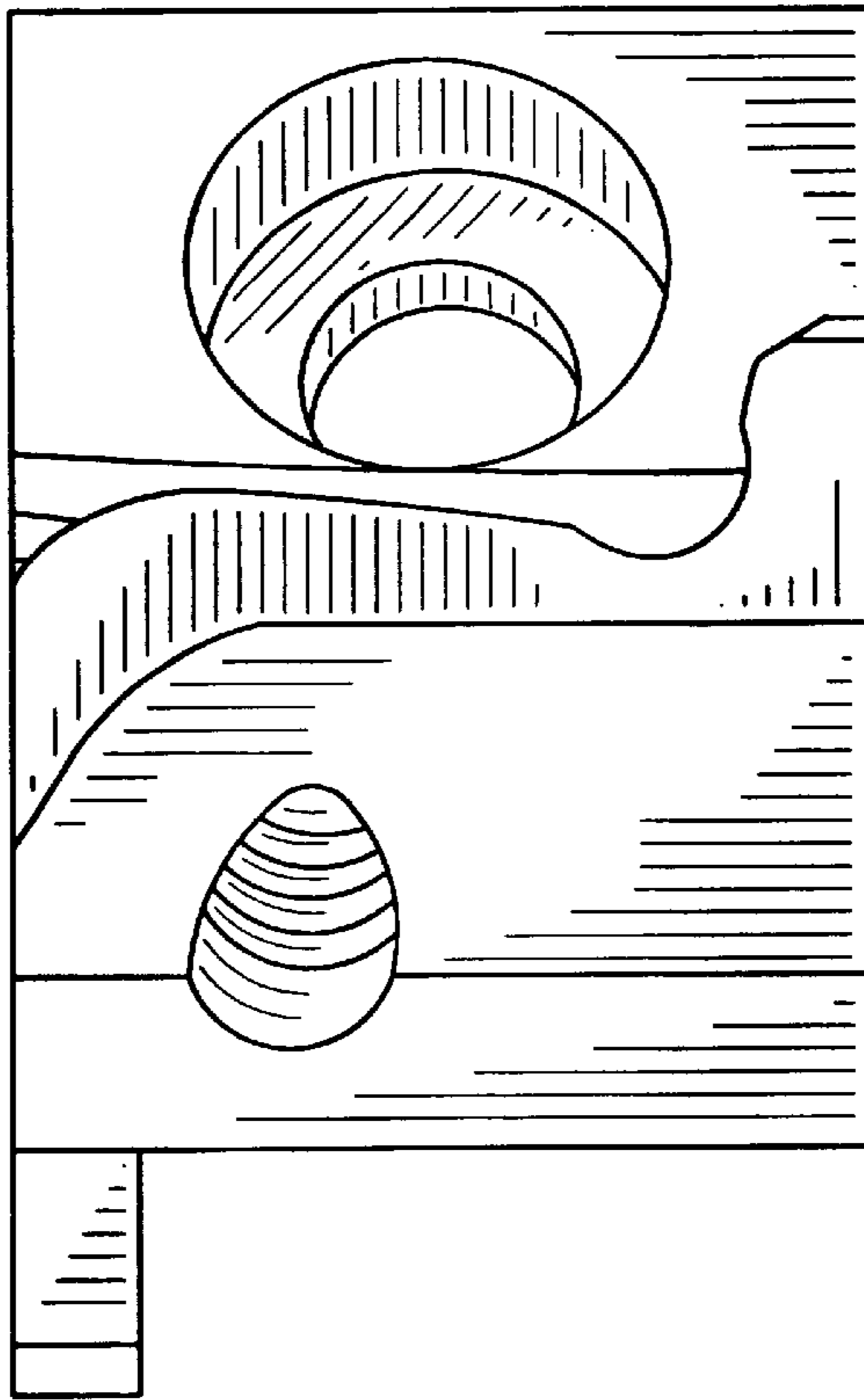


FIG. 2

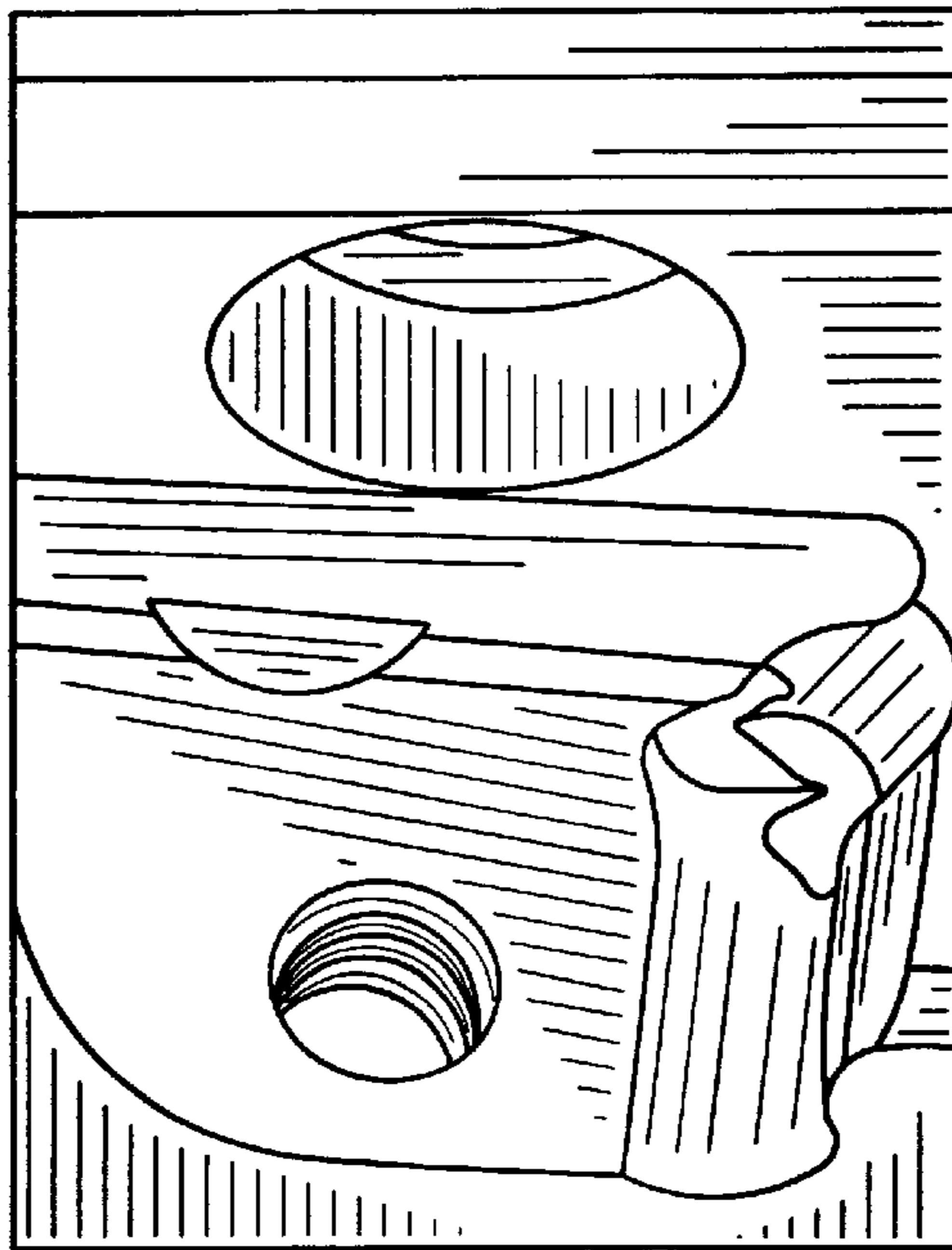


FIG. 3

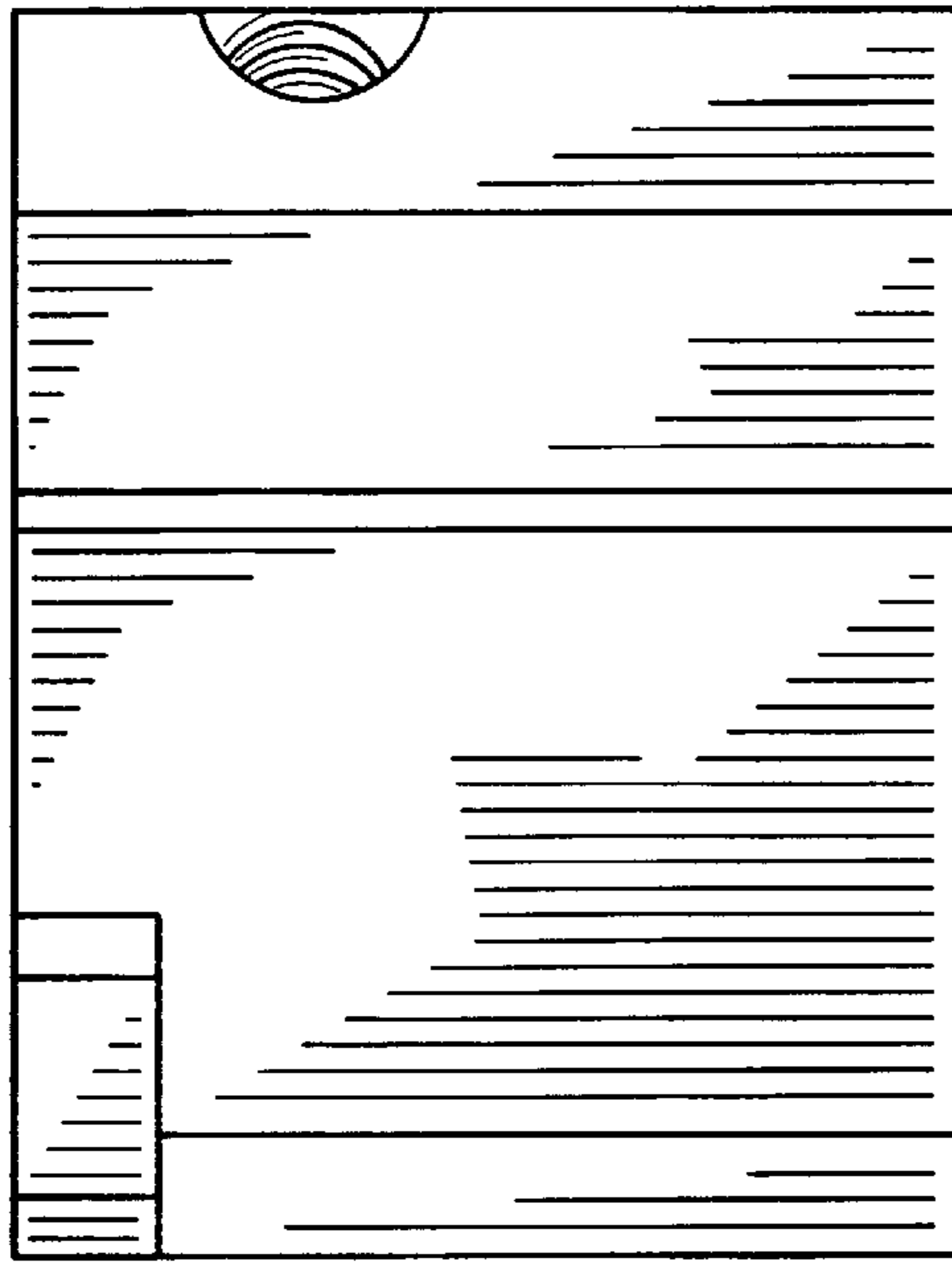


FIG. 4

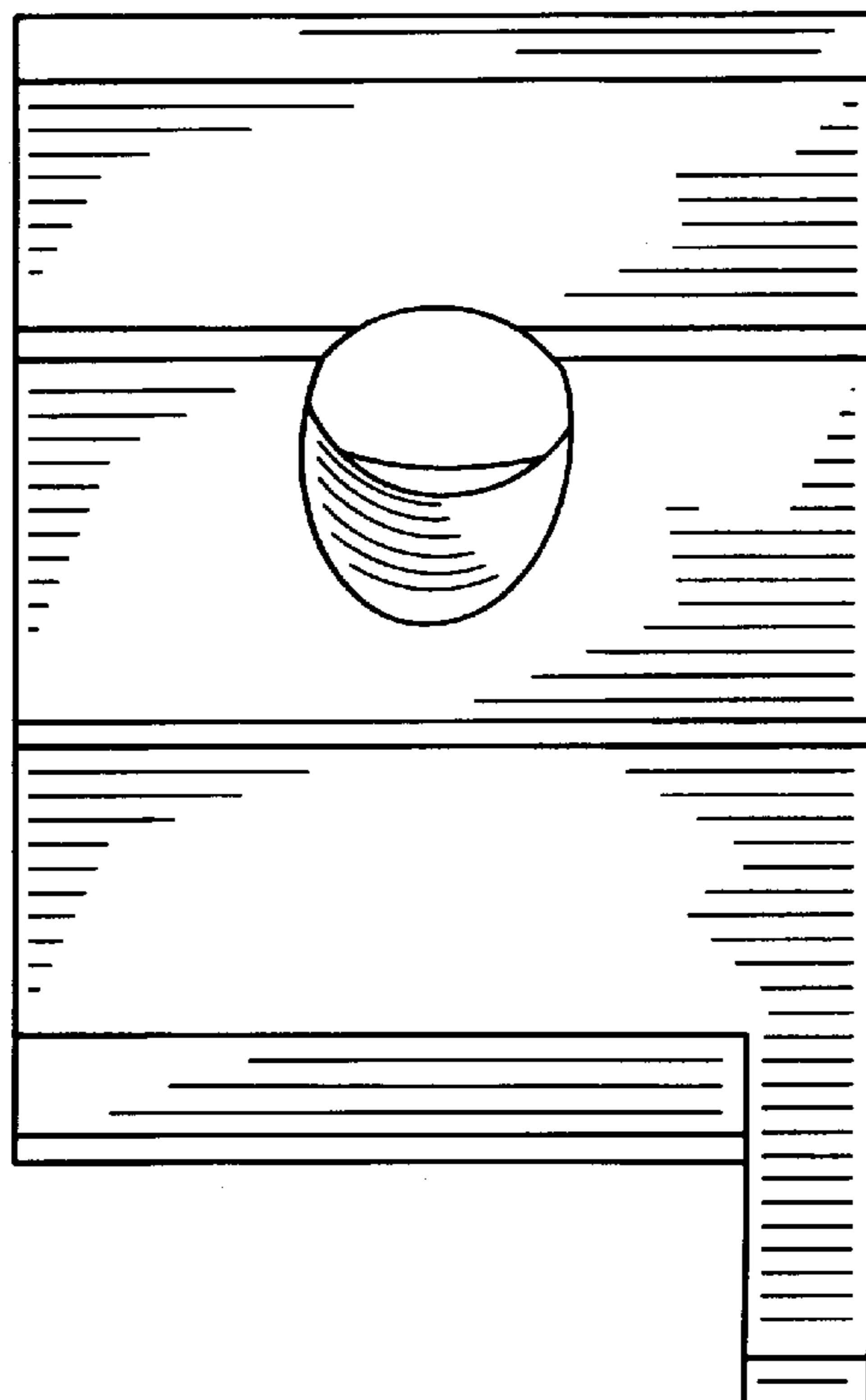


FIG. 5

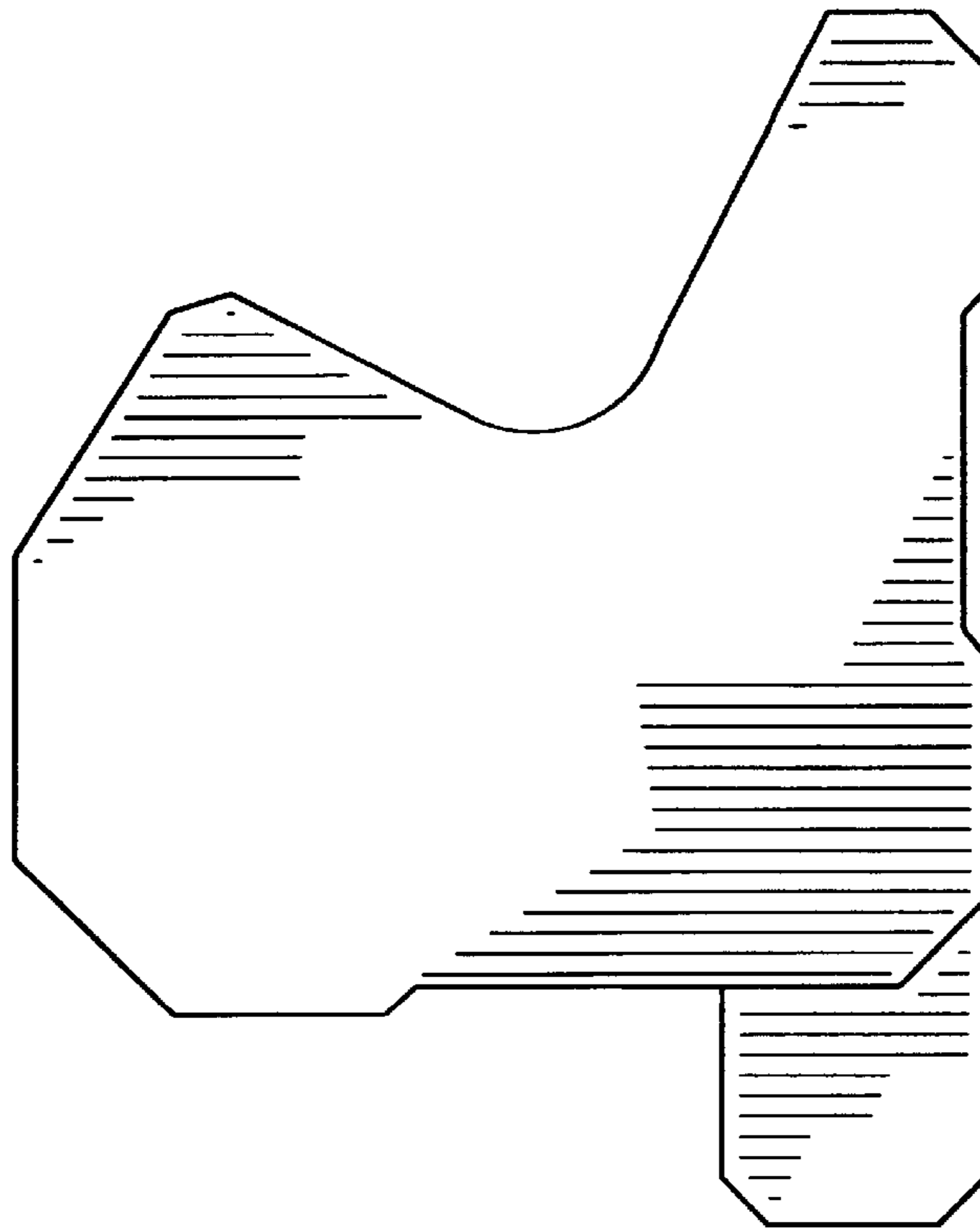


FIG. 6

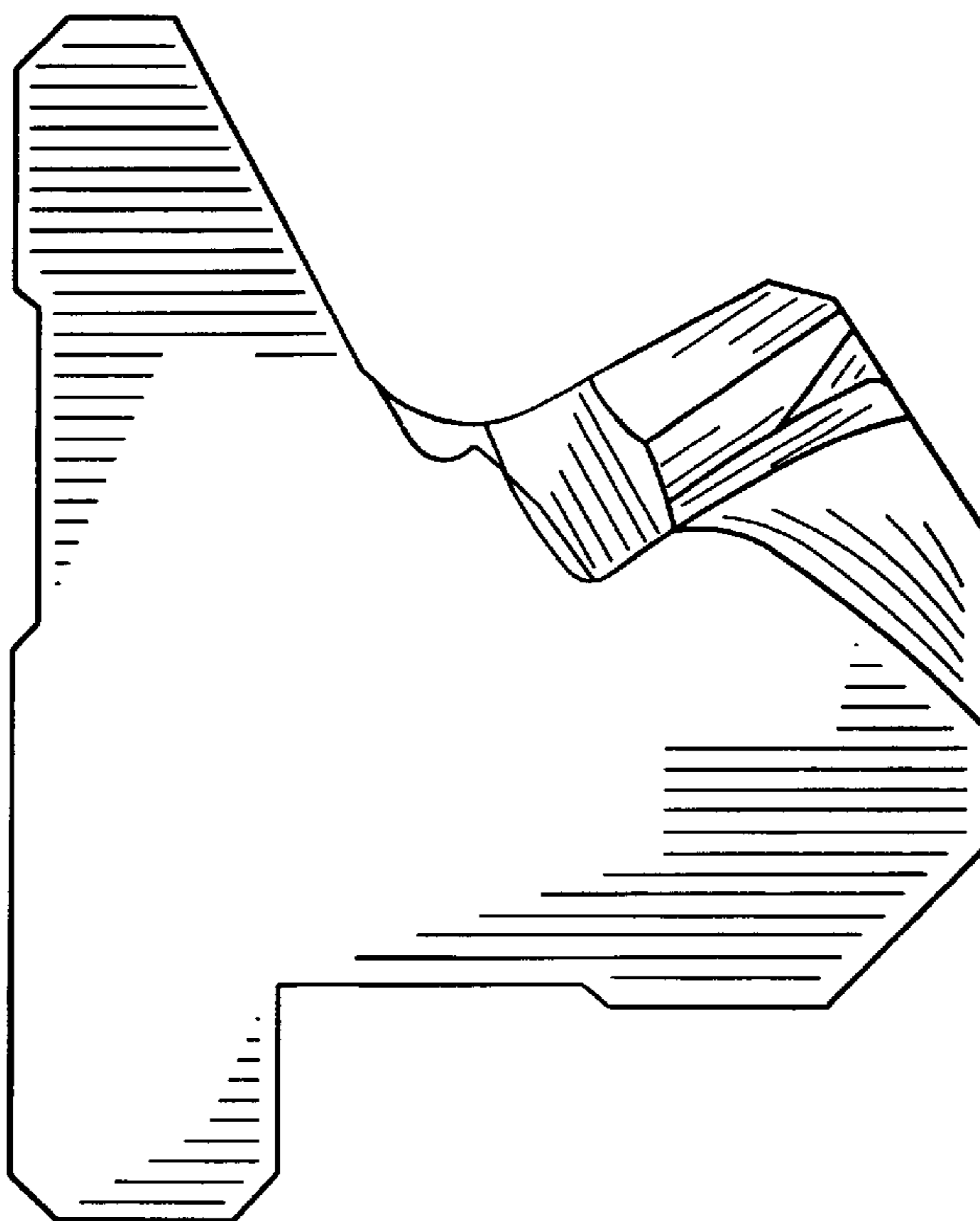


FIG. 7