



US00D404742S

# United States Patent [19]

Versaw, Jr. et al.

[11] Patent Number: Des. 404,742

[45] Date of Patent: \*\*Jan. 26, 1999

[54] **COMBINED INTEGRALLY FORMED TANK SUMP AND LID**

[75] Inventors: **Robert H. Versaw, Jr.; James W. Mosier**, both of Muskegon; **Daniel P. Nordstrom**, Twin Lake, all of Mich.

[73] Assignee: **Advanced Polymer Technology, Inc.**, Muskegon, Mich.

[\*\*] Term: **14 Years**

[21] Appl. No.: **83,576**

[22] Filed: **Feb. 12, 1998**

[51] **LOC (6) Cl.** ..... **15-02**

[52] **U.S. Cl.** ..... **D15/7**

[58] **Field of Search** ..... D15/7-9; 310/87; 73/40, 40.1, 40.5 R, 49.2, 49.5; 285/21; 137/565, 312; 417/411, 424.1, 423.3, 434, 367, 234; 415/199.2

[56] **References Cited**

**U.S. PATENT DOCUMENTS**

D. 309,308 7/1990 Webb ..... D15/7

D. 322,970 1/1992 Webb ..... D15/9.1  
D. 351,602 10/1994 Rosebraugh et al. .... D15/7  
1,714,734 5/1929 Skidmore, Jr. .... 137/565  
3,144,832 8/1964 Haynes ..... D15/7

*Primary Examiner*—Ralf Seifert  
*Attorney, Agent, or Firm*—Young & Basile, P.C.

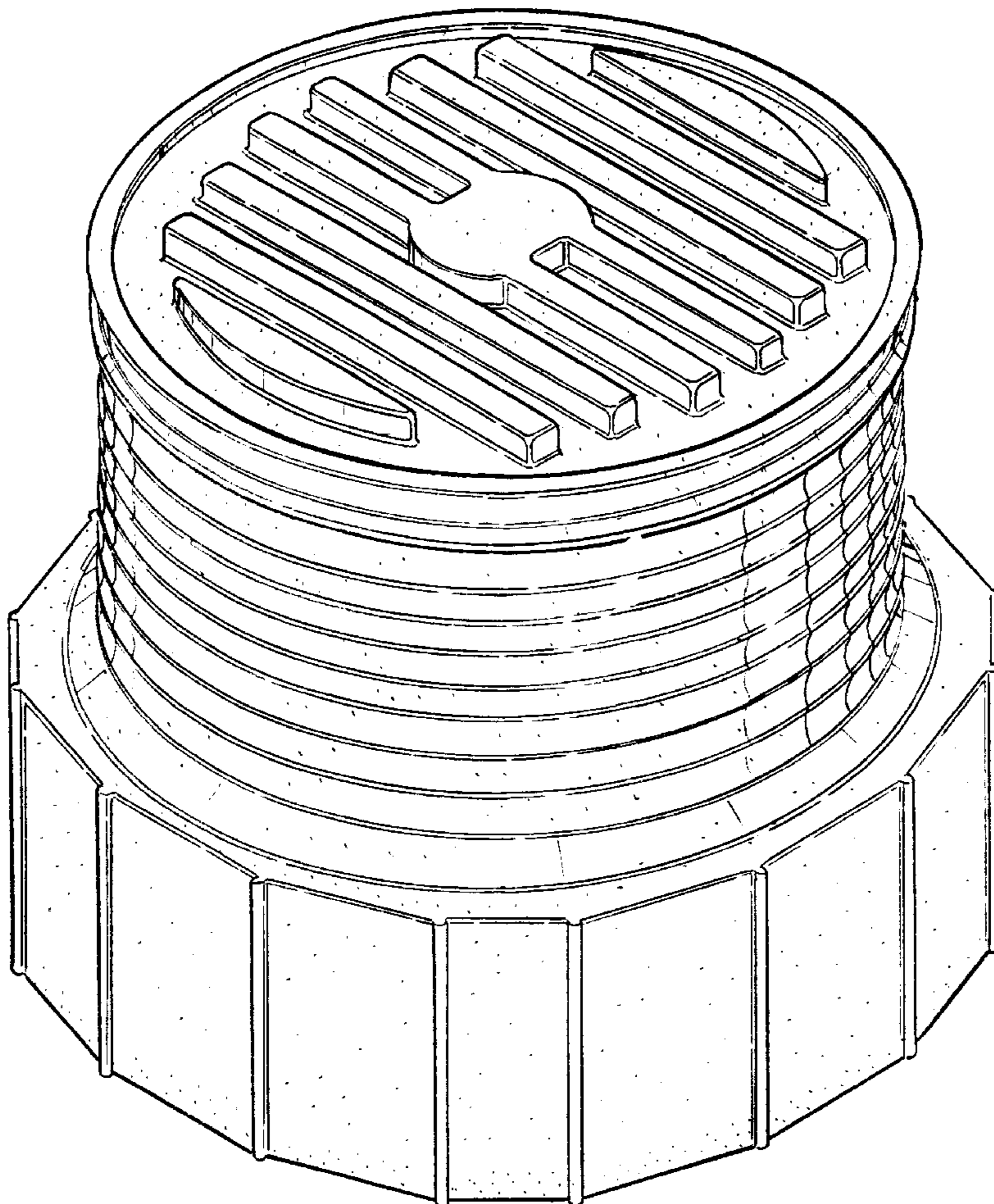
[57] **CLAIM**

The ornamental design for an combined integrally formed tank sump and lid, as shown and described.

**DESCRIPTION**

FIG. 1 is a perspective view of a combined integrally formed tank sump and lid showing our new design;  
FIG. 2 is a top plan view thereof;  
FIG. 3 is a front elevational view thereof, which is identical to the rear elevational view;  
FIG. 4 is a bottom plan view thereof; and,  
FIG. 5 is a left-side elevational view thereof, which is identical to the right-side elevational view.

**1 Claim, 3 Drawing Sheets**



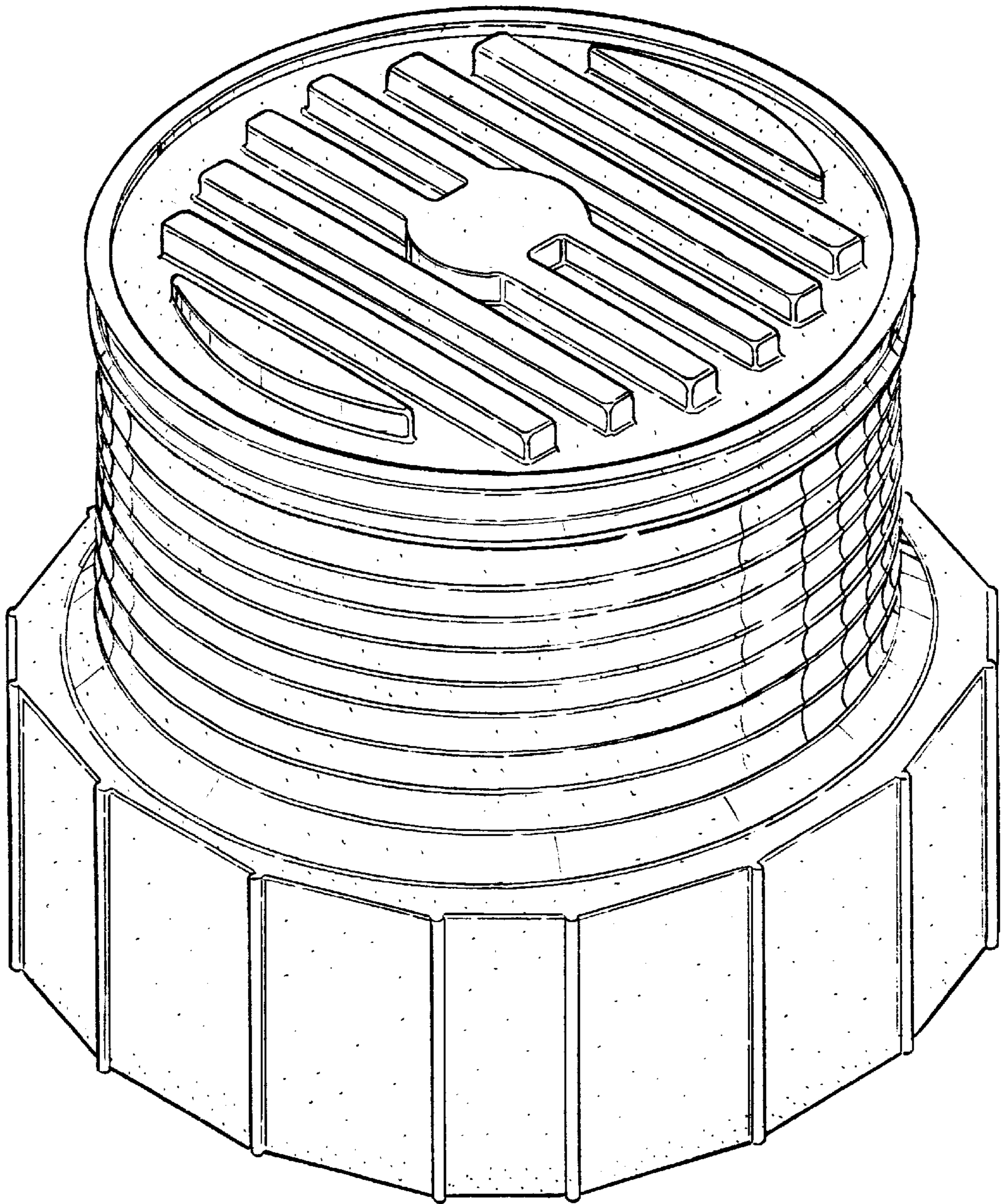


FIG-1



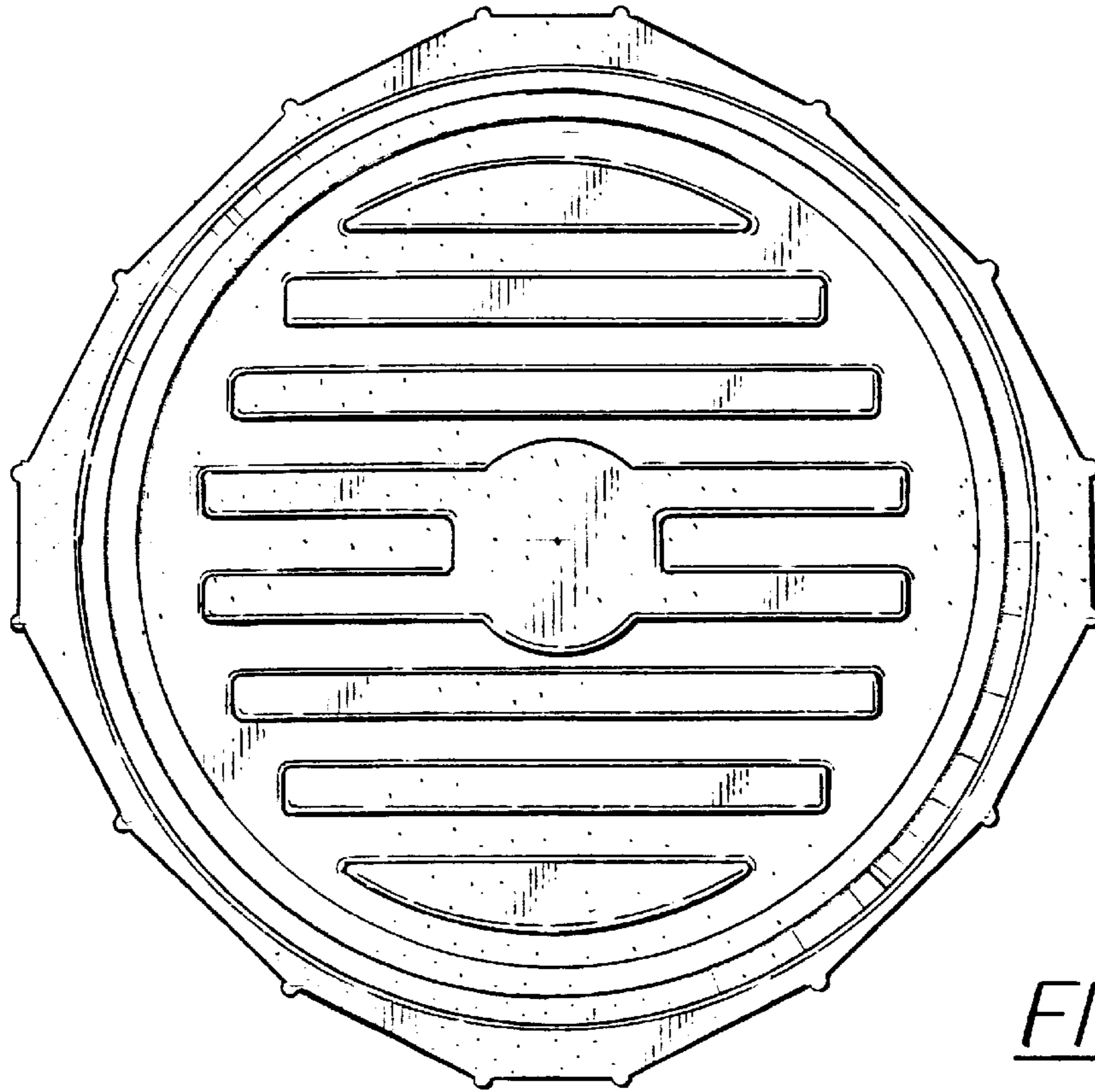


FIG-2

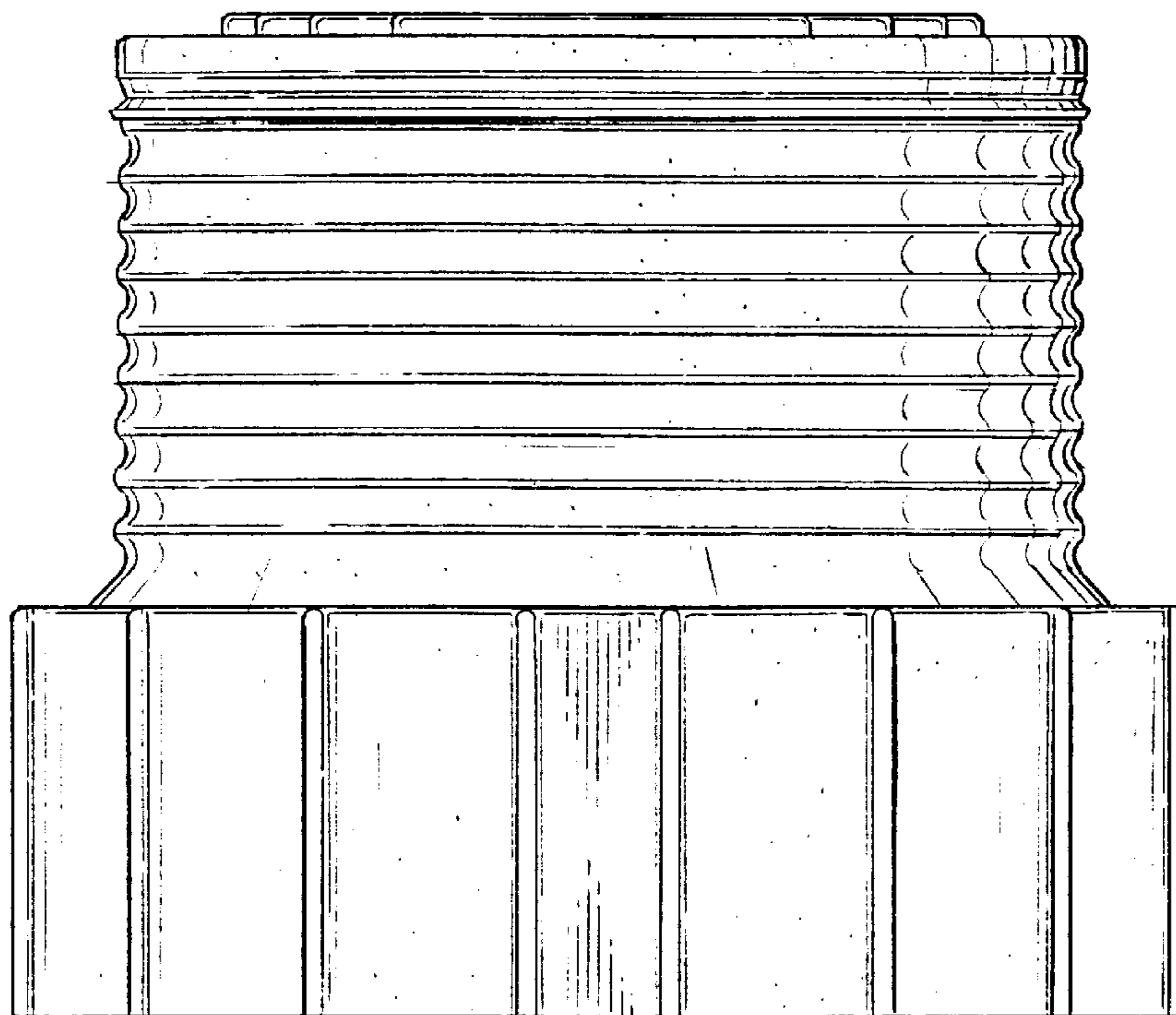


FIG-3

FIG-4

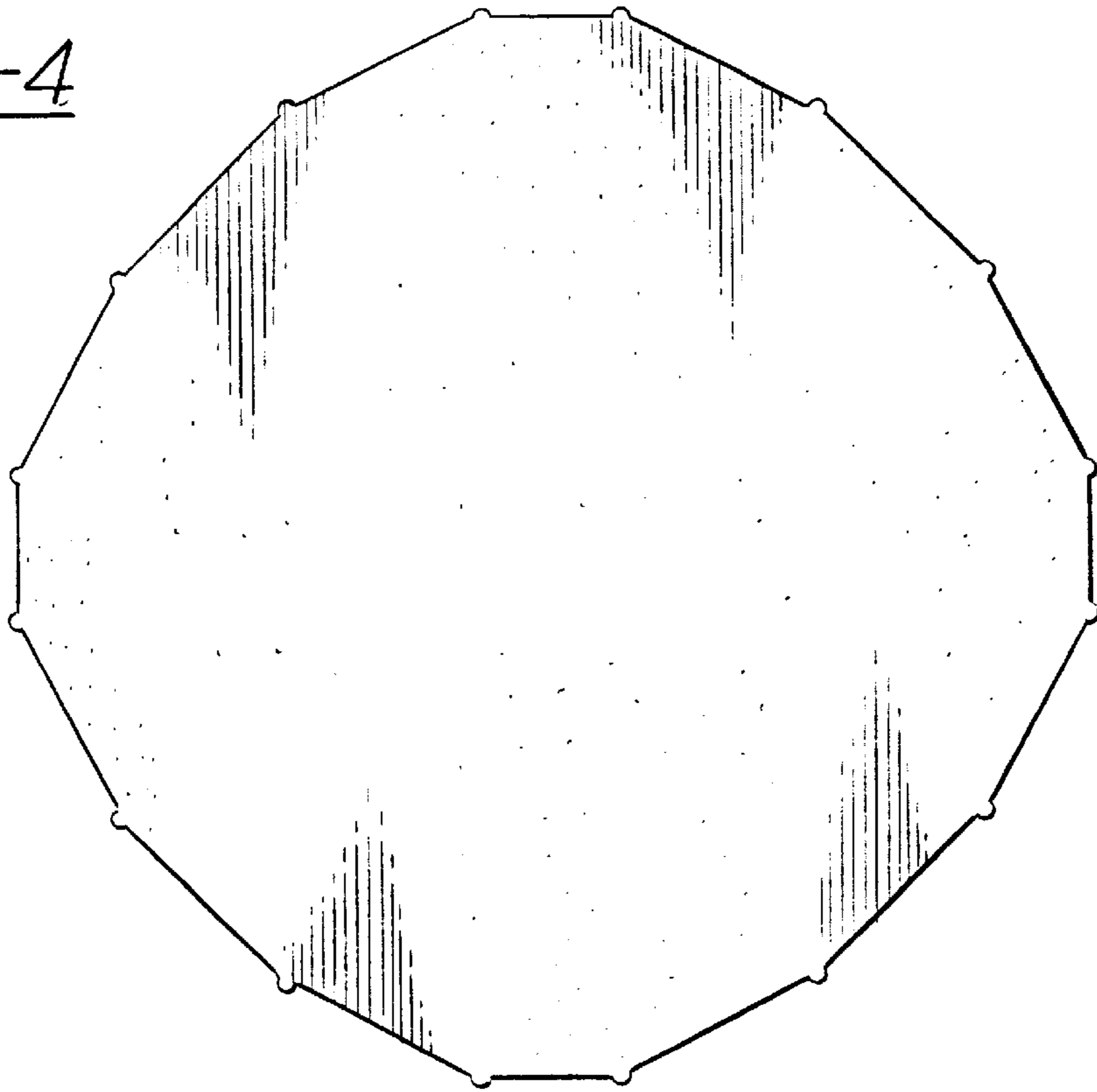


FIG-5

