



US00D404737S

**United States Patent** [19]  
**Ishihara**

[11] **Patent Number: Des. 404,737**

[45] **Date of Patent: \*\*Jan. 26, 1999**

[54] **CONVERTER FOR RECEIVING SIGNALS FROM A SATELLITE ANTENNA**

D. 329,052 9/1992 Keane et al. .... D14/238  
5,091,733 2/1992 Labruyere ..... 343/882  
5,448,254 9/1995 Schneeman et al. .... 343/781 R

[75] Inventor: **Makoto Ishihara**, Osaka-fu, Japan

[73] Assignee: **Sharp Kabushiki Kaisha**, Osaka, Japan

[\*\*] Term: **14 Years**

*Primary Examiner*—Ruth McInroy  
*Attorney, Agent, or Firm*—Nixon & Vanderhye

[21] Appl. No.: **50,499**

[57] **CLAIM**

The ornamental design for a converter for receiving signals from a satellite antenna, as shown and described.

[22] Filed: **Feb. 5, 1996**

**DESCRIPTION**

[51] **LOC (6) Cl.** ..... **14-03**

[52] **U.S. Cl.** ..... **D14/231**

[58] **Field of Search** ..... D14/230–238,  
D14/299; 343/872, 873, 878, 907, 908,  
909, 912, 761, 786, 781 R; 310/160

FIG. 1 is a left side elevational view of a converter for receiving signals from a satellite antenna with the dashed lines illustrating a support for the converter and an antenna, both of which do not form part of the present design but are shown for environmental purposes only;

FIG. 2 is a top plan view thereof;

FIG. 3 is a front elevational view thereof on an enlarged scale;

FIG. 4 is a right side elevational view thereof;

FIG. 5 is a rear elevational view thereof; and,

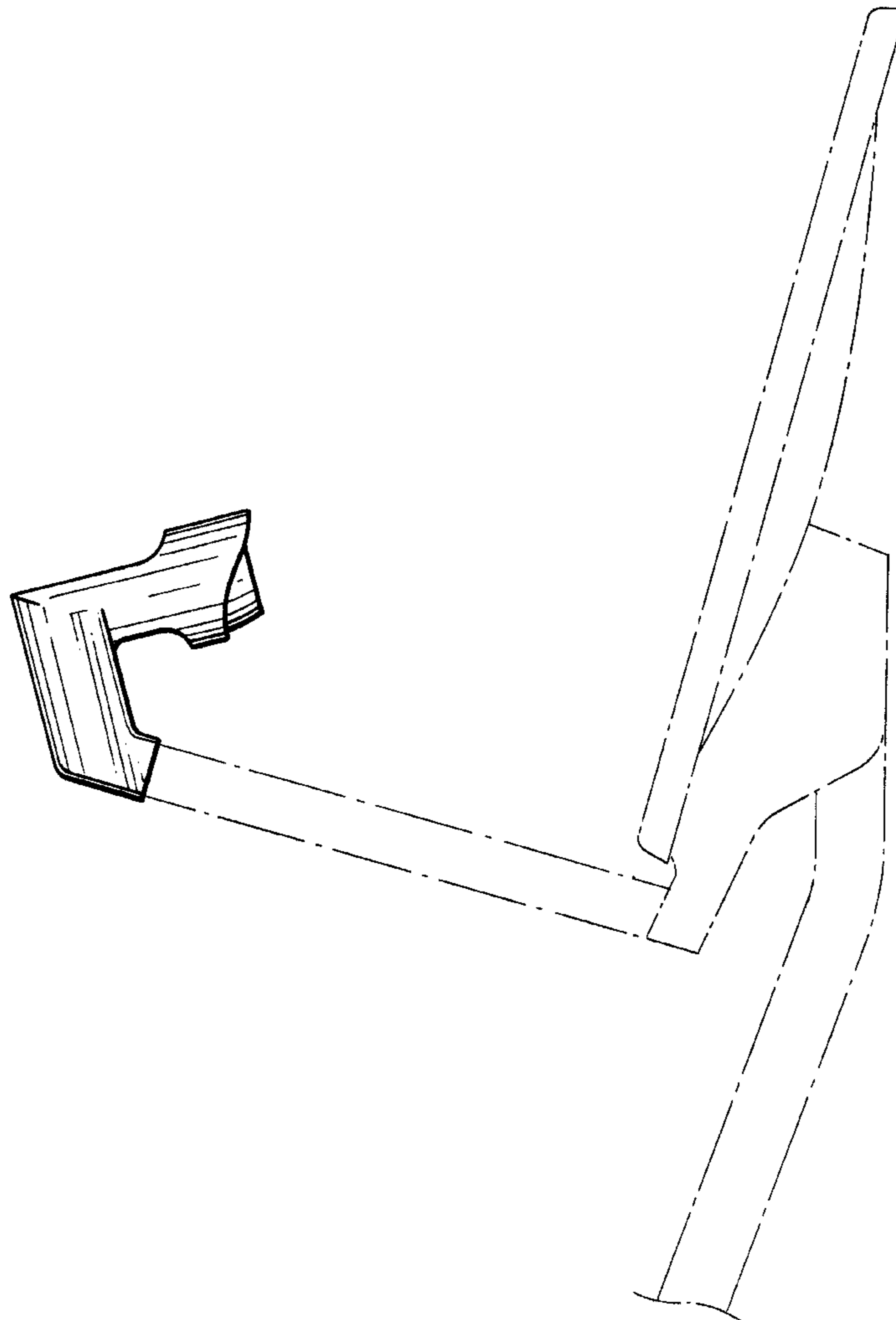
FIG. 6 is a bottom plan view thereof.

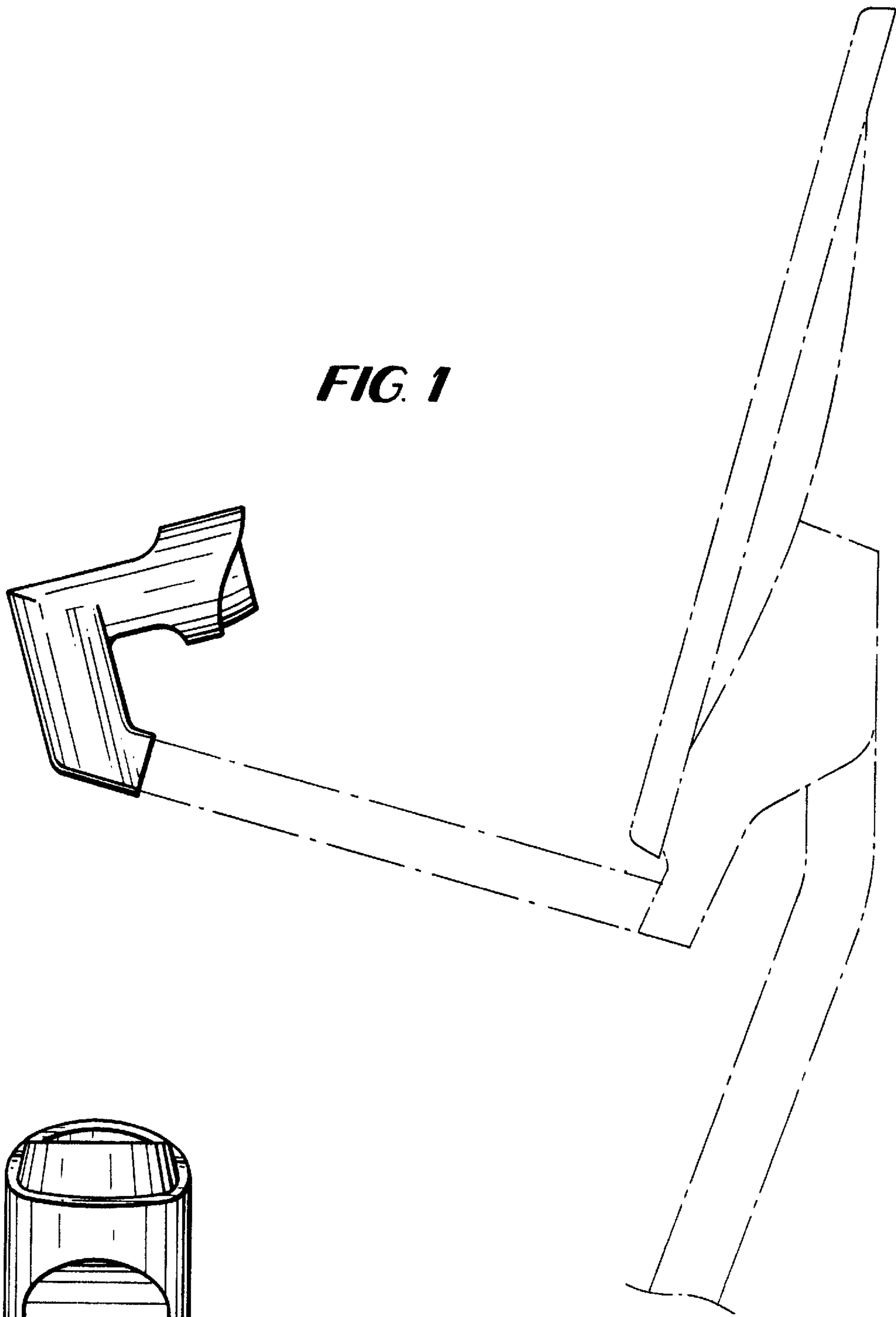
[56] **References Cited**

**U.S. PATENT DOCUMENTS**

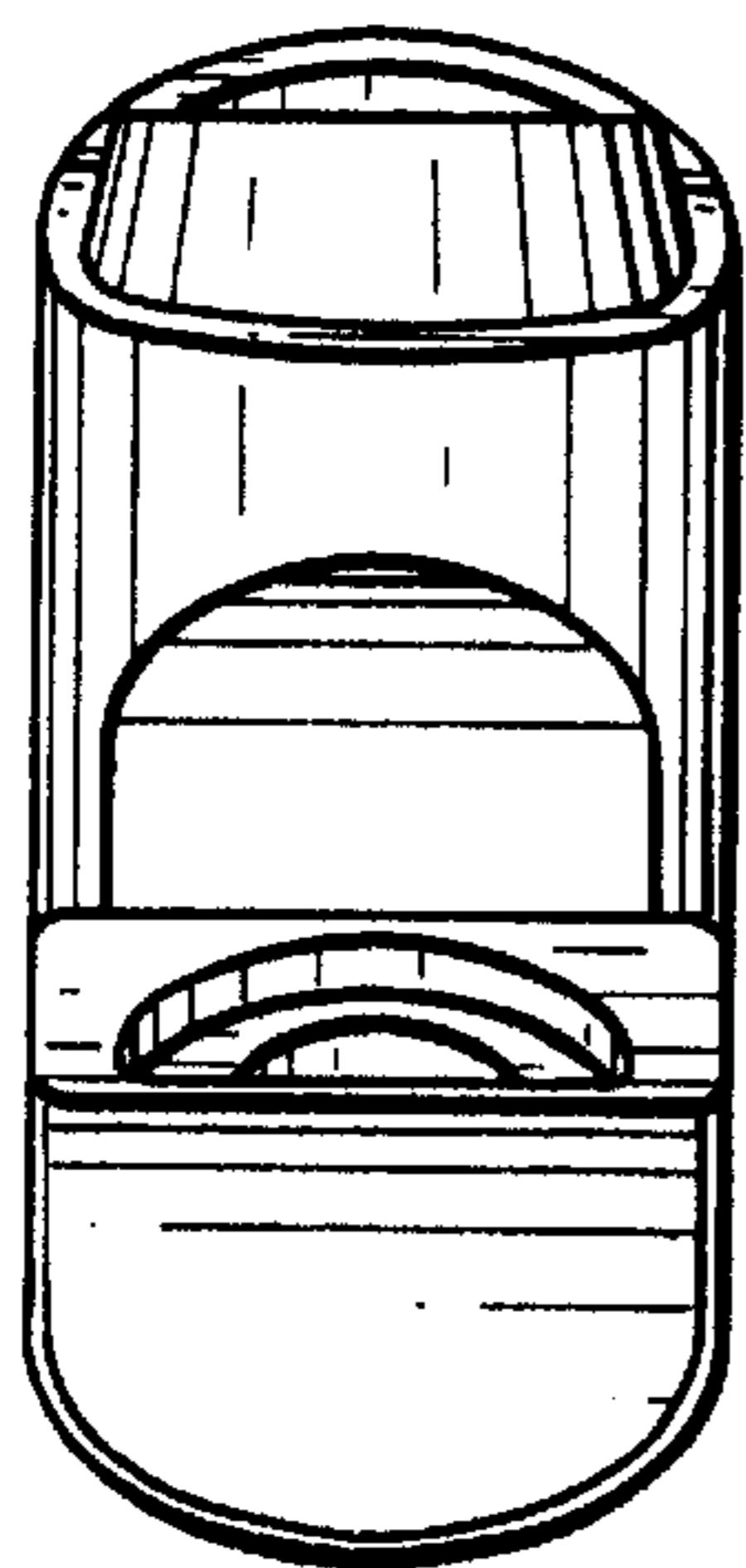
D. 288,322 2/1987 Goodman et al. .... D14/230  
D. 293,575 1/1988 Sugiura ..... D14/230  
D. 296,895 7/1988 Nakayama ..... D14/230  
D. 306,593 3/1990 Ono et al. .... D14/231

**1 Claim, 2 Drawing Sheets**

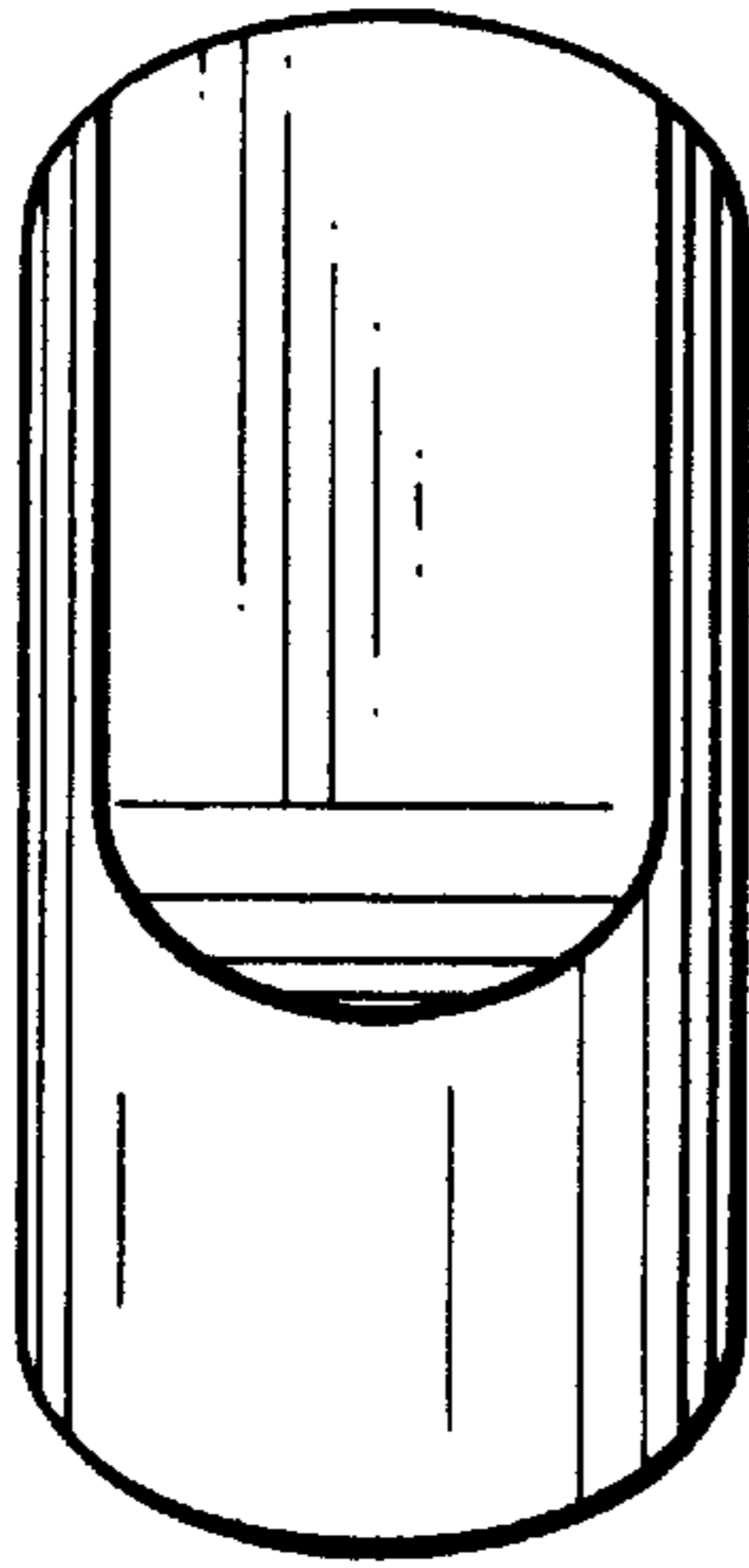




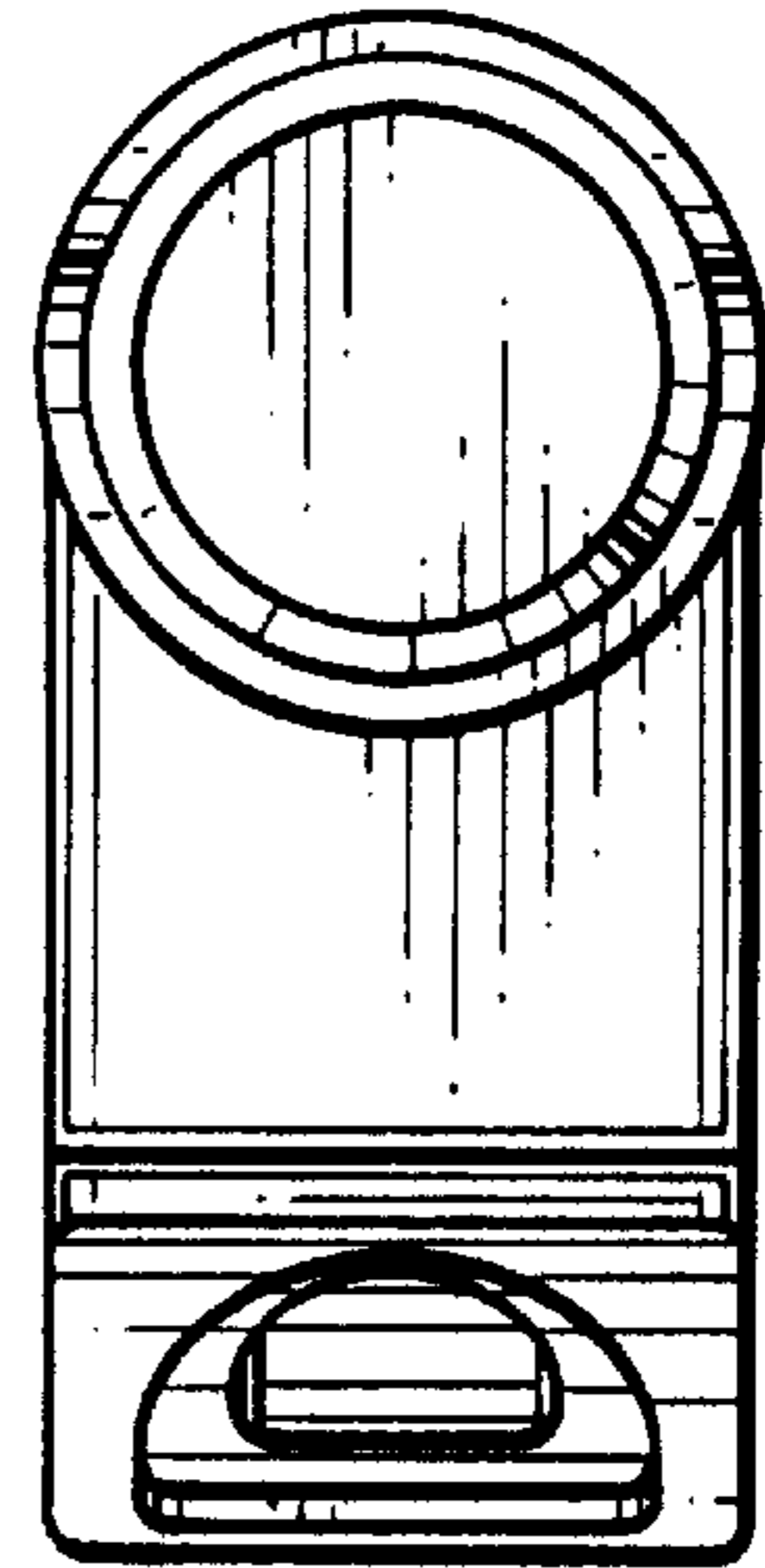
**FIG. 1**



**FIG. 6**

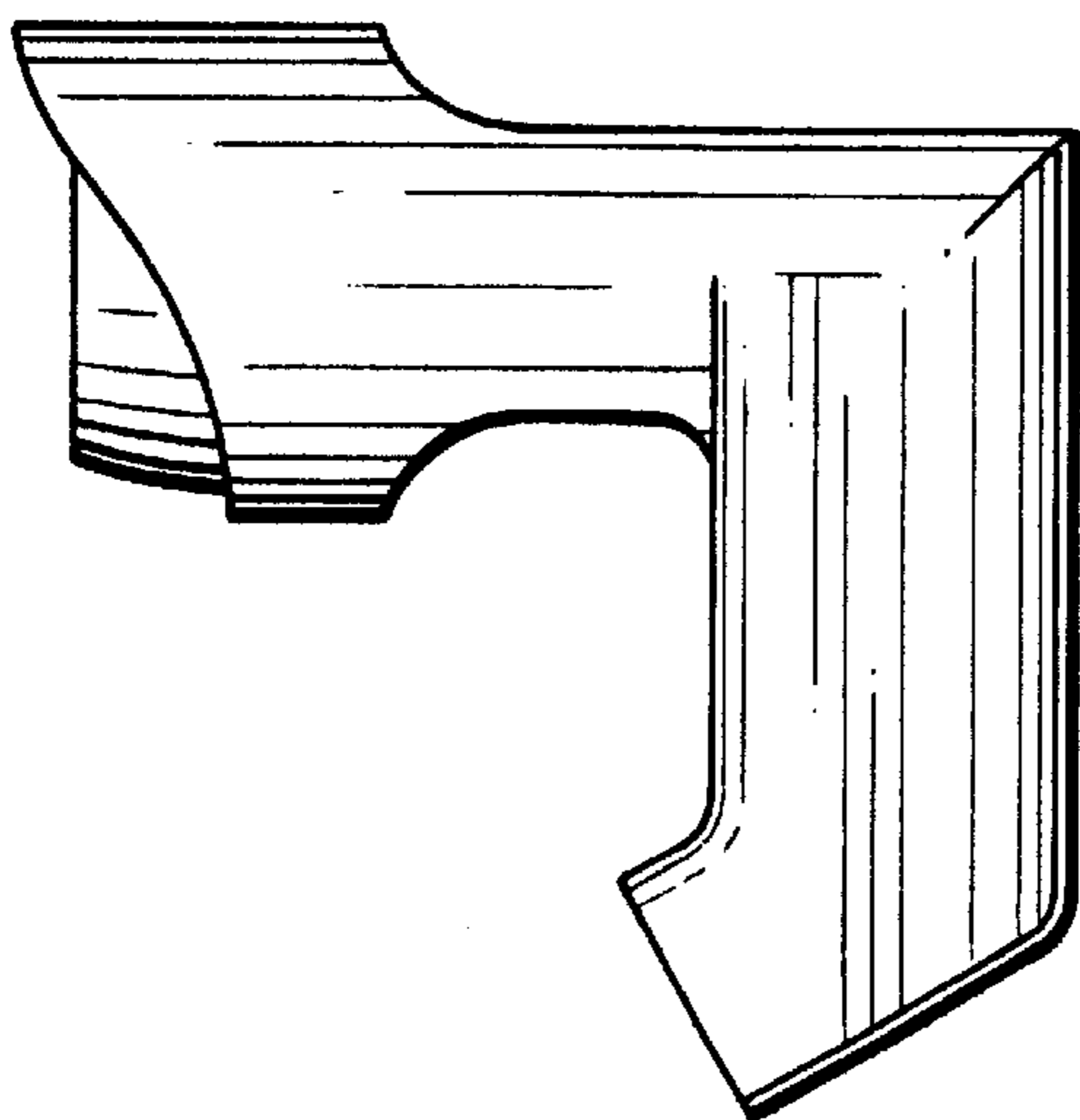


**FIG. 2**



**FIG. 3**

**FIG. 4**



**FIG. 5**

