



US00D404734S

United States Patent [19]

Andrea

[11] **Patent Number: Des. 404,734**

[45] **Date of Patent: **Jan. 26, 1999**

[54] **HEADSET DESIGN**

[75] Inventor: **Douglas Andrea**, Old Brookville, N.Y.

[73] Assignee: **Andrea Electronics Corporation**, Long Island City, N.Y.

[**] Term: **14 Years**

[21] Appl. No.: **81,764**

[22] Filed: **Jan. 9, 1998**

[51] **LOC (6) Cl.** **14-01**

[52] **U.S. Cl.** **D14/206**

[58] **Field of Search** D14/137-138,
D14/147, 205, 206, 223, 249, 192; 181/129,
130; 379/430, 431, 433; 381/25, 68, 69,
151, 183, 187

[56] **References Cited**

U.S. PATENT DOCUMENTS

- D. 337,116 7/1993 Hattori D14/206
- D. 365,559 12/1995 Fathi D14/249 X
- D. 377,020 12/1996 Bundgardt et al. D14/205

- 4,875,233 10/1989 Derhaag et al. D14/223 X
- 5,469,505 11/1995 Gattey et al. D14/206 X

OTHER PUBLICATIONS

Hello Direct catalog, dated 1991, p. 8, headset (left bottom).

Primary Examiner—Ted Shooman
Assistant Examiner—Nanda Bondade
Attorney, Agent, or Firm—Frommer Lawrence & Haug LLP; Thomas J. Kowalski; I. Marc Asperas

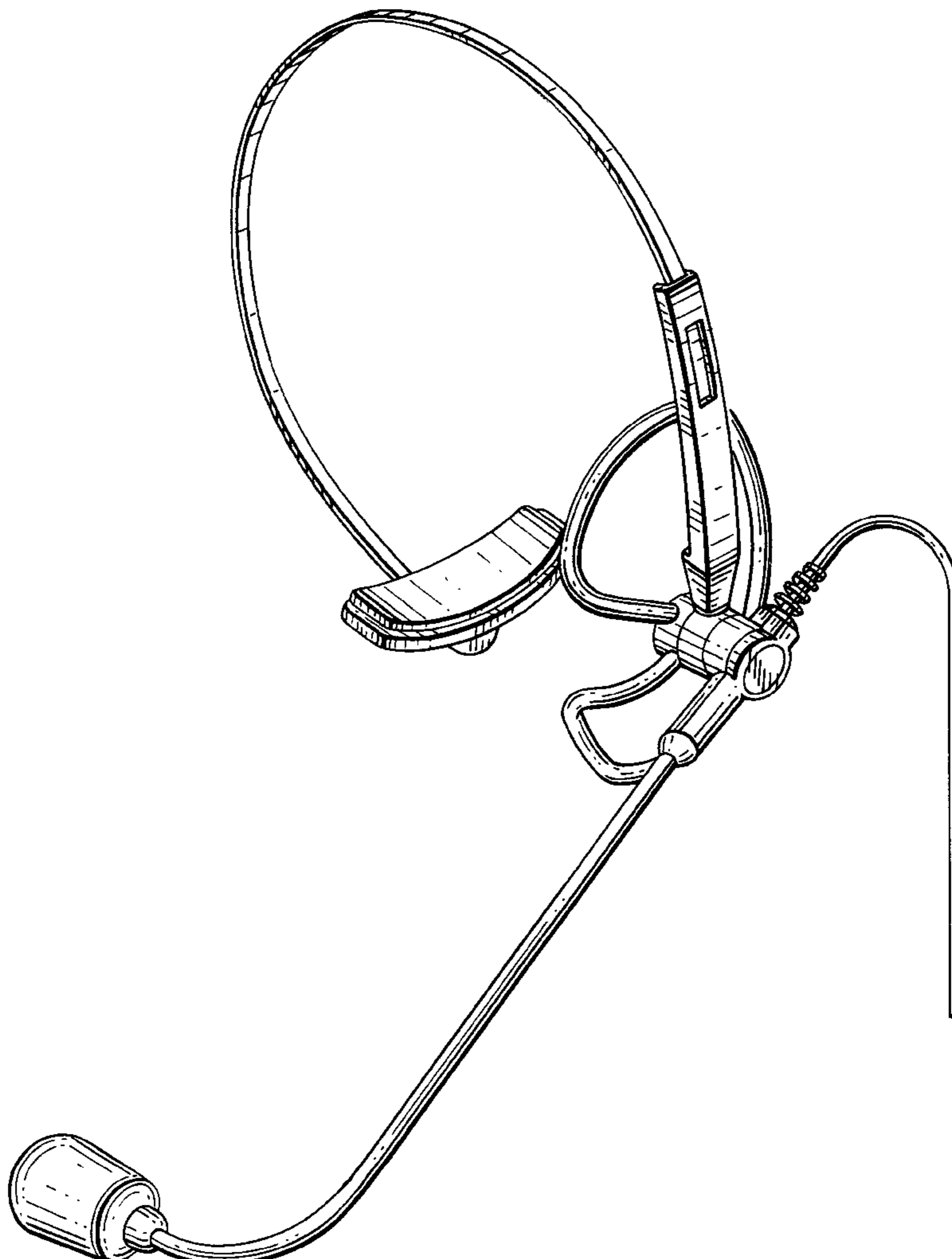
[57] **CLAIM**

The ornamental design for a headset, as shown and described.

DESCRIPTION

FIG. 1 is a perspective view of a headset showing my new design;
FIG. 2 shows a right-side view of the headset of FIG. 1; and,
FIG. 3 shows the front view of the headset in FIG. 1.
The surfaces not shown in FIGS. 1-3 do not form part of the claimed design.

1 Claim, 3 Drawing Sheets



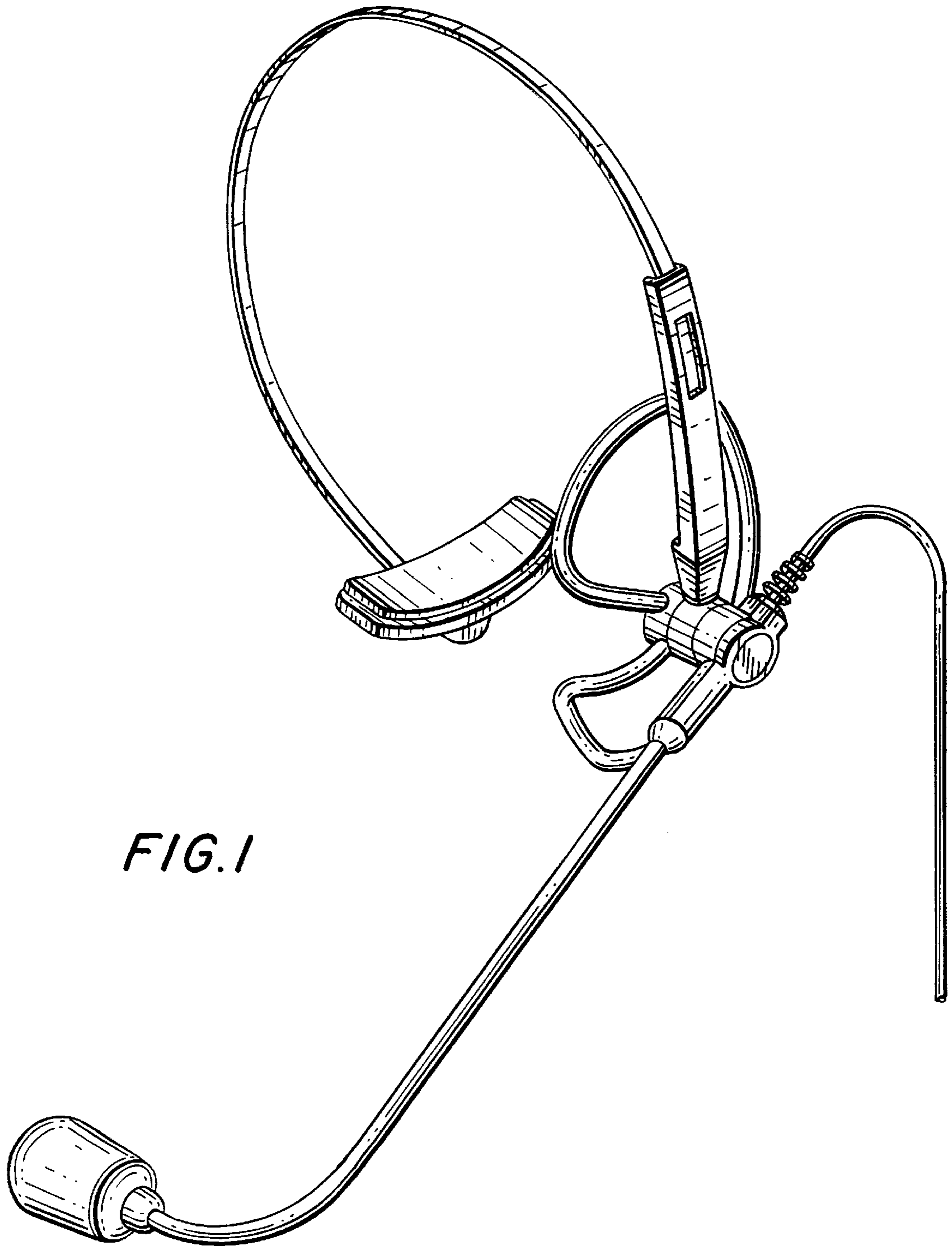
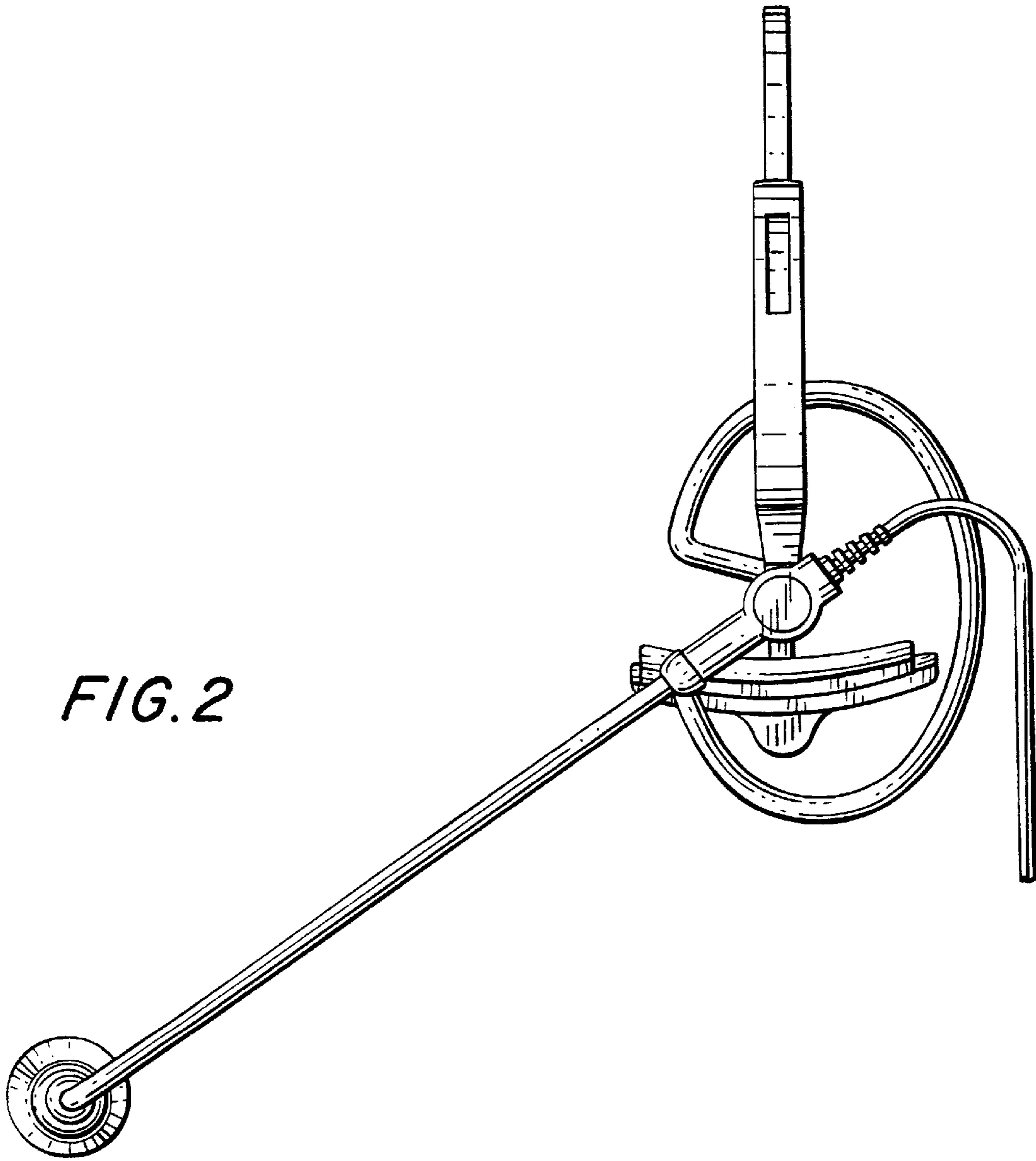


FIG. 1



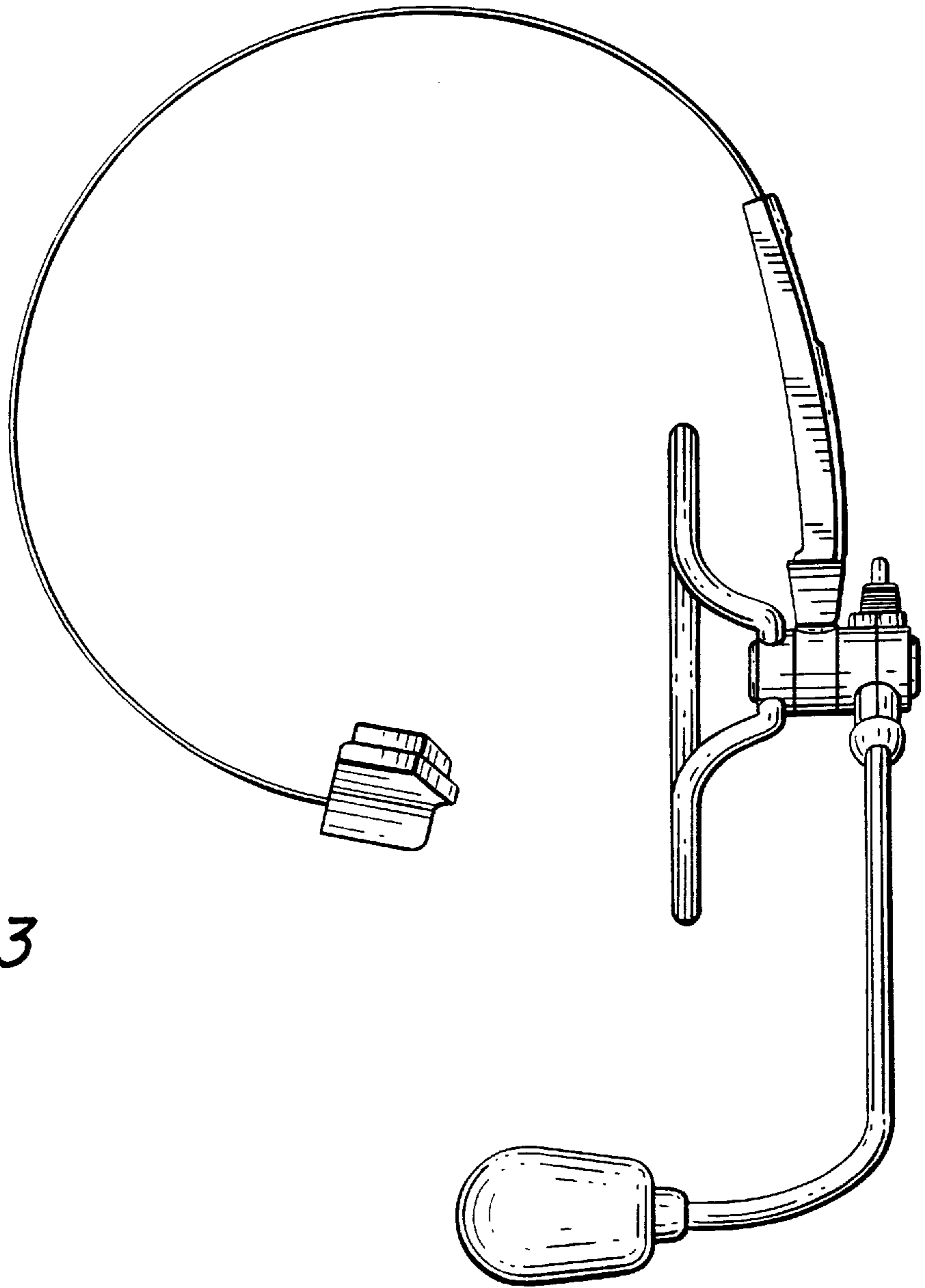


FIG. 3