



US00D404730S

# United States Patent [19]

Avery et al.

[11] Patent Number: Des. 404,730

[45] Date of Patent: \*\*Jan. 26, 1999

[54] FRONT PANEL FOR A COMPUTER DISK DRIVE

[75] Inventors: Timothy O. Avery, San Jose; Nicholas Brawne; Maaike Evers, both of San Francisco; Carl L. Engelbrecht, Los Gatos, all of Calif.

[73] Assignee: Iomega Corporation, Roy, Utah

[\*\*] Term: 14 Years

[21] Appl. No.: 76,497

[22] Filed: Sep. 18, 1997

[51] LOC (6) Cl. .... 14-02

[52] U.S. Cl. .... D14/115

[58] Field of Search ..... D14/100, 102, D14/107-109, 137, 156, 217, 257, 258; D13/162, 164, 177, 184, 199; D10/103; 312/223.2; 428/99; 361/600, 622

### [56] References Cited

#### U.S. PATENT DOCUMENTS

|            |         |                      |         |
|------------|---------|----------------------|---------|
| D. 359,279 | 6/1995  | Fujimura et al. .... | D14/115 |
| D. 365,089 | 12/1995 | Jackson et al. ....  | D14/115 |
| D. 375,728 | 11/1996 | Nicklos et al. ....  | D14/114 |
| D. 377,008 | 12/1996 | Nicklos et al. ....  | D14/100 |
| D. 377,644 | 1/1997  | Nicklos et al. ....  | D14/100 |
| 8,703,227  | 9/1996  | Patterson et al. .   |         |
| 8,710,638  | 9/1996  | Bishop et al. .      |         |
| 8,950,710  | 10/1997 | Nicklos et al. .     |         |
| 8,965,910  | 11/1997 | Thayne et al. .      |         |
| 9,049,696  | 1/1996  | Nicholas et al. .    |         |
| 9,049,703  | 1/1996  | Nicholas et al. .    |         |
| 9,049,704  | 1/1996  | Nicklos et al. .     |         |
| 9,053,779  | 4/1996  | Nicklos et al. .     |         |

#### OTHER PUBLICATIONS

U.S. application No. 08/703,227, Patterson et al., filed Sep. 06, 1996.  
U.S. application No. 08/710,638, Bishop et al., filed Sep. 18, 1996.

U.S. application No. 08/950,710, Nicklos et al., filed Oct. 15, 1997.

U.S. application No. 08/965,910, Thayne et al., filed Nov. 7, 1997.

U.S. application No. 29/049,696, Nicholas et al., filed Jan. 29, 1996.

U.S. application No. 29/049,703, Nicholas et al., filed Jan. 29, 1996.

U.S. application No. 29/049,704, Nicklos et al., filed Jan. 29, 1996.

U.S. application No. 29/053,779, Nicklos et al., filed Apr. 30, 1996.

Nomai 540 User's Guide, PC Kit, Ref.: 35401902, 1996, 6 pages.

Primary Examiner—Freda Nunn  
Attorney, Agent, or Firm—Woodcock Washburn Kurtz Mackiewicz & Norris LLP

### [57] CLAIM

The ornamental design for a front panel for a computer disk drive, as shown and described.

### DESCRIPTION

FIG. 1 is a top perspective view of the front panel for a computer disk drive;

FIG. 2 is a rear perspective view of the embodiment shown in FIG. 1;

FIG. 3 is a bottom perspective view of the embodiment shown in FIG. 1;

FIG. 4 is a top plan view of the embodiment shown in FIG. 1;

FIG. 5 is a bottom plan view of FIG. 1;

FIG. 6 is a front elevation of FIG. 1;

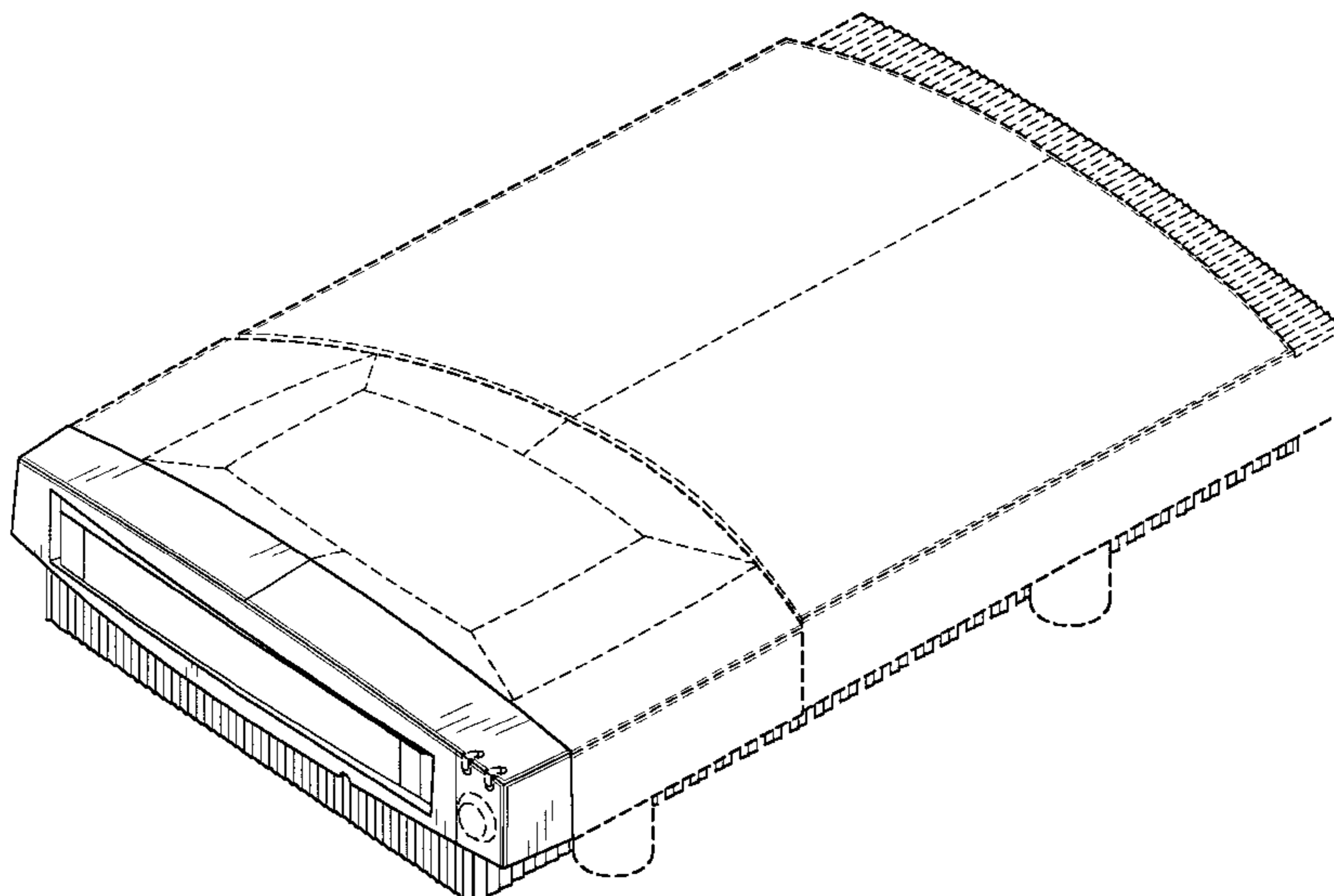
FIG. 7 is a side elevation of FIG. 1;

FIG. 8 is a rear elevation view of FIG. 1; and,

FIG. 9 is another side elevation of FIG. 1.

The broken lines are shown in the views for illustrative purposes only and form no part of the claimed design.

1 Claim, 9 Drawing Sheets



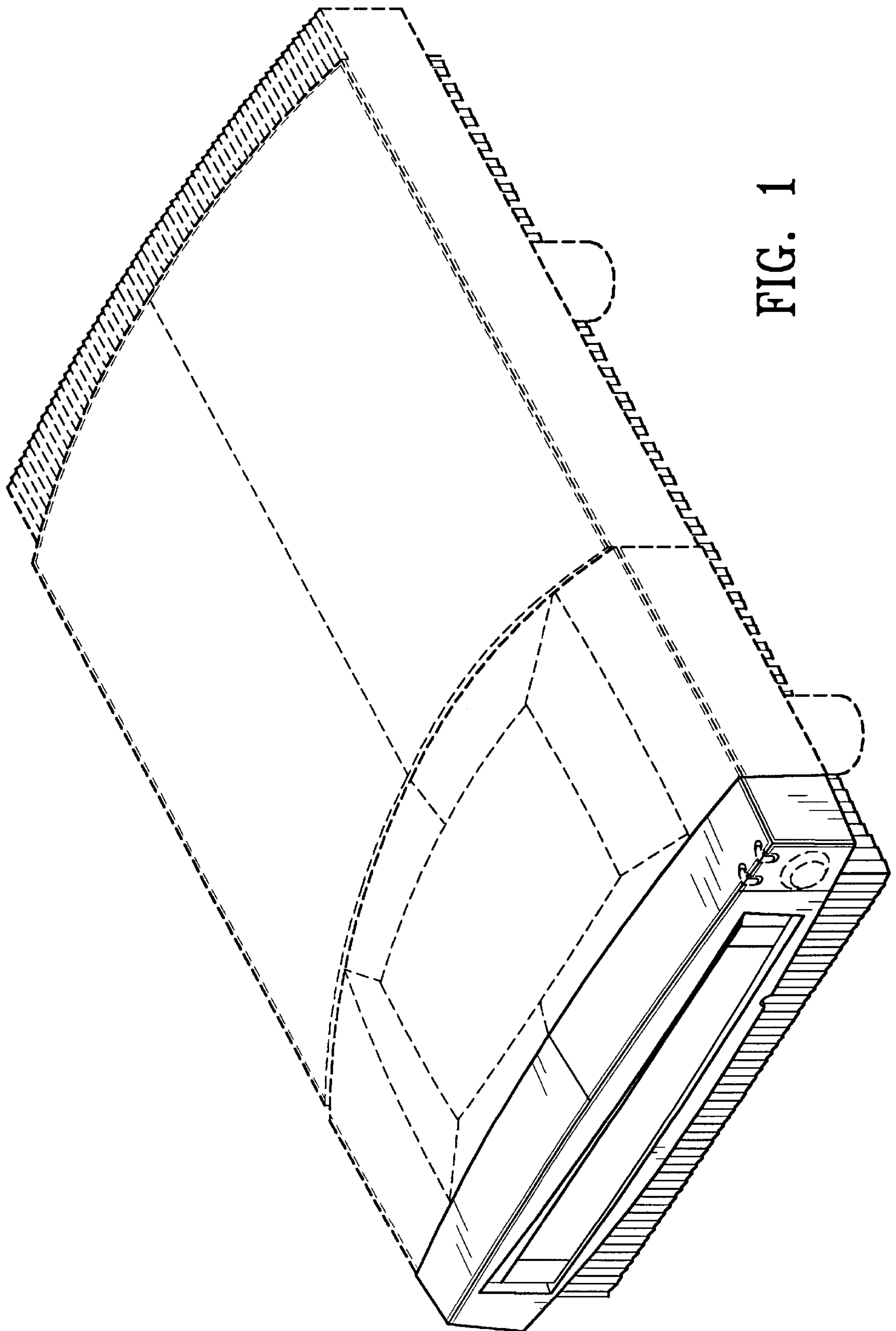


FIG. 1

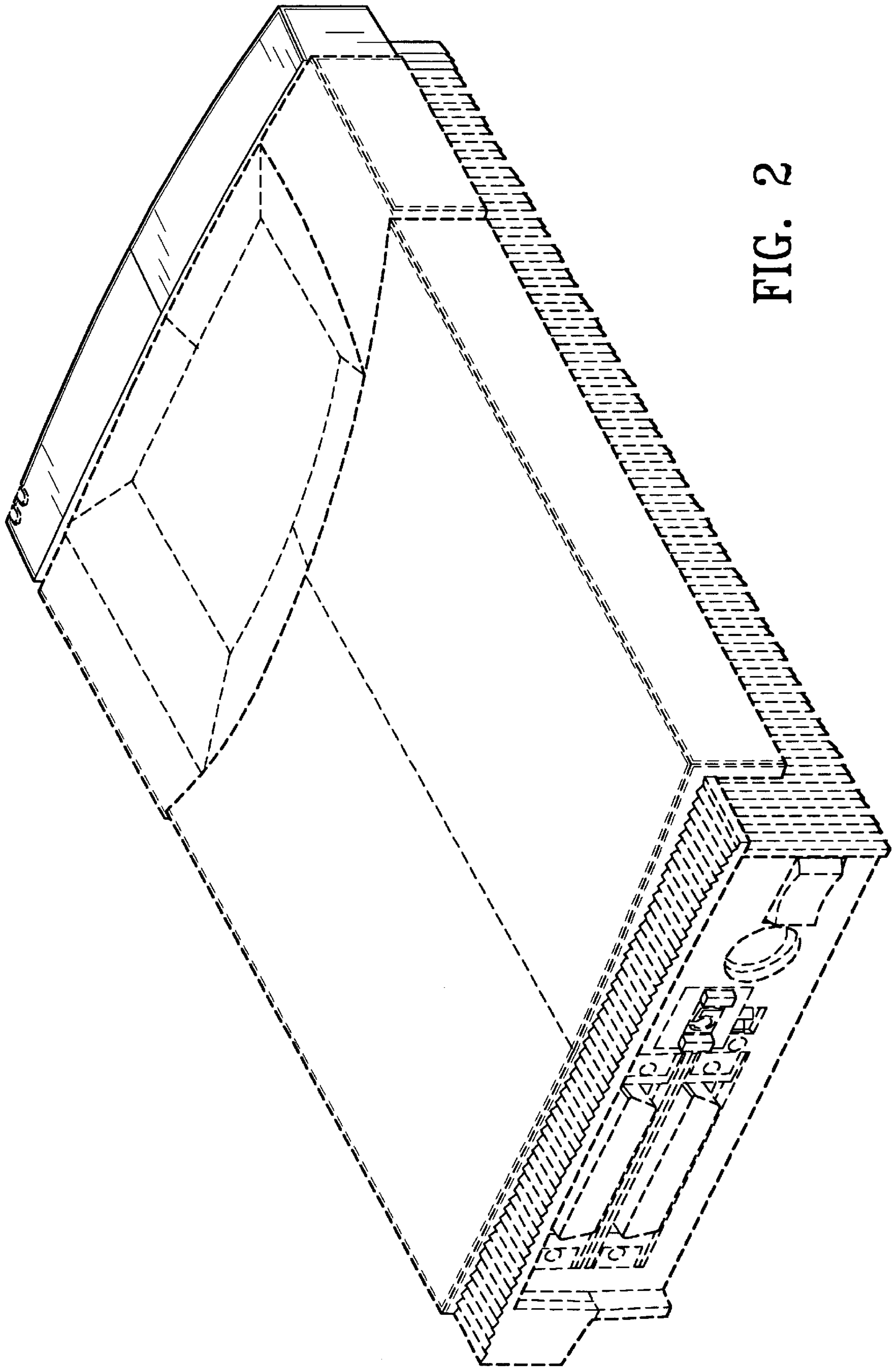


FIG. 2

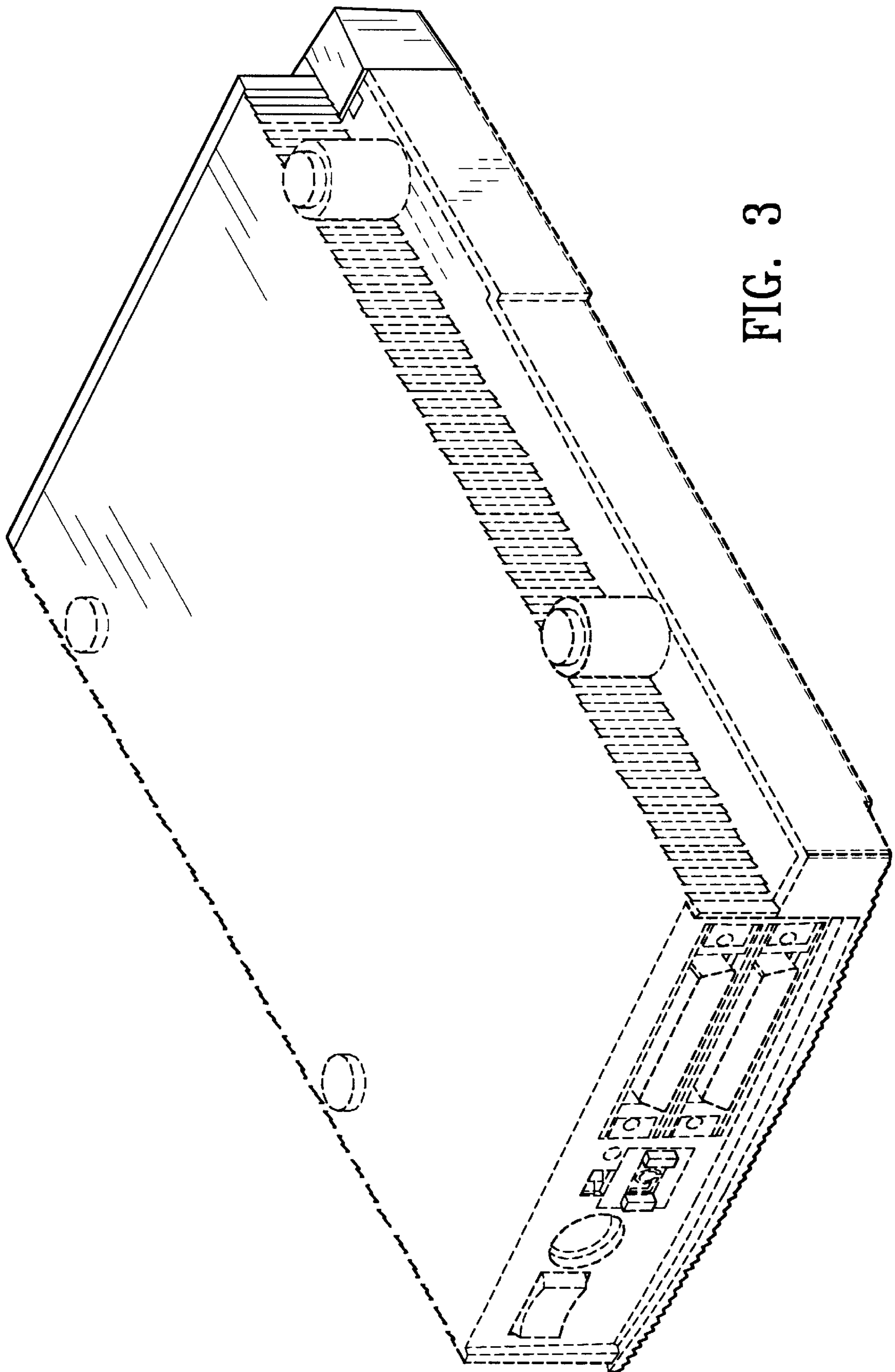


FIG. 3

FIG. 4

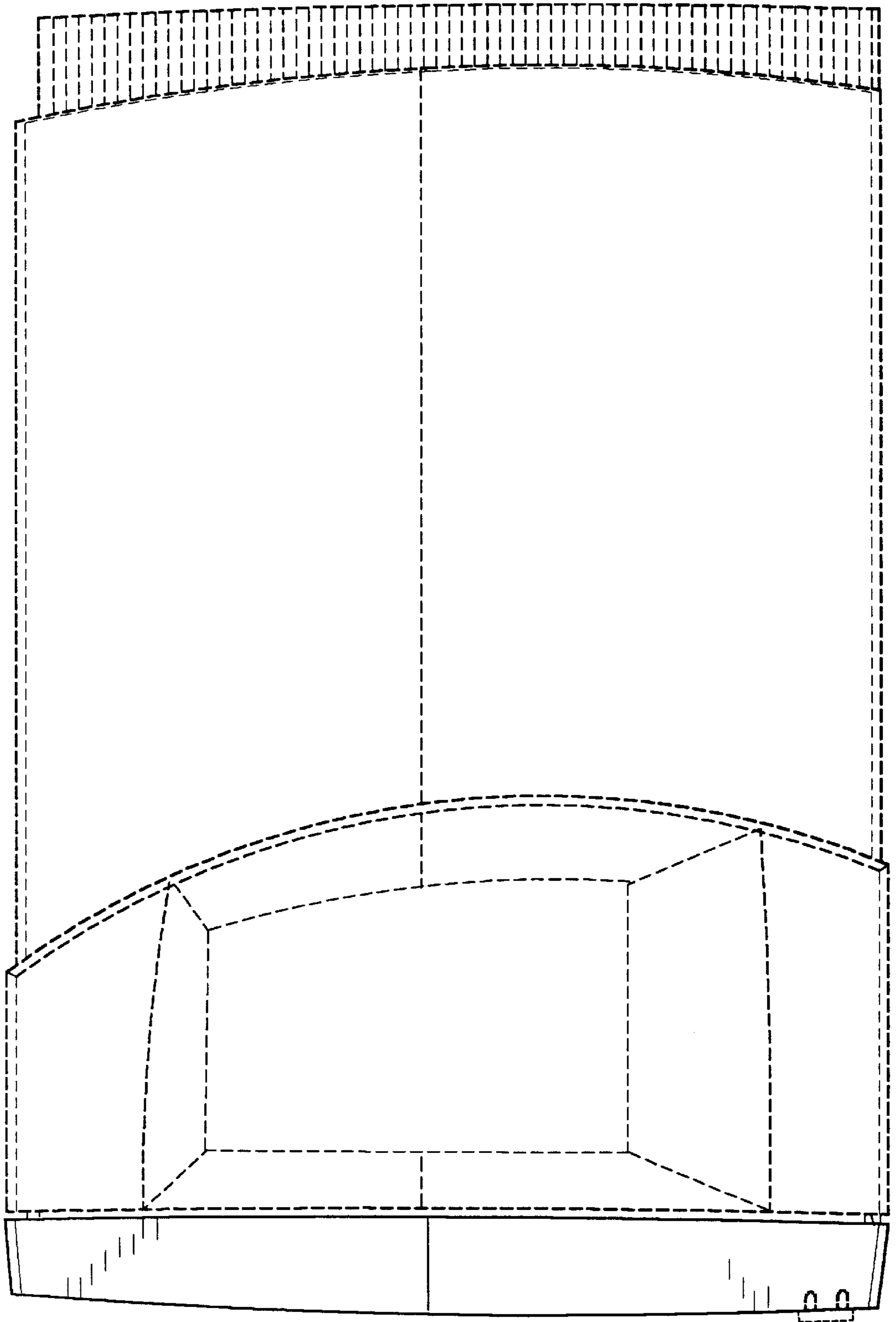
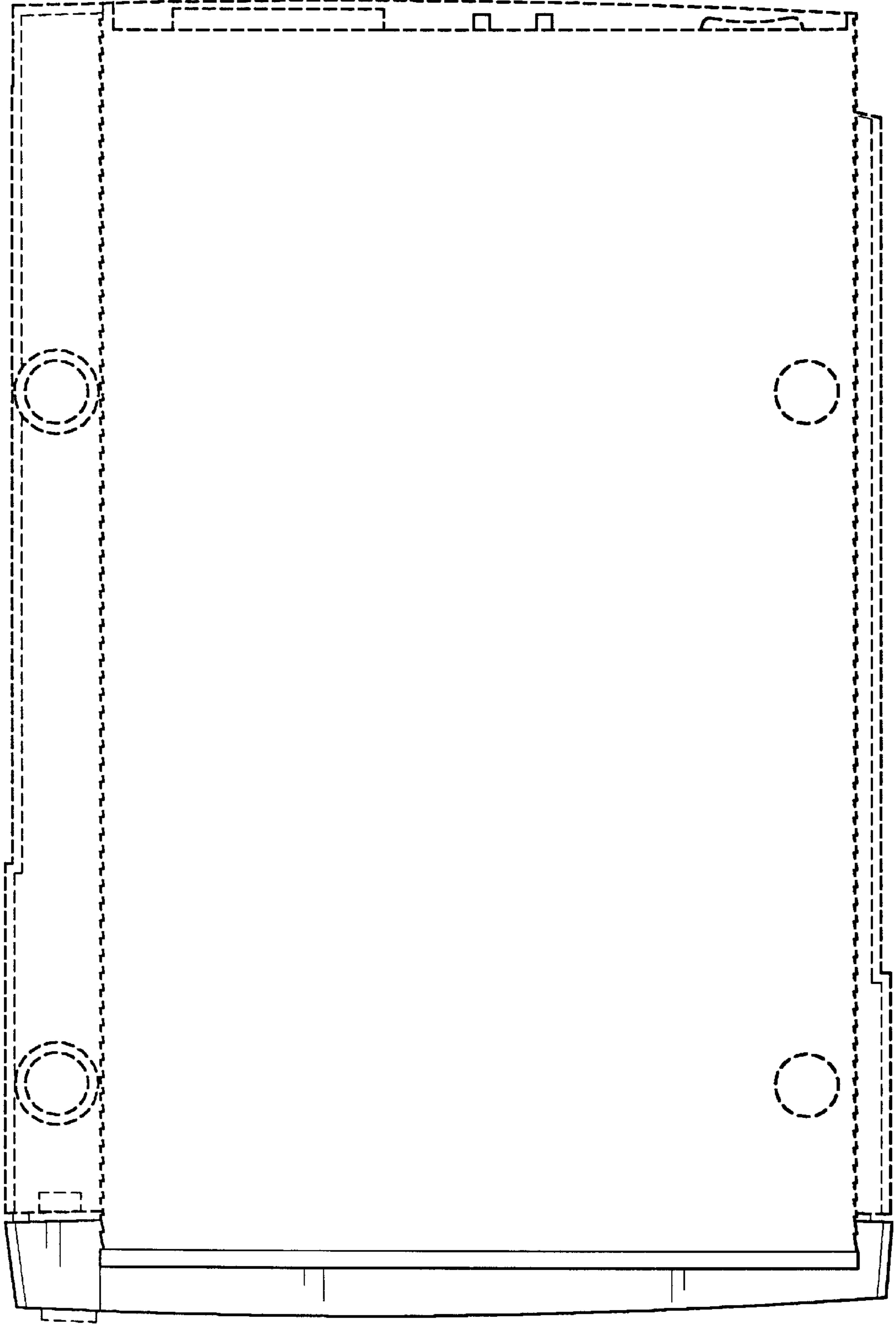


FIG. 5



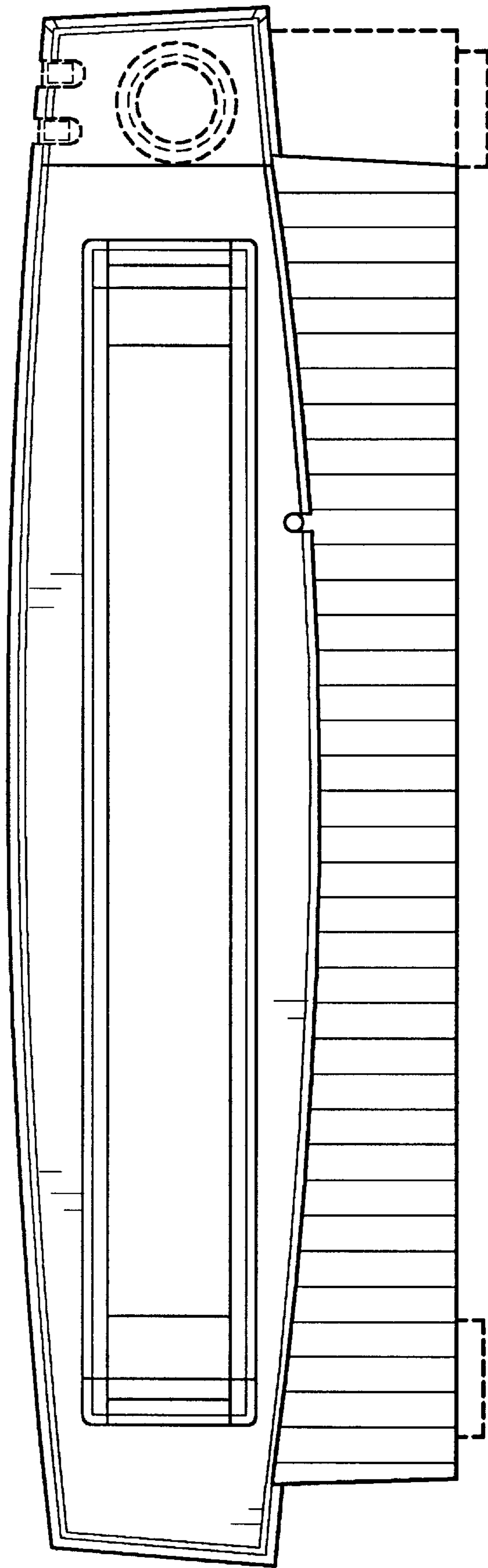


FIG. 6

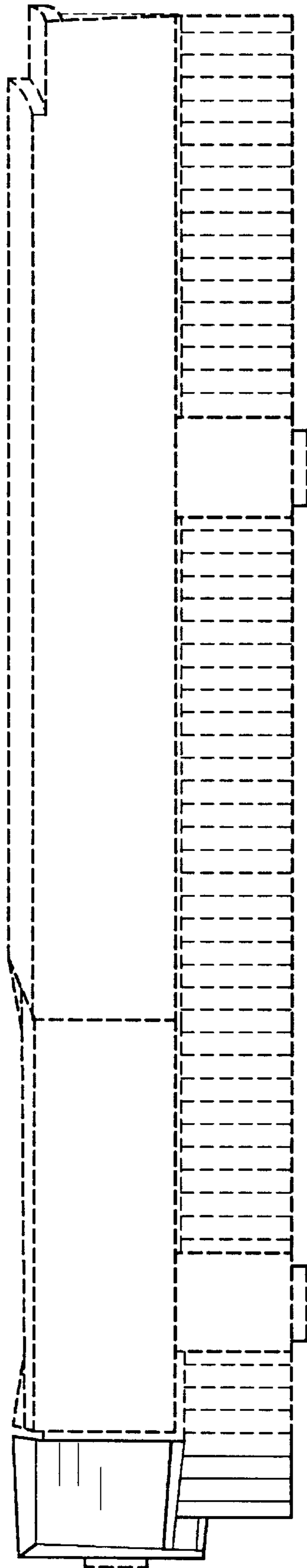


FIG. 7



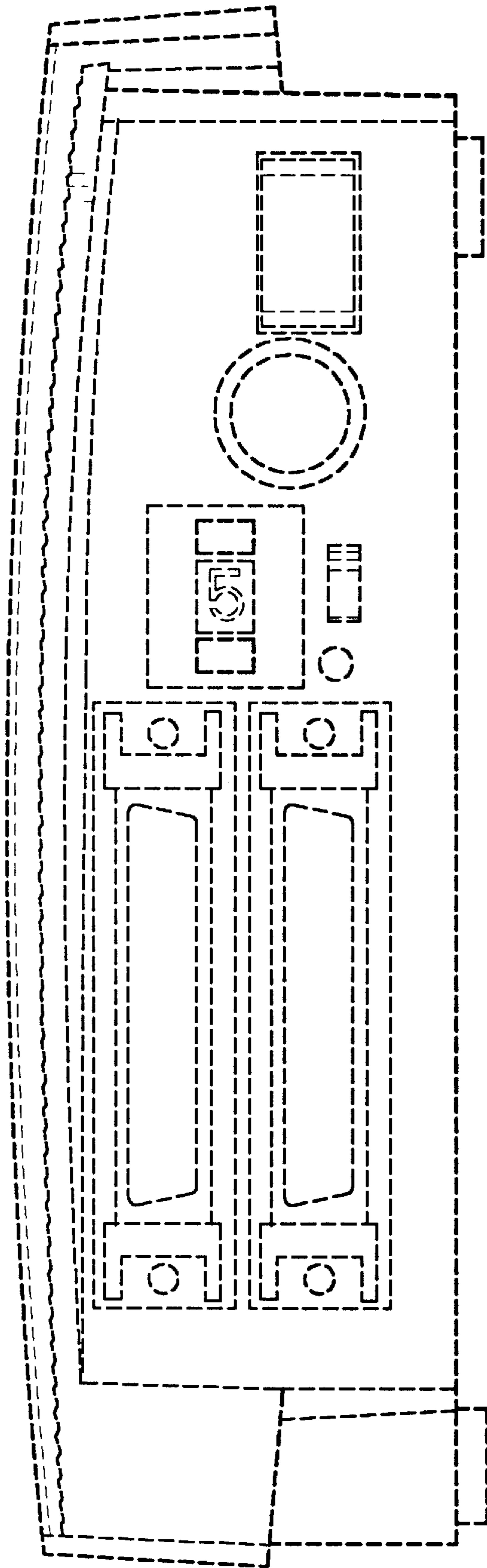


FIG. 8

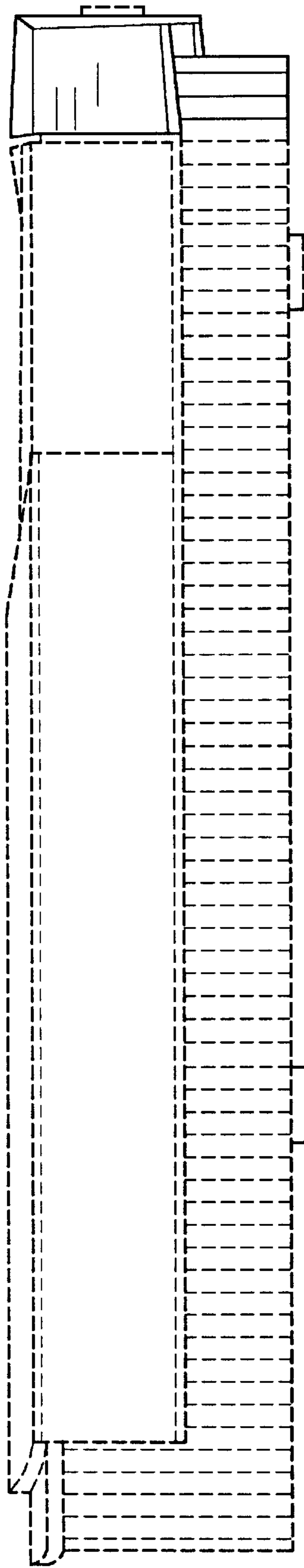


FIG. 9