



US00D404726S

# United States Patent [19]

Murphy et al.

[11] **Patent Number: Des. 404,726**

[45] **Date of Patent: \*\*Jan. 26, 1999**

[54] **COMPUTER ENCLOSURE**

[75] Inventors: **Tim Kerry Murphy; Roland Zapfe,**  
both of Rochester, Minn.

[73] Assignee: **International Business Machines Corporation,** Armonk, N.Y.

[\*\*] Term: **14 Years**

[21] Appl. No.: **83,250**

[22] Filed: **Feb. 5, 1998**

[51] **LOC (6) Cl. .... 14-02**

[52] **U.S. Cl. .... D14/100; D14/102**

[58] **Field of Search .... D14/100, 102,**  
D14/107-109; D13/162, 184, 199; D6/432,  
436, 445, 448; 312/208.1; 360/99.12; 361/694,  
696

[56] **References Cited**

**U.S. PATENT DOCUMENTS**

D. 360,409 7/1995 Alo, Jr. et al. .... D14/102

D. 364,149 11/1995 Alfonso ..... D14/102  
D. 366,462 1/1996 Hill et al. .... D14/100  
D. 381,318 7/1997 Sharp et al. .... D14/100  
D. 386,156 11/1997 MacMurtrie et al. .... D14/102

*Primary Examiner*—Freda Nunn  
*Attorney, Agent, or Firm*—Matthew J. Bussan

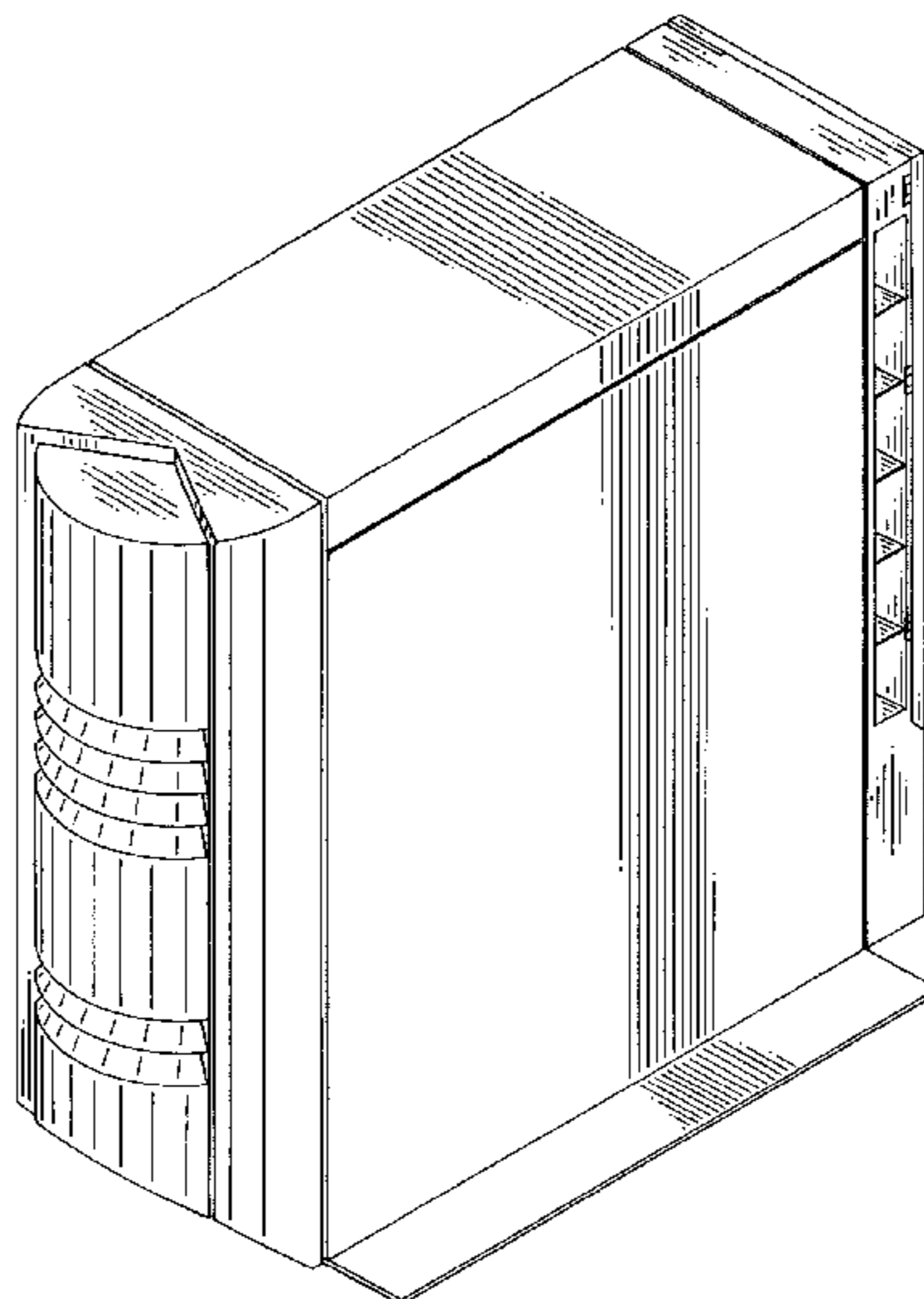
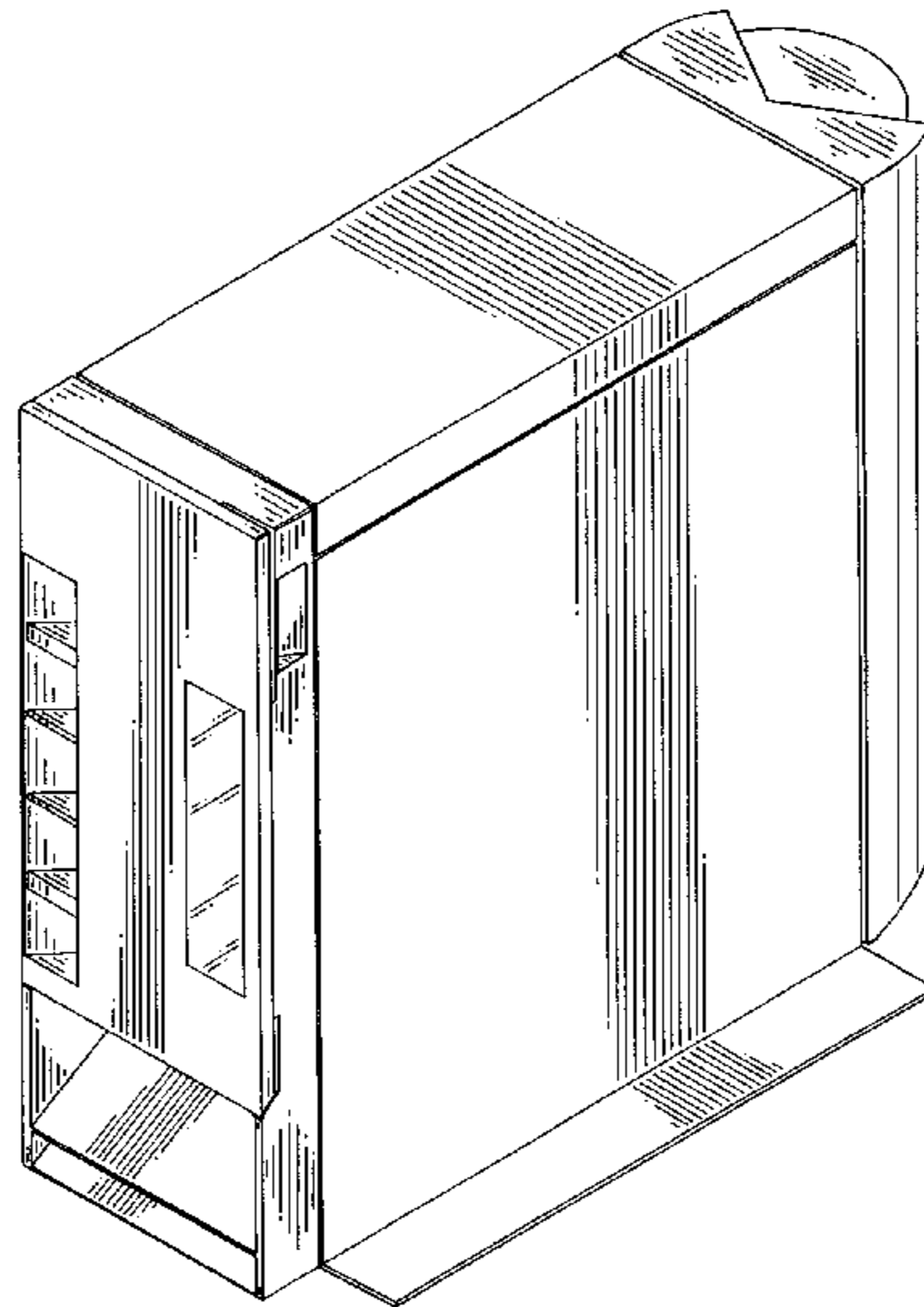
[57] **CLAIM**

The ornamental design for a computer enclosure, as shown and described.

**DESCRIPTION**

FIG. 1 is a top, front, right side isometric view of a computer enclosure, showing our new design;  
FIG. 2 is a top, back, left side isometric view thereof;  
FIG. 3 is a front elevational view thereof;  
FIG. 4 is a top plan view thereof;  
FIG. 5 is a right side elevational view thereof;  
FIG. 6 is a left side elevational view thereof; and,  
FIG. 7 is a rear elevational view thereof.  
The bottom of the computer enclosure is unornamented.

**1 Claim, 7 Drawing Sheets**



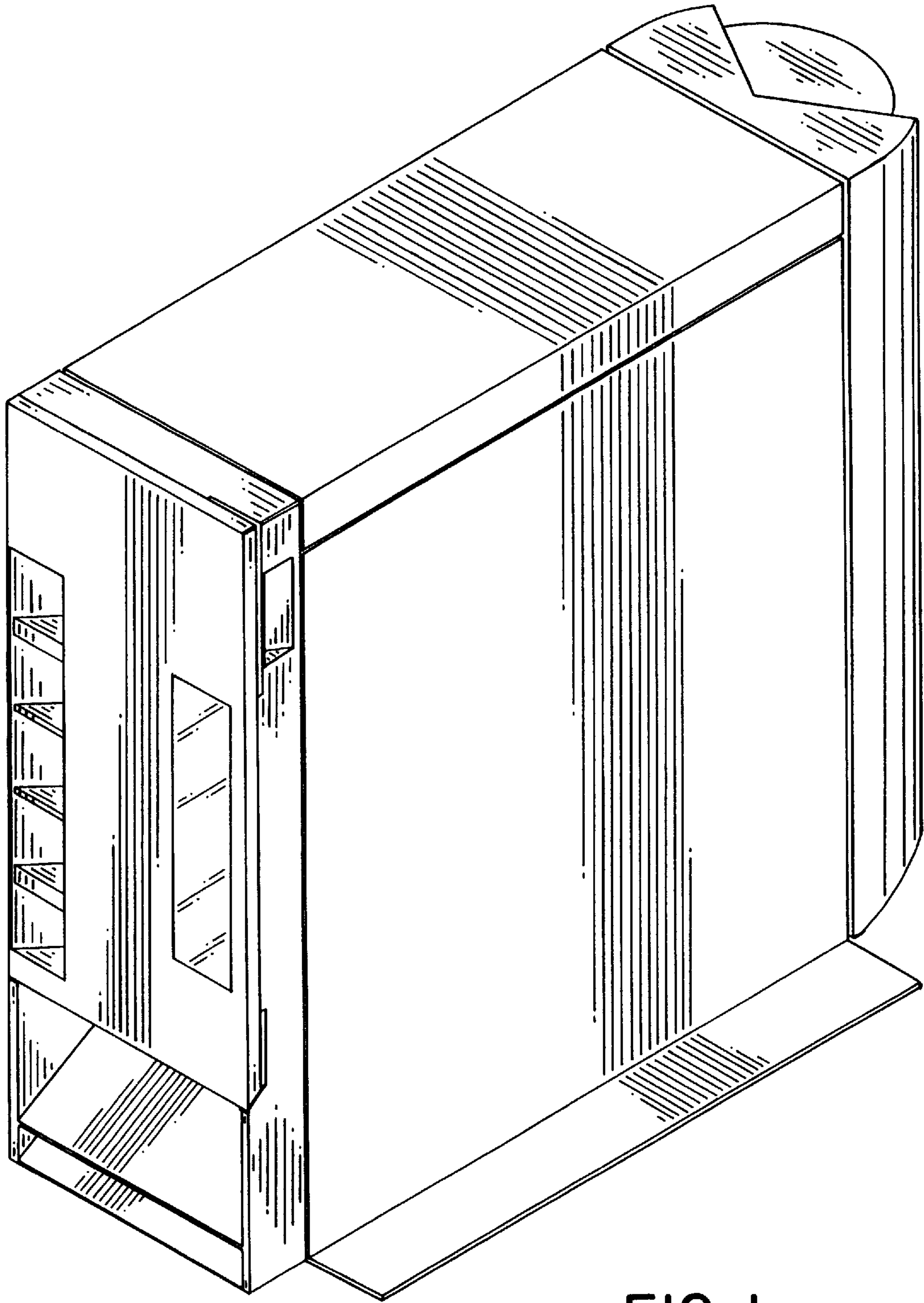


FIG. 1

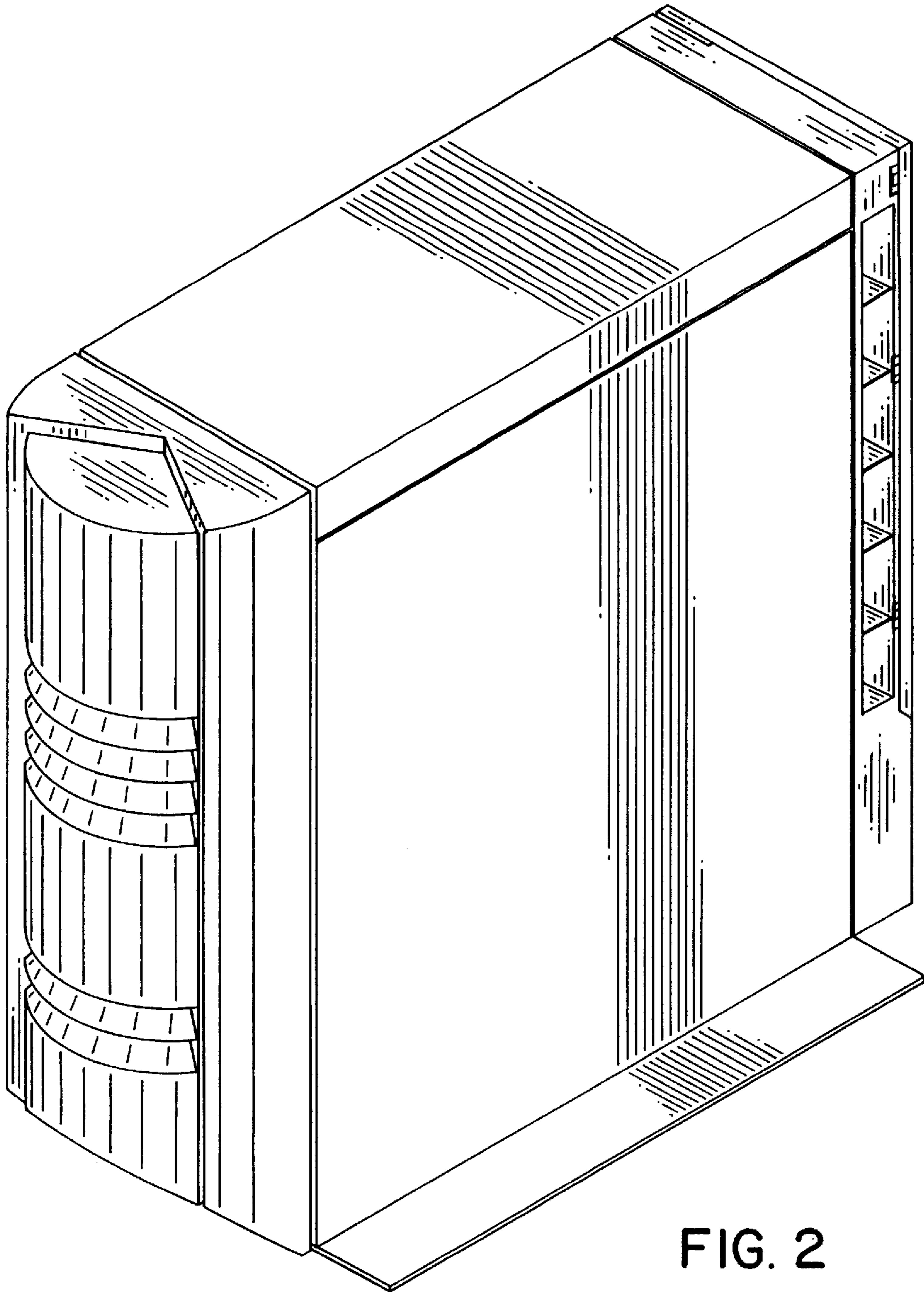


FIG. 2

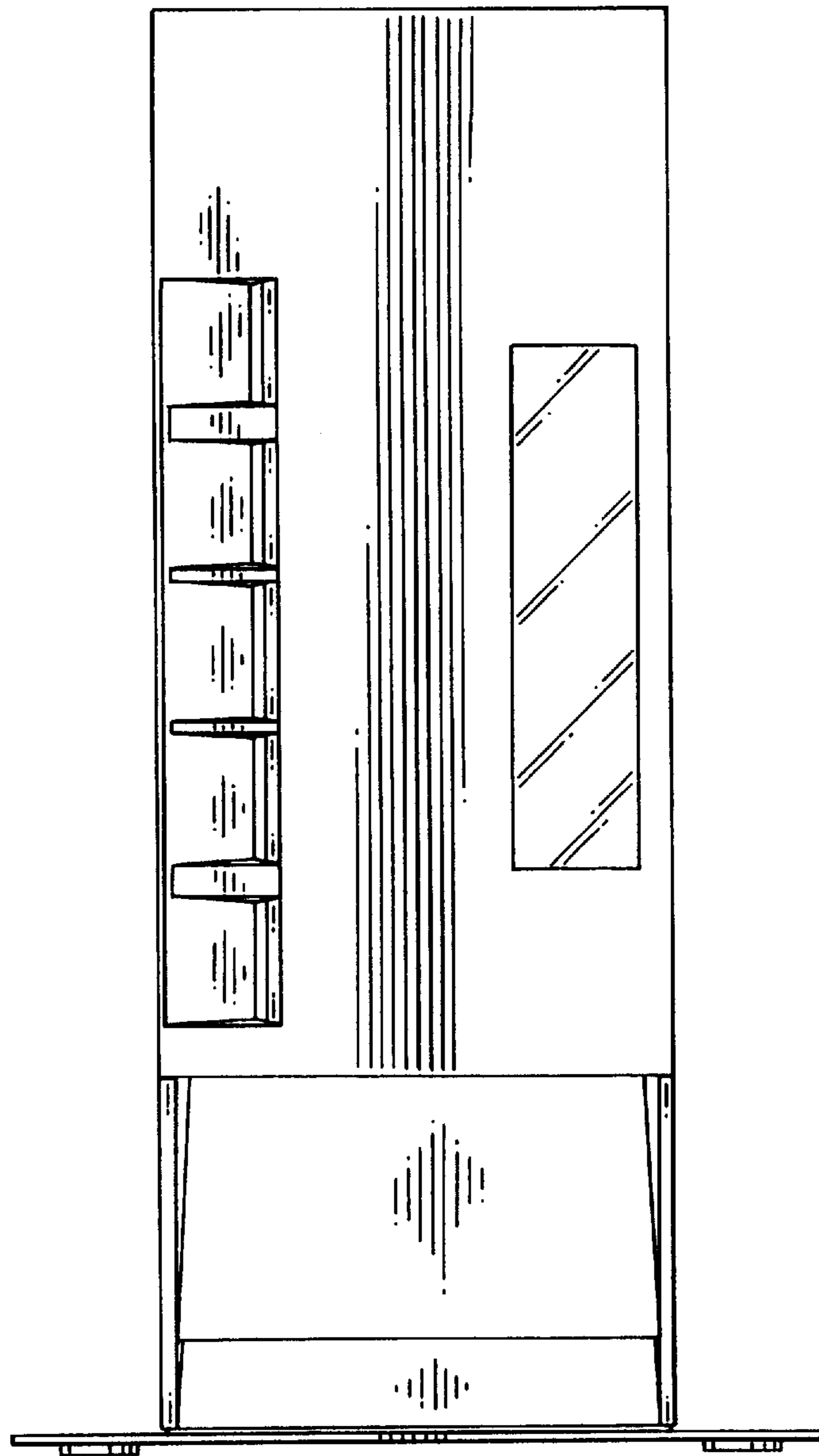


FIG. 3

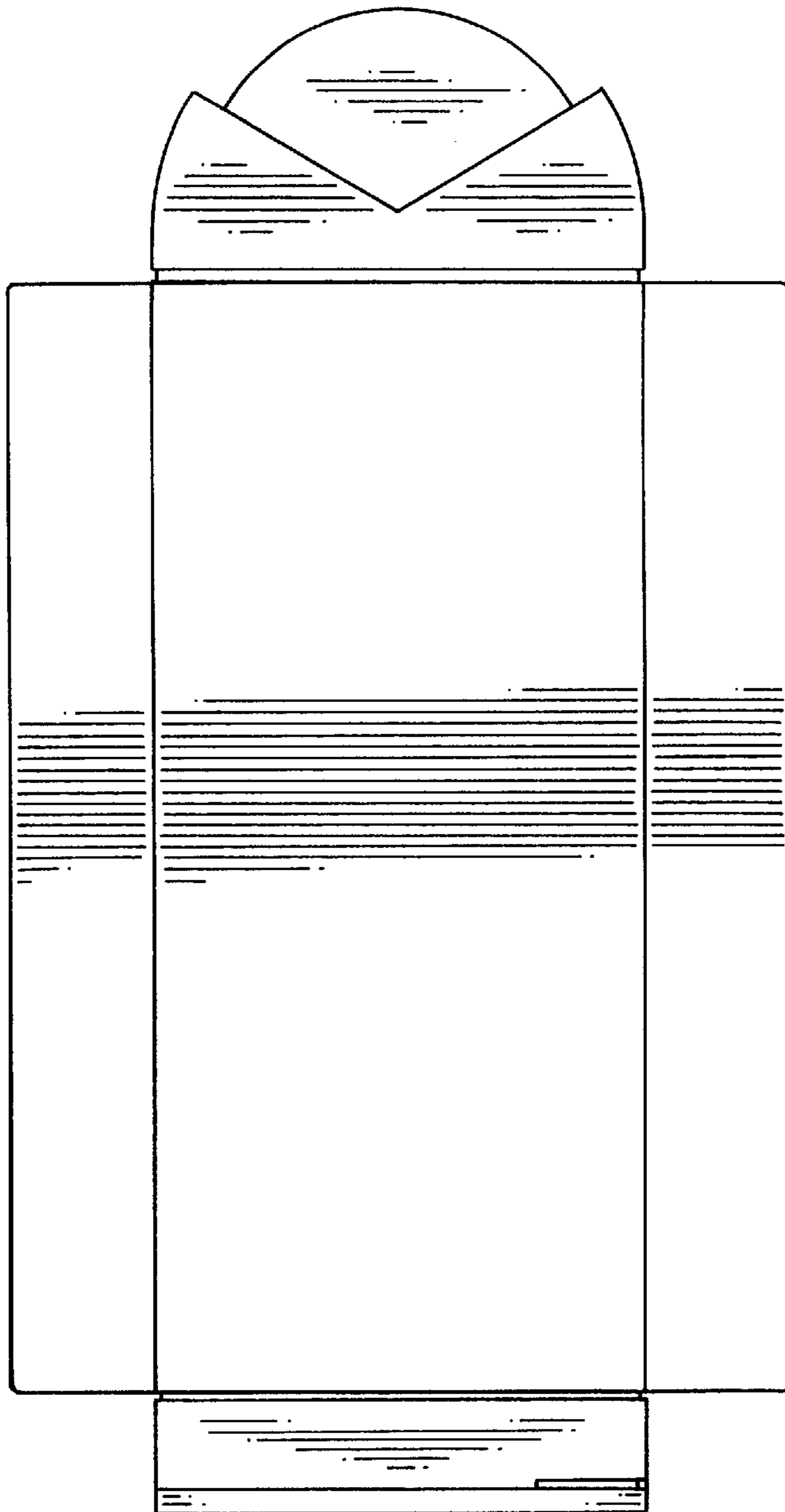


FIG. 4

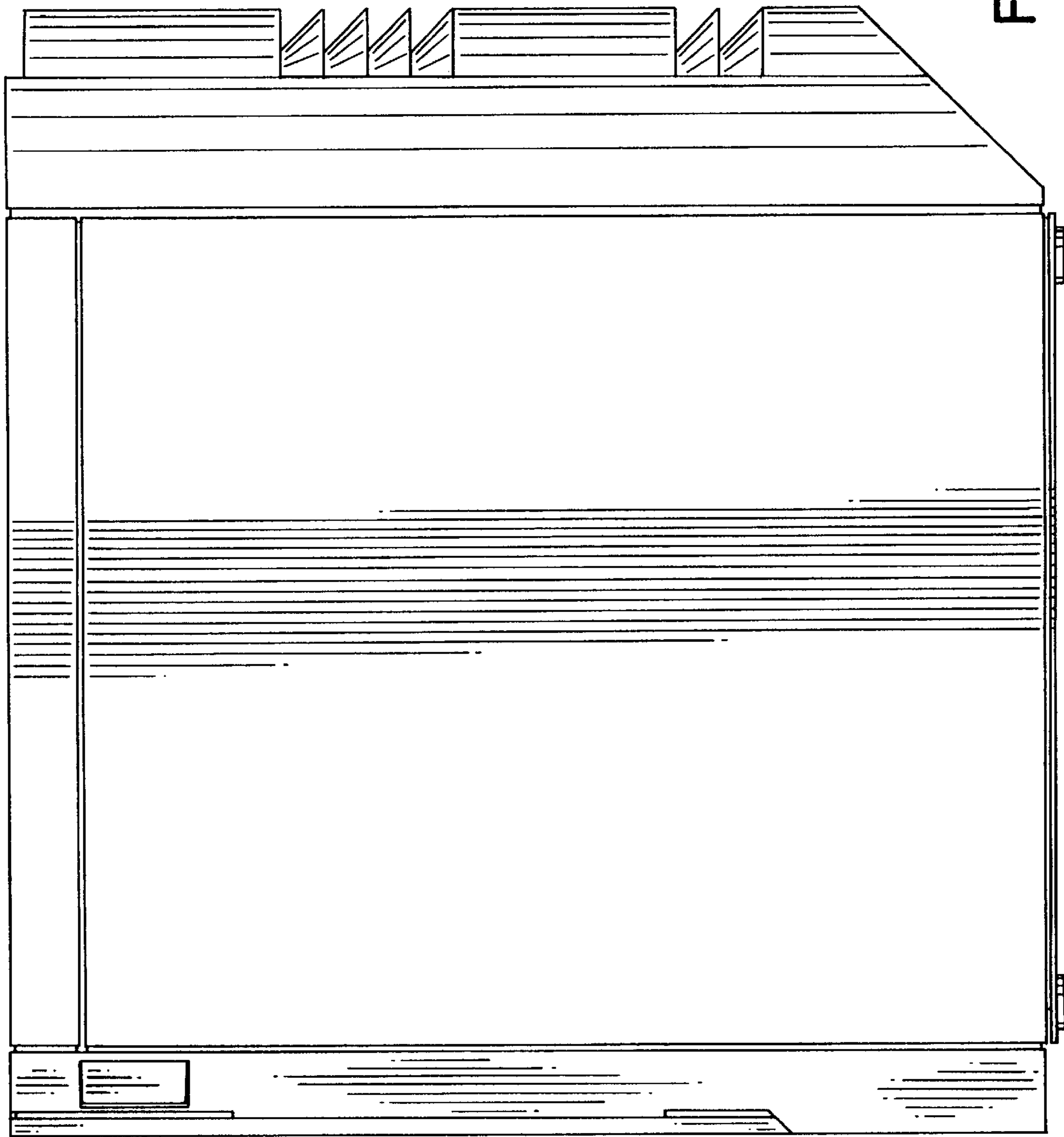
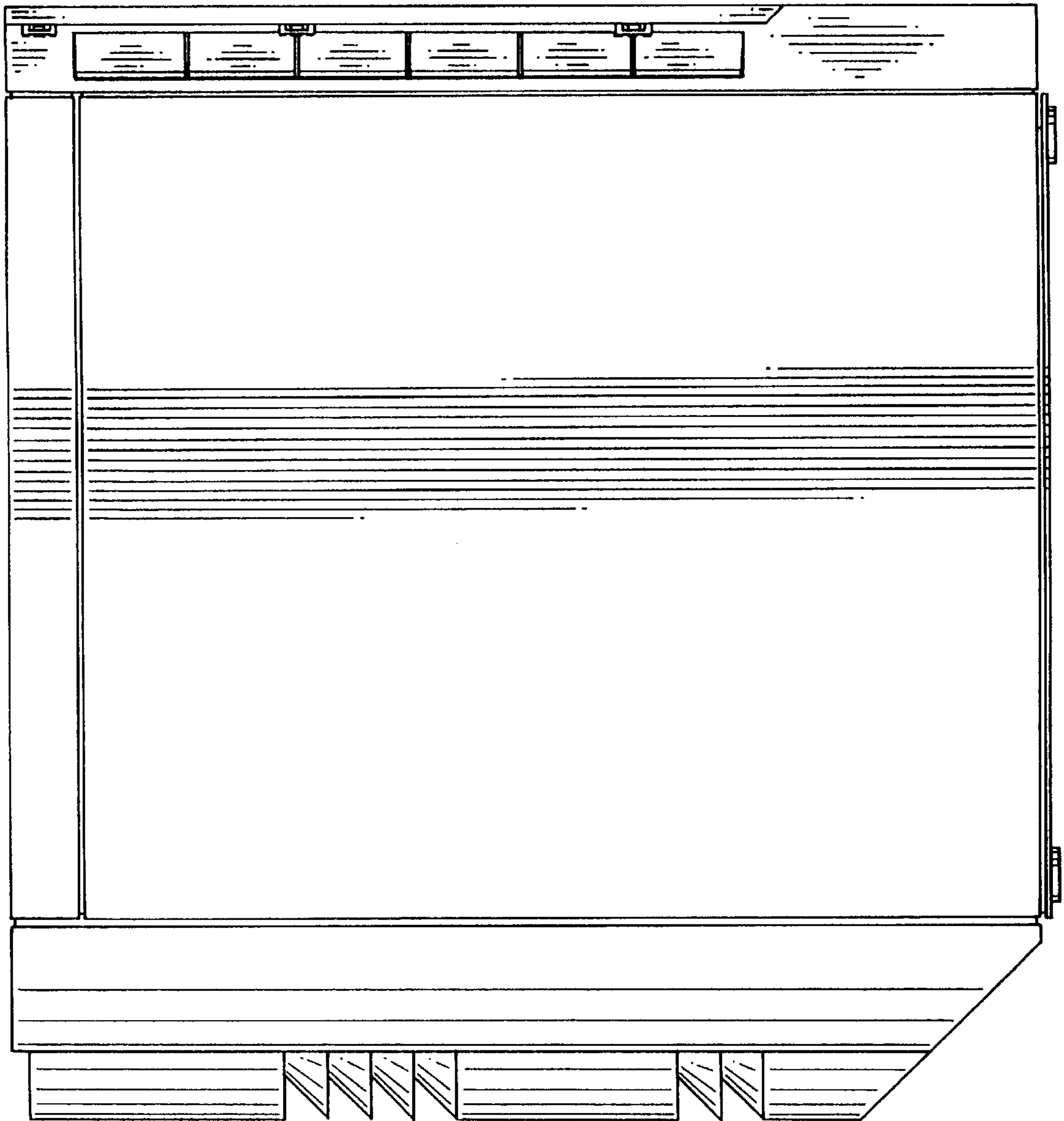


FIG. 5

FIG. 6



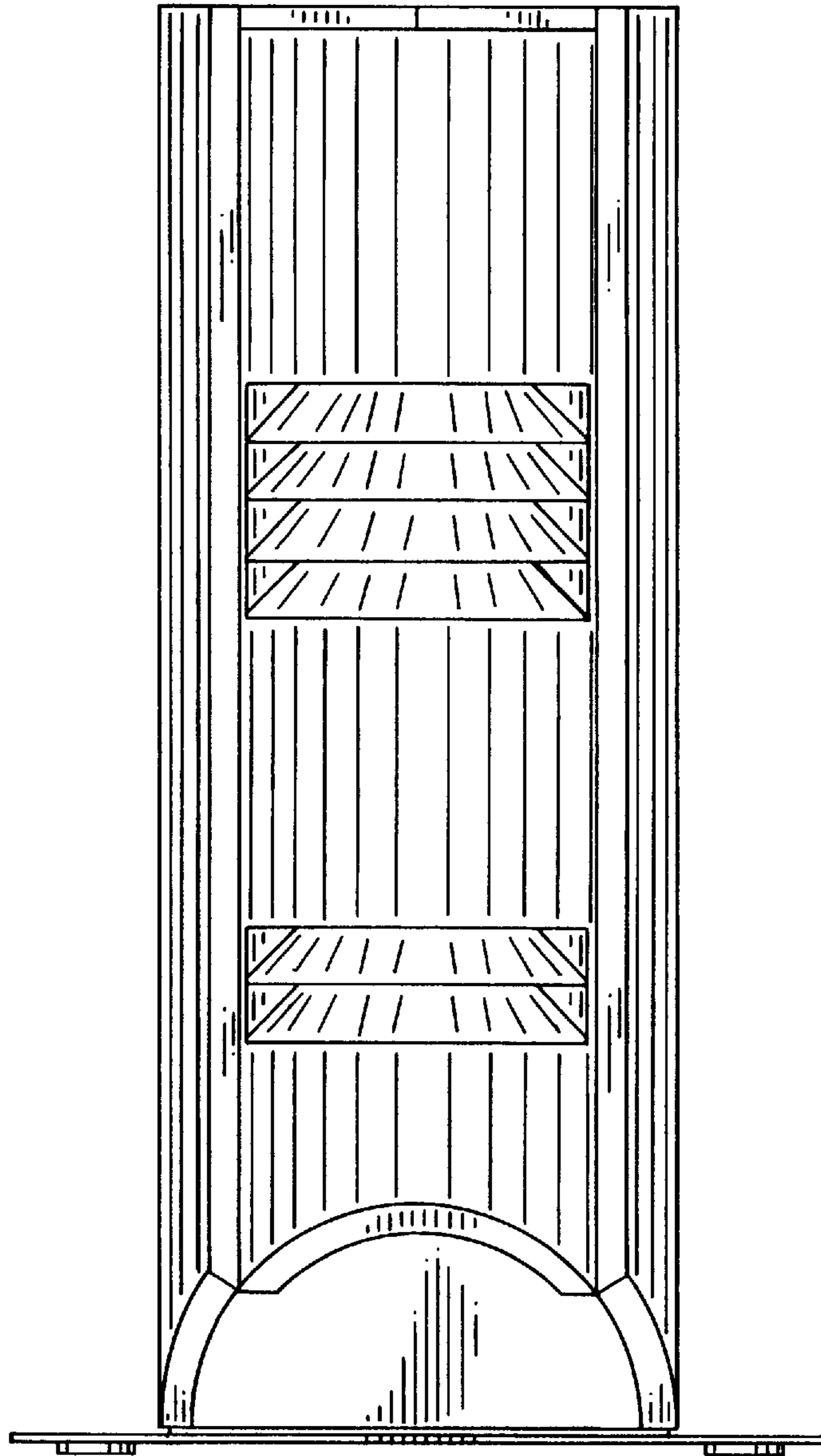


FIG. 7