



US00D404721S

United States Patent [19]

Tennefoss et al.

[11] Patent Number: **Des. 404,721**

[45] Date of Patent: ****Jan. 26, 1999**

[54] ELECTRICAL HOUSING WITH MODULE

D. 390,235 2/1998 Tucker et al. D13/184 X

[75] Inventors: **Michael Reid Tennefoss**, Portola Valley; **James Marcus Stewart**, San Jose; **Milton Thomas Tormey**, Los Altos, all of Calif.

Primary Examiner—Brian N. Vinson
Attorney, Agent, or Firm—Blakely, Sokoloff, Taylor & Zafman LLP

[73] Assignee: **Echelon Corporation**, Palo Alto, Calif.

[57] CLAIM

[**] Term: **14 Years**

The ornamental design for an electrical housing with module, as shown and described.

[21] Appl. No.: **74,664**

DESCRIPTION

[22] Filed: **Aug. 7, 1997**

FIG. 1 is a top, rear, and right side perspective view of the first embodiment of an electrical housing with module showing our new design, the broken-line disclosure being for illustrative purposes only and forming no part of the claimed design;

[51] LOC (6) Cl. **13-01**

[52] U.S. Cl. **D13/184**

[58] Field of Search D13/184; 361/600, 361/627, 636, 637, 640, 641

FIG. 2 is an enlarged left side elevational view thereof;

FIG. 3 is an enlarged rear elevational view thereof;

FIG. 4 is an enlarged front elevational view thereof;

FIG. 5 is an enlarged top plan view thereof, the bottom being identical in appearance; and,

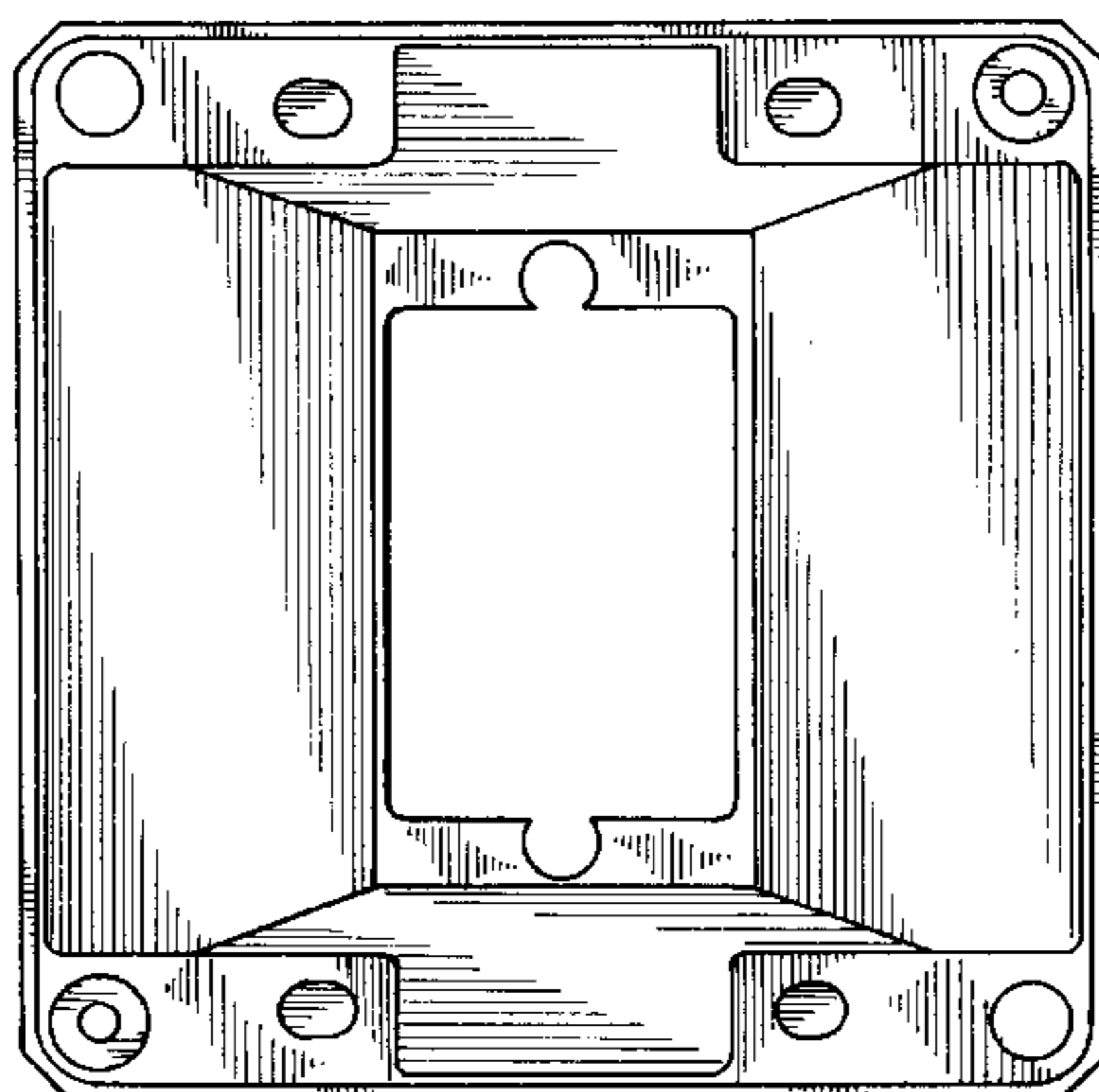
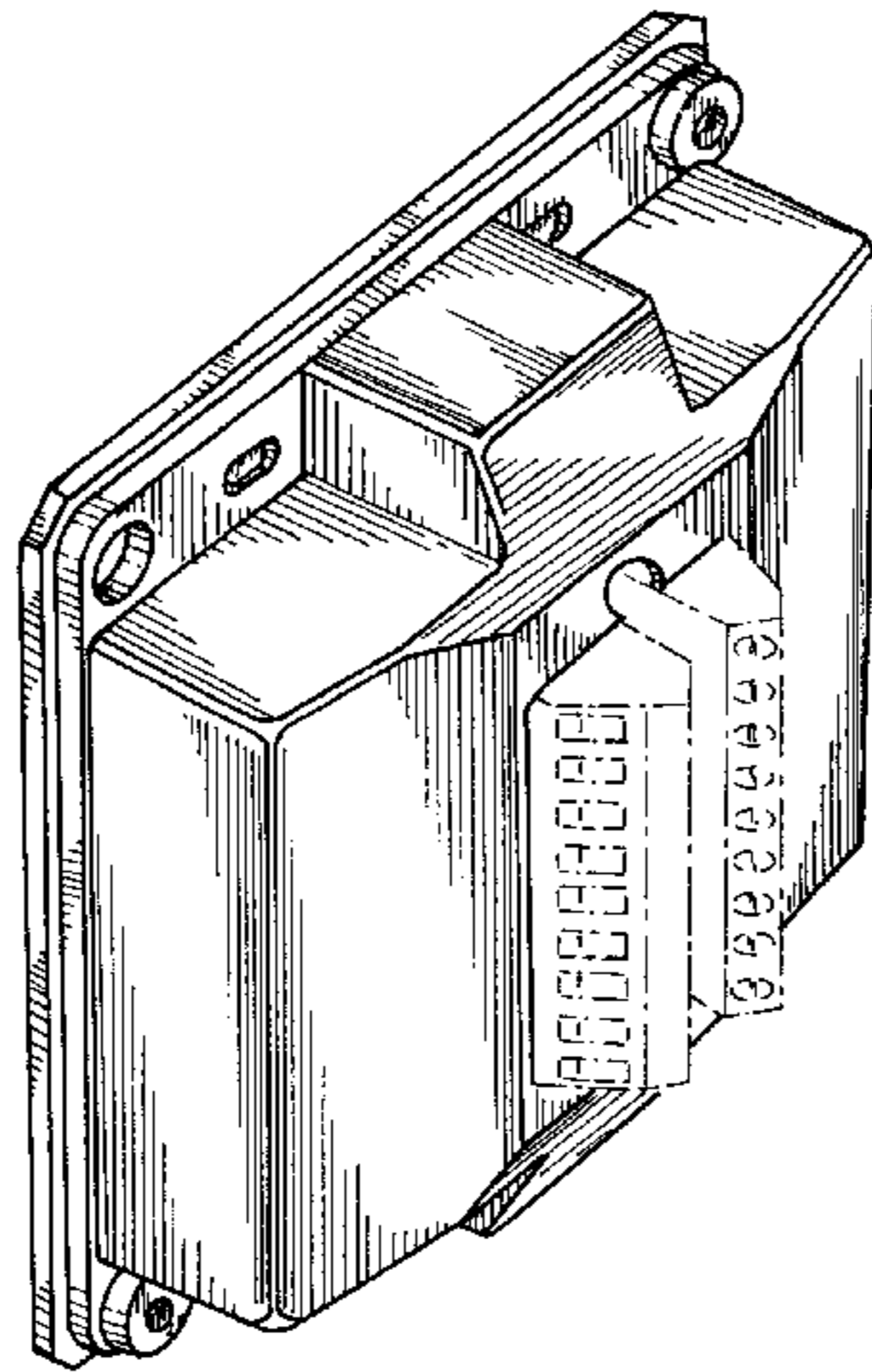
FIG. 6 is an enlarged front elevational view of the second embodiment thereof, the only difference residing in the appearance of this elevation.

[56] References Cited

U.S. PATENT DOCUMENTS

- D. 297,136 8/1988 Collins et al. D13/184 X
- D. 360,620 7/1995 Gehrs et al. D13/184
- D. 362,255 9/1995 White D13/184 X
- D. 373,771 9/1996 Messelhi D13/184 X

1 Claim, 3 Drawing Sheets



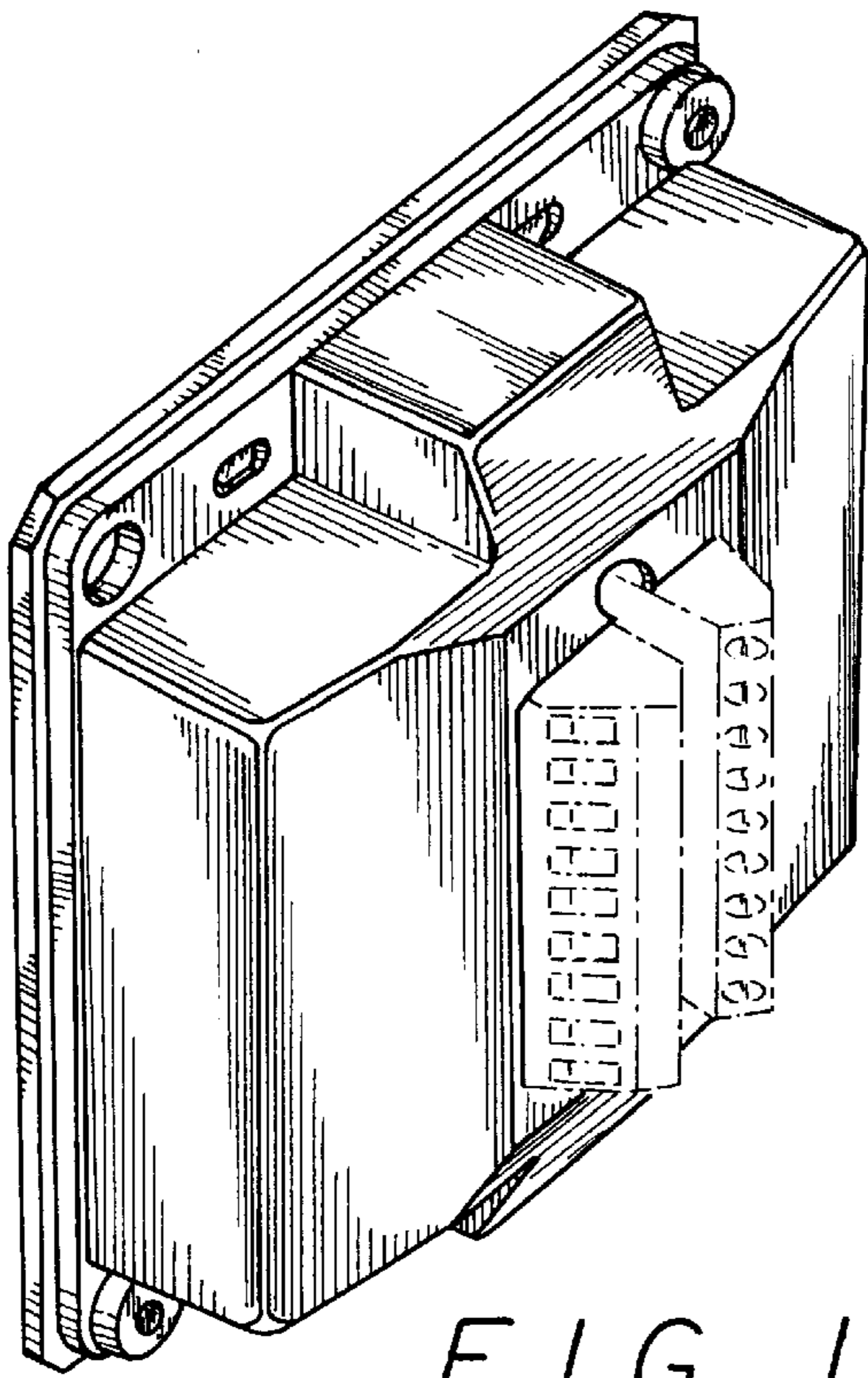


FIG. 1

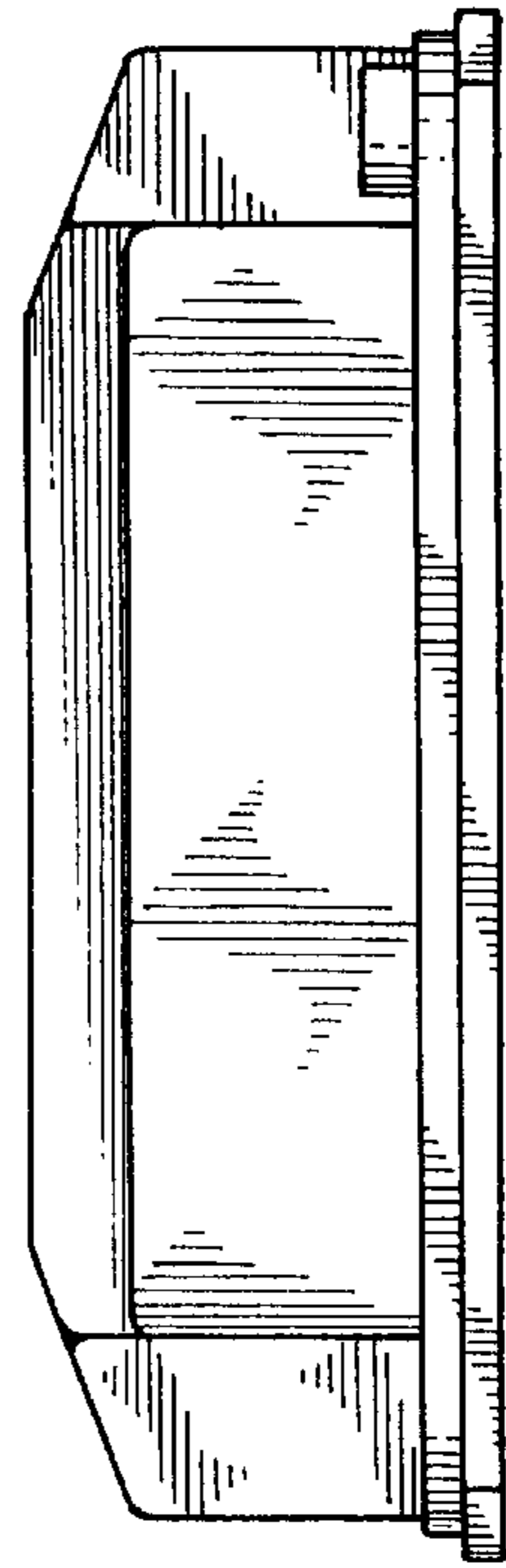


FIG. 2

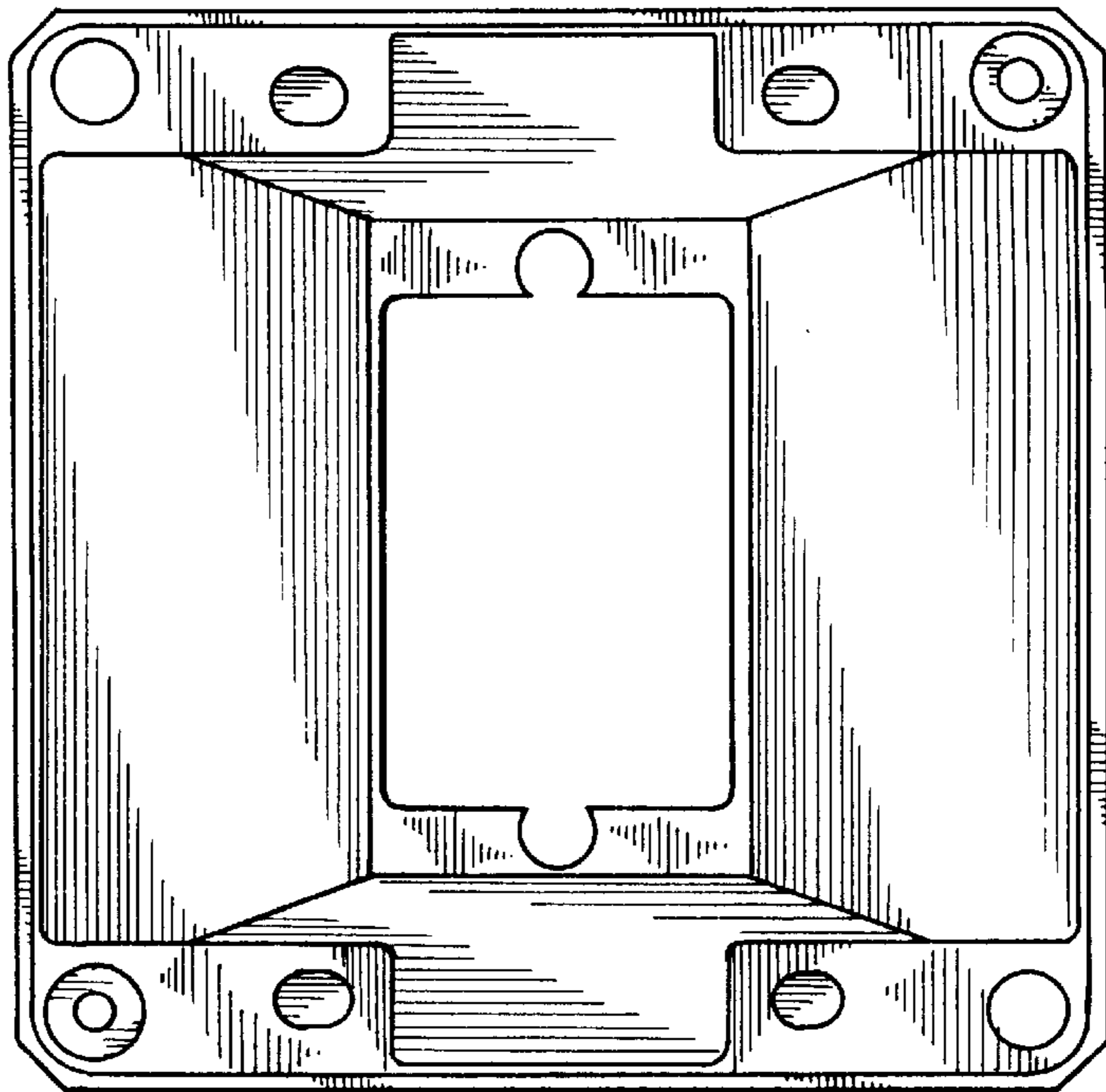


FIG. 3

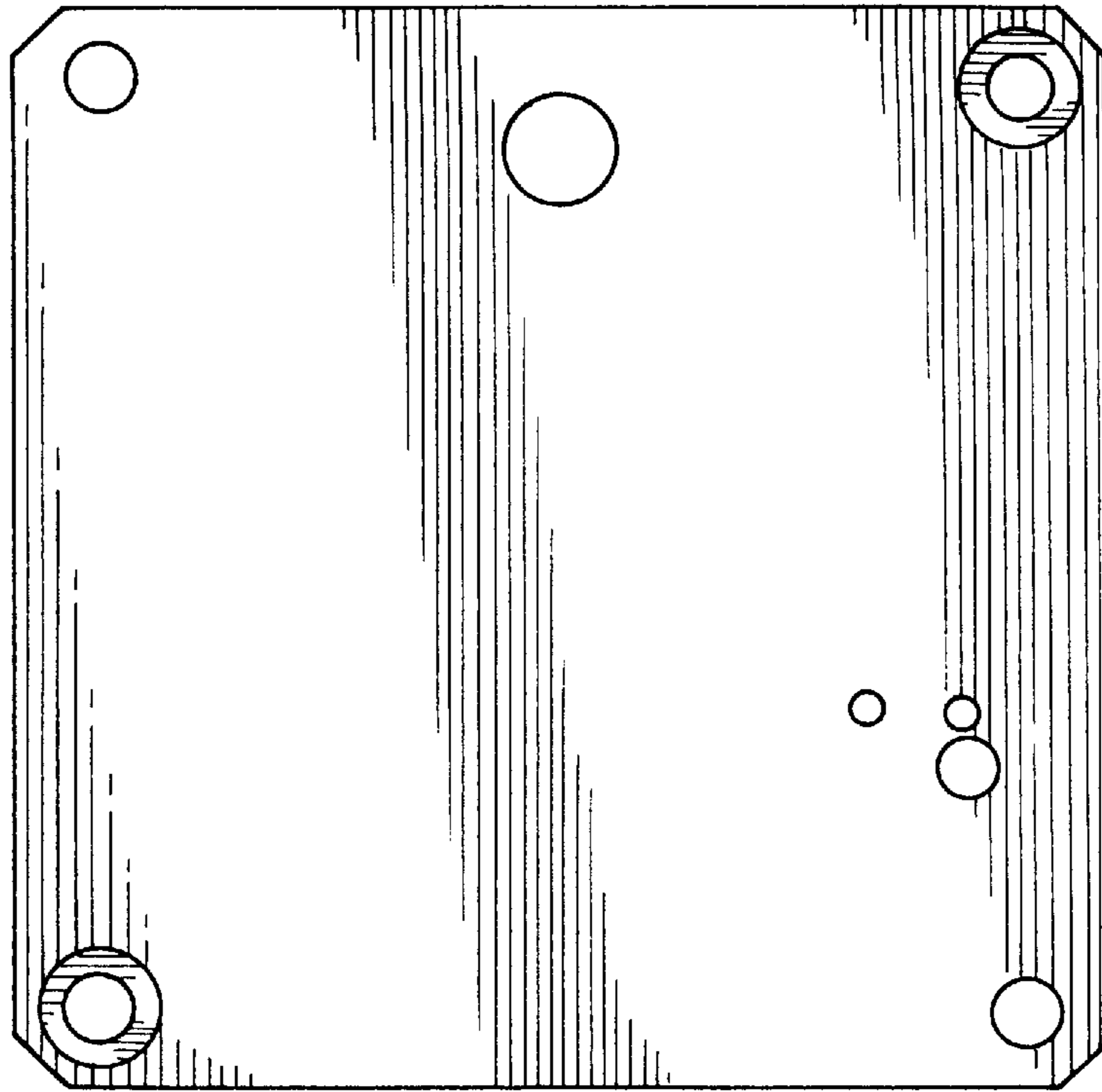


FIG. 4

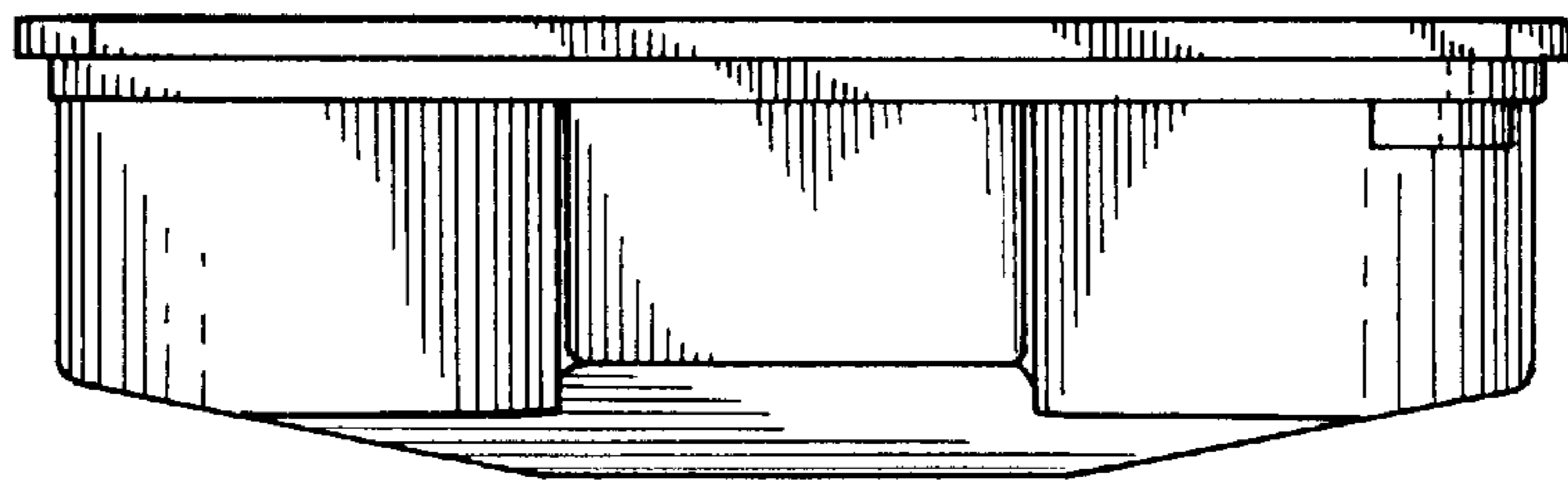


FIG. 5

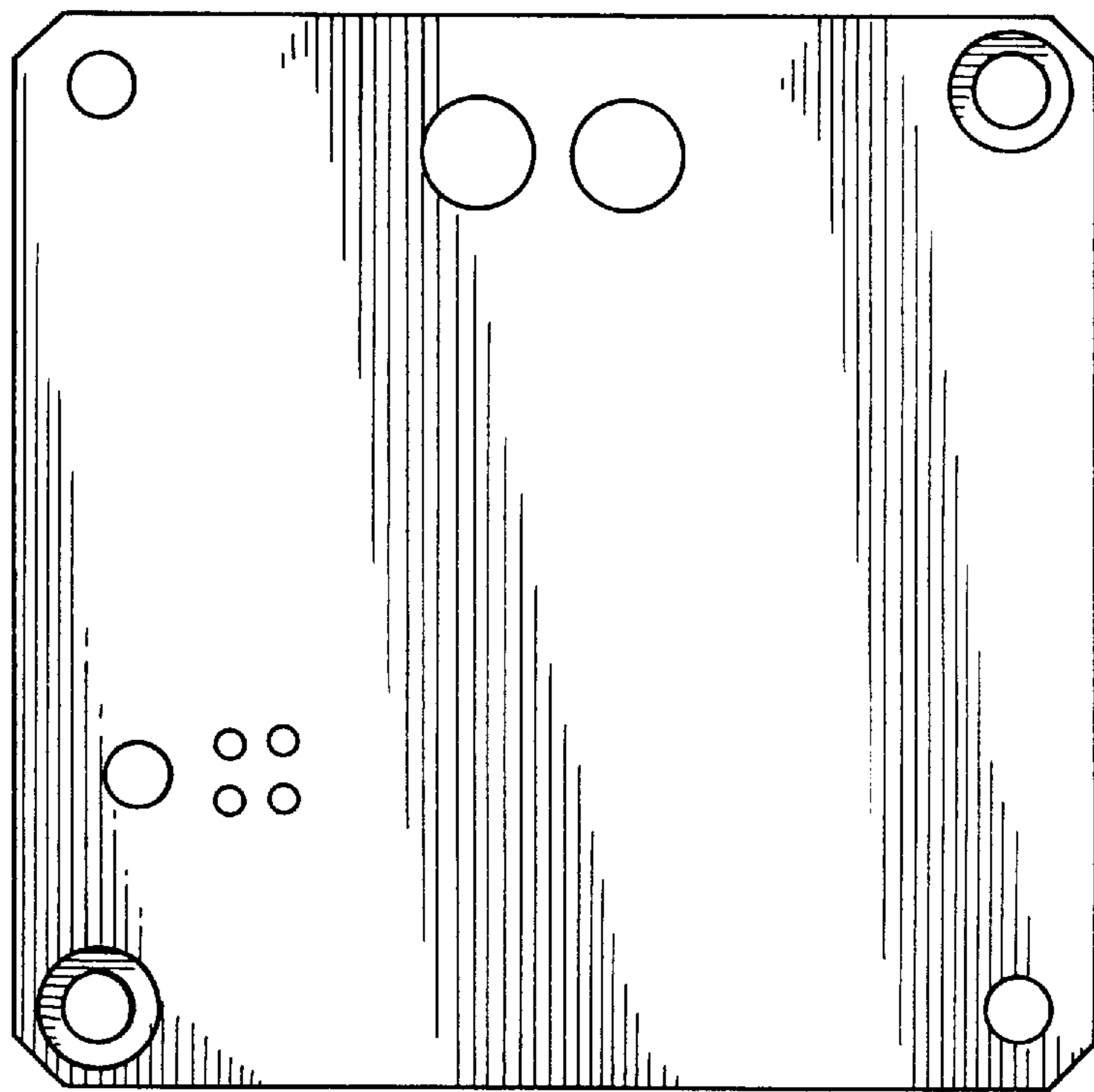


FIG. 6