



US00D404716S

United States Patent [19]
Lee

[11] **Patent Number: Des. 404,716**

[45] **Date of Patent: **Jan. 26, 1999**

[54] **ELECTRICAL CONNECTOR SHELL**

[75] Inventor: **Kendrew Lee**, San Jose, Calif.

[73] Assignee: **Monster Cable Products, Inc.**,
Brisbane, Calif.

[**] Term: **14 Years**

[21] Appl. No.: **80,475**

[22] Filed: **Dec. 9, 1997**

[51] **LOC (6) Cl.** **13-03**

[52] **U.S. Cl.** **D13/154; D13/156**

[58] **Field of Search** D13/156, 154;
174/138 F, 74 R, 74 A; 439/447, 901, 730,
519, 521, 523

[56] **References Cited**

U.S. PATENT DOCUMENTS

D. 361,751	8/1995	Geis	D13/154
2,550,358	4/1951	Grand et al.	174/135
3,528,051	9/1970	Toedtman et al.	439/447
3,893,743	7/1975	Wallo	439/578
5,453,579	9/1995	Cohea	174/153 G

Primary Examiner—Joel Sincavage

[57] **CLAIM**

The ornamental design for an electrical connector shell, as shown and described.

DESCRIPTION

A portion of the disclosure of this patent document contains material to which a claim for copyright is made. The copyright owner has no objection to the facsimile reproduction by anyone of the patent document or the patent disclosure, as it appears in the Patent and Trademark Office patent file or records, but reserves all other copyright rights whatsoever.

FIG. 1, is a top view of the electrical connector shell according to the present invention;

FIG. 2 is a back view of the electrical connector shell shown in FIG. 1;

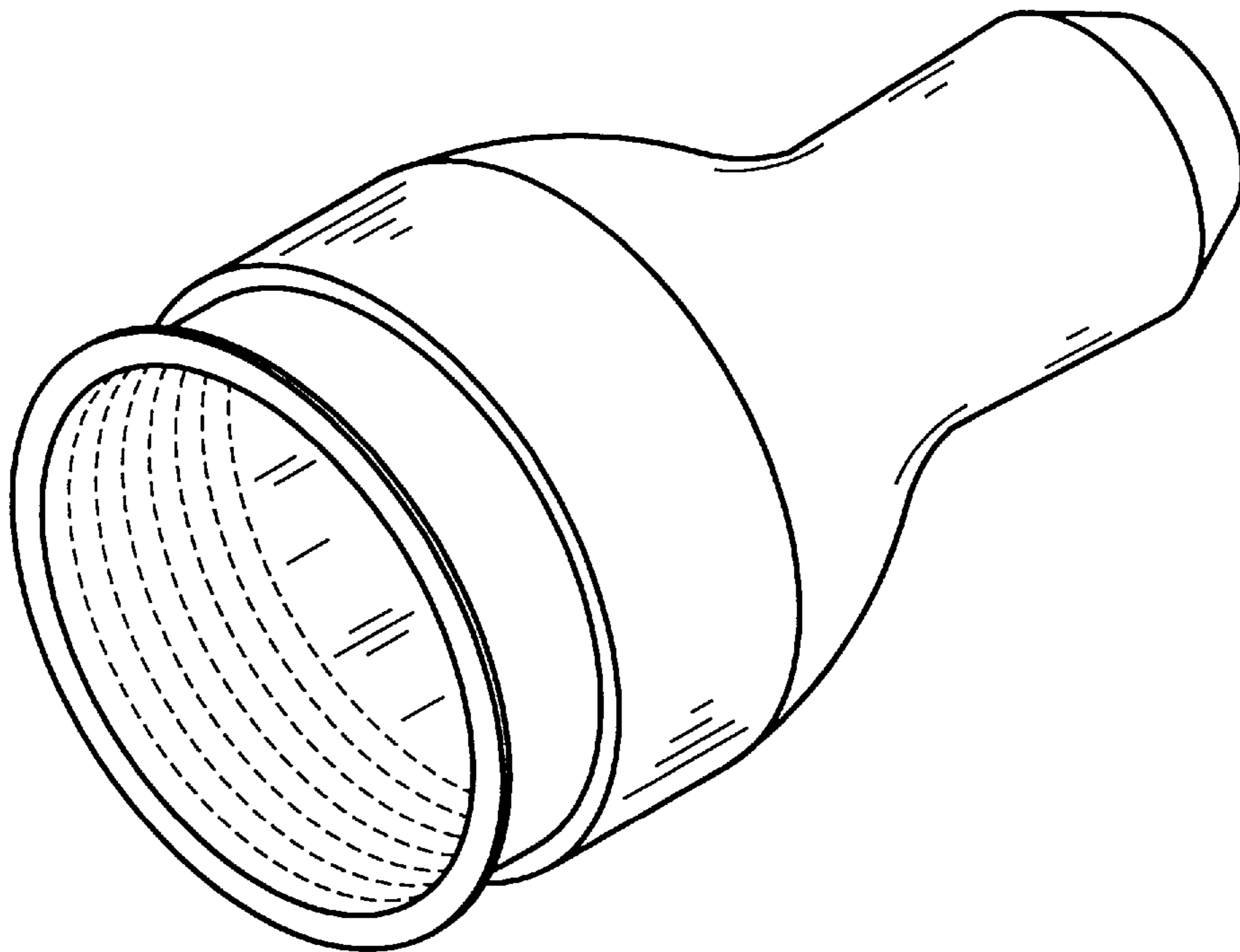
FIG. 3 is a front view of the electrical connector shell shown in FIG. 1;

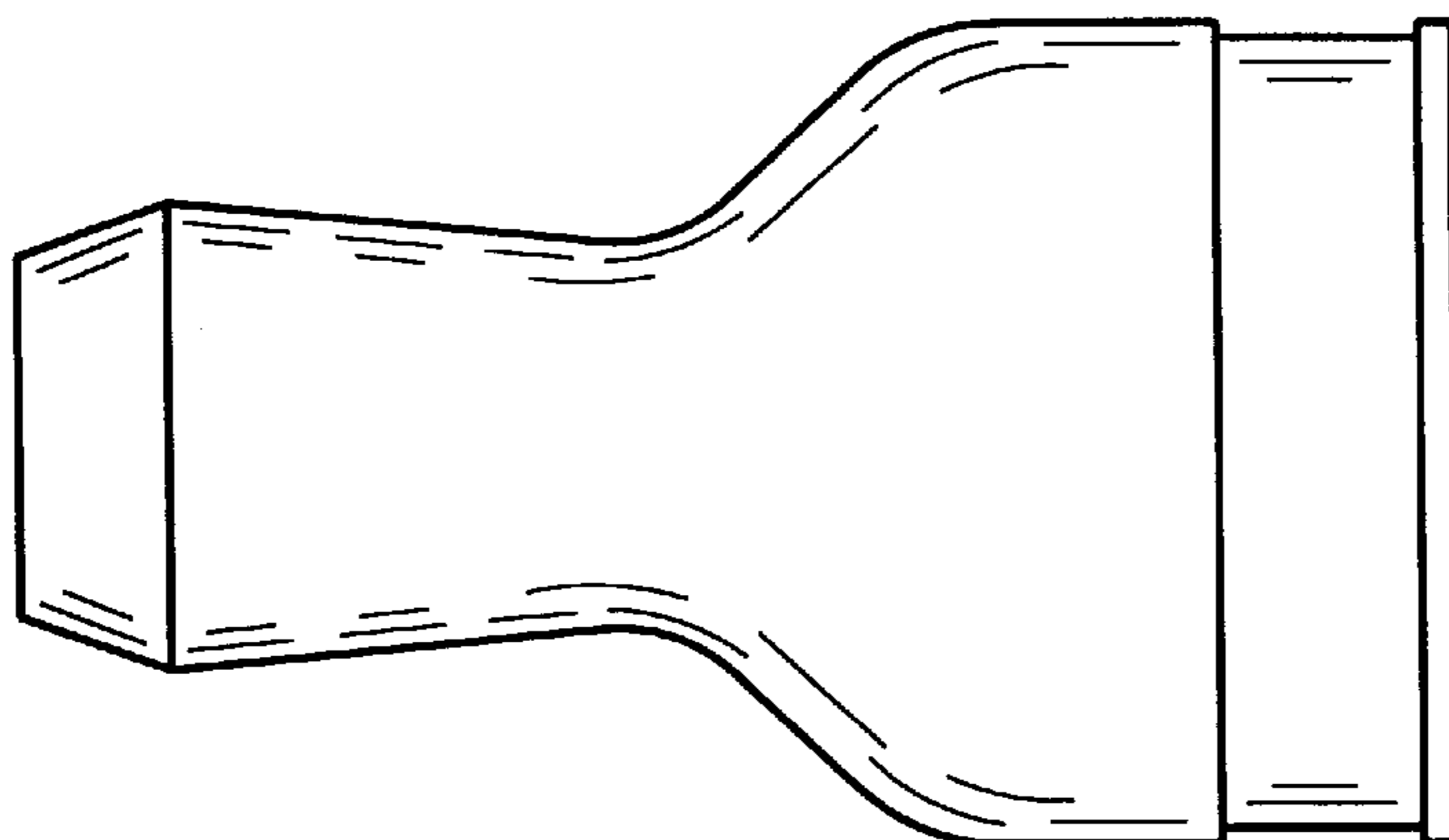
FIG. 4 is a perspective view of the electrical connector shell shown in FIG. 1; and,

FIG. 5 is a perspective view of the electrical connector shell shown in FIG. 1.

The broken line showing in FIGS. 4 and 5 is included for the purpose of illustrating environmental structure only and forms no part of the claimed design.

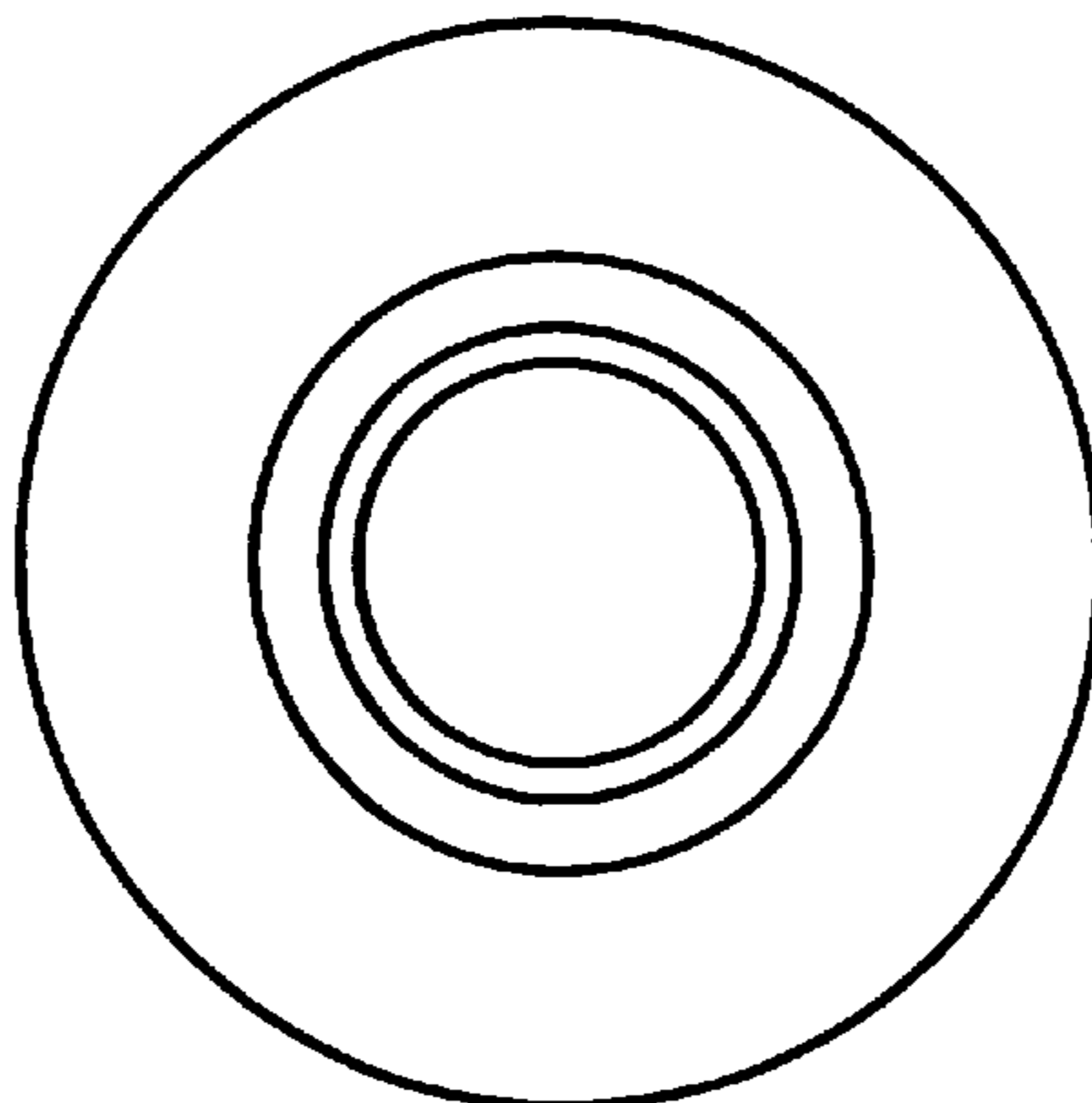
1 Claim, 2 Drawing Sheets





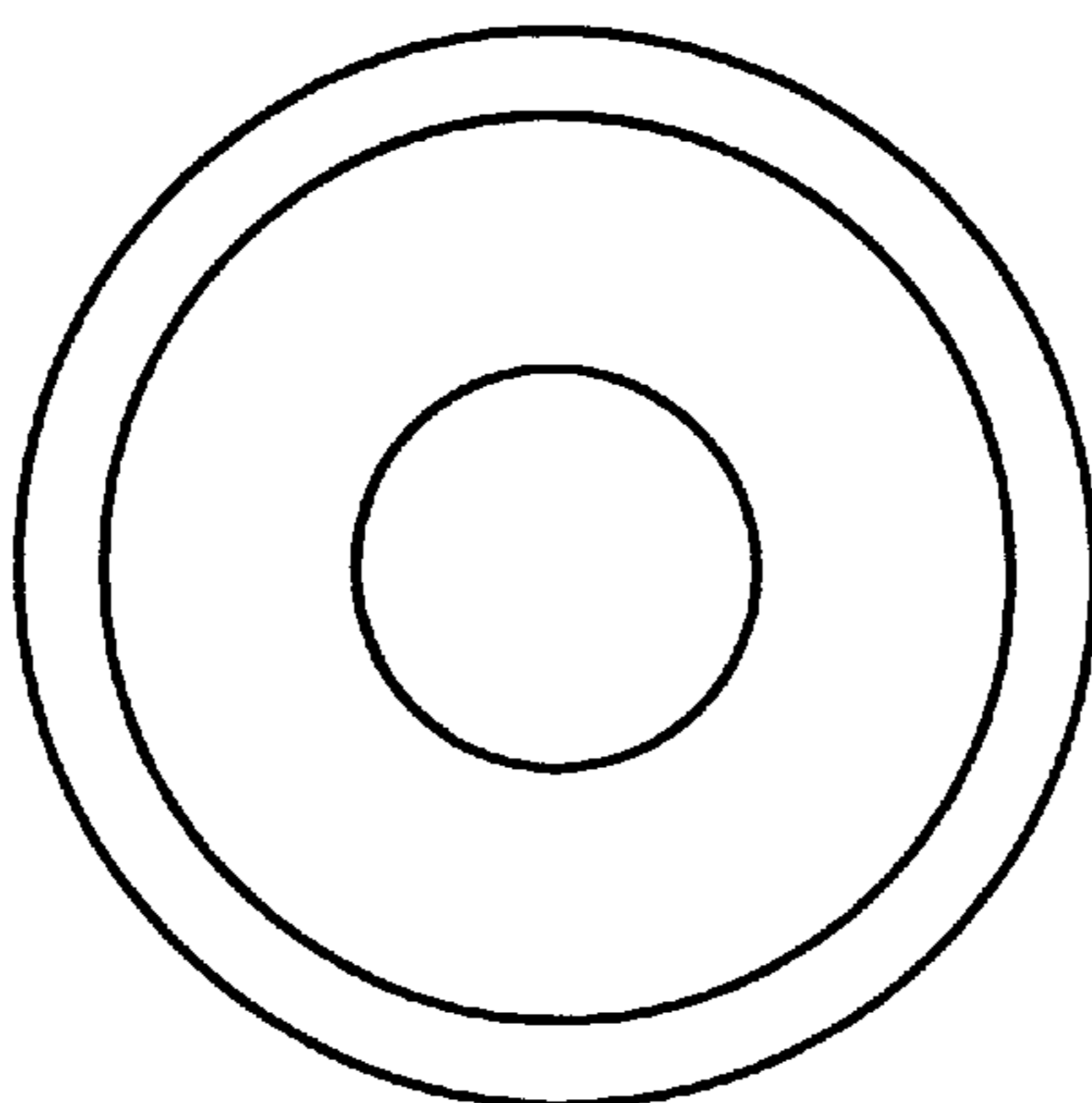
© 1997 MONSTER CABLE PRODUCTS, INC.

FIG. 1



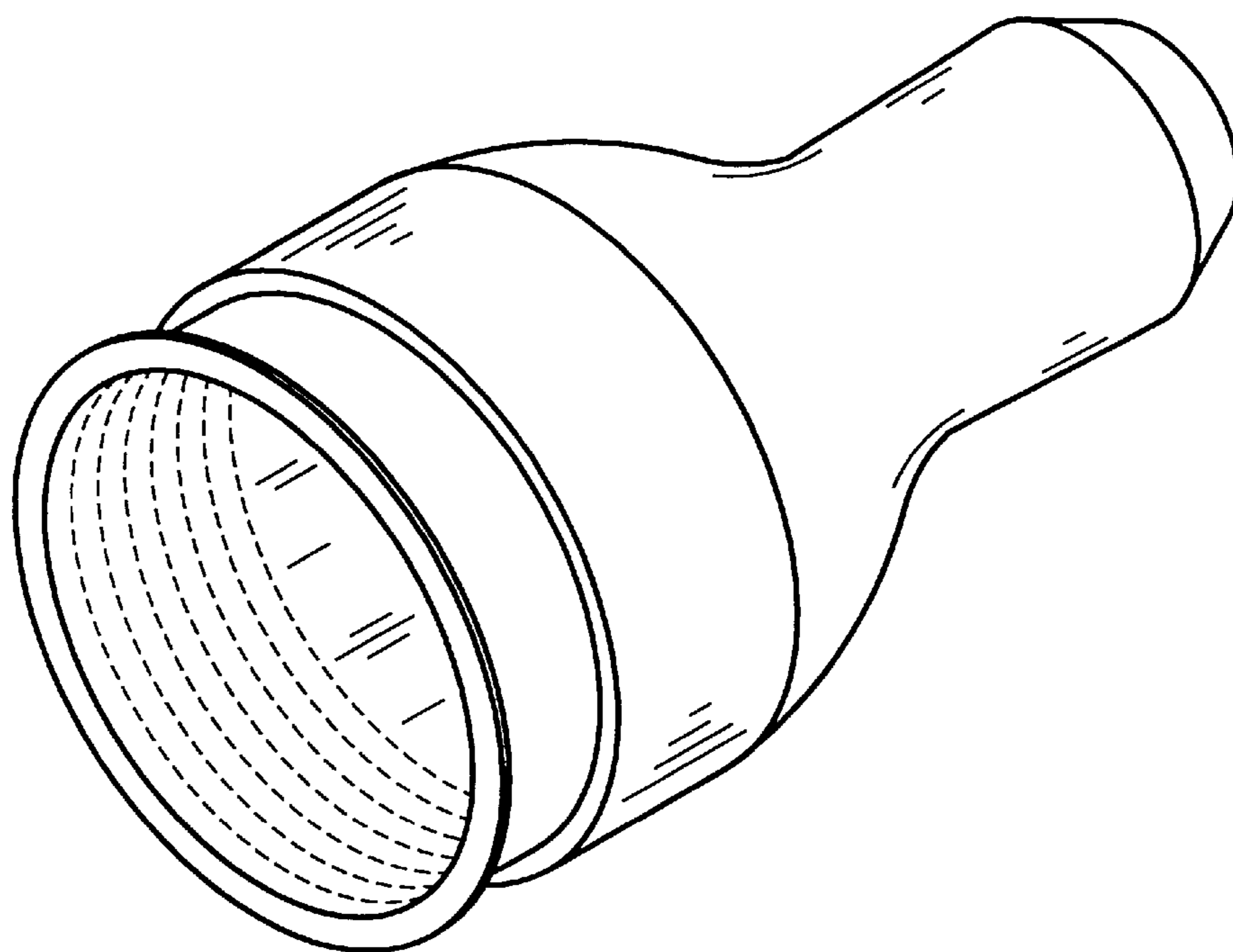
© 1997 MONSTER CABLE PRODUCTS, INC.

FIG. 2



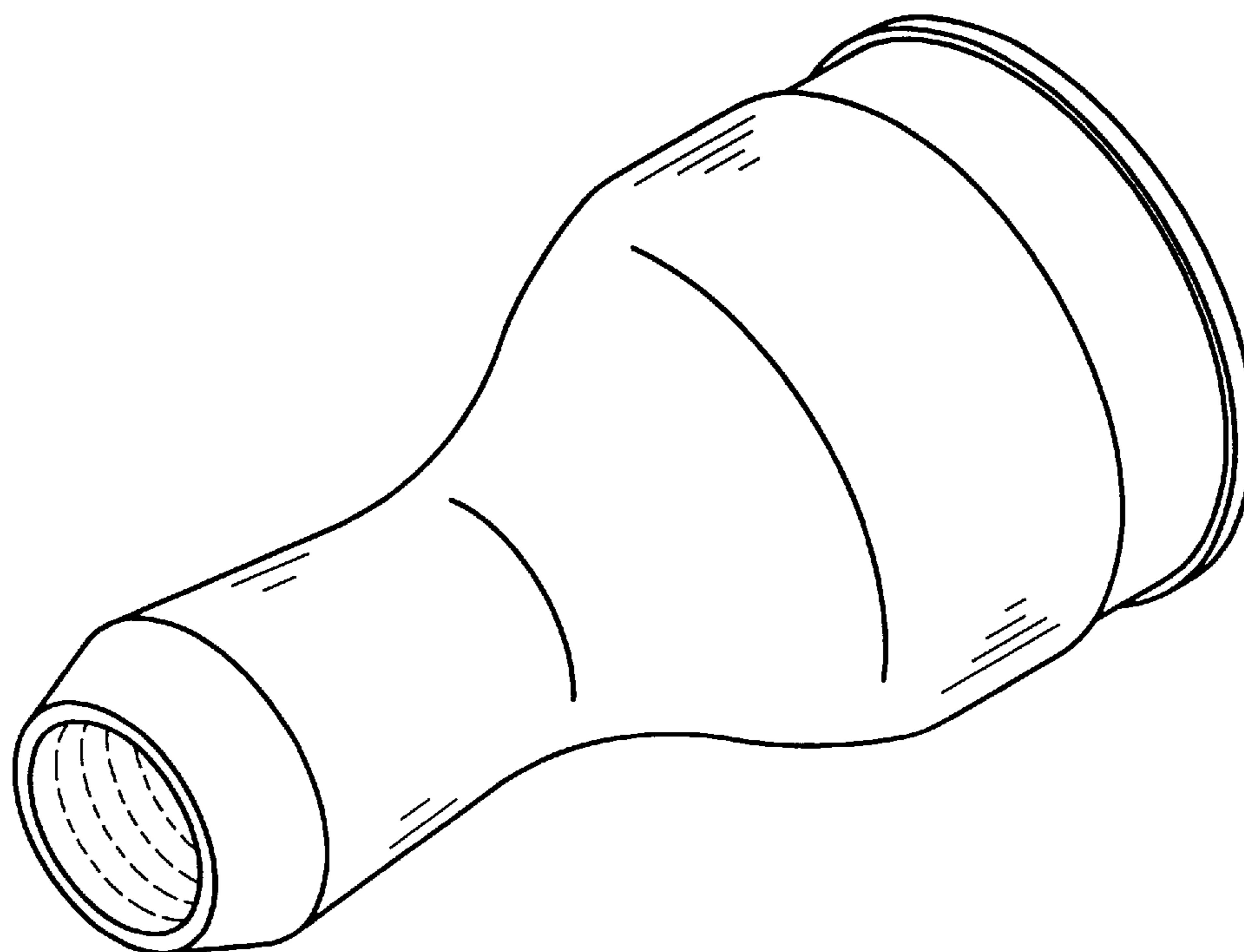
© 1997 MONSTER CABLE PRODUCTS, INC.

FIG. 3



© 1997 MONSTER CABLE PRODUCTS, INC.

FIG. 4



© 1997 MONSTER CABLE PRODUCTS, INC.

FIG. 5