



US00D404715S

United States Patent [19] Almond

[11] **Patent Number: Des. 404,715**

[45] **Date of Patent: **Jan. 26, 1999**

[54] **ELECTRICAL JUNCTION BOX**

3,047,650 7/1962 Reiland 174/158

[75] Inventor: **Gordon S. Almond**, Kelowna, Canada

Primary Examiner—Joel Sincavage
Attorney, Agent, or Firm—George A. Seaby

[73] Assignee: **R123 Enterprises Ltd.**, Kelowna, Canada

[57] **CLAIM**

[**] Term: **14 Years**

The ornamental design for an electrical junction box, as shown and described.

[21] Appl. No.: **71,538**

DESCRIPTION

[22] Filed: **May 30, 1997**

FIG. 1 is an isometric view from above and one end of the electrical junction box showing my new design;

[51] **LOC (6) Cl.** **13-03**

[52] **U.S. Cl.** **D13/152**

FIG. 2 is an isometric view from below and the other end thereof;

[58] **Field of Search** D13/152, 139.4;
220/3.3; 174/48, 58; 439/535

FIG. 3 is a bottom elevation view thereof;

FIG. 4 is a side elevation view thereof; the other side being identical; and,

FIG. 5 is an end elevation view thereof, the other end being identical.

[56] **References Cited**

U.S. PATENT DOCUMENTS

D. 179,081 10/1956 Hudson D13/152 X

1 Claim, 2 Drawing Sheets

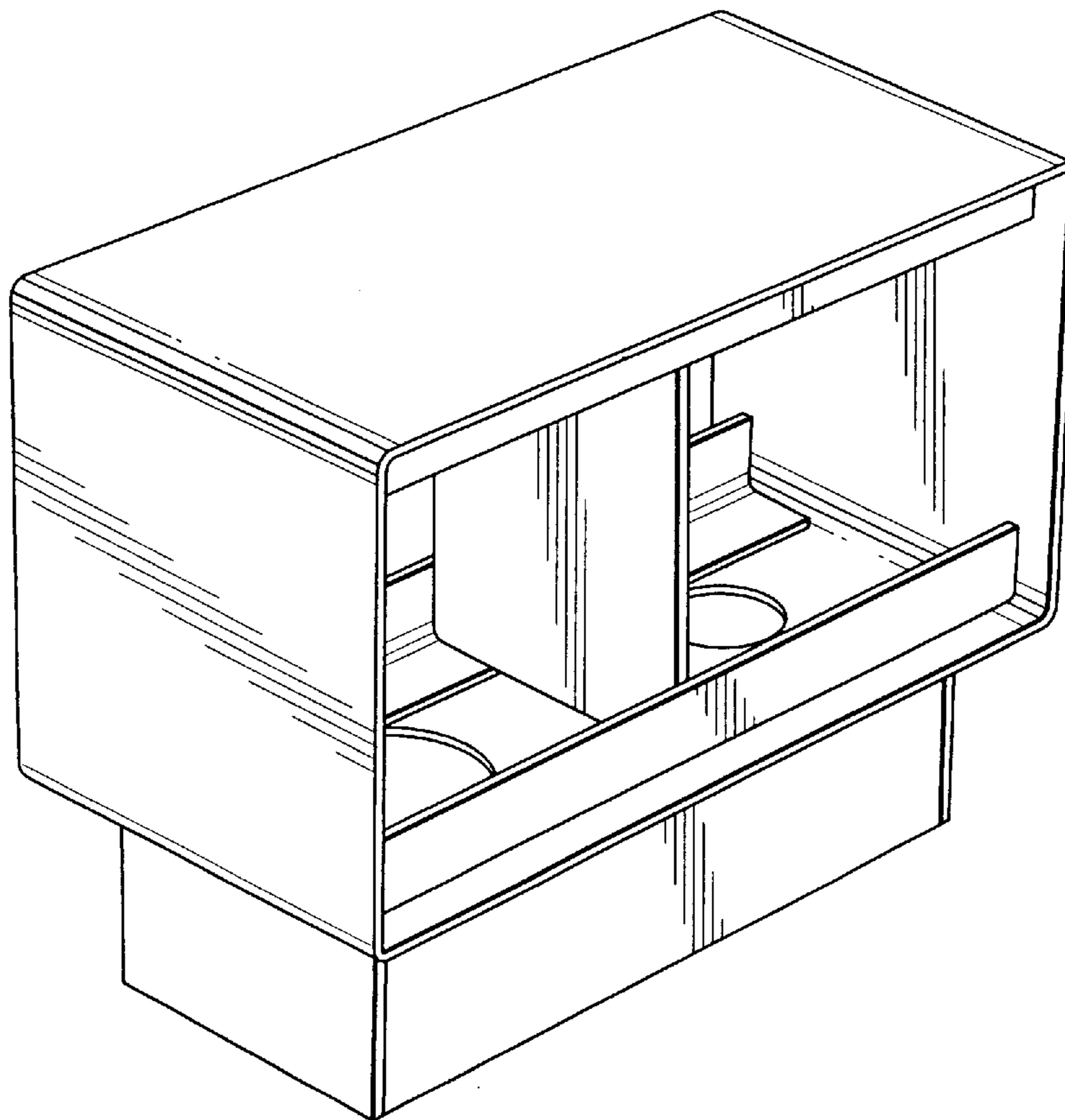


FIG. 1

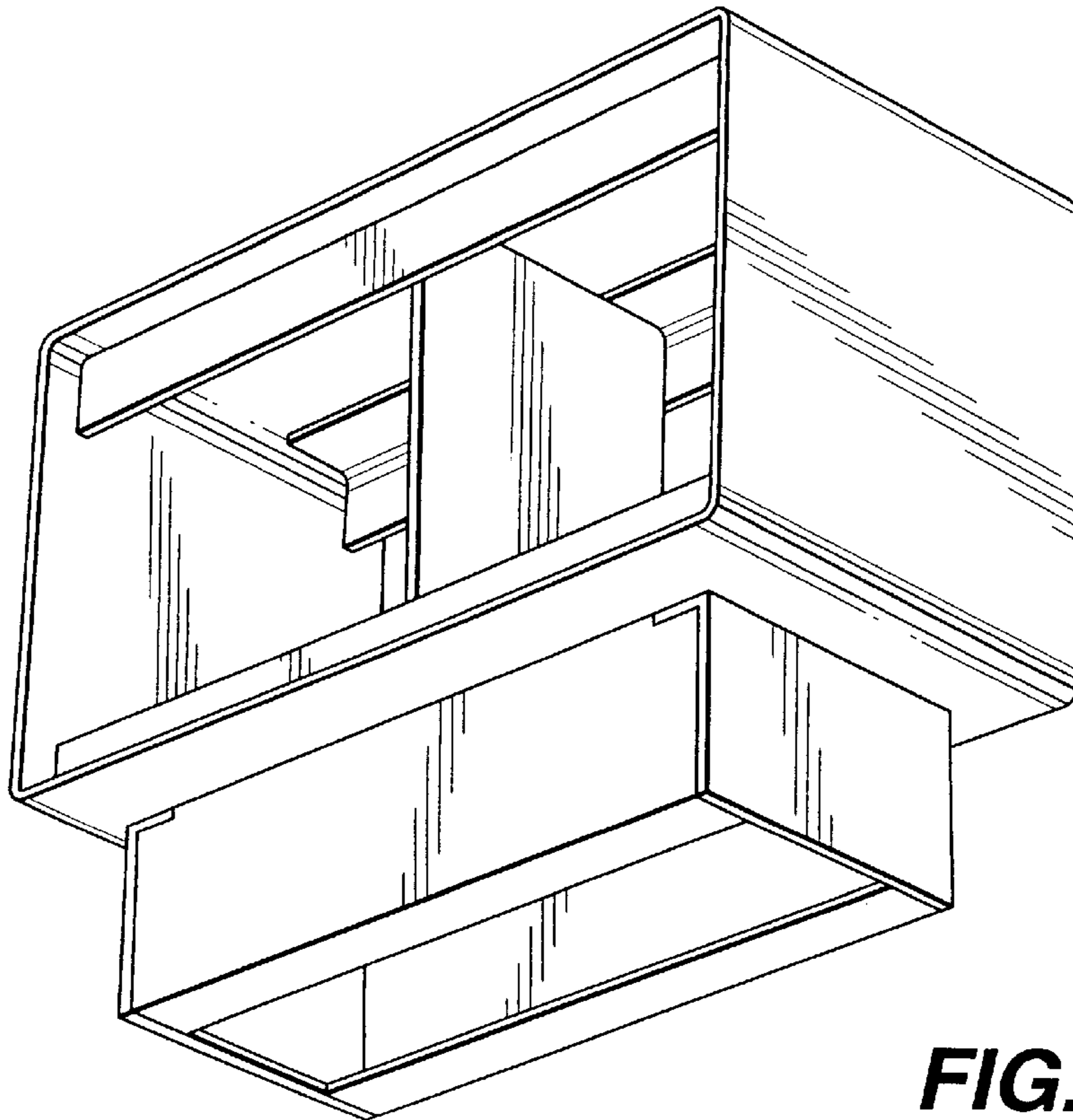
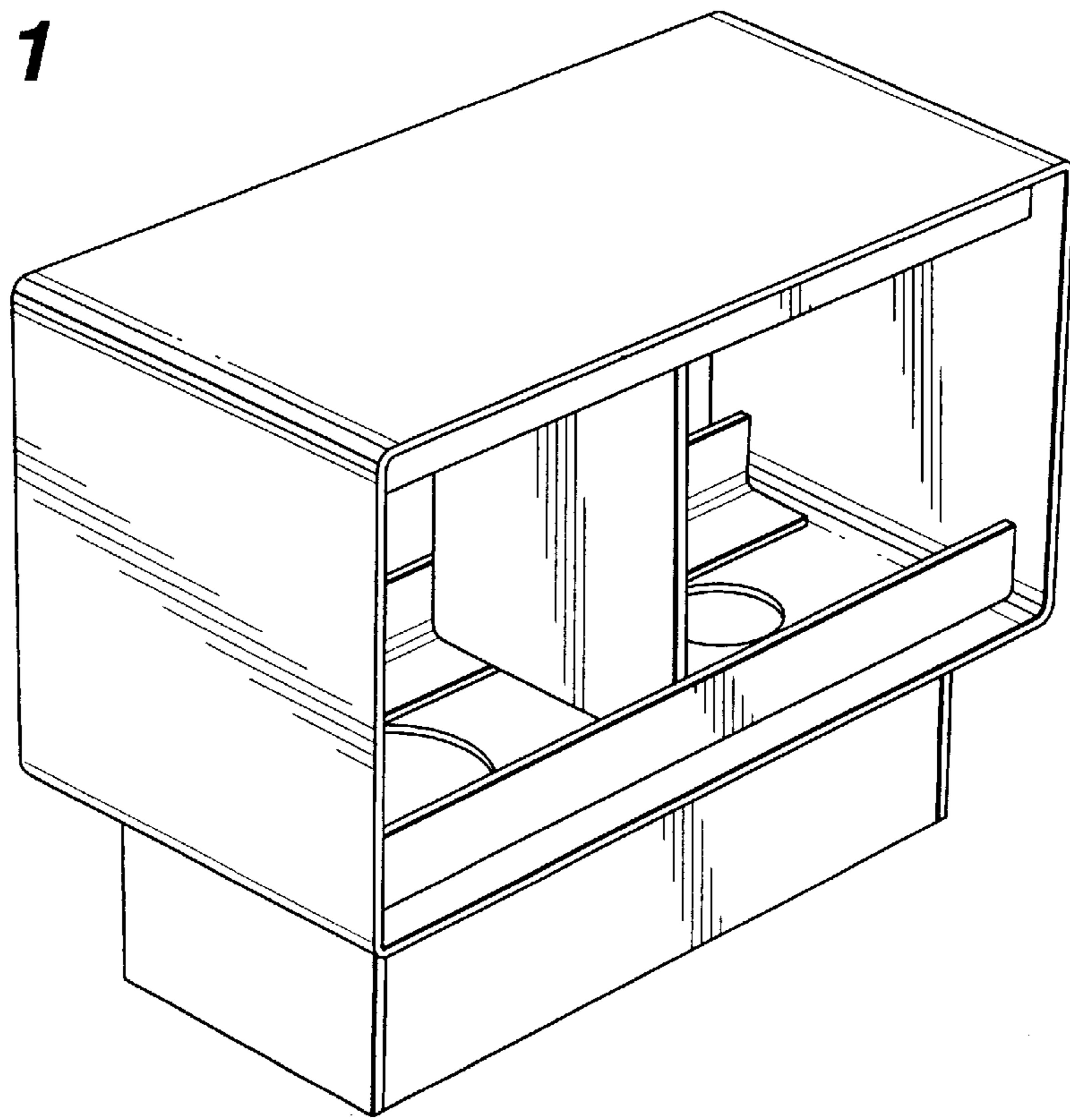


FIG. 2

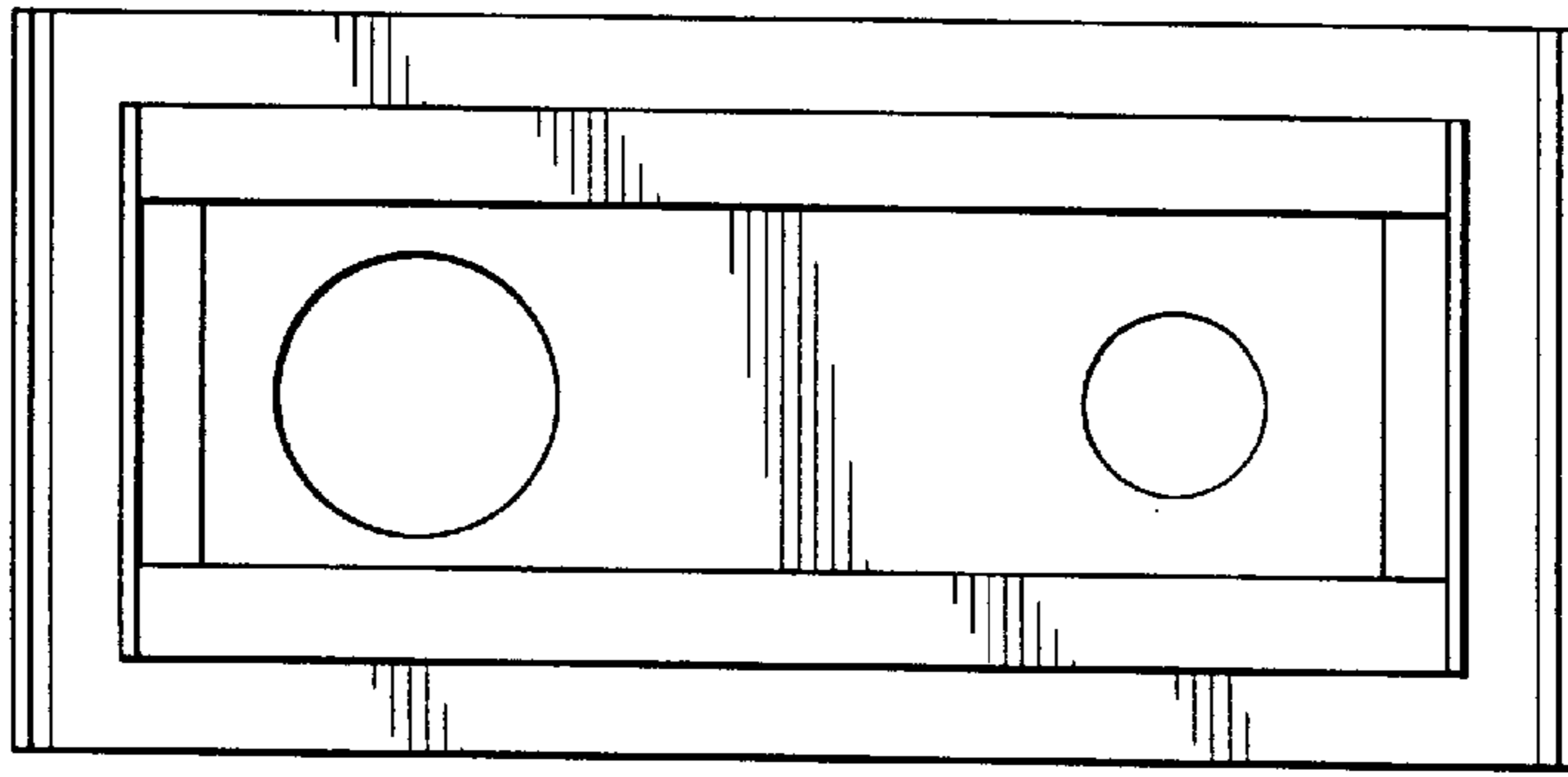


FIG. 3

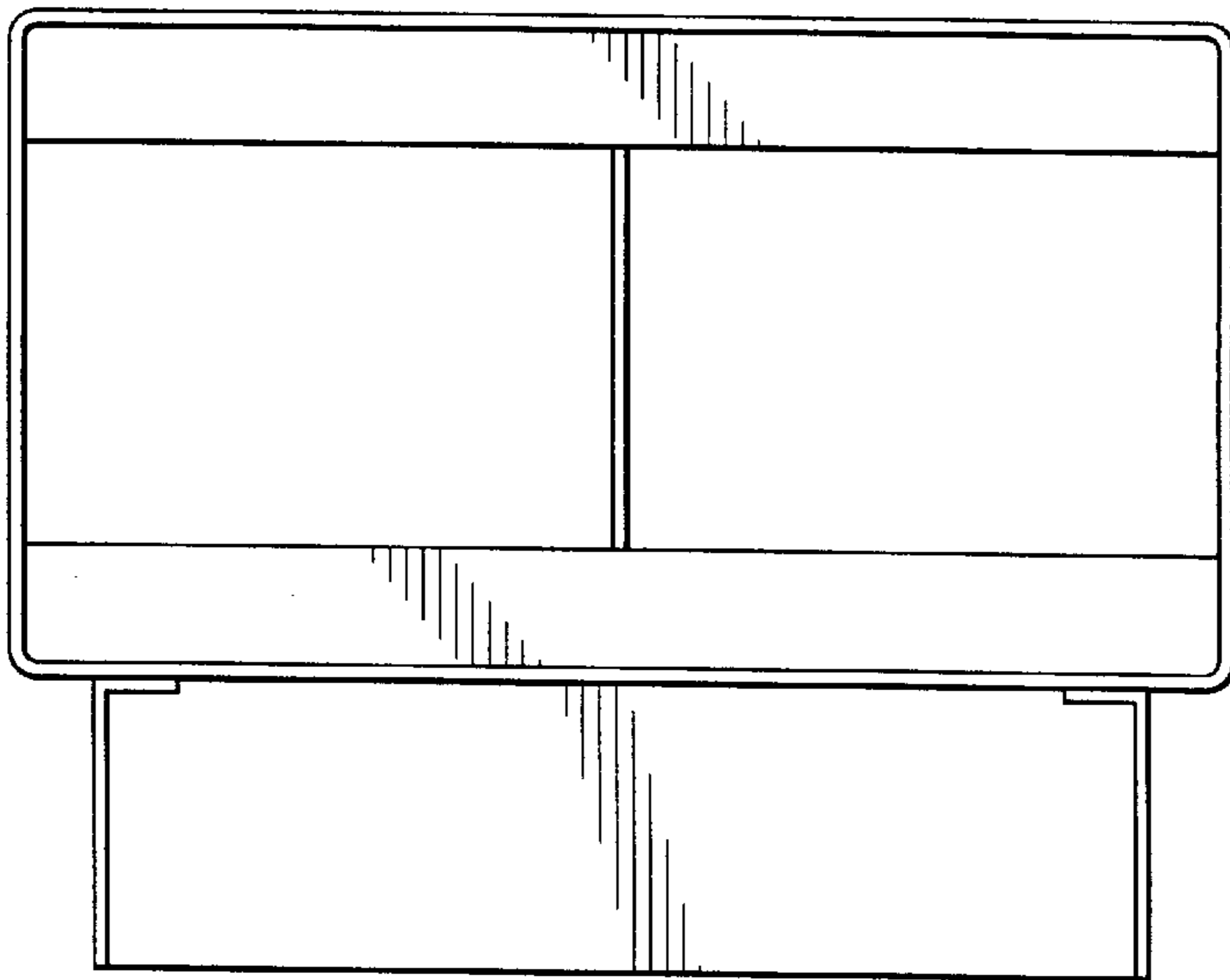


FIG. 4

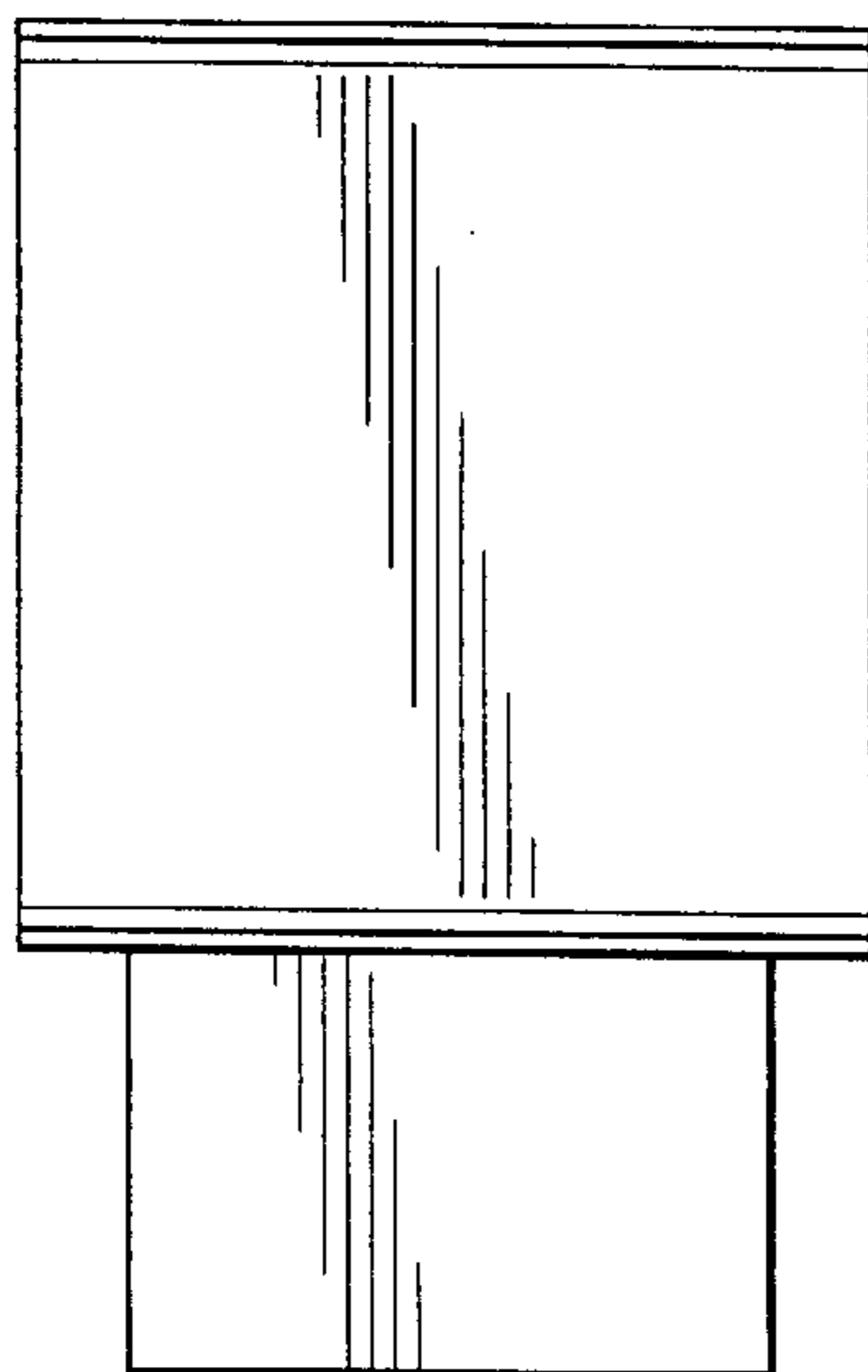


FIG. 5