



US00D404713S

United States Patent [19] Hsiang

[11] **Patent Number: Des. 404,713**

[45] **Date of Patent: **Jan. 26, 1999**

[54] **ADAPTER**

D. 396,691 8/1998 Shen D13/147

[75] Inventor: **Tzu-Yen Hsiang**, Taipei Hsien, Taiwan

Primary Examiner—Joel Sincavage
Attorney, Agent, or Firm—Bacon & Thomas

[73] Assignee: **Lantek Electronics, Inc.**, Taipei Hsien, Taiwan

[**] Term: **14 Years**

[57] **CLAIM**

The ornamental design for an adapter, as shown and described.

[21] Appl. No.: **86,874**

DESCRIPTION

[22] Filed: **Apr. 22, 1998**

FIG. 1 is a perspective view of an adapter, showing my new design;

[51] **LOC (6) Cl.** **13-03**

[52] **U.S. Cl.** **D13/147; D13/151**

FIG. 2 is a front elevational view thereof;

[58] **Field of Search** D13/146, 147,

D13/151, 152; 439/63, 535, 581; 174/52.1, 59, 60

FIG. 3 is a rear elevational view thereof;

FIG. 4 is a left side elevational view thereof;

FIG. 5 is a right side elevational view thereof;

FIG. 6 is a top plan view thereof; and,

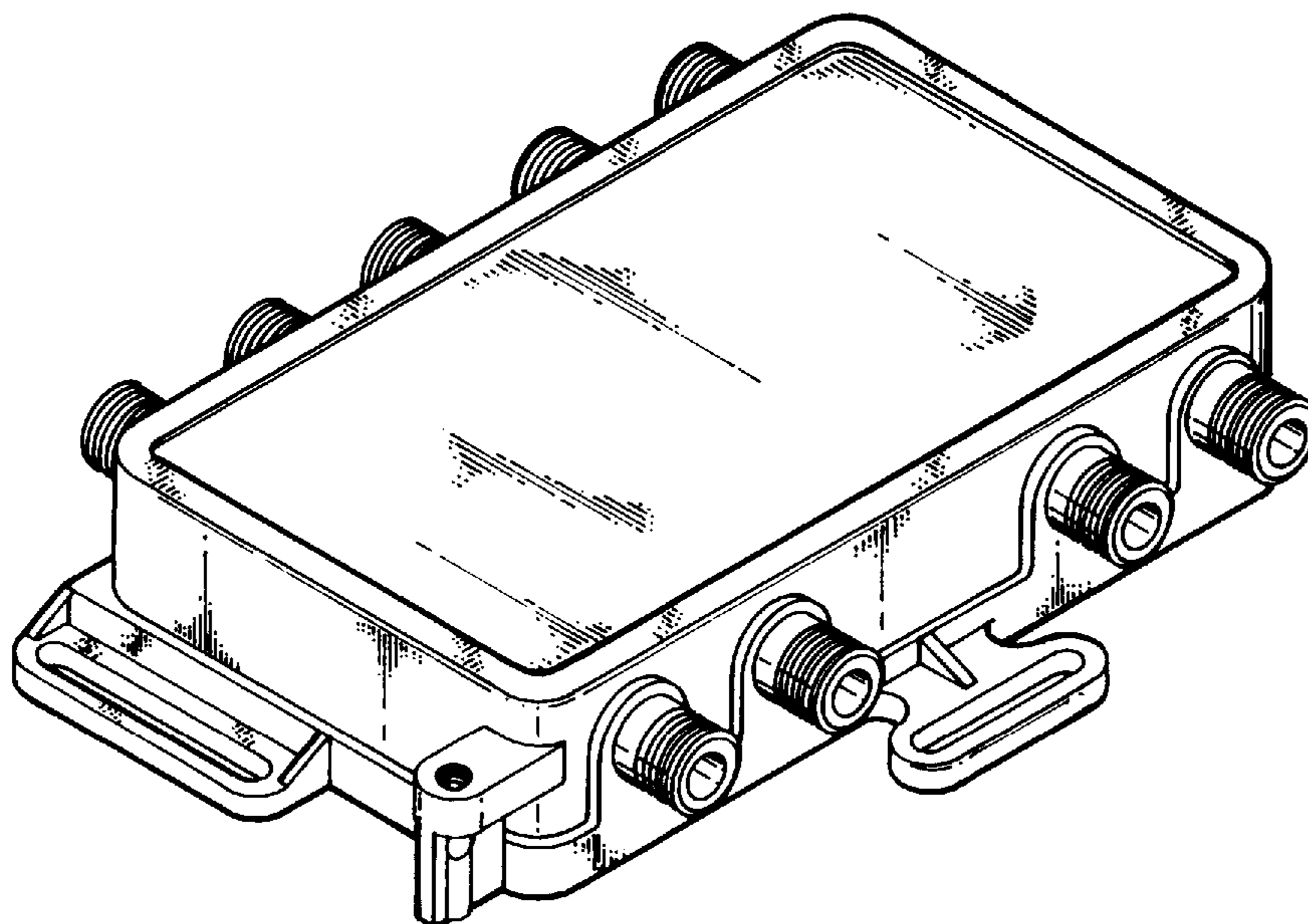
FIG. 7 is a bottom plan view thereof.

[56] **References Cited**

U.S. PATENT DOCUMENTS

D. 301,242 5/1989 Chino D13/147

1 Claim, 4 Drawing Sheets



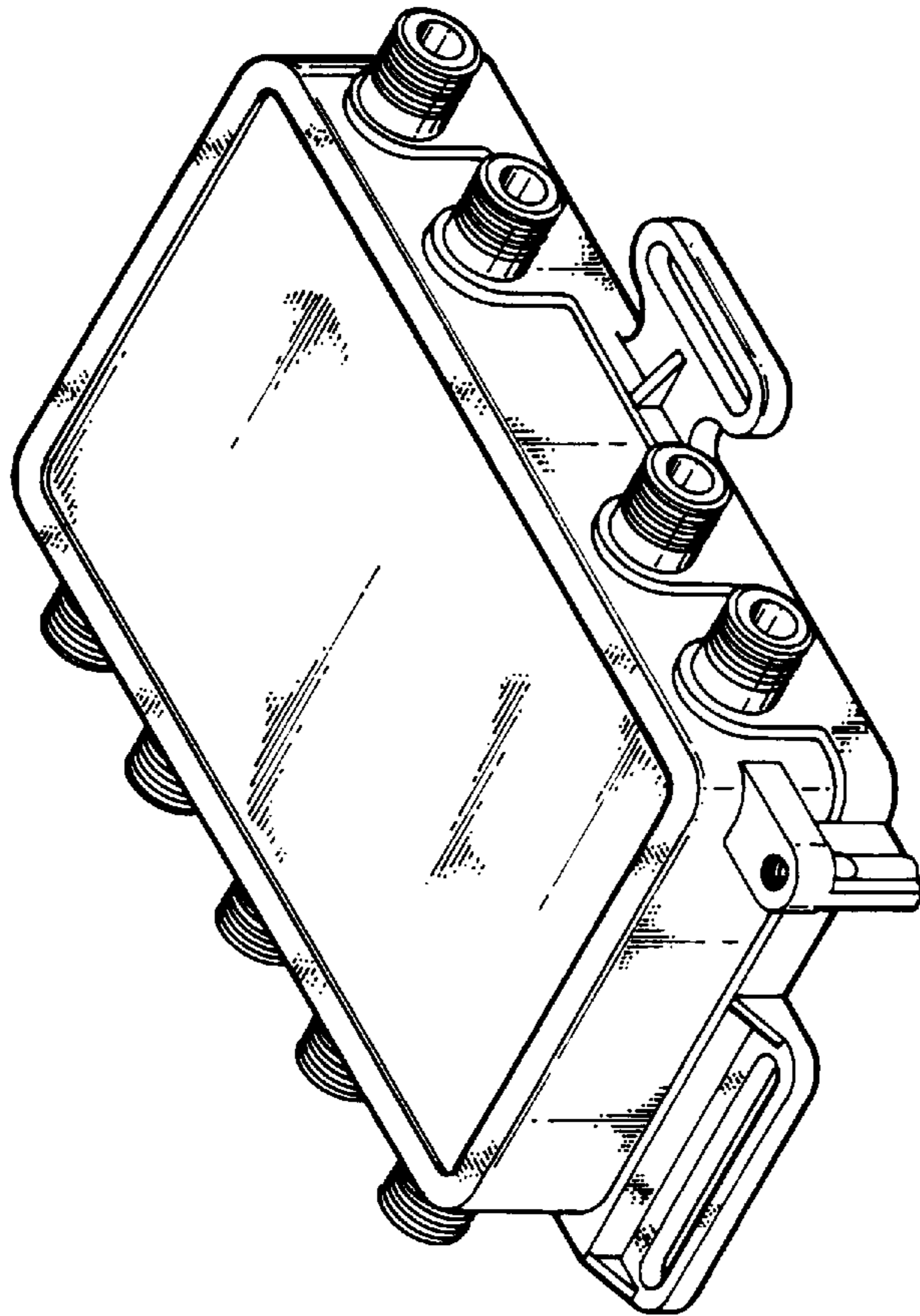


FIG 1

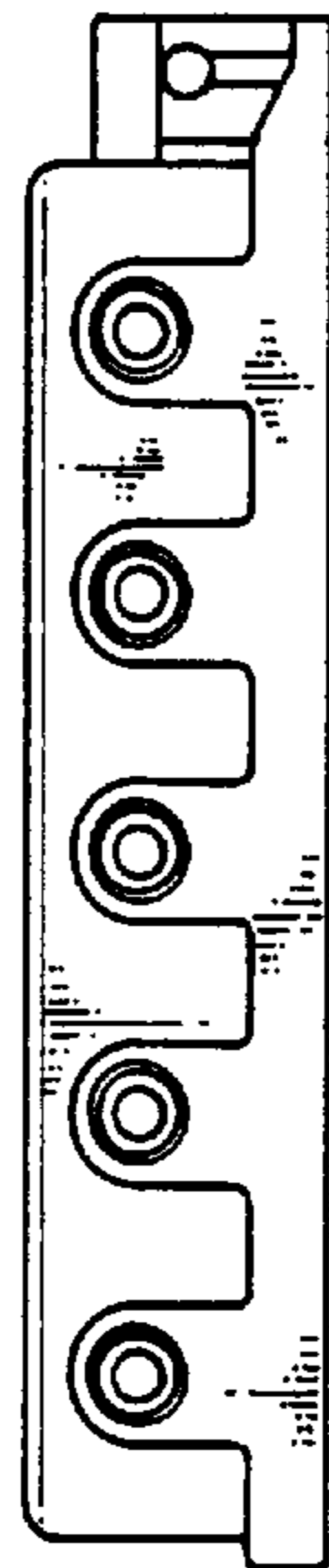


FIG 3

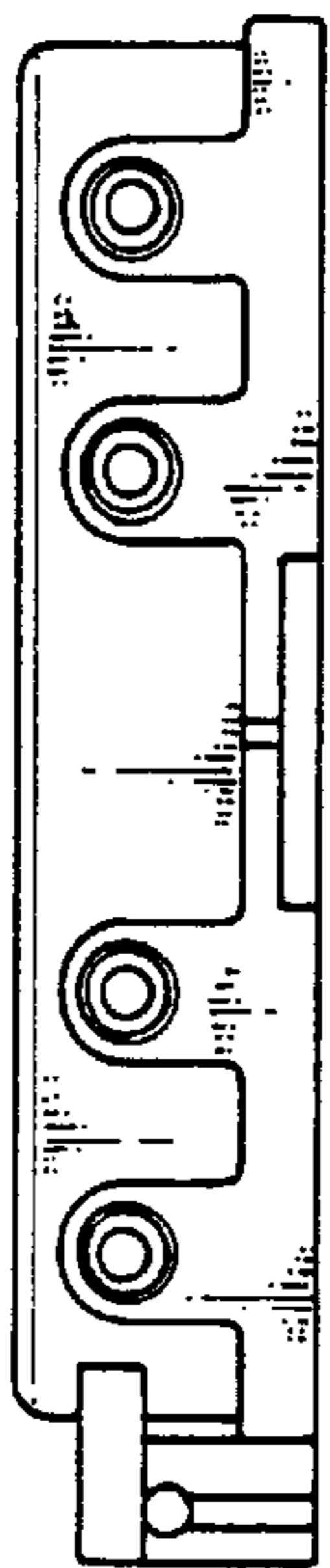


FIG 2



FIG 5

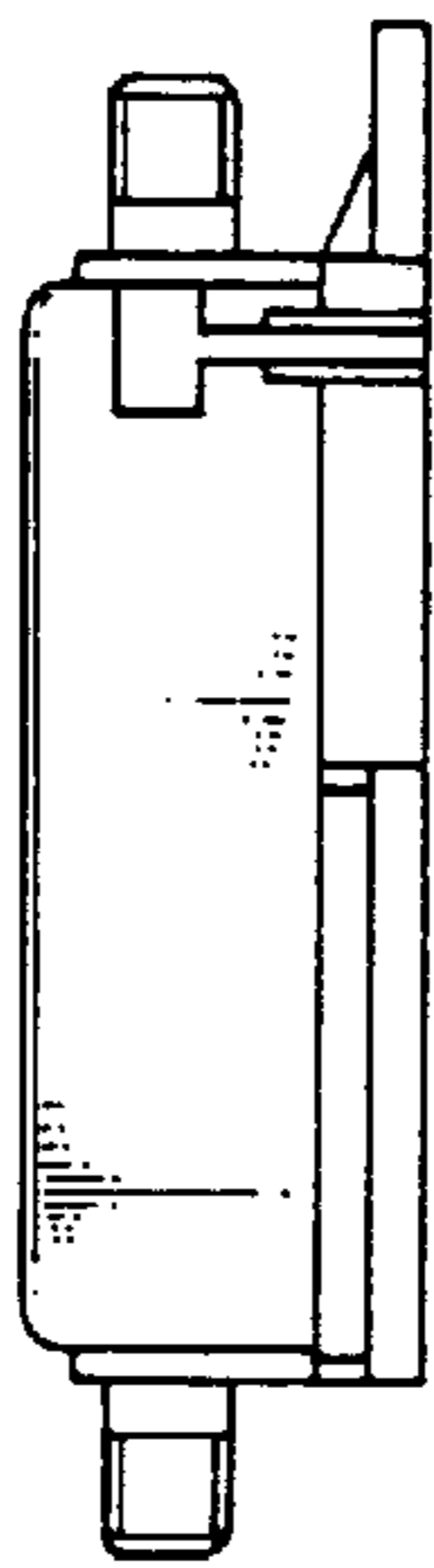


FIG 4

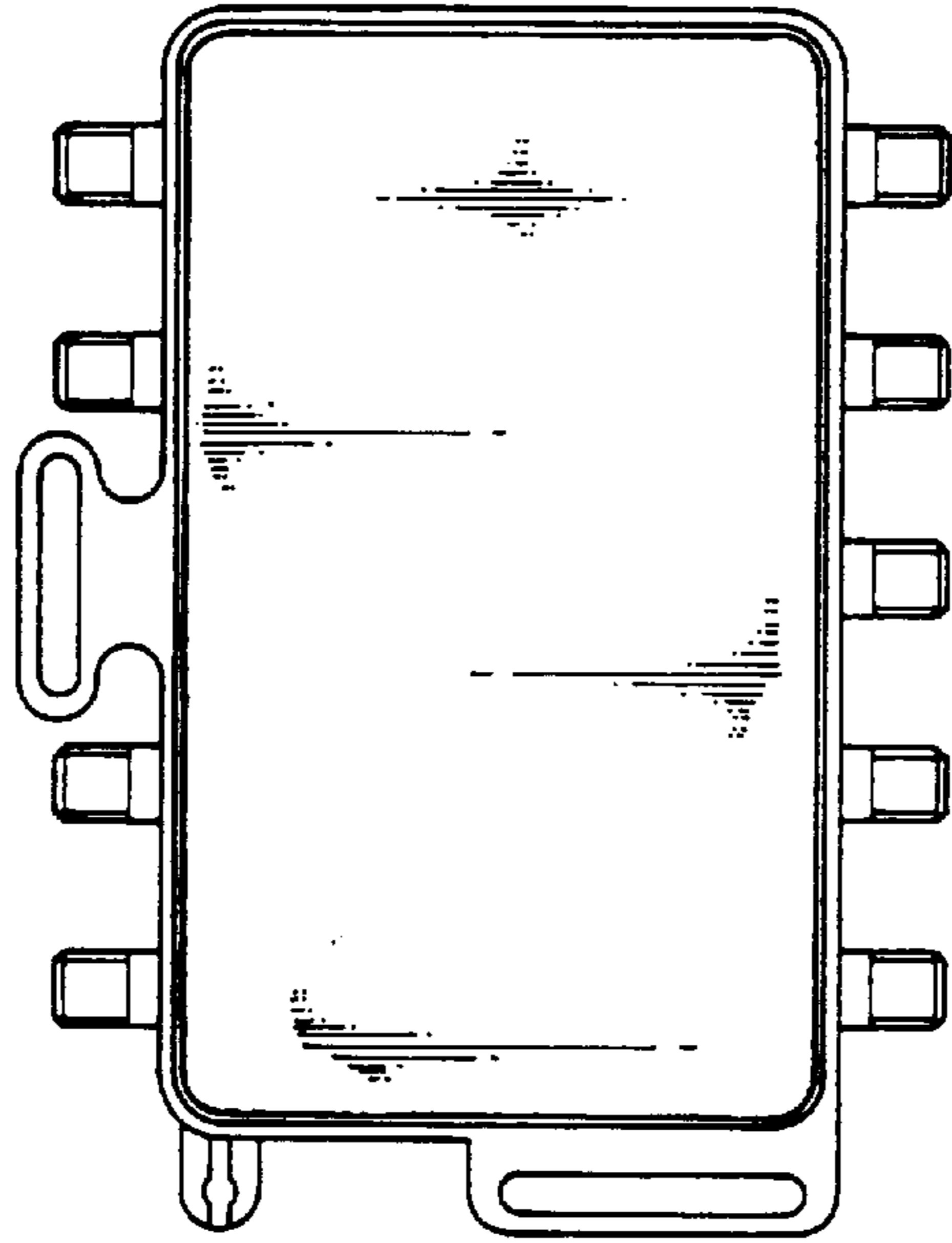


FIG 7

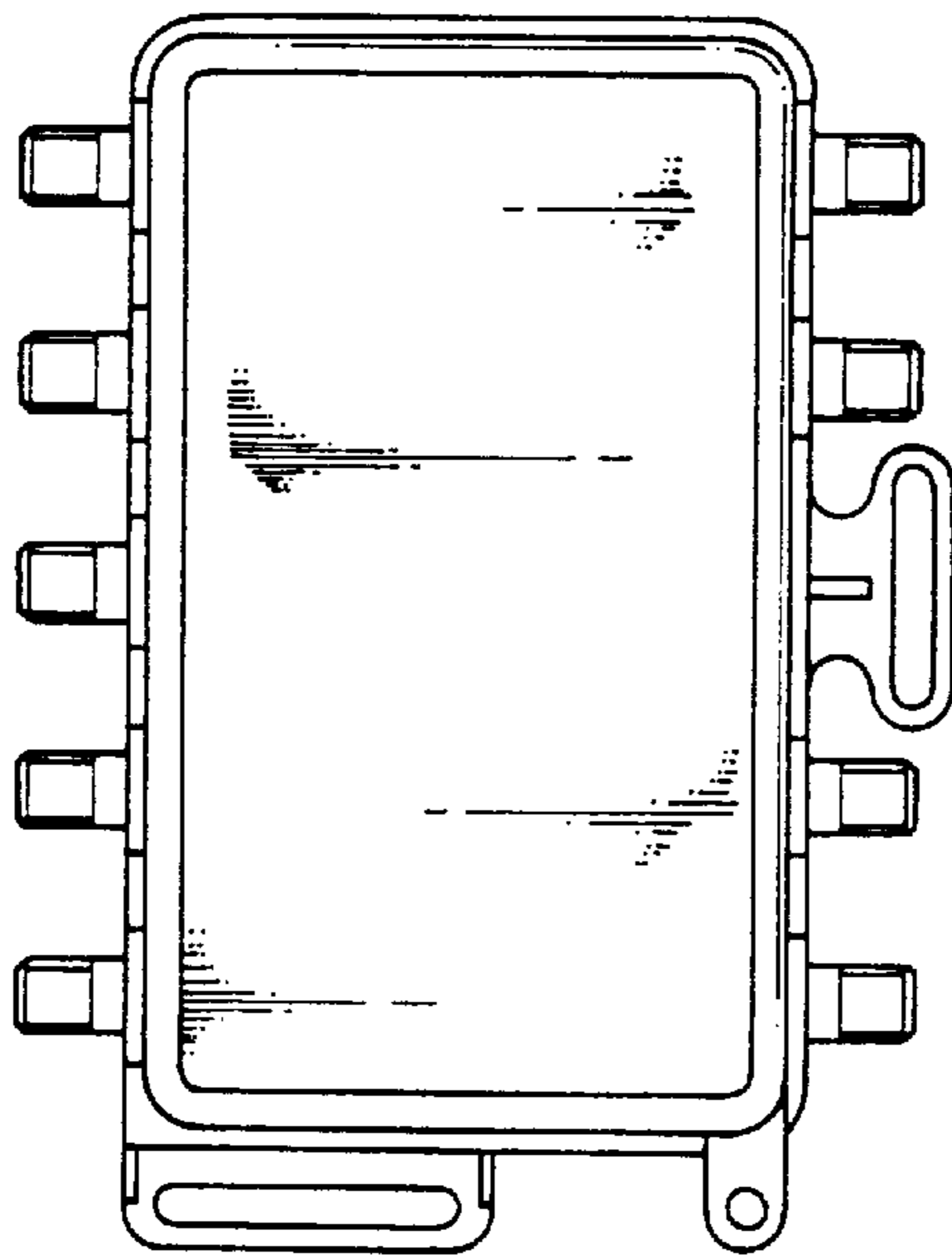


FIG 6