



US00D404710S

United States Patent [19]

[11] **Patent Number: Des. 404,710**

Lai et al.

[45] **Date of Patent: **Jan. 26, 1999**

[54] **HIGH DENSITY ELECTRICAL CONNECTOR**

5,554,036 9/1996 Shirai et al. 439/74
5,752,841 5/1998 Hori 439/108

[75] Inventors: **Chin-Yi Lai; Kun-Tsan Wu**, both of
Taipei Hsien, Taiwan

OTHER PUBLICATIONS

[73] Assignee: **Hon Hai Precision Ind. Co., Ltd.**,
Taipei Hsien, Taiwan

MOLEX, Catalog No. 890, SIMM Socket—78863 Series, p.
6F & Ribbon Cable Connector—5380 Dip Series, p. 27B,
1990.

[**] Term: **14 Years**

Primary Examiner—Alan P. Douglas
Assistant Examiner—Lavone D. Tabor

[21] Appl. No.: **78,626**

[22] Filed: **Oct. 30, 1997**

[57] CLAIM

[30] Foreign Application Priority Data

May 30, 1997 [TW] Taiwan 86304706

The ornamental design for a high density electrical connector, as shown.

[51] **LOC (6) Cl.** **13-03**

DESCRIPTION

[52] **U.S. Cl.** **D13/147**

[58] **Field of Search** D13/133, 146,
D13/147; 439/74, 79-81, 101, 108, 10,
267, 947

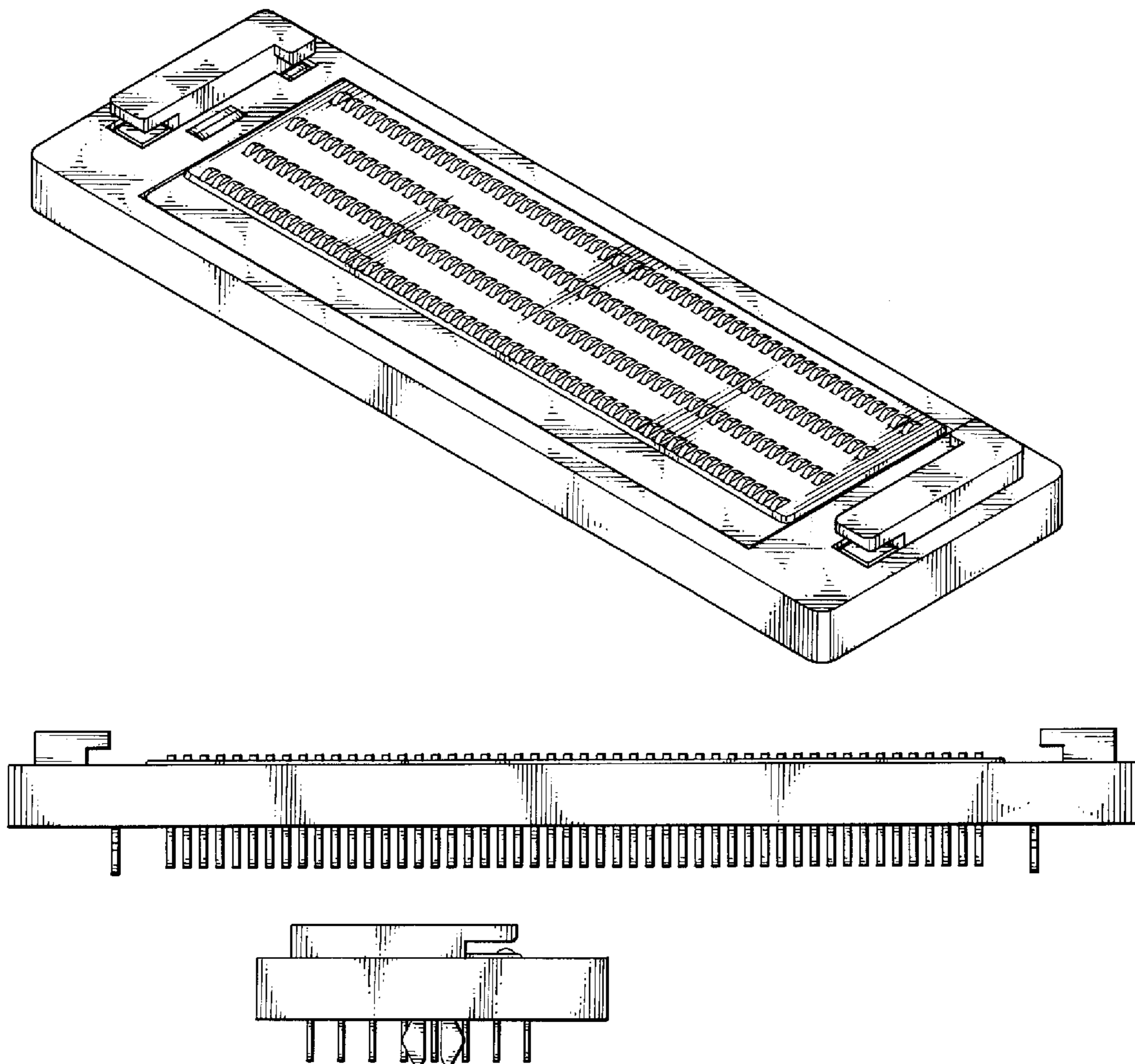
FIG. 1 is a perspective view of a high density electrical connector showing my new design;
FIG. 2 is a front elevational view thereof;
FIG. 3 is a rear elevational view thereof;
FIG. 4 is a left side elevational view thereof;
FIG. 5 is a right side elevational view thereof;
FIG. 6 is a top plan view thereof; and,
FIG. 7 is a bottom view thereof.

[56] References Cited

U.S. PATENT DOCUMENTS

5,470,237 11/1995 Byczek et al. 439/607 X
5,545,051 8/1996 Summers et al. 439/74 X

1 Claim, 7 Drawing Sheets



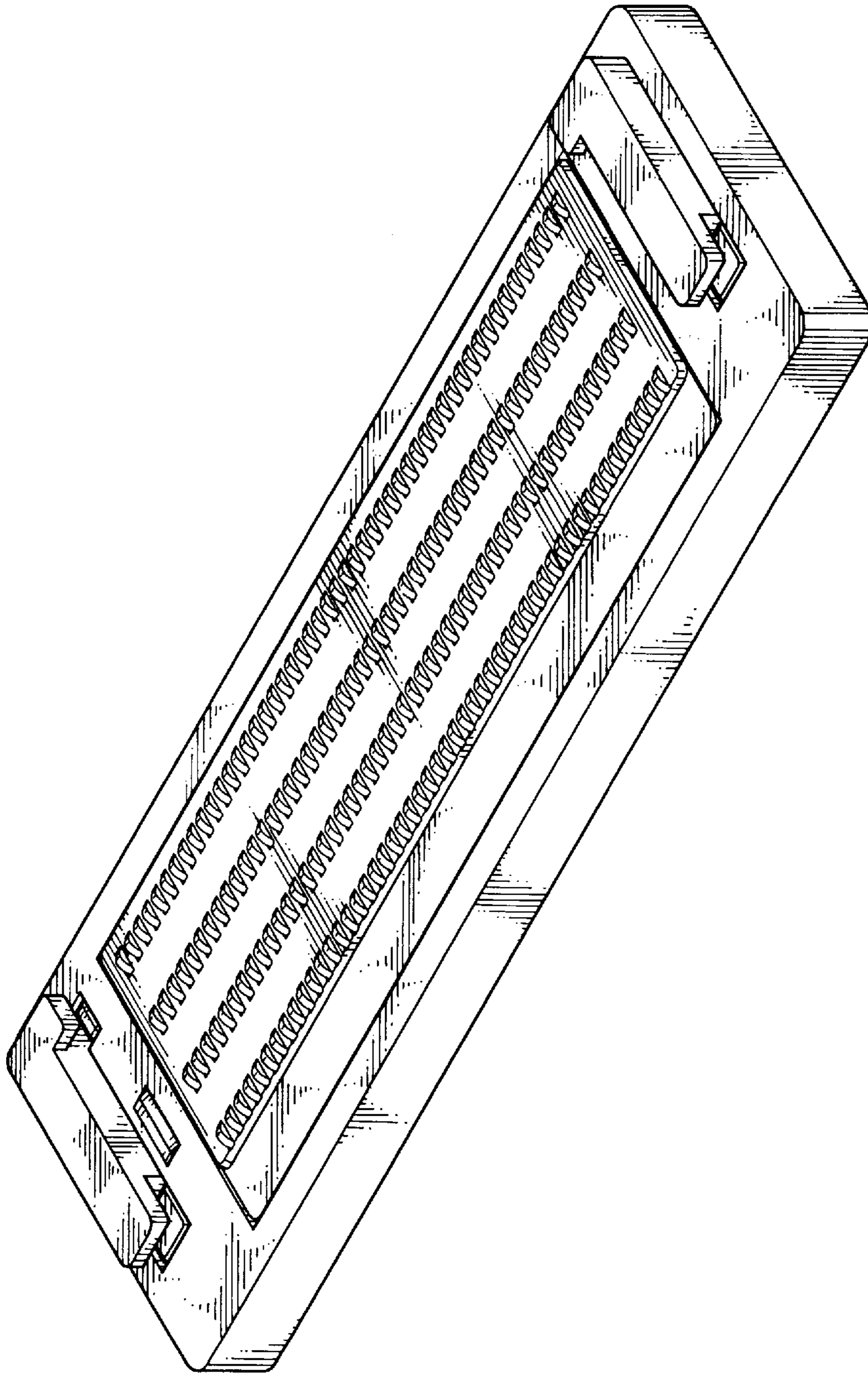


FIG. 1

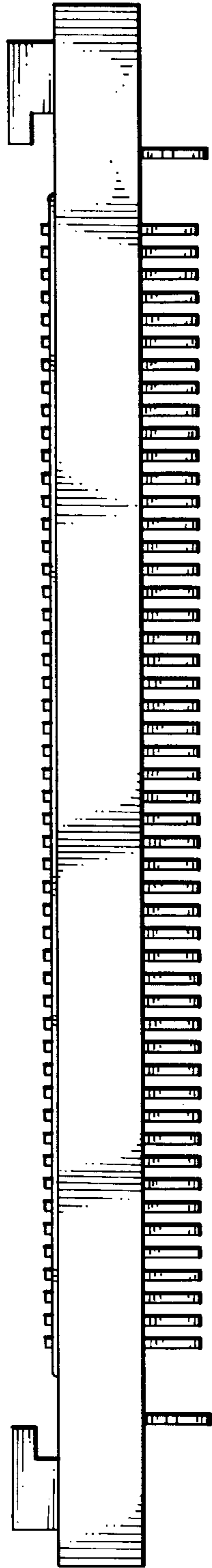


FIG. 2

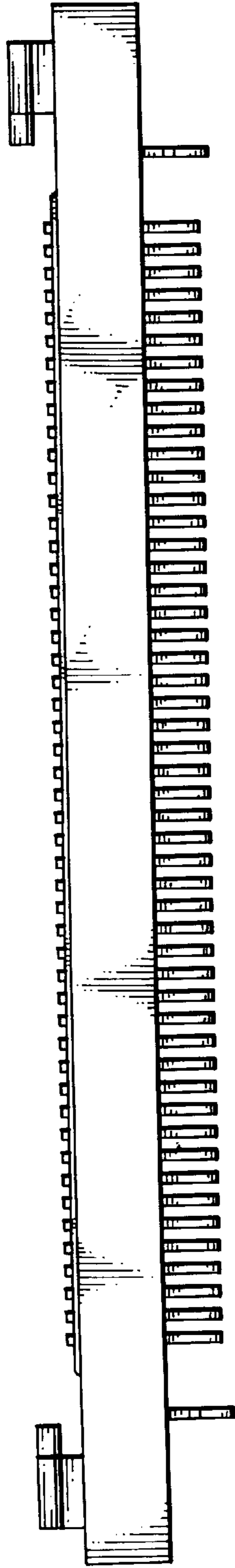


FIG. 3

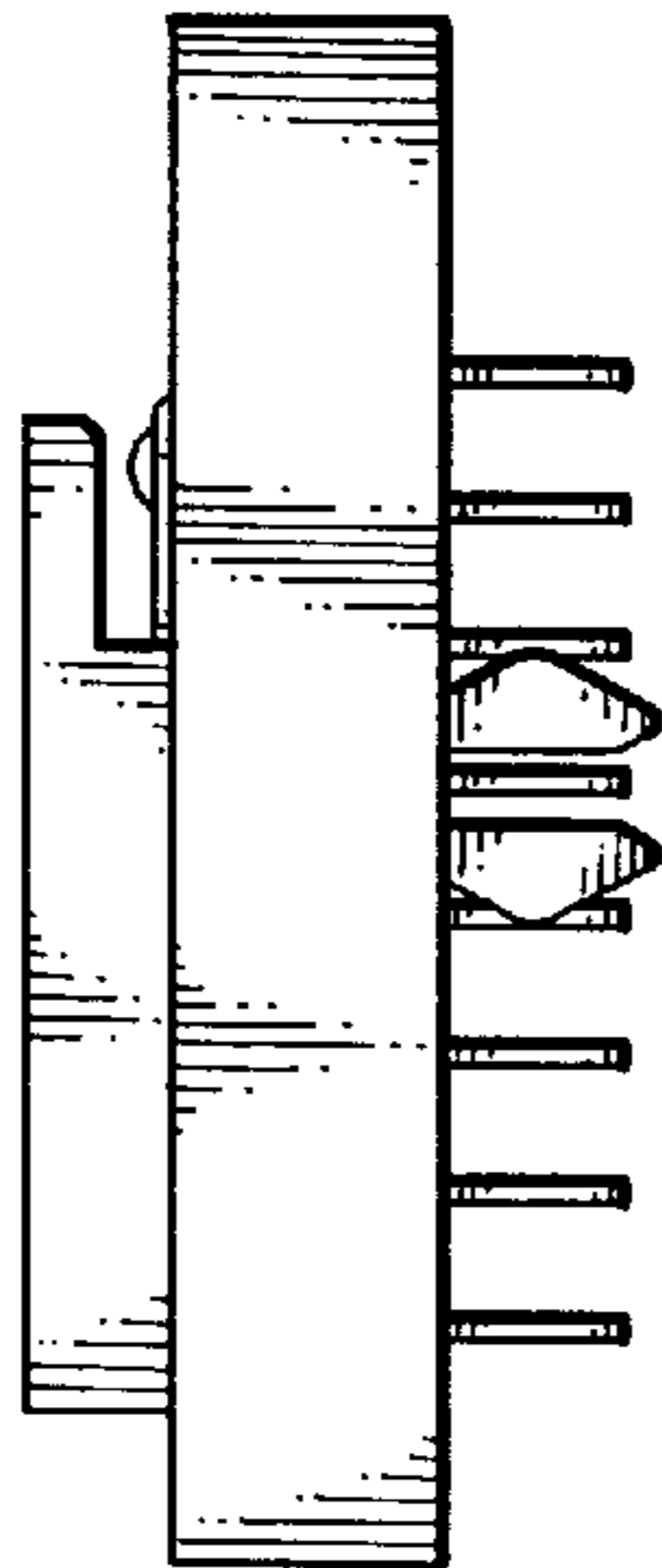


FIG. 4

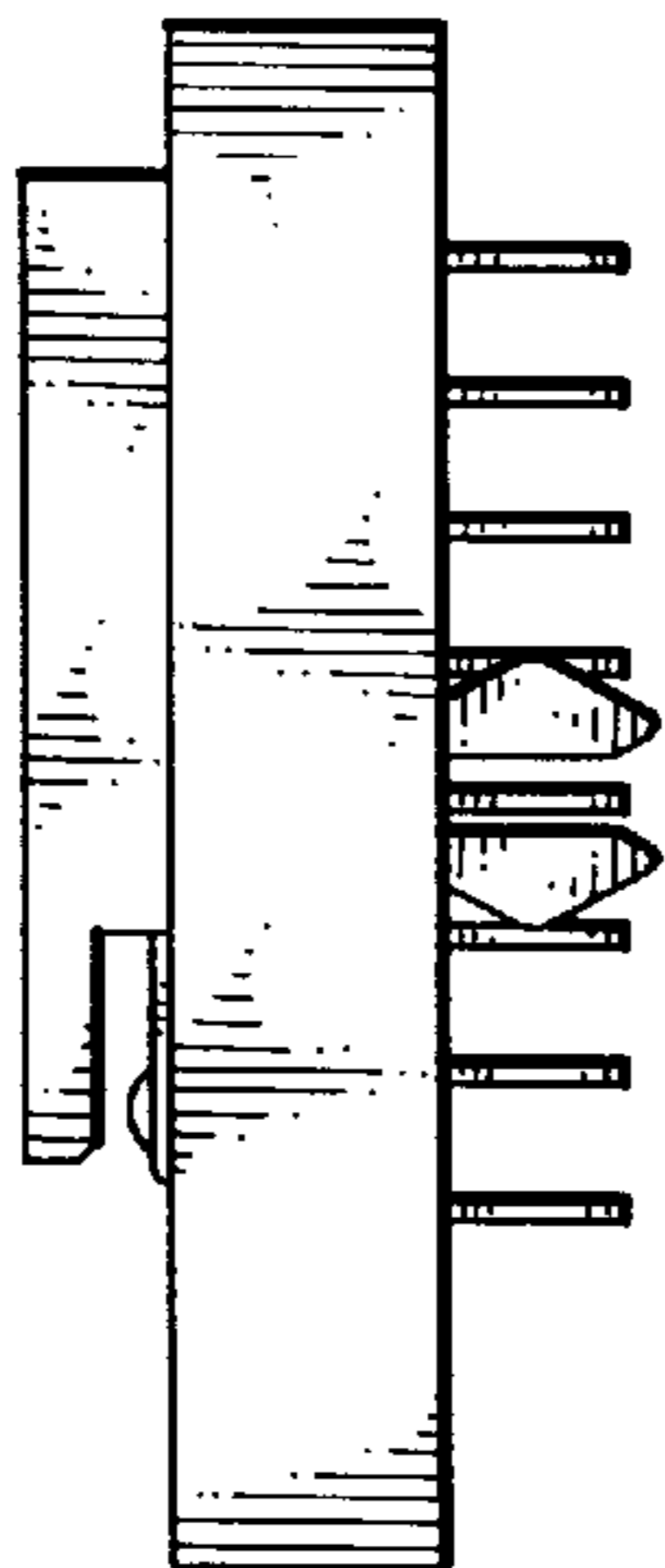


FIG. 5

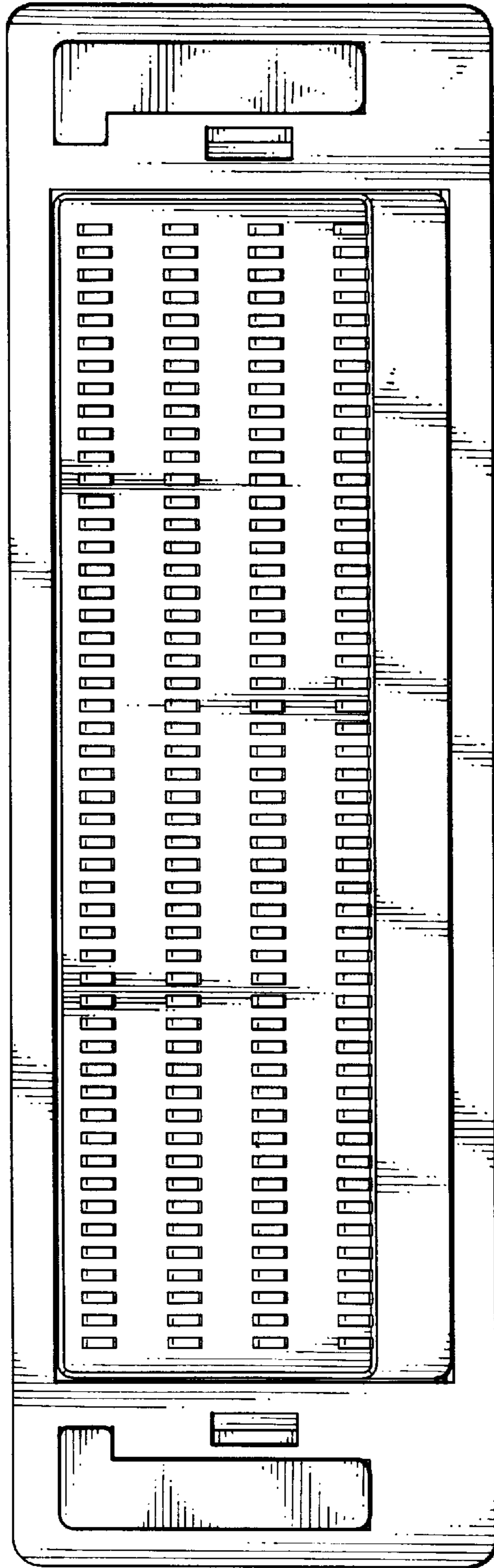


FIG. 6

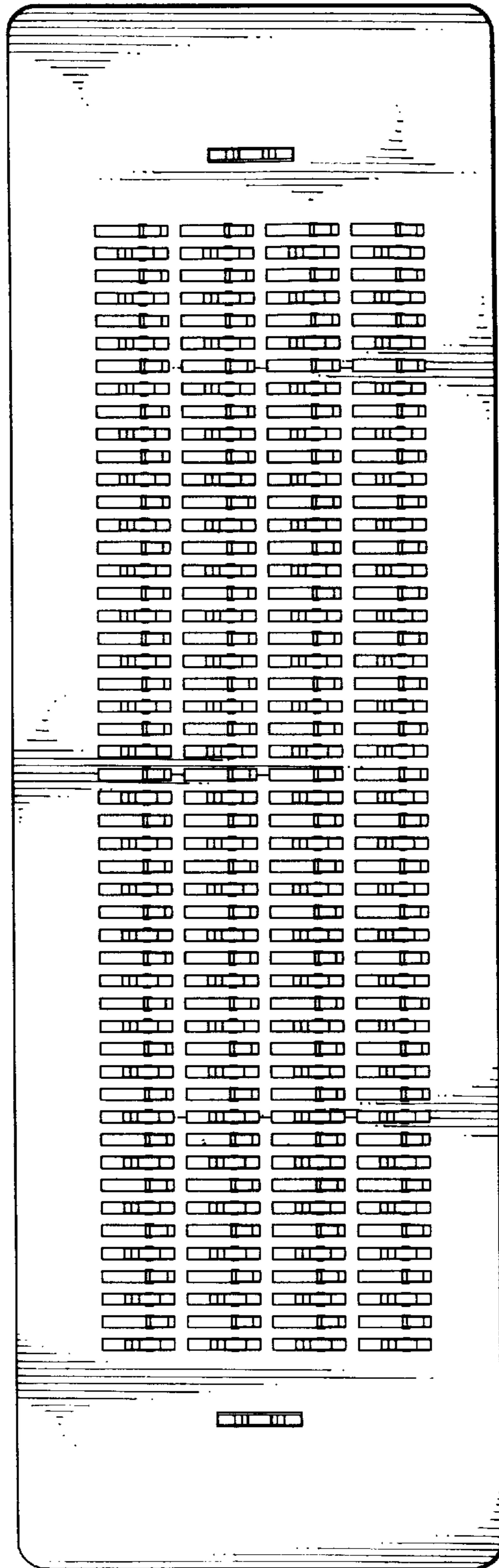


FIG. 7