



US00D404709S

United States Patent [19] Oba

[11] Patent Number: Des. 404,709

[45] Date of Patent: **Jan. 26, 1999

[54] DISTRIBUTOR FOR ELECTRONIC DEVICES

[75] Inventor: Haruo Oba, Tokyo, Japan

[73] Assignee: Sony Corporation, Tokyo, Japan

[**] Term: 14 Years

[21] Appl. No.: 59,294

[22] Filed: Sep. 6, 1996

[51] LOC (6) Cl. 13-03

[52] U.S. Cl. D13/147

[58] Field of Search D13/132, 133,
D13/146, 147; 439/523, 709, 721-724;
174/72 R, 72 C, DIG. 8

[56] References Cited

U.S. PATENT DOCUMENTS

| | | | | |
|-----------|---------|-------------------|-------|-----------|
| D. 55,071 | 5/1920 | Moffat | | D13/132 |
| 3,602,871 | 8/1971 | Newman | | 439/724 |
| 3,998,517 | 12/1976 | Griffin | | 439/723 X |
| 5,100,348 | 3/1992 | Herman et al. | | 439/724 |
| 5,266,057 | 11/1993 | Angel, Jr. et al. | | 439/724 |

Primary Examiner—Alan P. Douglas
Assistant Examiner—Lavone D. Tabor
Attorney, Agent, or Firm—Foley Lardner

[57] CLAIM

The ornamental design for a distributor for electronic devices, as shown and described.

DESCRIPTION

FIG. 1 is a perspective view of a first embodiment of a distributor for electronic devices showing my new design; FIG. 2 is a top plan view thereof; FIG. 3 is a front elevational view thereof; FIG. 4 is a right side elevational view thereof, a left side elevational view thereof being mirror image; FIG. 5 is a bottom plan view thereof; FIG. 6 is a rear elevational view thereof; FIG. 7 is a perspective view of a second embodiment of a distributor for electronic devices showing my new design; FIG. 8 is a top plan view of the embodiment of FIG. 7; FIG. 9 is a front elevational view of the embodiment of FIG. 7; FIG. 10 is a right side elevational view of the embodiment of FIG. 7, a left side elevational view of the embodiment of FIG. 7 being mirror image; FIG. 11 is a bottom plan view of the embodiment of FIG. 8; and, FIG. 12 is a rear elevational view of the embodiment of FIG. 7.

1 Claim, 8 Drawing Sheets

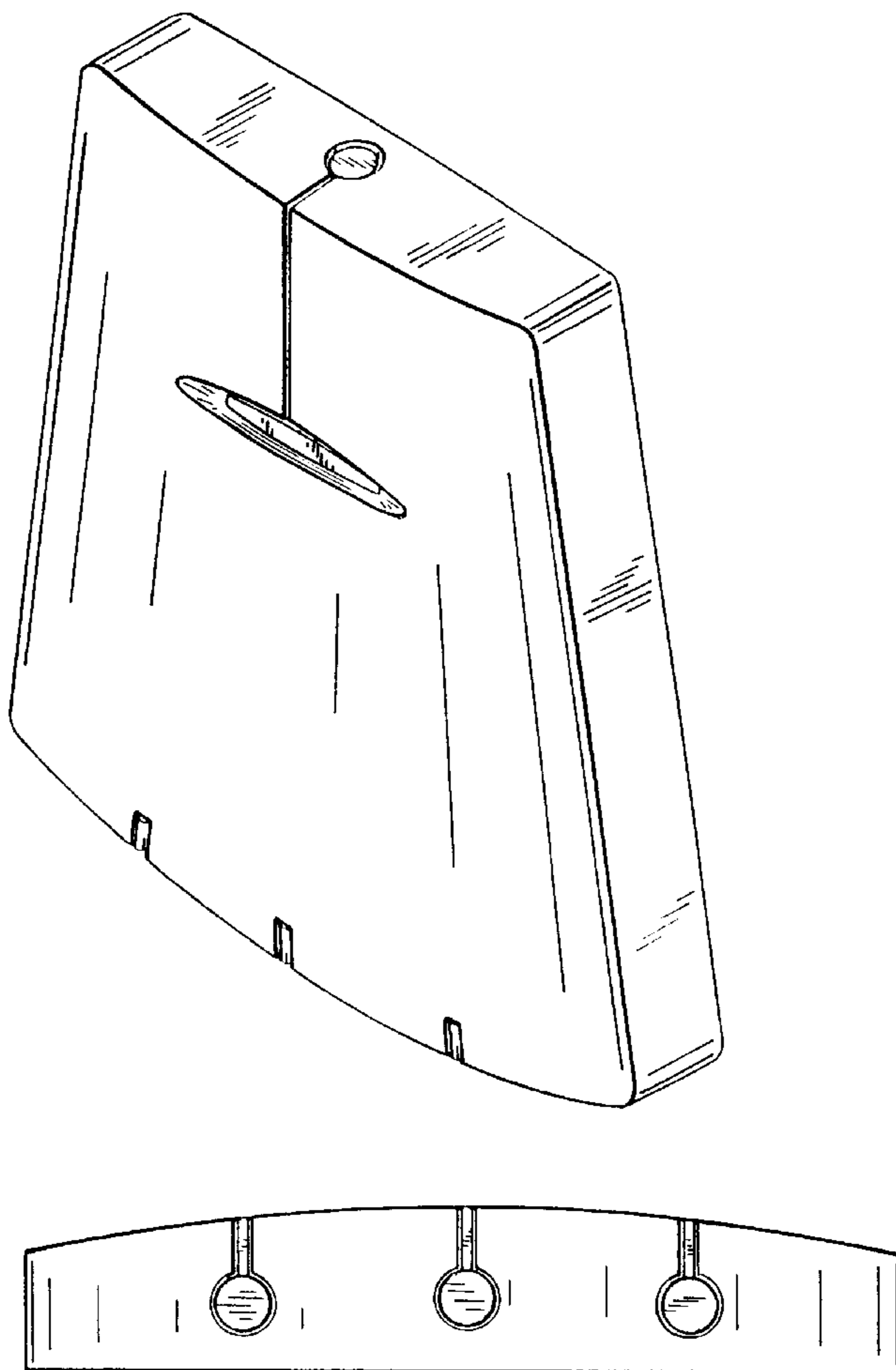


FIG. 1

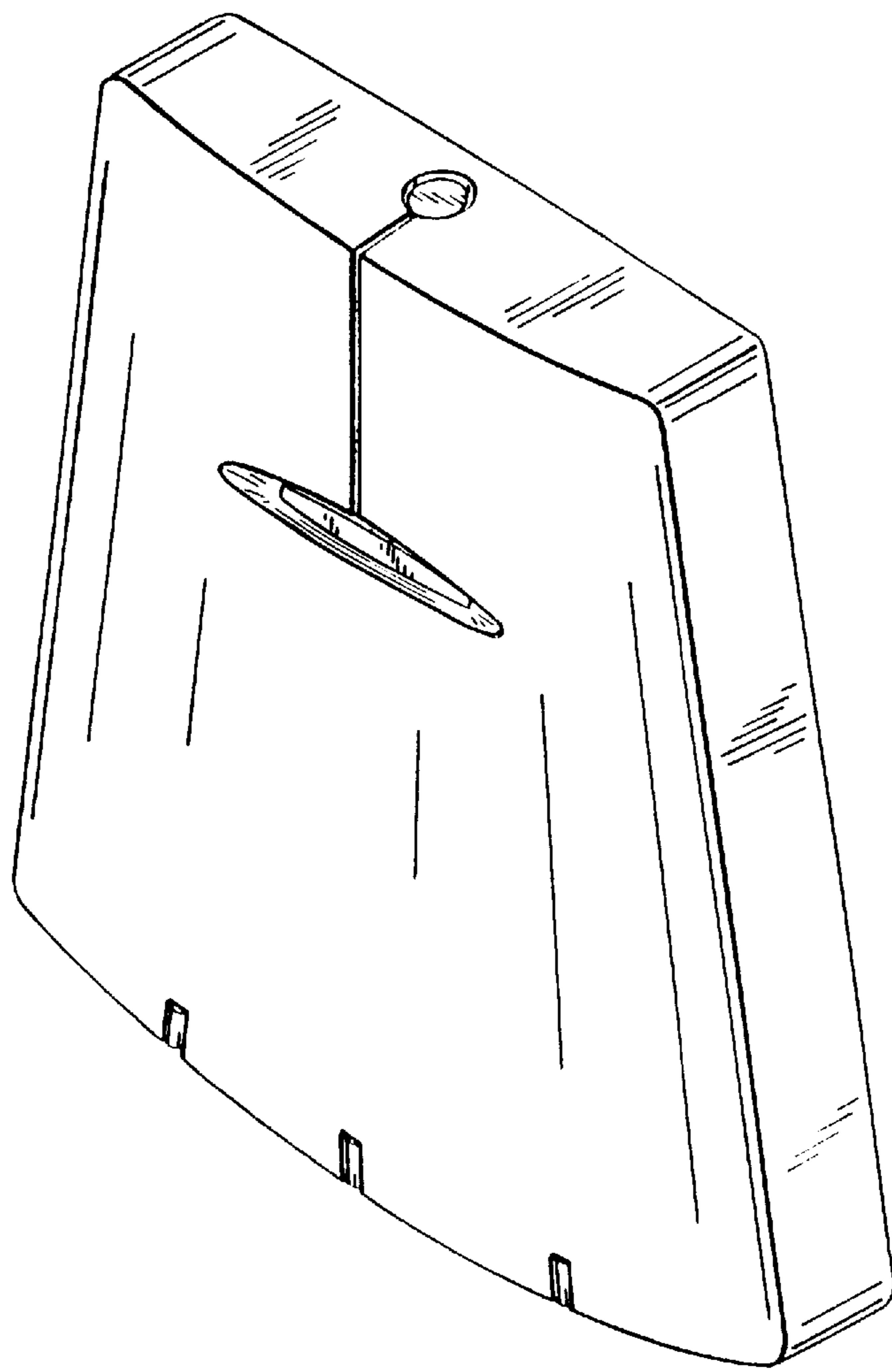


FIG. 2

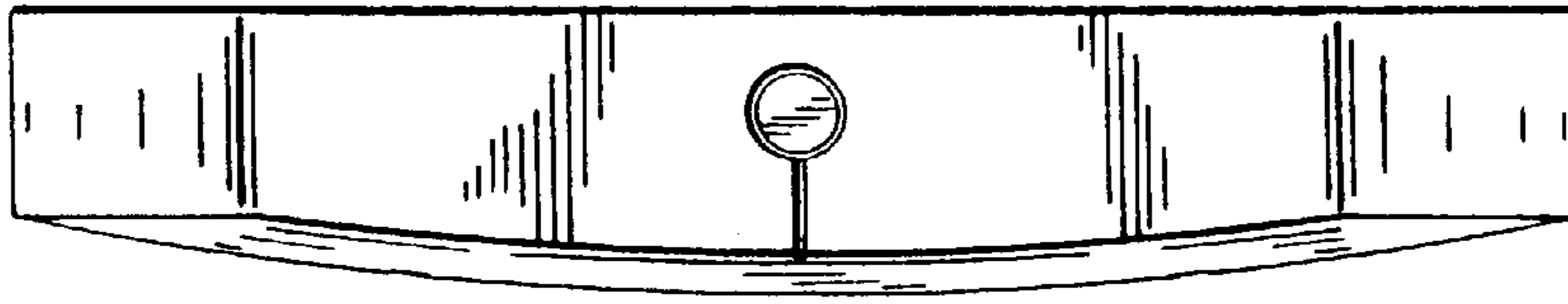


FIG. 3

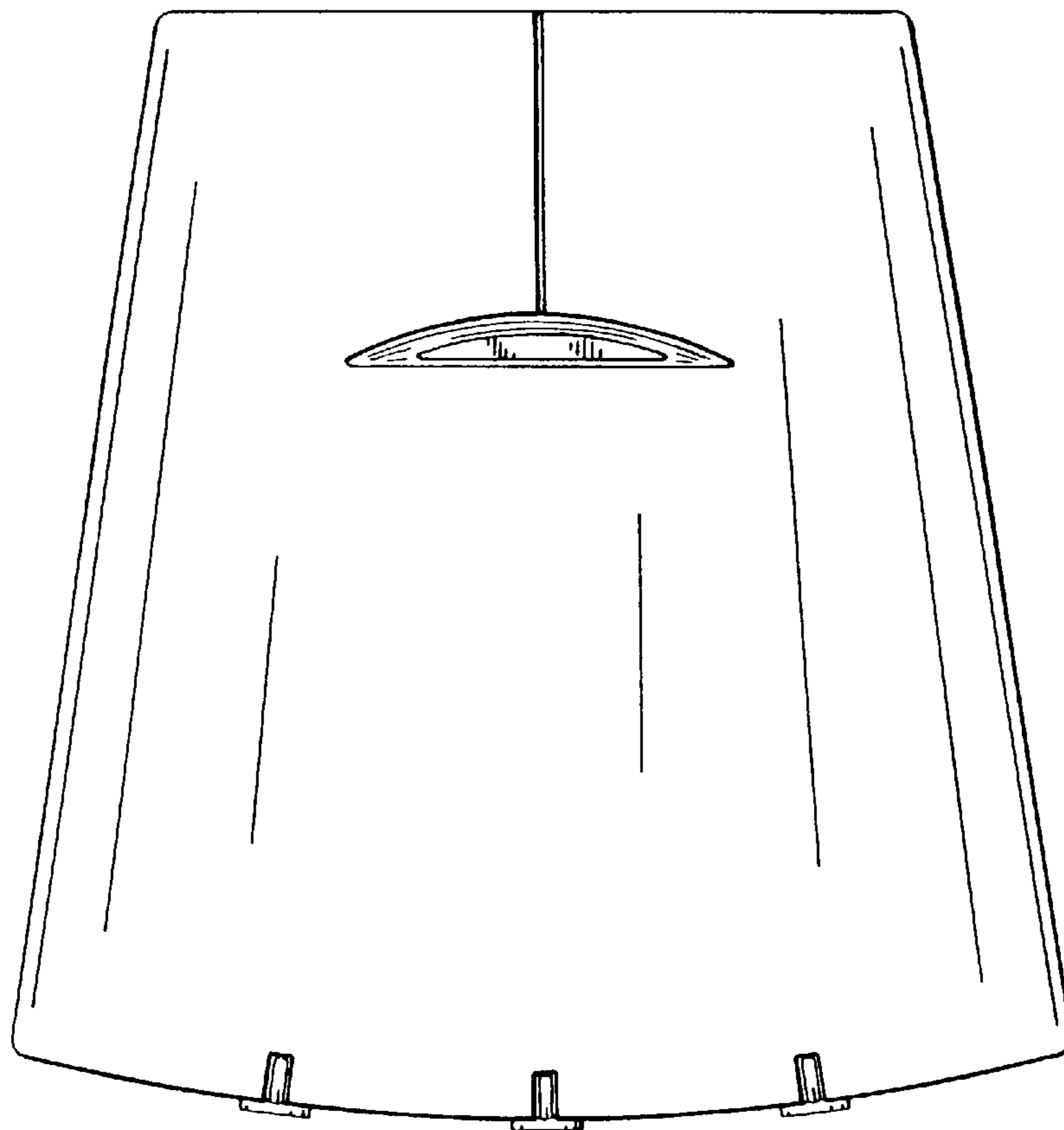


FIG. 4

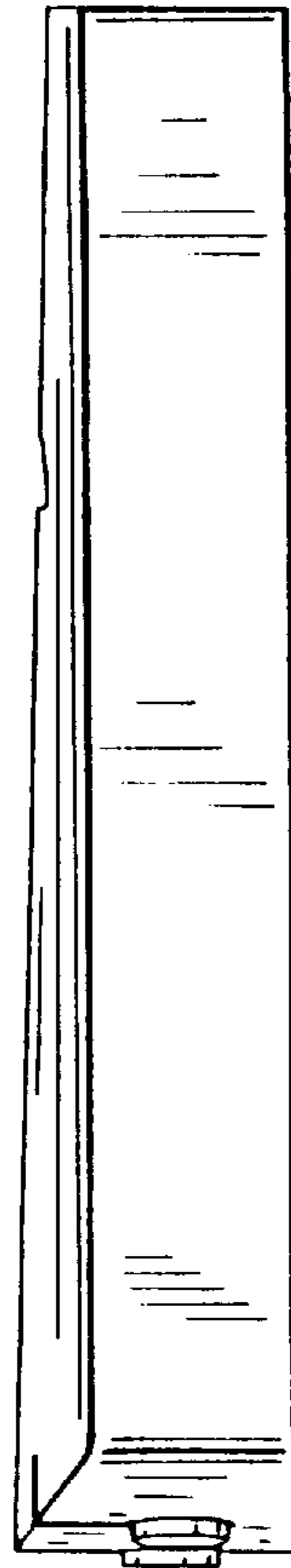


FIG. 5

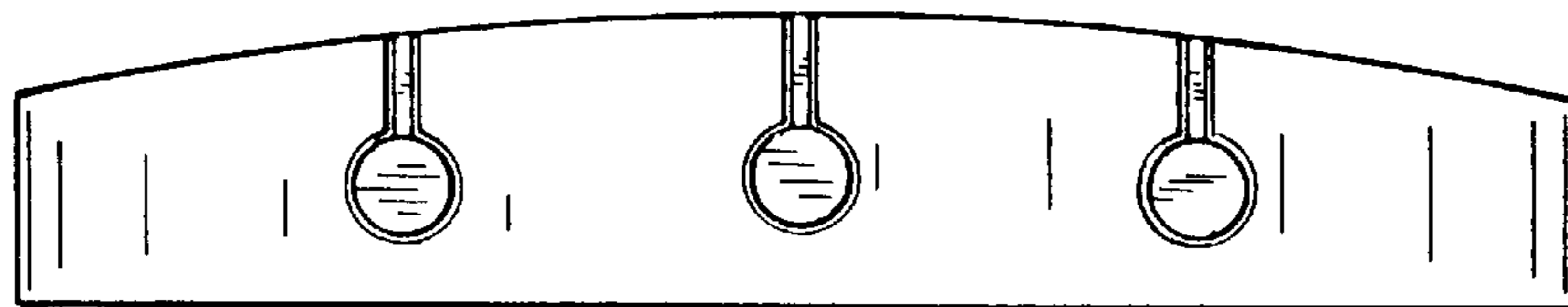


FIG. 6

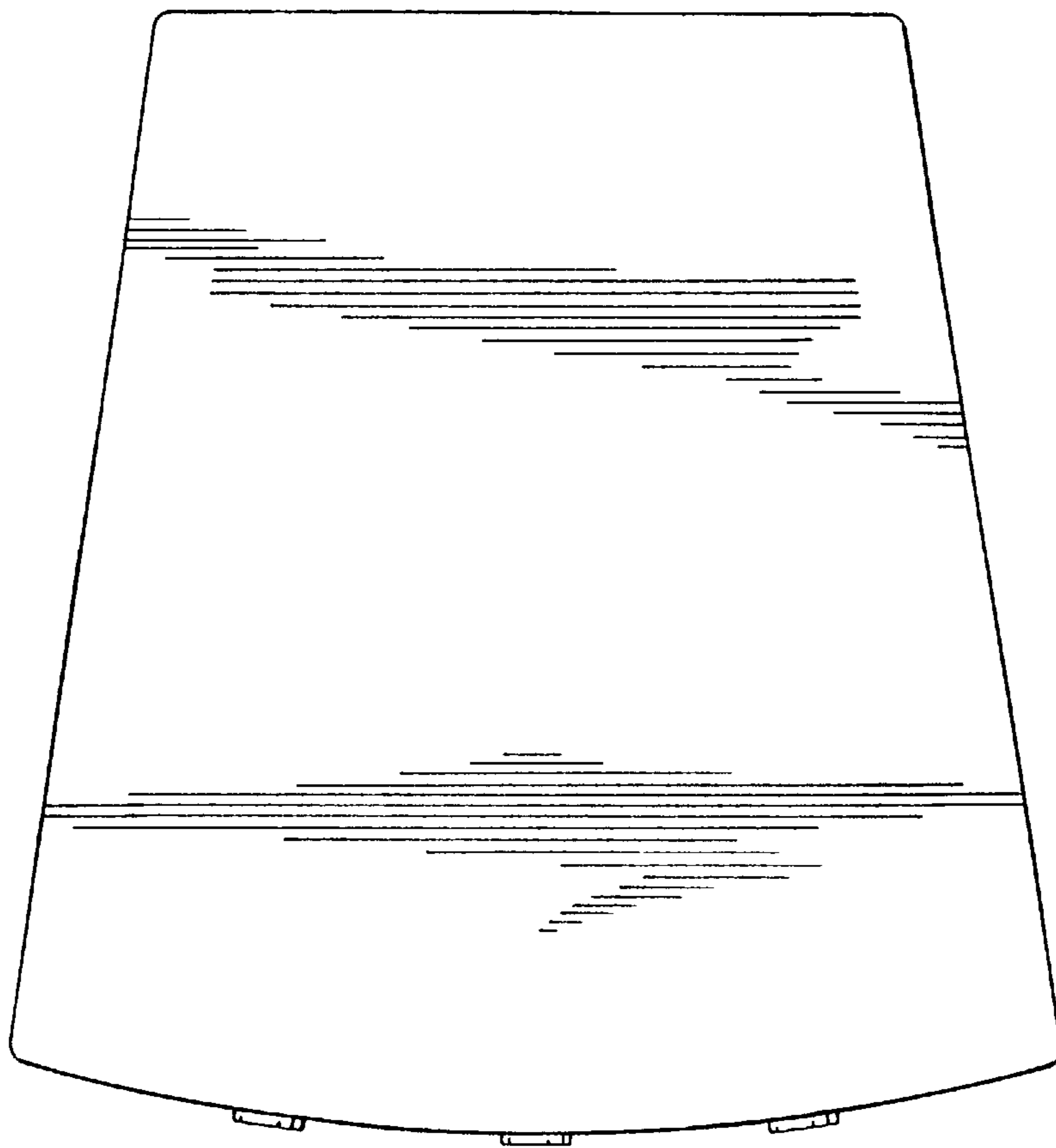


FIG. 7

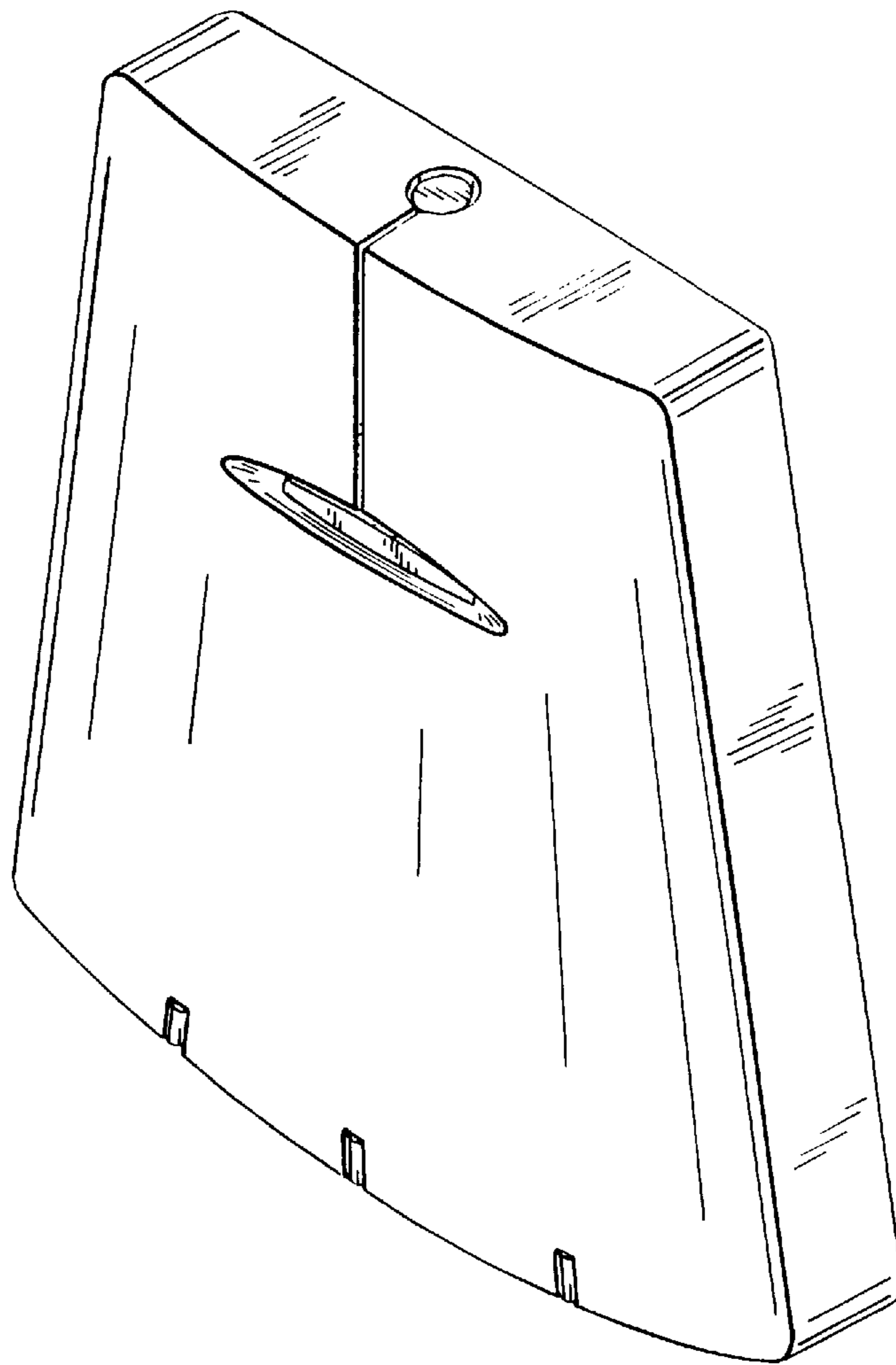


FIG. 8

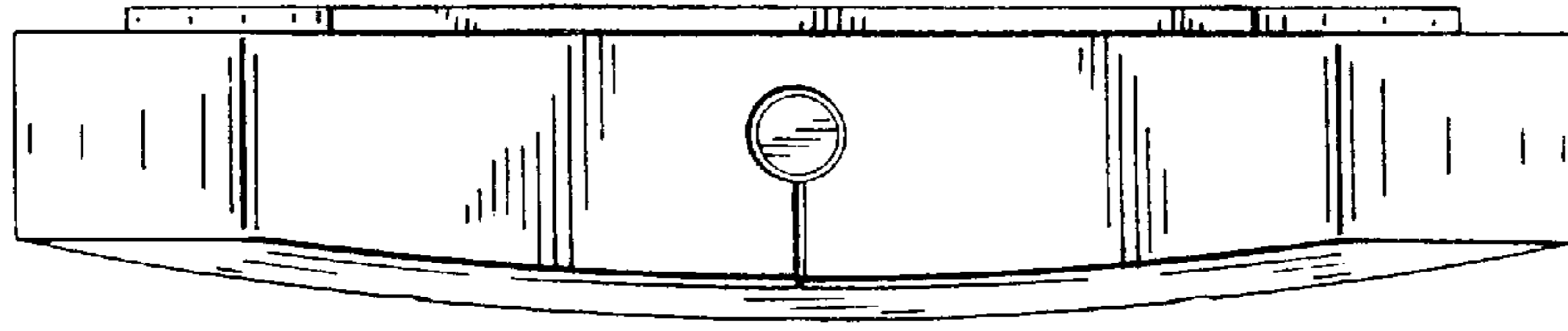


FIG. 9

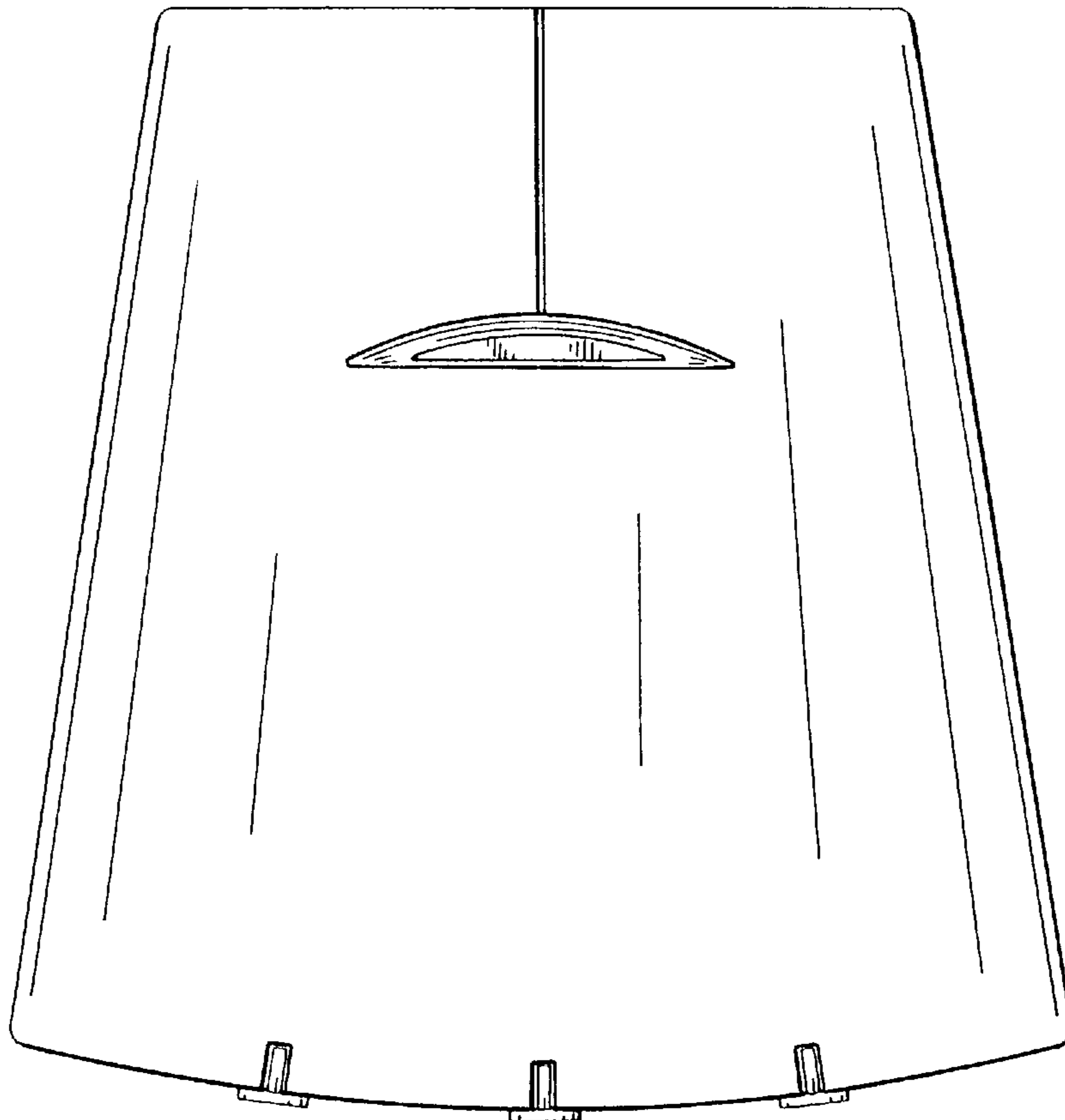


FIG. 10

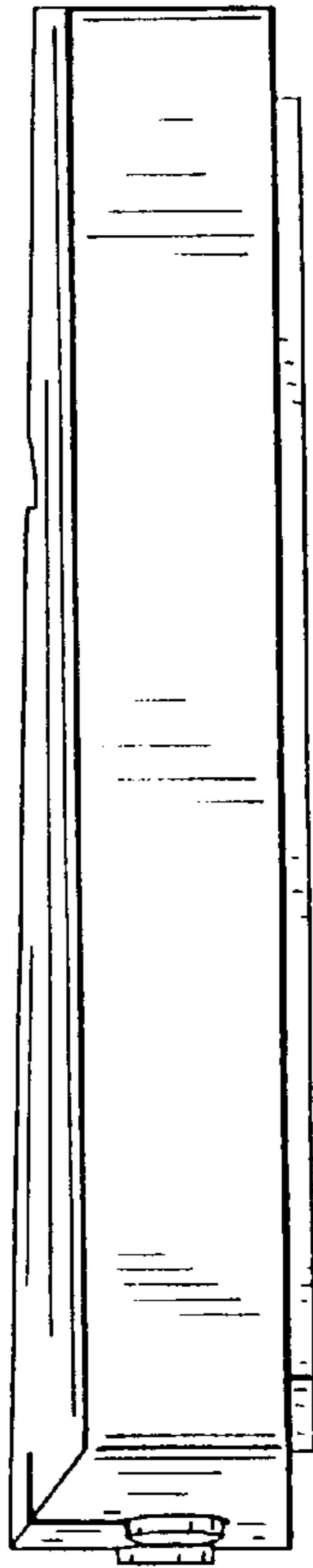


FIG. 11

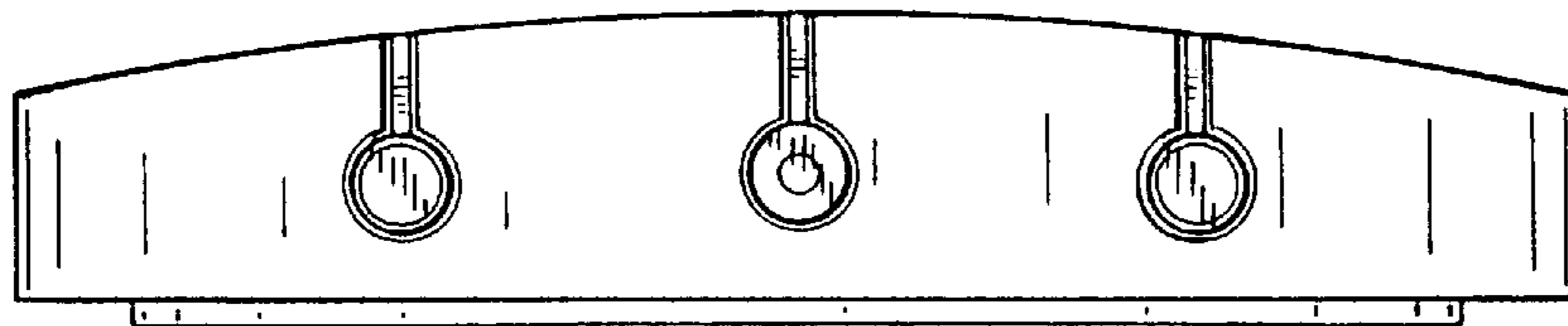


FIG. 12

