



US00D404708S

United States Patent [19] Hsiang

[11] **Patent Number: Des. 404,708**

[45] **Date of Patent: **Jan. 26, 1999**

[54] **ADAPTER**

3,951,490 4/1976 Devendorf 439/63
4,226,495 10/1980 Palle et al. 439/535
5,756,935 5/1998 Balanovsky et al. 174/52.1

[75] Inventor: **Tzu-Yen Hsiang**, Taipei Hsien, Taiwan

[73] Assignee: **Lantek Electronics, Inc.**, Taipei Hsien, Taiwan

Primary Examiner—Joel Sincavage
Attorney, Agent, or Firm—Bacon & Thomas

[**] Term: **14 Years**

[57] **CLAIM**

[21] Appl. No.: **86,692**

The ornamental design for an adapter, as shown and described.

[22] Filed: **Apr. 17, 1998**

DESCRIPTION

[51] **LOC (6) Cl.** **13-03**

FIG. 1 is a perspective view of an adapter showing my new design;

[52] **U.S. Cl.** **D13/146; D13/152**

FIG. 2 is a front elevational view thereof;

[58] **Field of Search** D13/146, 147,
D13/151, 152; 439/63, 535, 581; 174/52.1,
59, 60

FIG. 3 is a rear elevational view thereof;

FIG. 4 is a right side elevational view thereof, the left side being a mirror image;

[56] **References Cited**

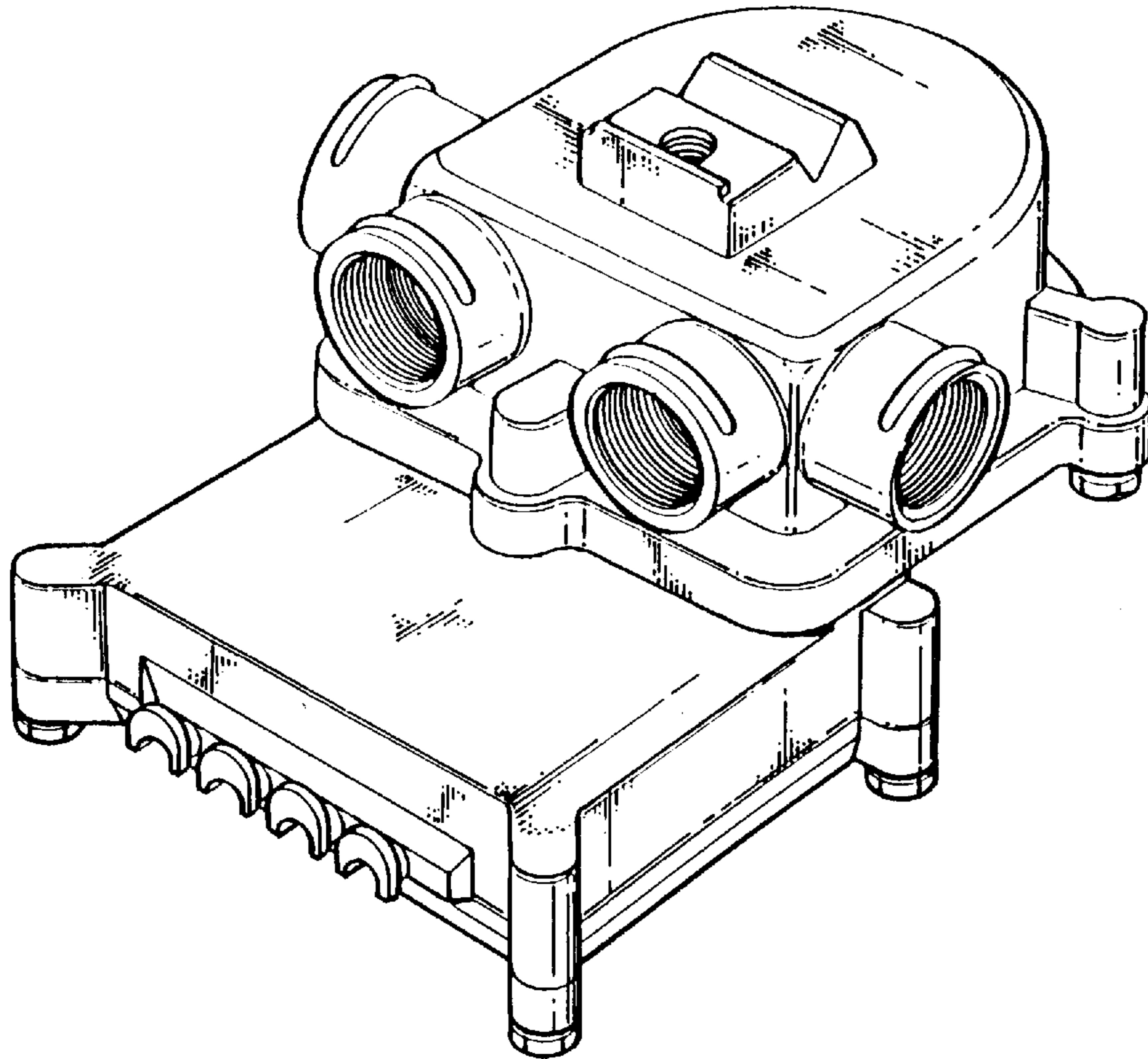
FIG. 5 is a top plan view thereof; and,

FIG. 6 is a bottom plan view thereof.

U.S. PATENT DOCUMENTS

D. 396,694 8/1998 Shen D13/147
3,845,454 10/1974 Hayward et al. 439/307

1 Claim, 4 Drawing Sheets



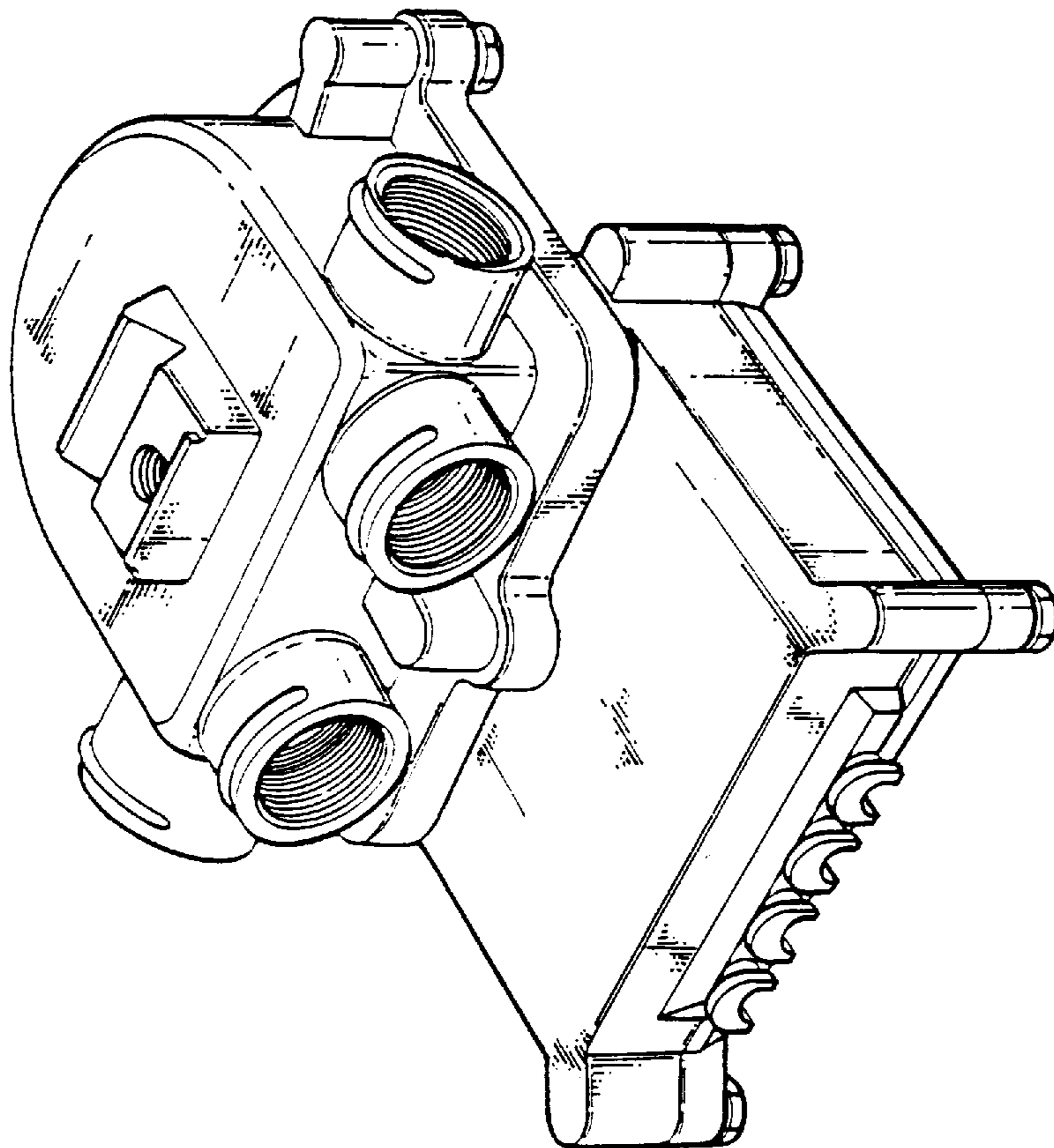


FIG 1

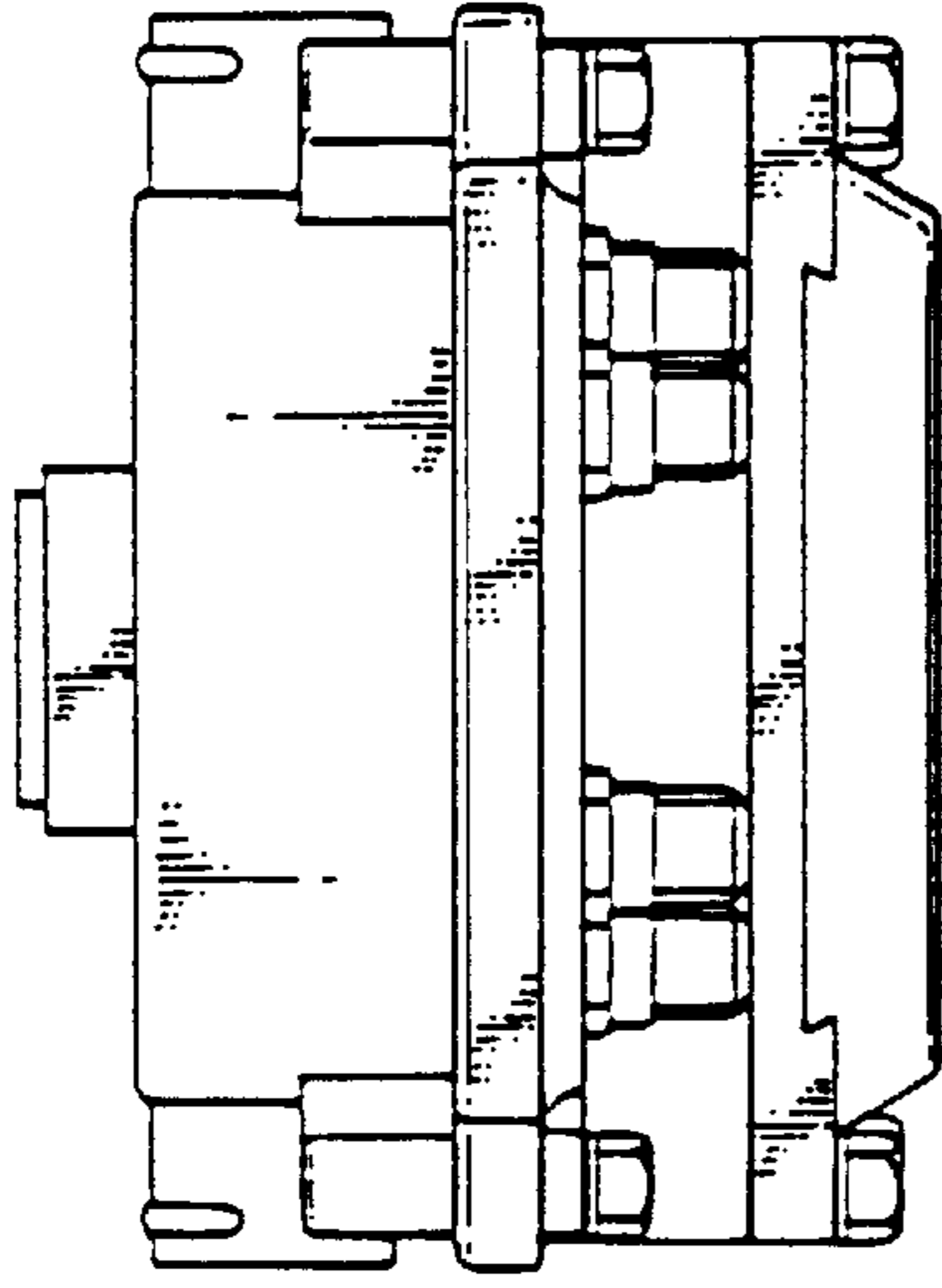


FIG 3

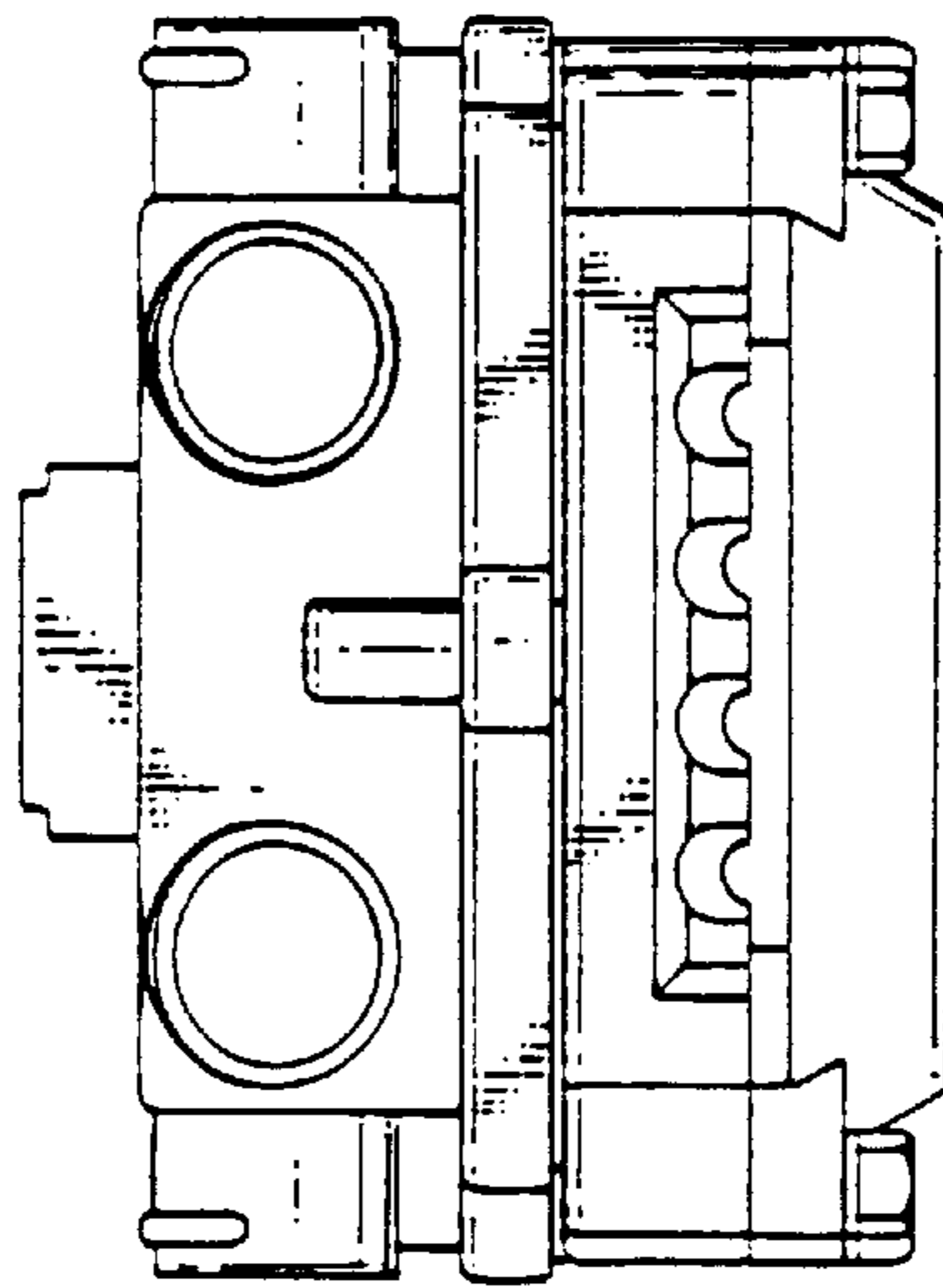


FIG 2

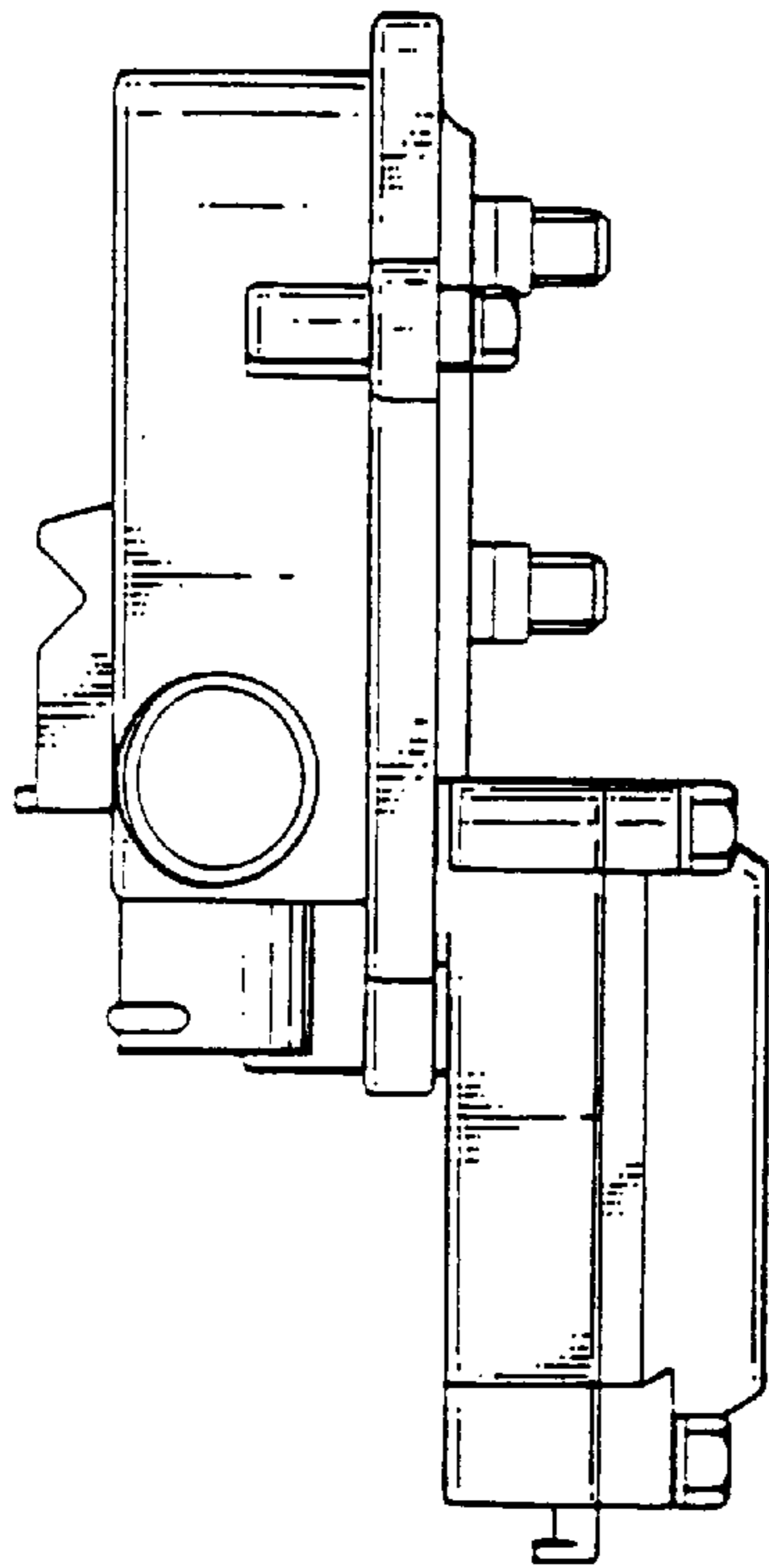


FIG 4

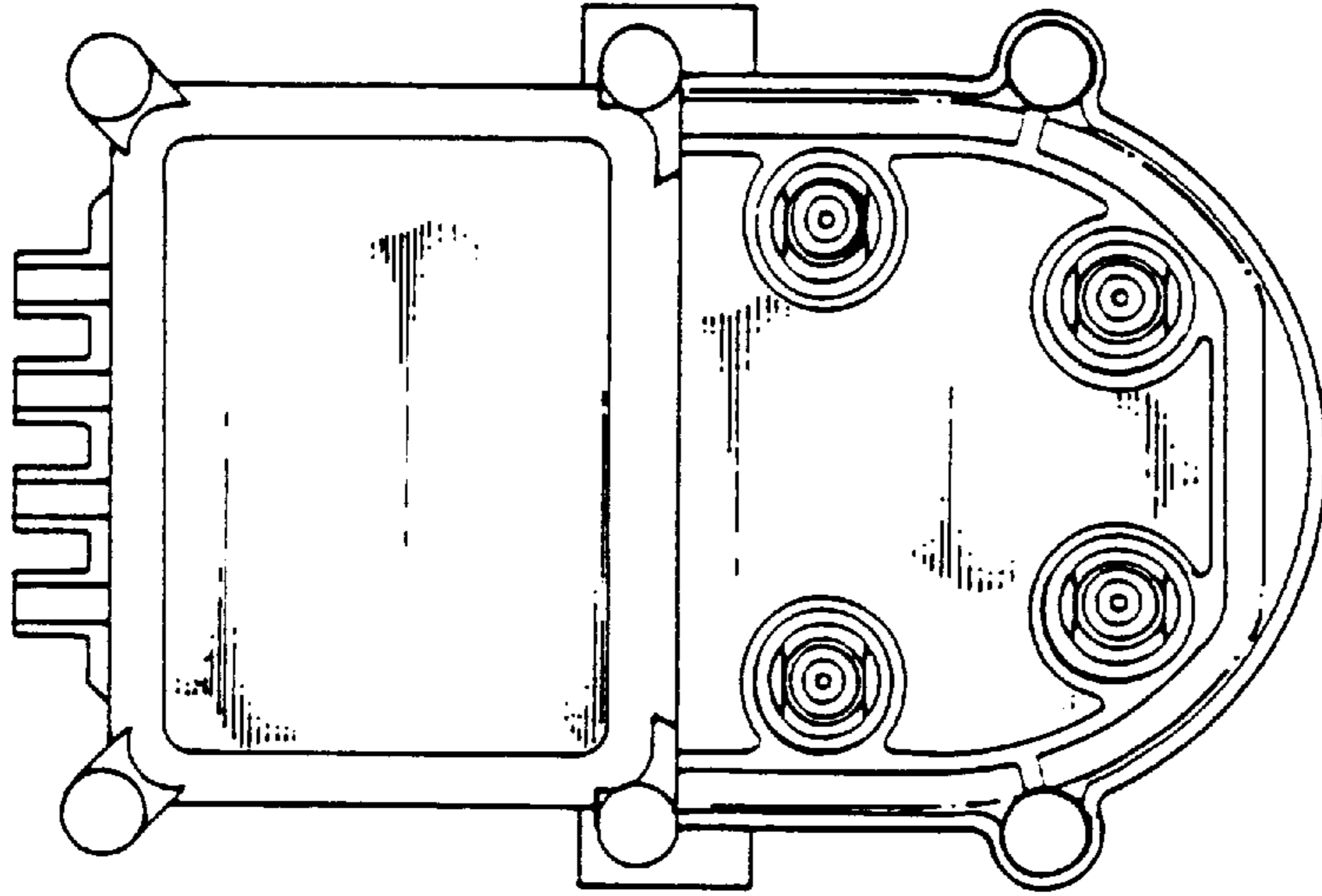


FIG 6

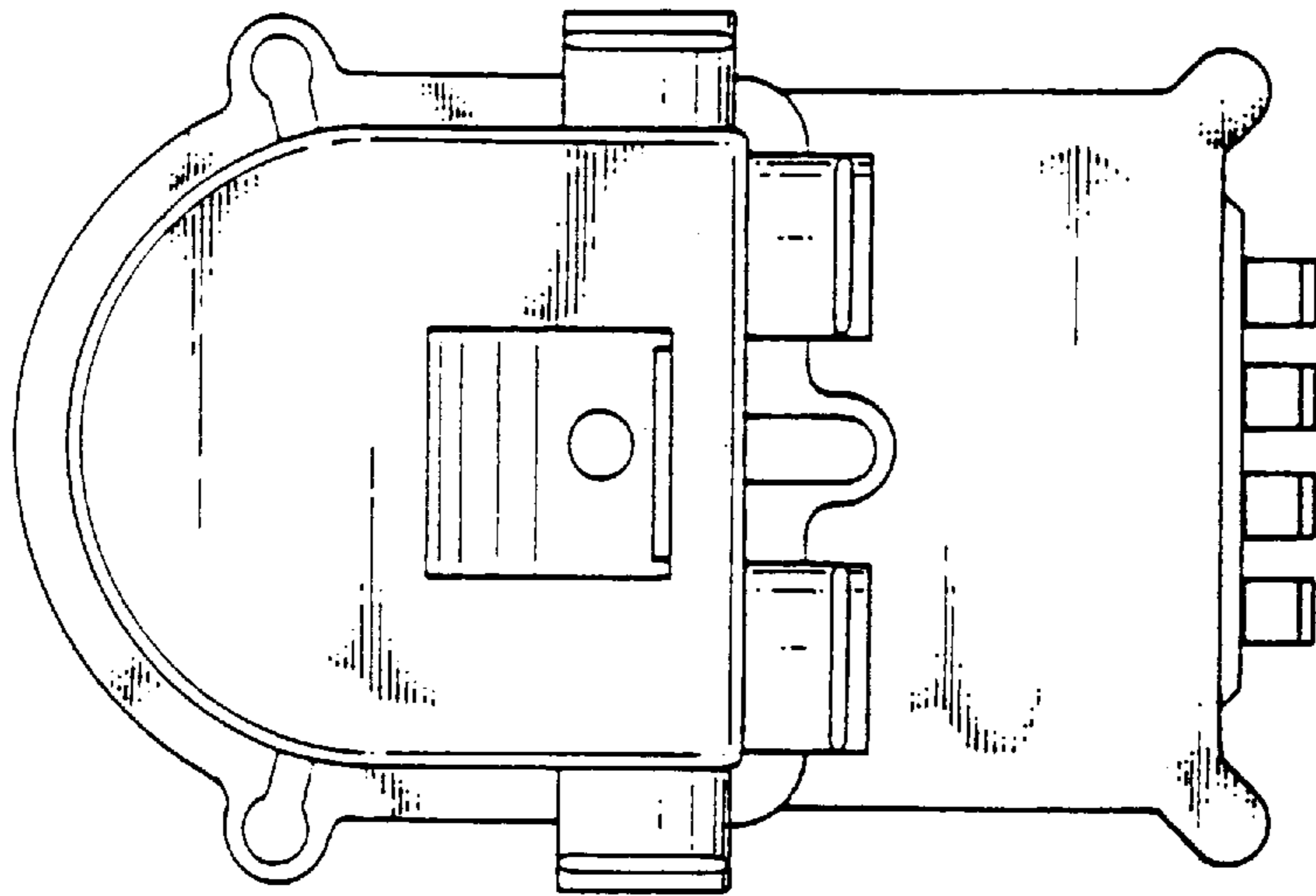


FIG 5