



US00D404705S

**United States Patent** [19]  
**Eccker**

[11] **Patent Number: Des. 404,705**

[45] **Date of Patent: \*\*Jan. 26, 1999**

[54] **ULTRA-LIGHT AIRCRAFT**

4,424,946 1/1984 Kramer ..... 244/13  
4,548,371 10/1985 Dempsey ..... 244/13

[76] Inventor: **Donald E. Eccker**, 1356 Oakleaf La.,  
Ramona, Calif. 92065

*Primary Examiner*—Kay H. Chin  
*Attorney, Agent, or Firm*—Henri J. A. Charmasson; John D.  
Buchaca

[\*\*] Term: **14 Years**

[21] Appl. No.: **85,045**

[57] **CLAIM**

[22] Filed: **Mar. 16, 1998**

The ornamental design for an ultra-light aircraft, as shown  
and described.

[51] **LOC (6) Cl.** ..... **12-07**

**DESCRIPTION**

[52] **U.S. Cl.** ..... **D12/321**

[58] **Field of Search** ..... D12/319, 321,  
D12/322, 323, 326; 244/900, 903, 13, 16

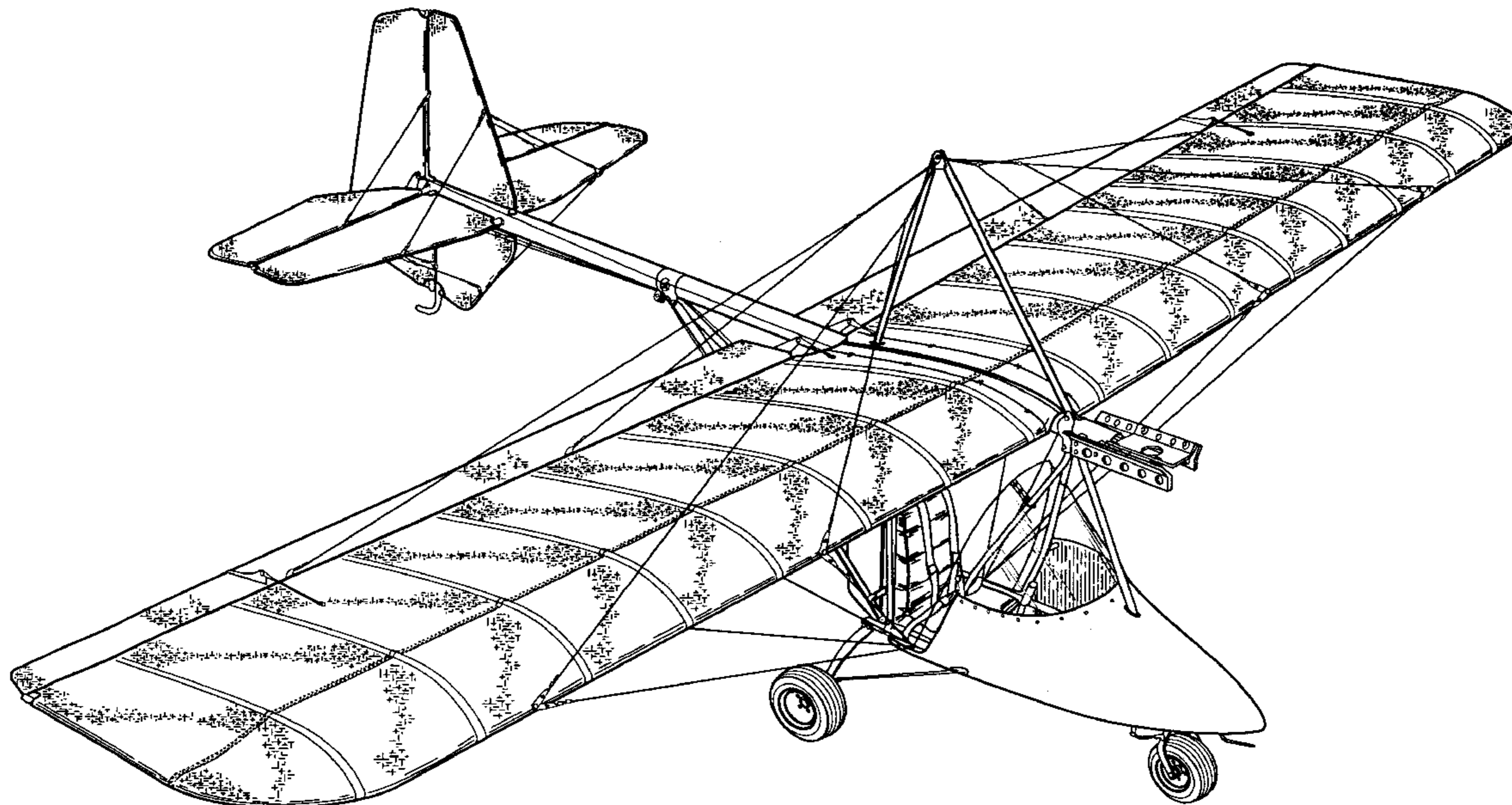
FIG. 1 is a top perspective view of an ultra-light aircraft  
showing my new design;  
FIG. 2 is a bottom perspective view thereof;  
FIG. 3 is a rear elevational view thereof; and,  
FIG. 4 is a side elevational view thereof.

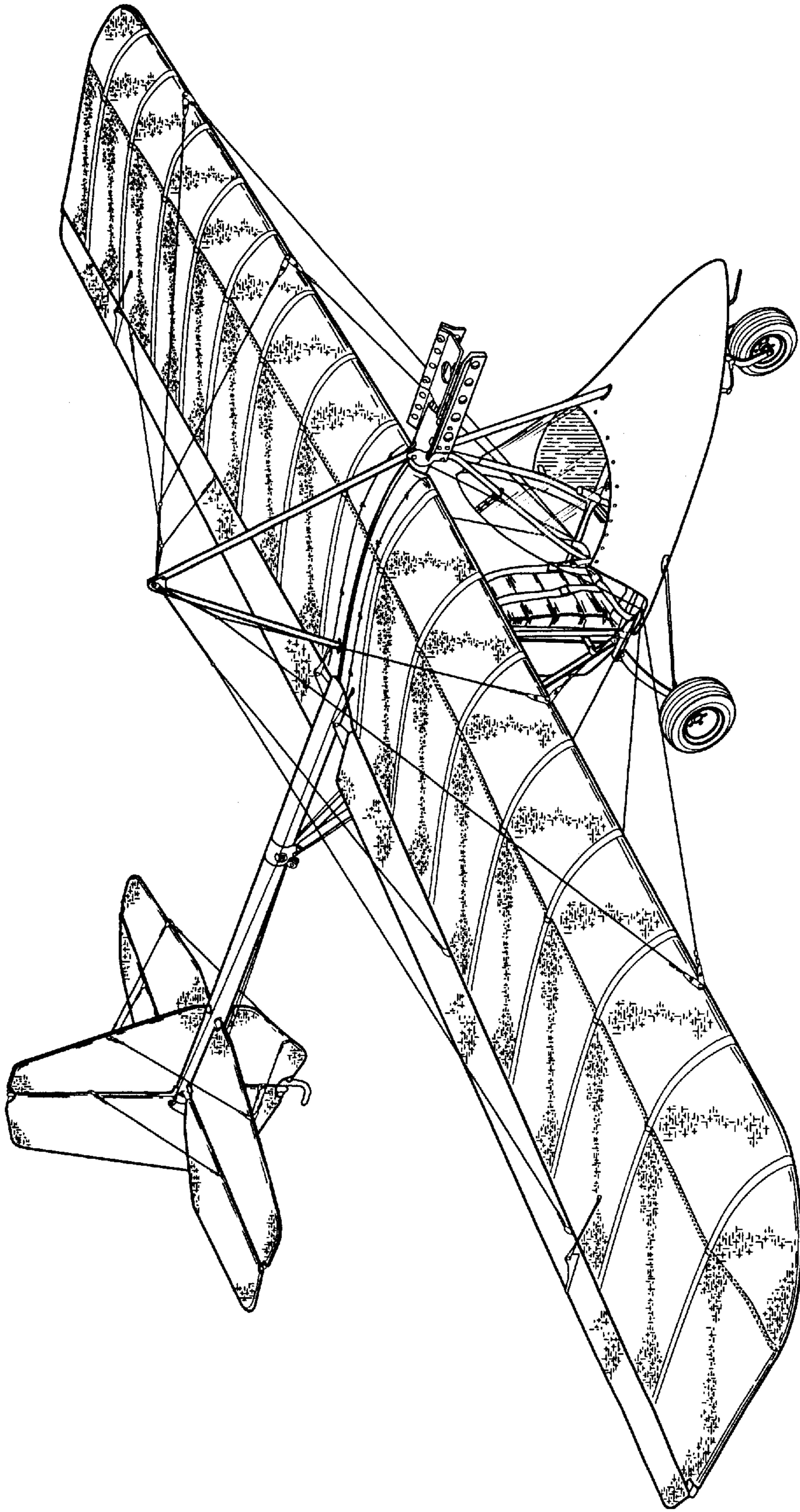
[56] **References Cited**

**U.S. PATENT DOCUMENTS**

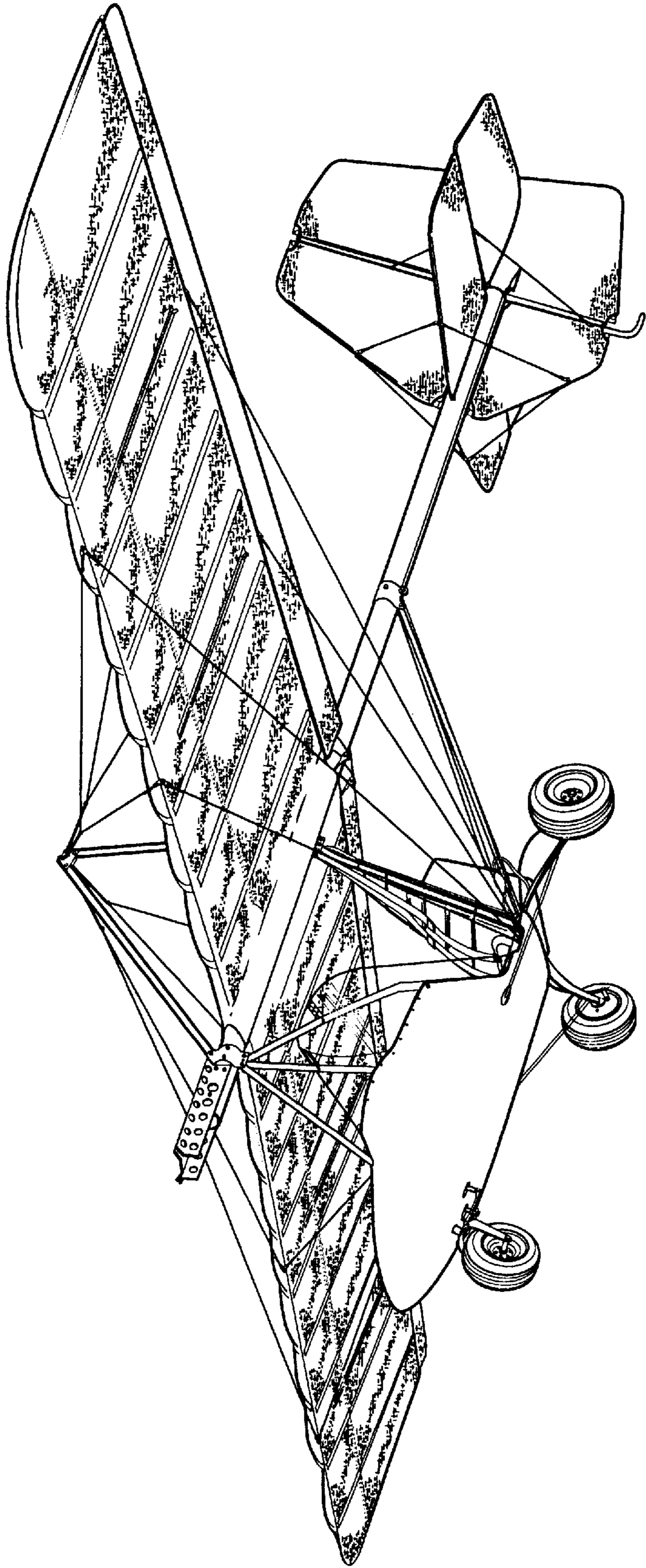
4,116,407 9/1978 Murray ..... 244/16

**1 Claim, 4 Drawing Sheets**





*Fig. 1*



*Fig. 2*

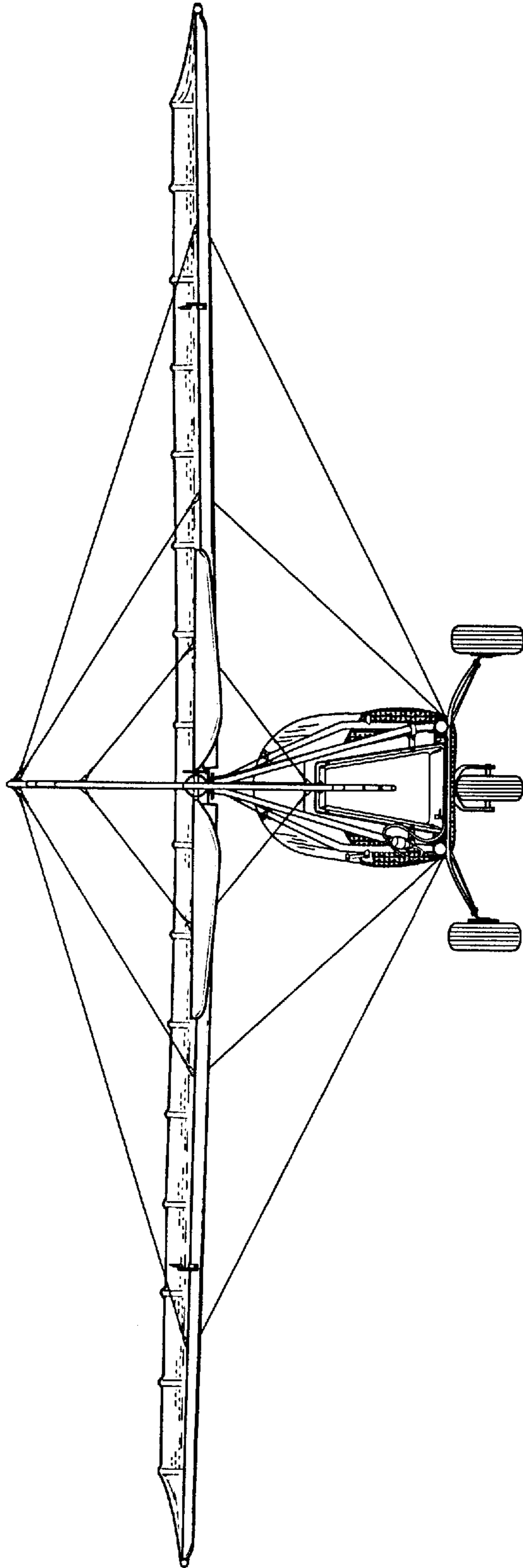
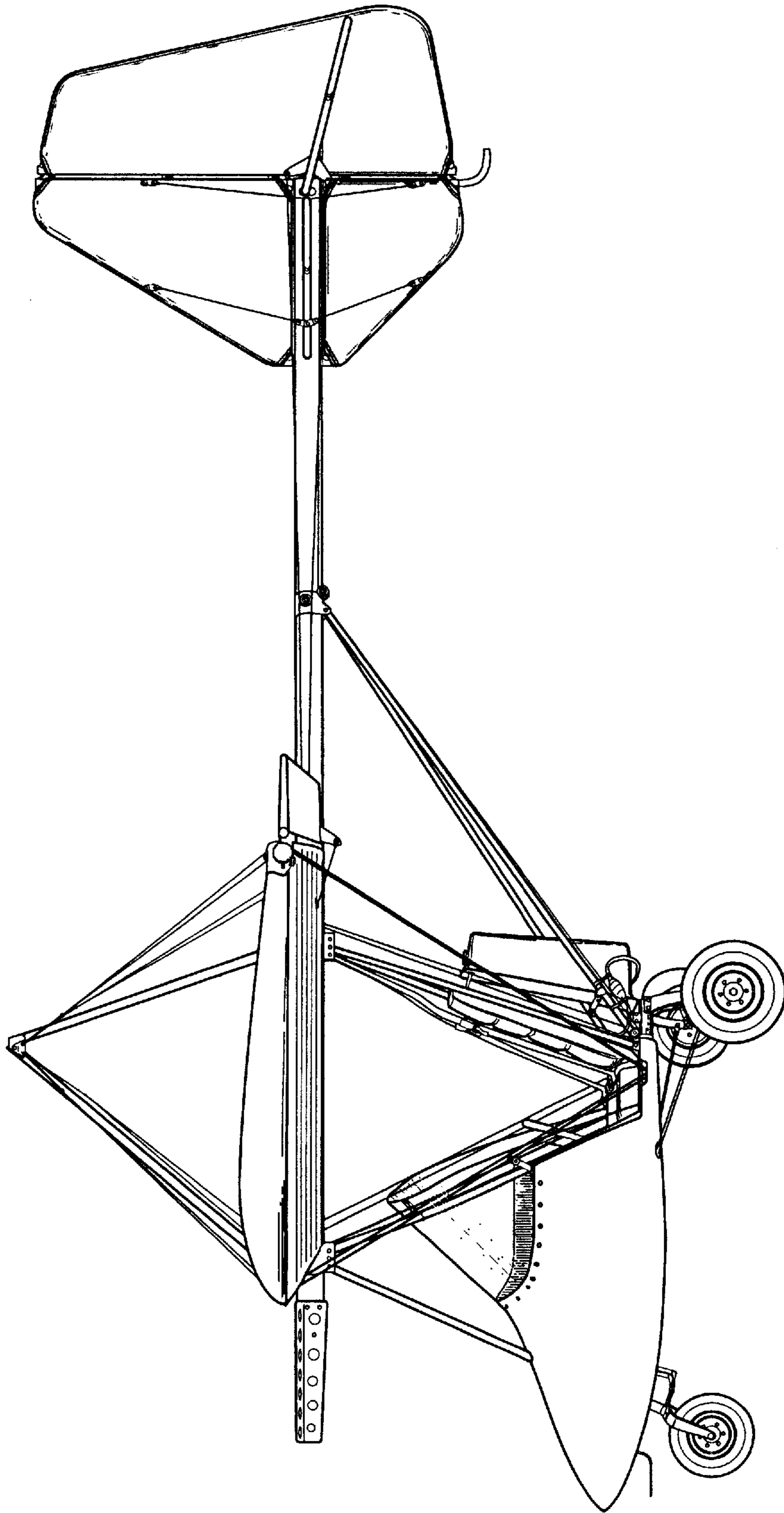


Fig. 3



*Fig. 4*