



US00D404704S

United States Patent [19]

Adams

[11] **Patent Number: Des. 404,704**

[45] **Date of Patent: **Jan. 26, 1999**

[54] **STEERING WHEEL COMPUTER BRACKET**

[76] Inventor: **Jerry A. Adams**, 4699 Westfield Rd.,
Mount Airy, N.C. 27030

[**] Term: **14 Years**

[21] Appl. No.: **90,049**

[22] Filed: **Jun. 29, 1998**

[51] **LOC (6) Cl.** **12-06**

[52] **U.S. Cl.** **D12/223**

[58] **Field of Search** D8/349, 354; D12/223;
248/548, 682, 231.9; 74/492

[56] **References Cited**

U.S. PATENT DOCUMENTS

4,052,030 10/1977 Wright 248/682
5,700,029 12/1997 Enders 280/728.2

Primary Examiner—Holly Baynham

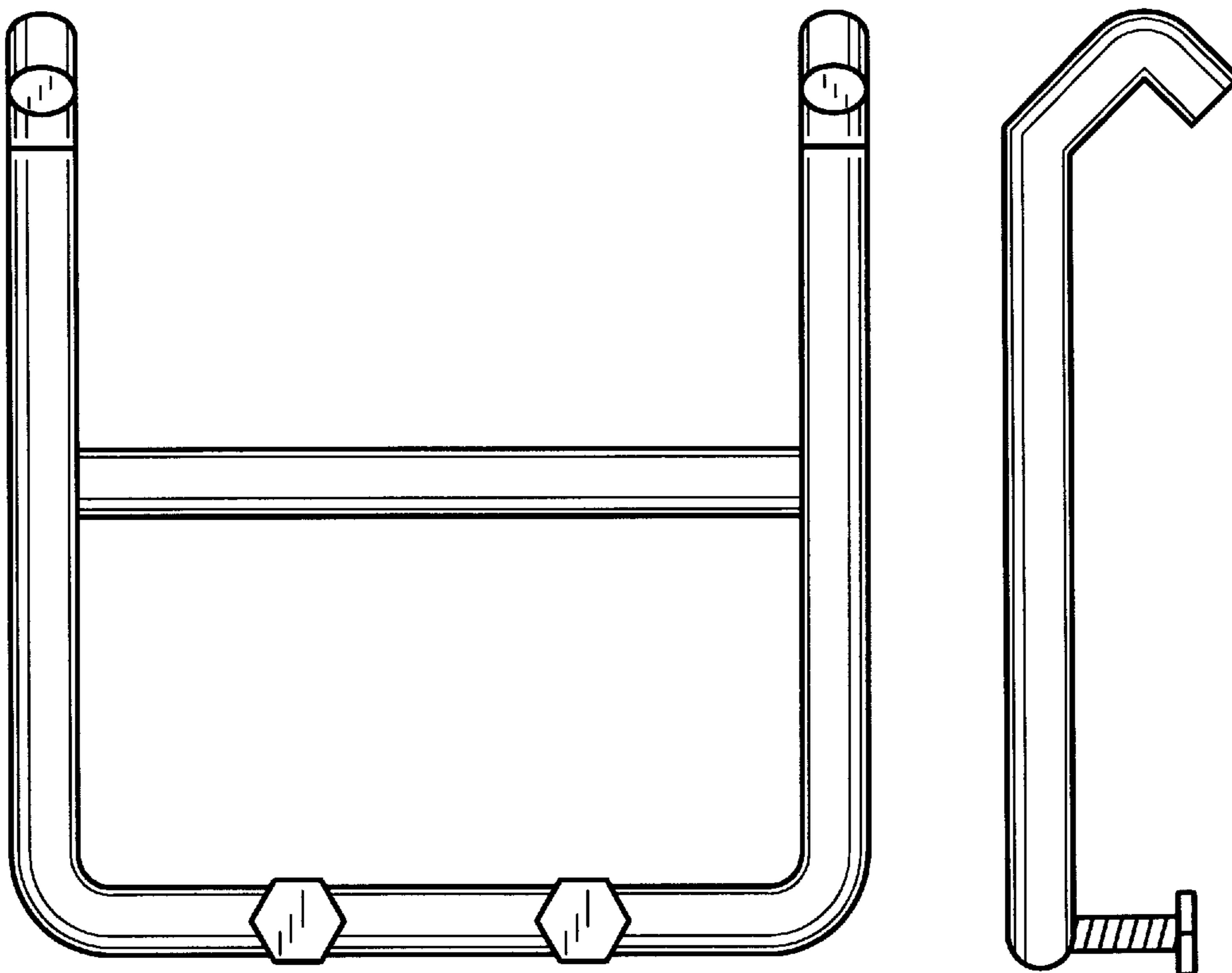
[57] **CLAIM**

The ornamental design for a steering wheel computer bracket, as shown and described.

DESCRIPTION

FIG. 1 is an environmental front elevational view of my steering wheel computer bracket with the broken line showing of a steering wheel and computer being for illustrative purposes only and forming no part of the claimed design; FIG. 2 is a front elevational view thereof; FIG. 3 is a rear elevational view thereof; FIG. 4 is a left side elevational view, the right side being a mirror image thereof; FIG. 5 is a top plan view; and, FIG. 6 is a bottom plan view thereof.

1 Claim, 4 Drawing Sheets



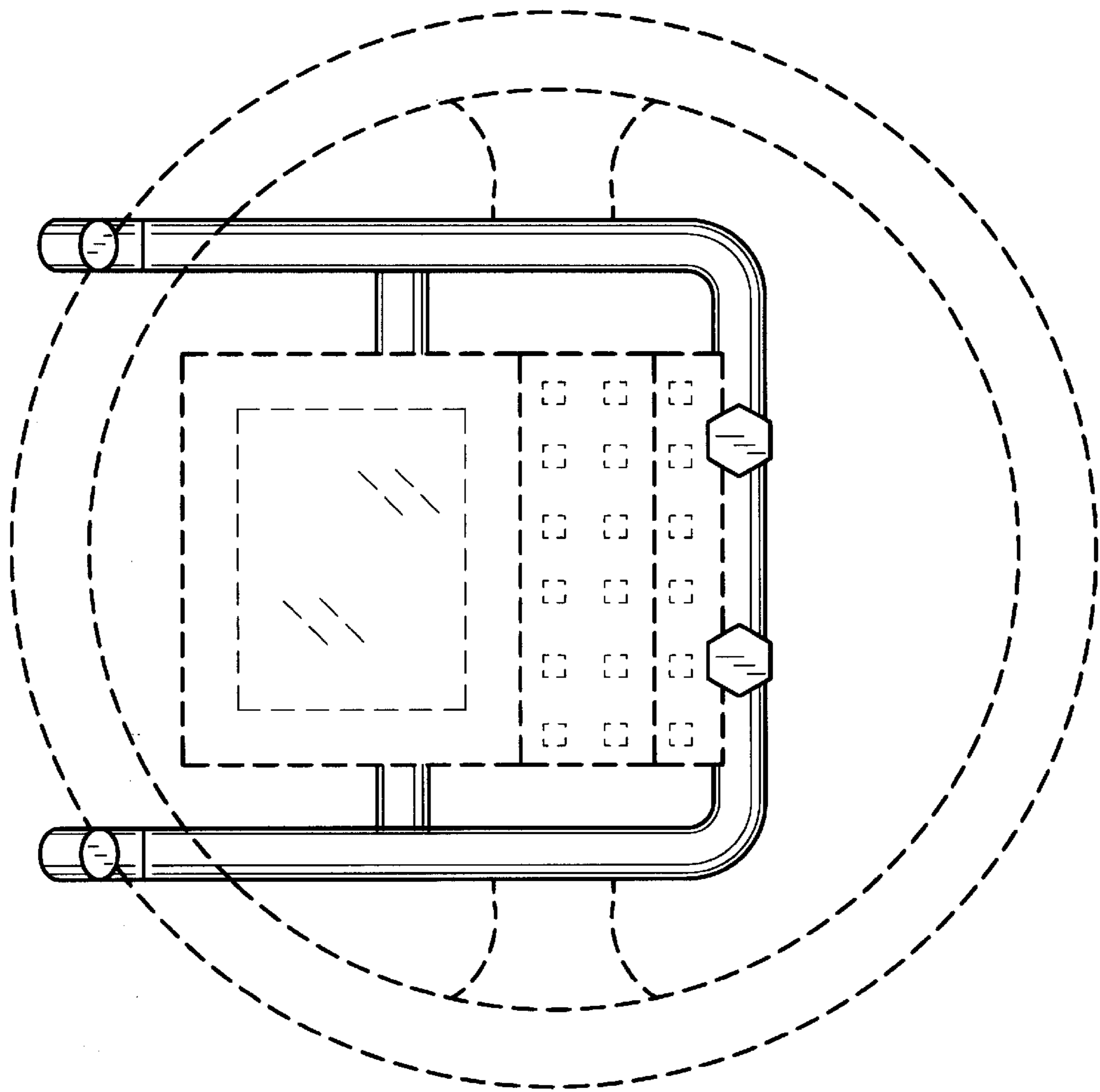


FIG. 1

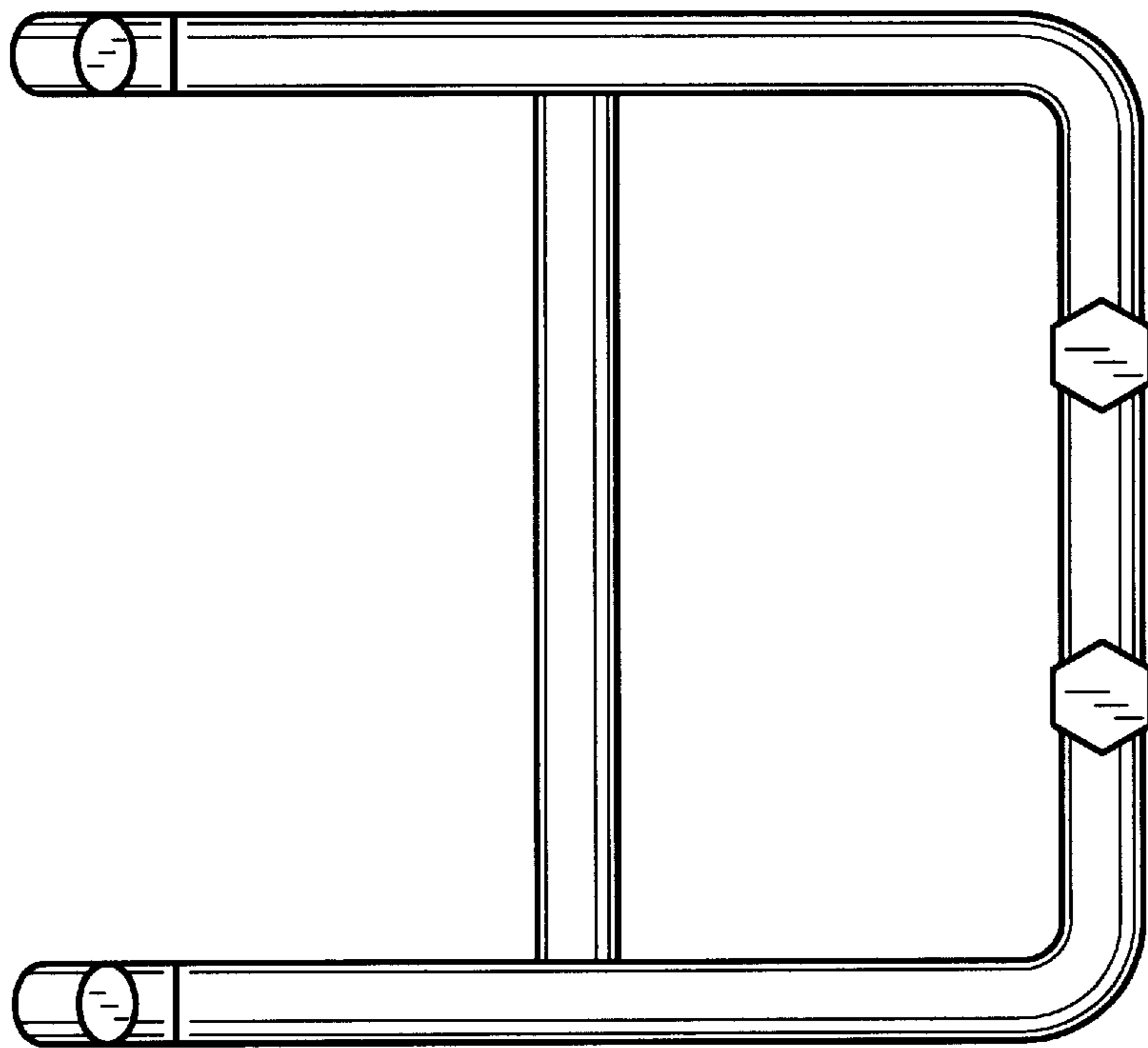


FIG. 2

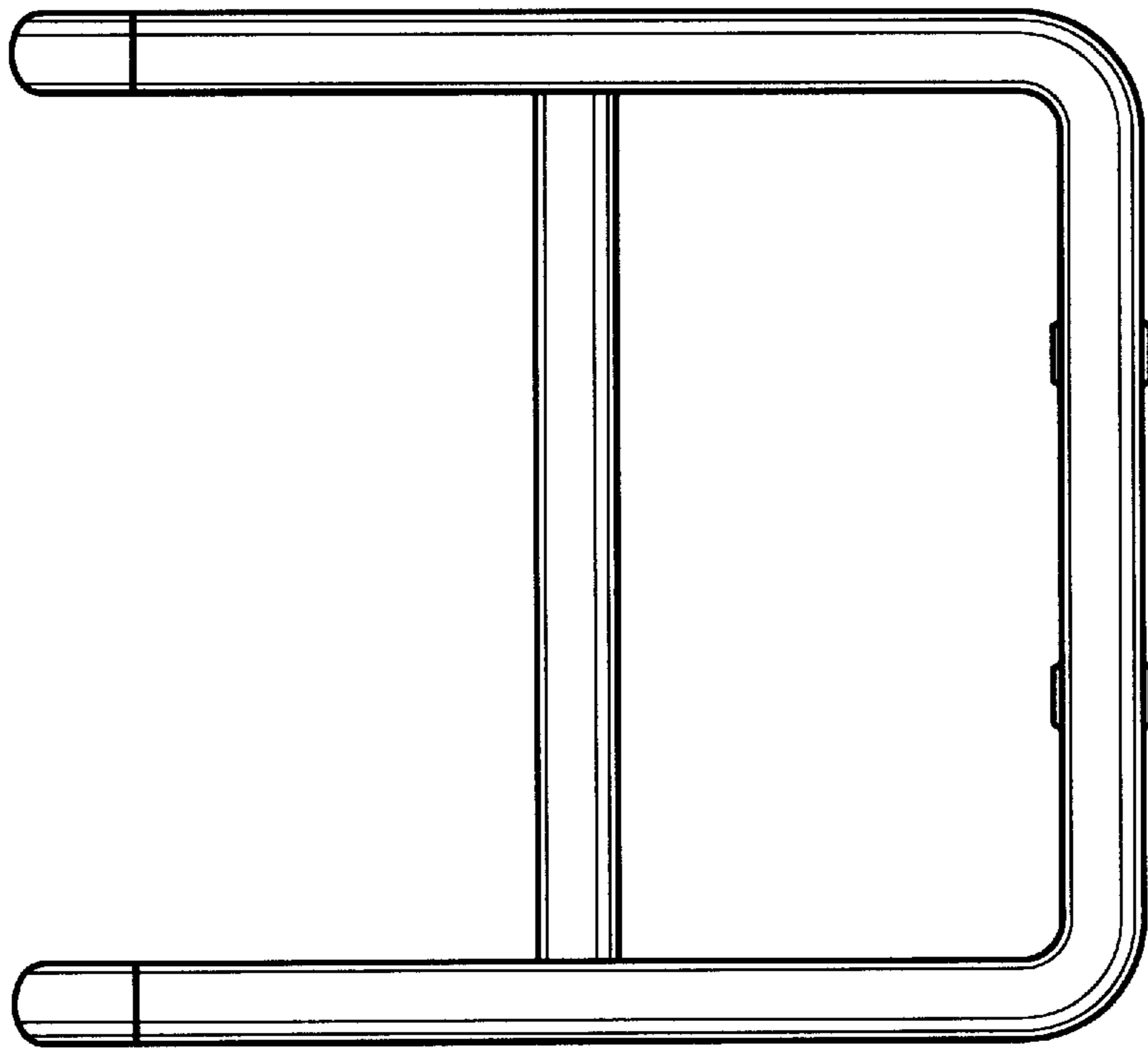


FIG. 3

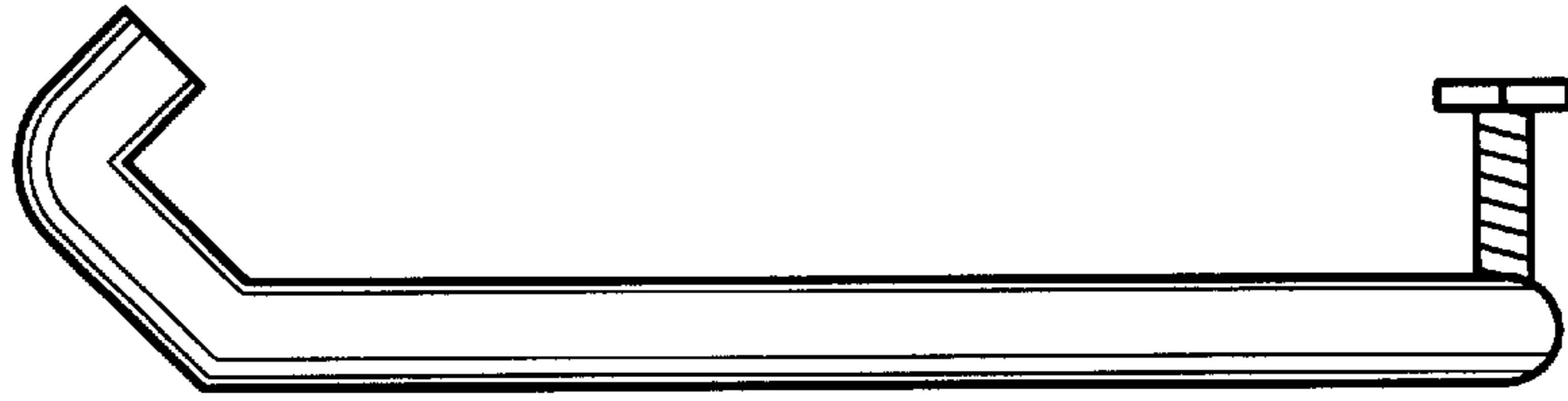


FIG. 4

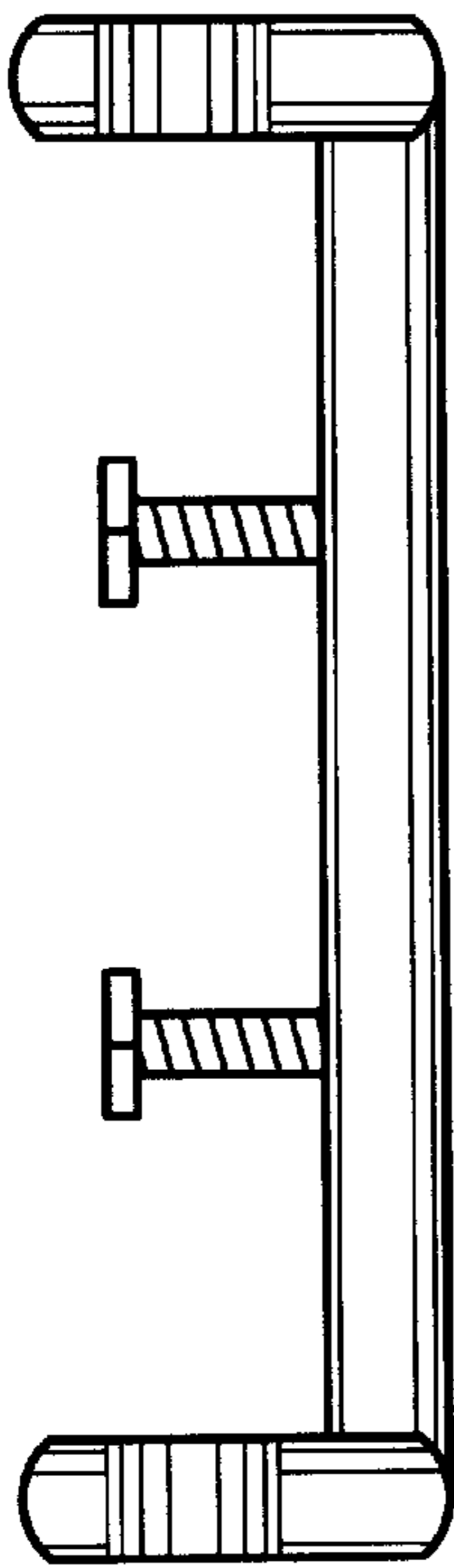


FIG. 5

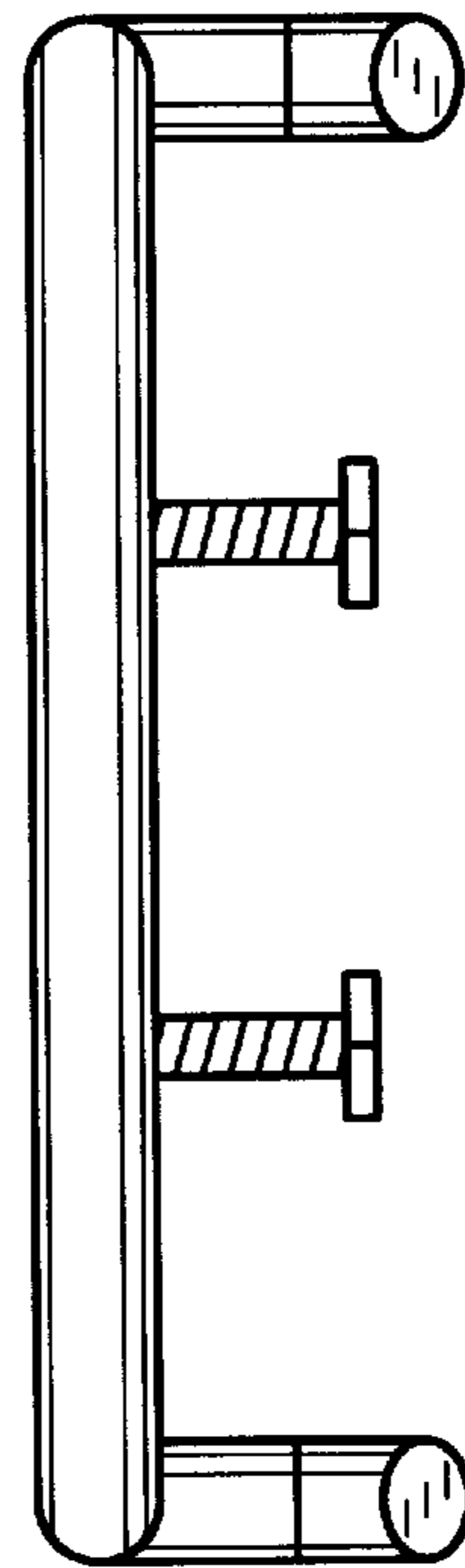


FIG. 6