



US00D404698S

United States Patent [19]

Schenk et al.

[11] Patent Number: Des. 404,698

[45] Date of Patent: **Jan. 26, 1999

[54] VEHICLE WINDOW VENT

[75] Inventors: Mitchell V. Schenk, Elkhart; John C. Ray, Bristol; Bradley S. Howard, Elkhart, all of Ind.

[73] Assignee: Plastic Form, Inc., Elkhart, Ind.

[**] Term: 14 Years

[21] Appl. No.: 81,085

[22] Filed: Nov. 26, 1997

Related U.S. Application Data

[63] Continuation of Ser. No. 61,410, Oct. 23, 1996, abandoned.

[51] LOC (6) Cl. 12-16

[52] U.S. Cl. D12/181; D12/181; D12/191

[58] Field of Search D12/183, 181, D12/191; 296/96.19, 96.21, 97.1, 97.2; 49/374, 440; 160/370.21, 371, DIG. 3; 454/131-135

[56] References Cited

U.S. PATENT DOCUMENTS

- D. 310,652 9/1990 Nagata .
- D. 379,957 6/1997 Strefling .
- 2,062,475 12/1936 Paton .
- 2,859,680 11/1958 O'Shei .
- 2,919,638 1/1960 Mathews .
- 3,866,524 2/1975 Forbes, Jr. .
- 4,756,242 7/1988 Keith .
- 4,923,241 5/1990 Miller .
- 5,251,953 10/1993 Willey .

OTHER PUBLICATIONS

- J C Whitney & Co Catalog, No. 579E, p. 104 the Ventvisor Deflector and Lexan Door Visor, ©1995.
- Ad "GTS Styling in Motion", Trucking Times Magazine, Nov./Dec. 1994.
- Ad "Ventvisor", p. 33 and Off Road Aerovisor Wind Deflector, p. 34 (admitted prior art).
- Installation Instructions, Auto Ventshade Company, "Ventvisor Deflector", 247G, 1991.

- Installation Instructions, Auto Ventshade Company, "Ventvisor Deflector", 277F, 281F, 283F (admitted prior art).
- Ad "Ventshade", p. 35, 1993.
- Flyer showing Auto Ventshade Company products, 2 pages, 1994.
- Flyer by Driver Design showing T-300 RAM Truck Air Flares (admitted prior art).
- Driver Design 1995-96 Full Line application chart, front cover, Oct. 1995.
- Ad "The G.T. Styling Difference", Trucking Times magazine, Nov./Dec. 1995.
- EGR Flyer (admitted prior art).
- 3M Acrylic Foam Tape leaflet, 4 pages, 1994.
- Ad "Looking Good", Trucking Times magazine, Nov./Dec. 1995.

(List continued on next page.)

Primary Examiner—Melody N. Brown
Attorney, Agent, or Firm—Leon E. Redman; Edgar A. Zarins

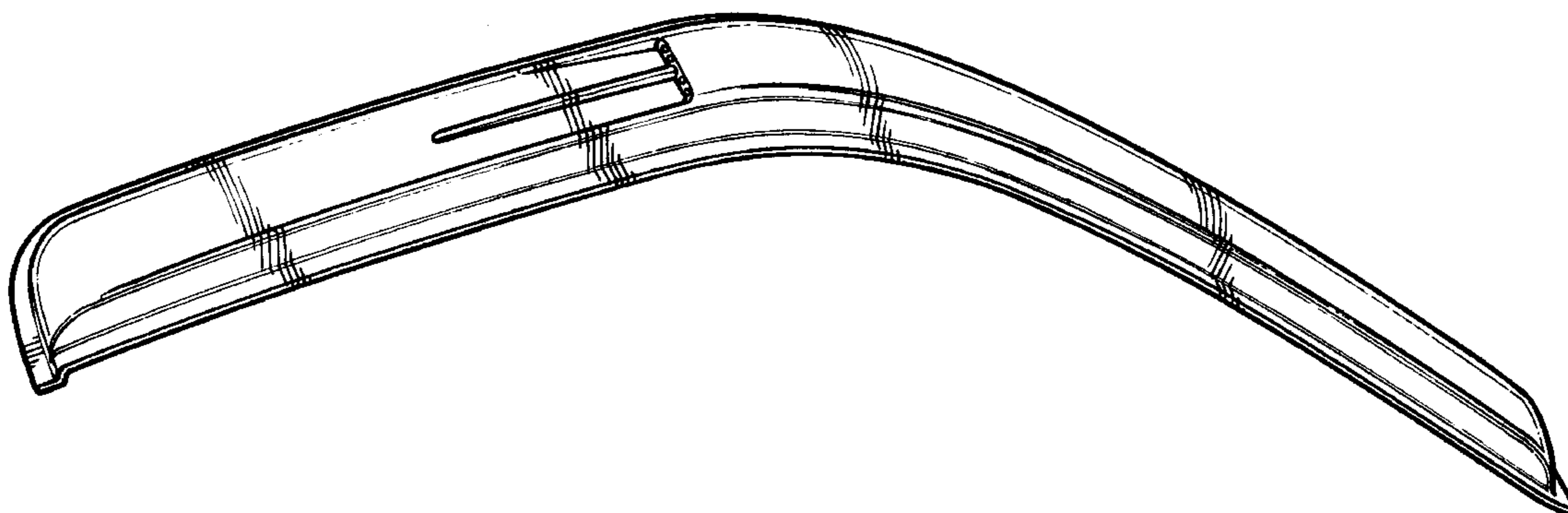
[57] CLAIM

The ornamental design for a vehicle window vent, as shown and described.

DESCRIPTION

- FIG. 1 is a perspective view of a vehicle window vent showing our new design;
- FIG. 2 is a side elevational view thereof;
- FIG. 3 is a top plan view thereof;
- FIG. 4 is a bottom plan view thereof;
- FIG. 5 is a front elevational view thereof;
- FIG. 6 is a rear elevational view thereof;
- FIG. 7 is an enlarged partial cross-sectional view thereof taken along the lines 7—7 of FIG. 2;
- FIG. 8 is an enlarged cross-sectional view thereof taken along the lines 8—8 of FIG. 2;
- FIG. 9 is an enlarged broken cross-sectional view thereof taken along the lines 9—9 of FIG. 2;
- FIG. 10 is an enlarged cross-sectional view thereof taken along the lines 10—10 of FIG. 2; and,
- FIG. 11 is an enlarged cross-sectional view thereof taken along the lines 11—11 of FIG. 2.

1 Claim, 5 Drawing Sheets



OTHER PUBLICATIONS

1995 Catalog, GTS Styling in Motion, pp. 1, 3, 16–19, 23, 1995.

Ad “GTS Styling in Motion”, Nov./Dec. 1994 Trucking Times Magazine.

Installation Instructions from Auto Ventshade Company, “Ventvisor Deflector”, 247G, 1991.

EGR Flyer, no publication date available.

3M Acrylic Foam Tape leaflet, 4 pages, 1994.

Ad “Looking Good”, Nov./Dec. 1995 Trucking Times magazine.

1995 Catalog, GTS Styling in Motion, pp. 1, 3, 16–19, 23, 1995.

Ad “Ventshade”, p. 35, 1993.

Flyer showing Auto Ventshade Company Ventvisor, Aero-visor products distributed by Century, 2 pages, 1994.

Driver Design 1995–96 Full Line application chart, front cover, Oct. 1995.

Ad “The G.T. Styling Difference”, Nov./Dec. 1995, Trucking Times magazine.

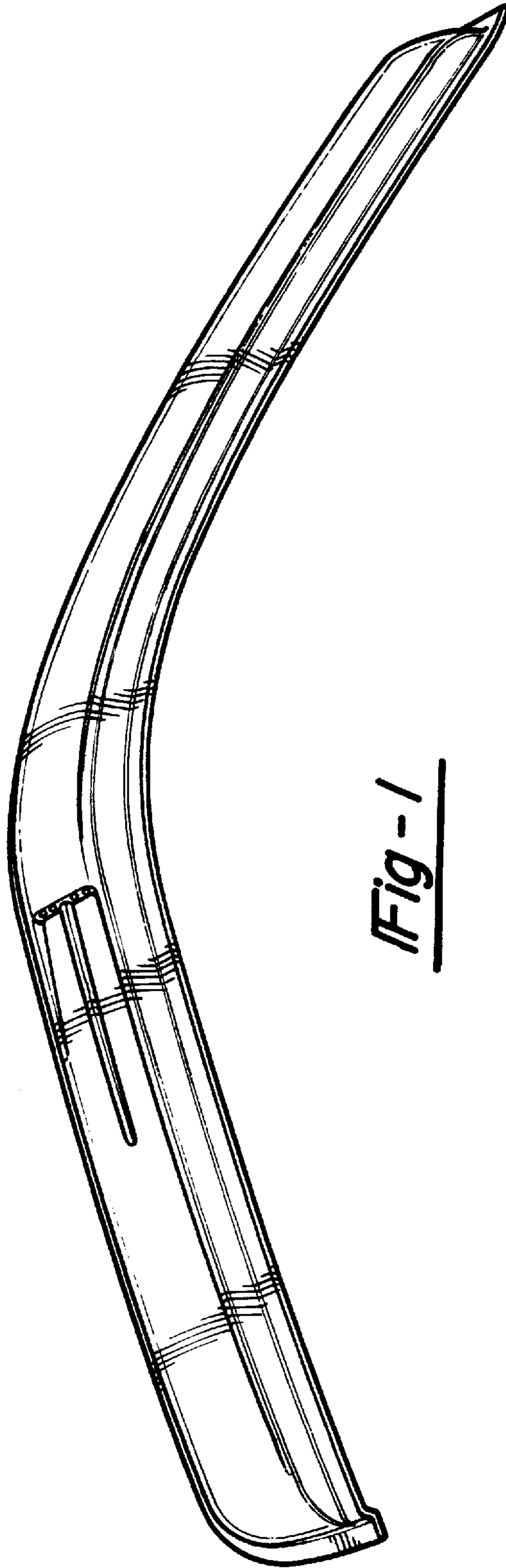


Fig - 1

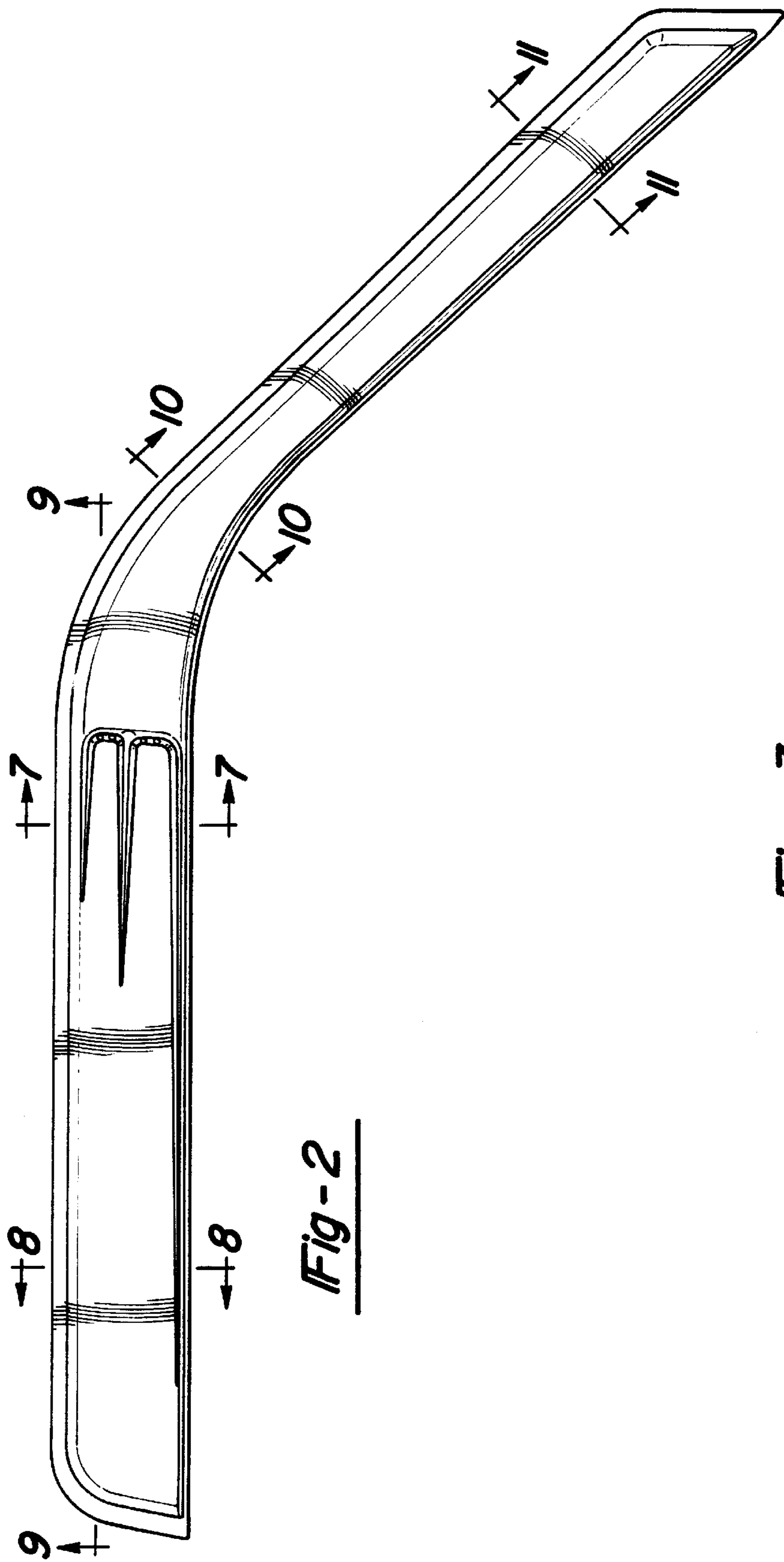


Fig - 2

Fig - 3

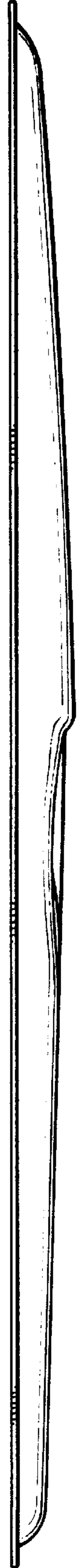




Fig - 4

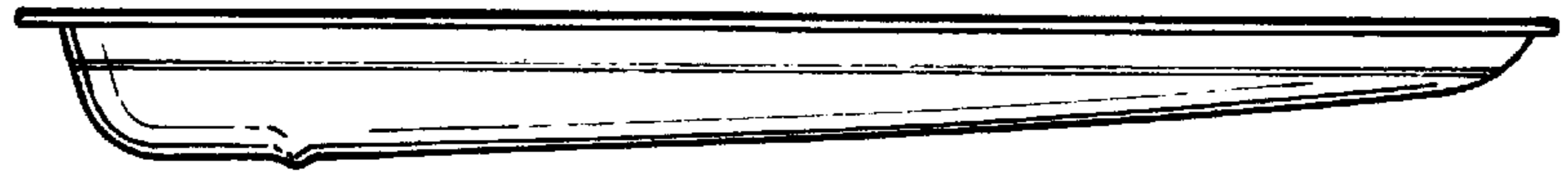


Fig - 6

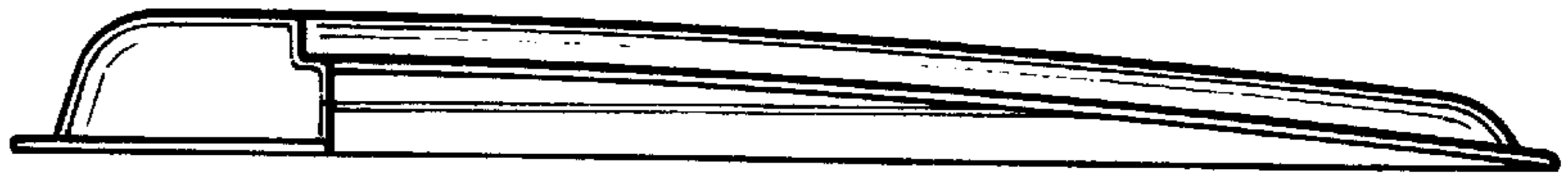


Fig - 5

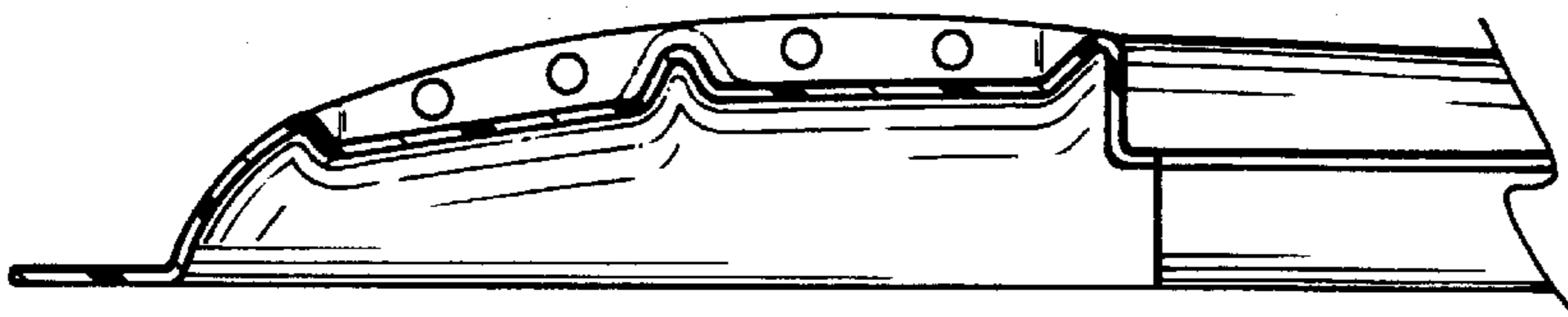


Fig - 7

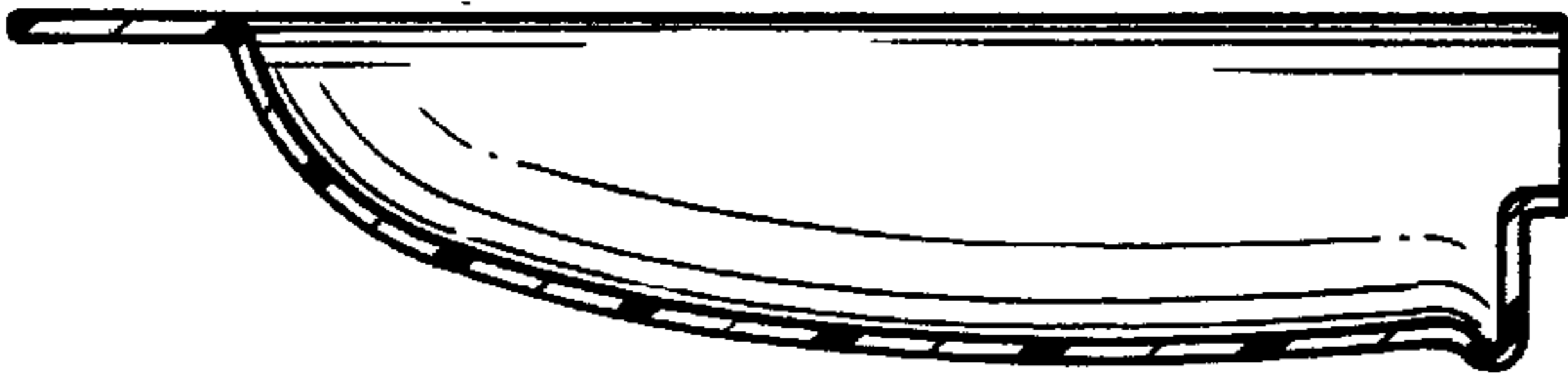


Fig - 8

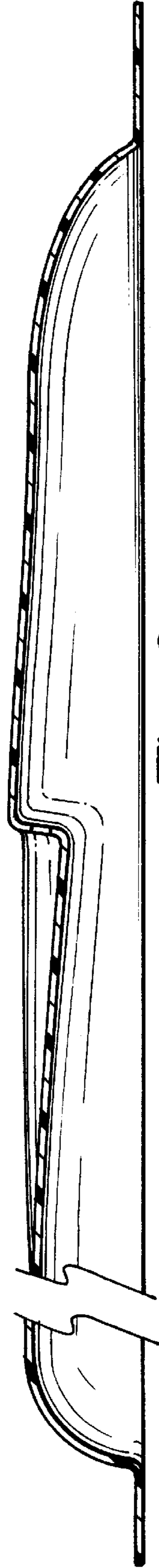


Fig - 9

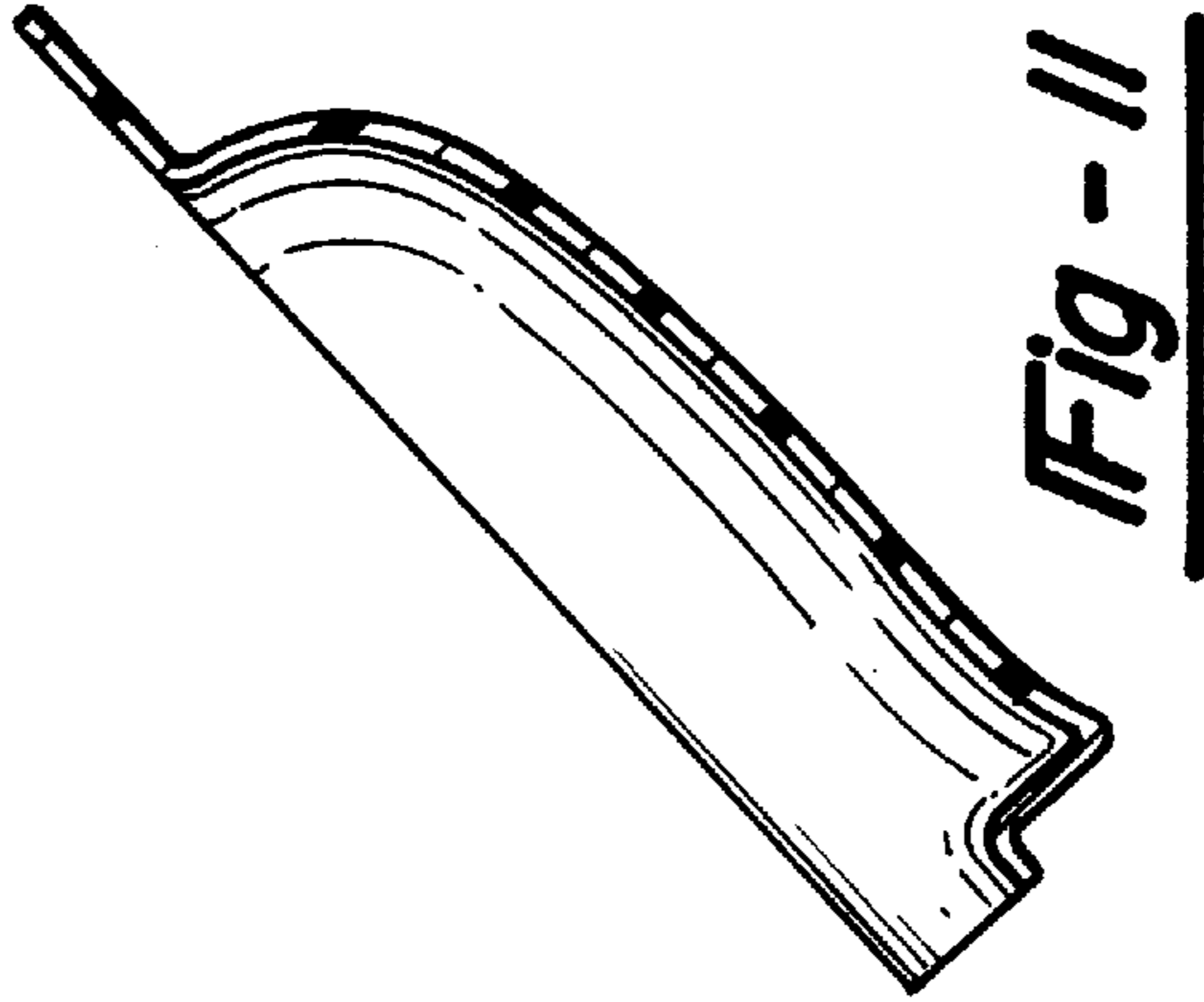


Fig - 11

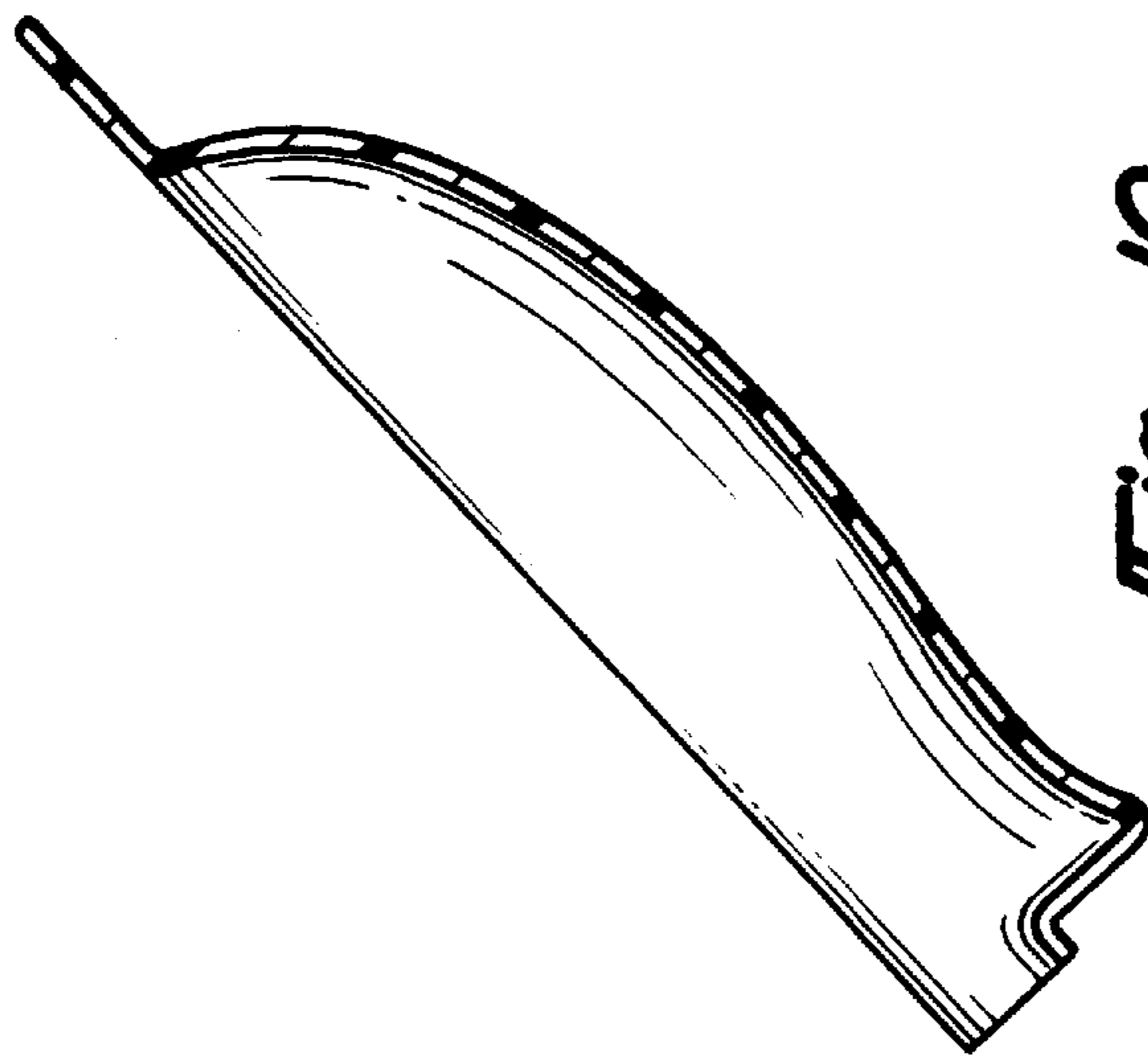


Fig - 10