



US00D404697S

United States Patent [19] Siltavuori

[11] **Patent Number: Des. 404,697**

[45] **Date of Patent: **Jan. 26, 1999**

[54] **VEHICLE GRILL**

[75] Inventor: **Anti Siltavuori**, Fiskars, Finland

[73] Assignee: **Tamrock Loaders, Inc.**, Burlington, Canada

[**] Term: **14 Years**

[21] Appl. No.: **80,253**

[22] Filed: **Dec. 5, 1997**

[51] **LOC (6) Cl.** **12-16**

[52] **U.S. Cl.** **D12/163**

[58] **Field of Search** D12/163, 93, 167,
D12/169, 90-92; 293/102, 115; 180/68.1,
68.6

[56] **References Cited**

U.S. PATENT DOCUMENTS

D. 312,438	11/1990	Luata	D12/163
D. 355,156	2/1995	Davis	D12/163
D. 366,859	2/1996	Davis, Jr.	D12/163
5,188,445	2/1993	Hann et al.	180/69.2

Primary Examiner—Melody N. Brown
Attorney, Agent, or Firm—Merek & Voorhees

[57] **CLAIM**

The ornamental design for a vehicle grill, as shown and described.

DESCRIPTION

FIG. 1 is a front perspective view of a vehicle grill showing my new design;

FIG. 2 is a top plan view thereof;

FIG. 3 is a front elevational view thereof;

FIG. 4 is a side elevational view thereof;

FIG. 5 is a front perspective view of a second embodiment thereof;

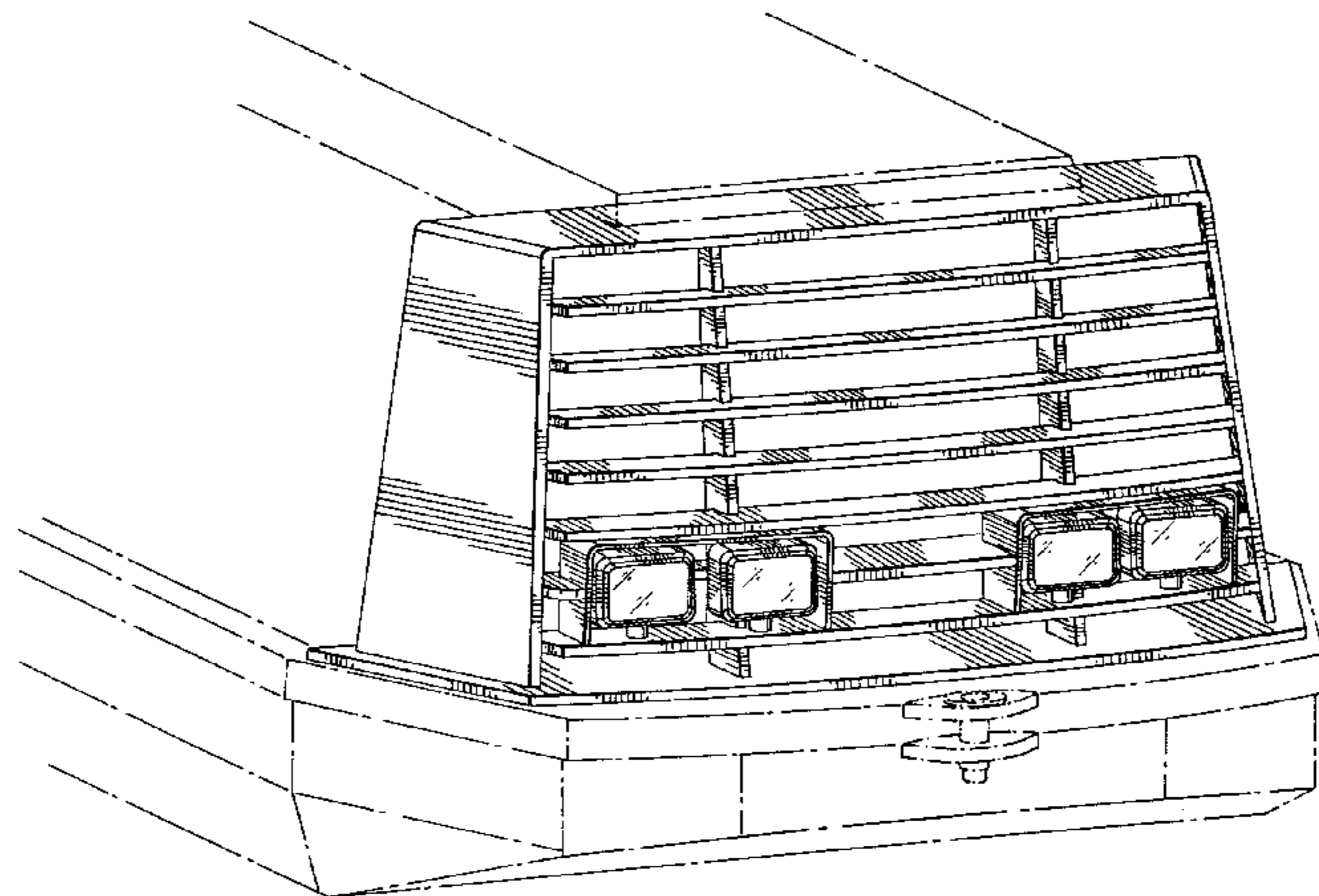
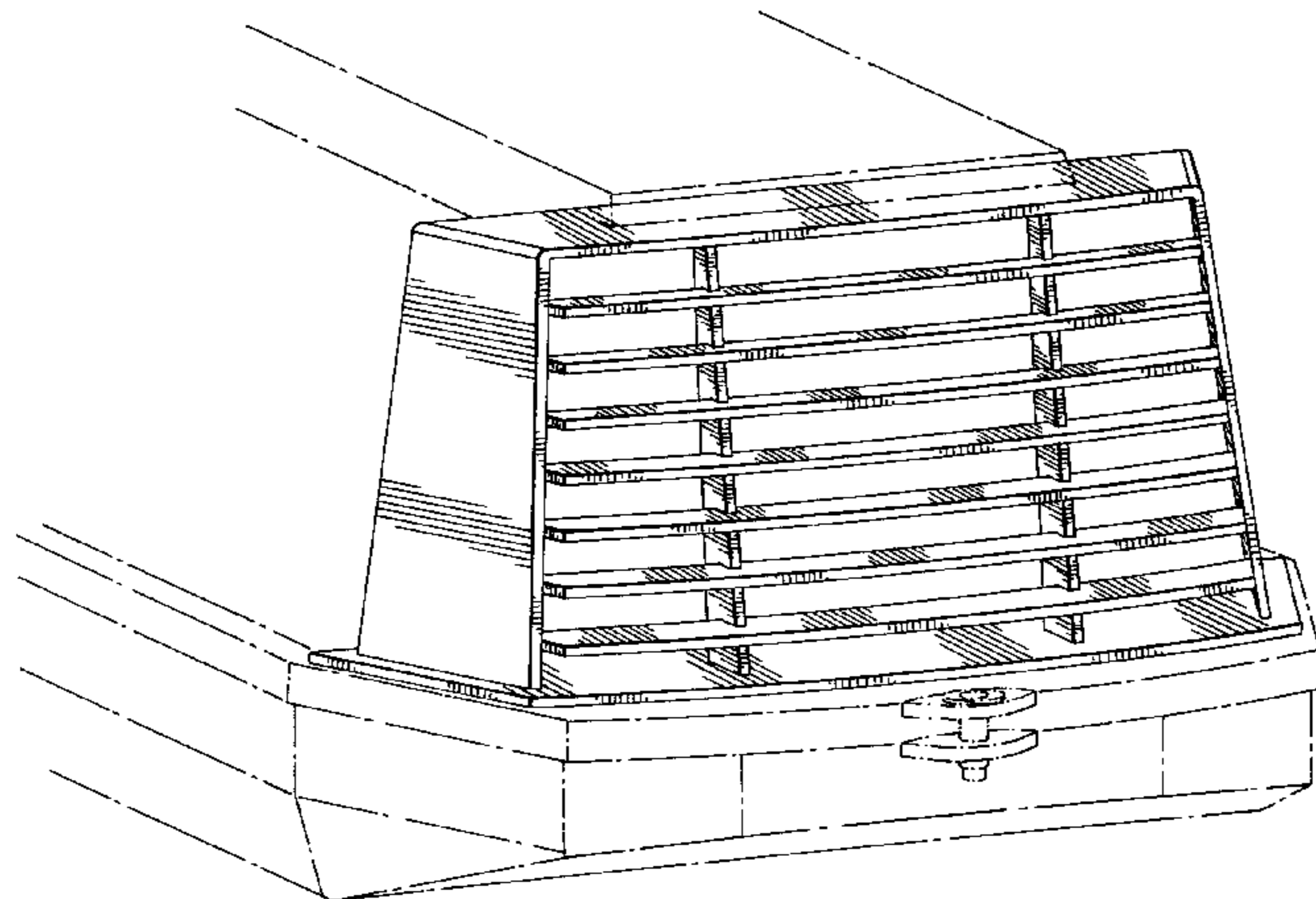
FIG. 6 is a top plan view of the embodiment of FIG. 5;

FIG. 7 is a front elevational view of the embodiment of FIG. 5; and,

FIG. 8 is a side elevational view of the embodiment of FIG. 5.

The broken lines shown in FIGS. 1 and 5 are for illustrative purposes only and form no part of the claimed design.

1 Claim, 8 Drawing Sheets



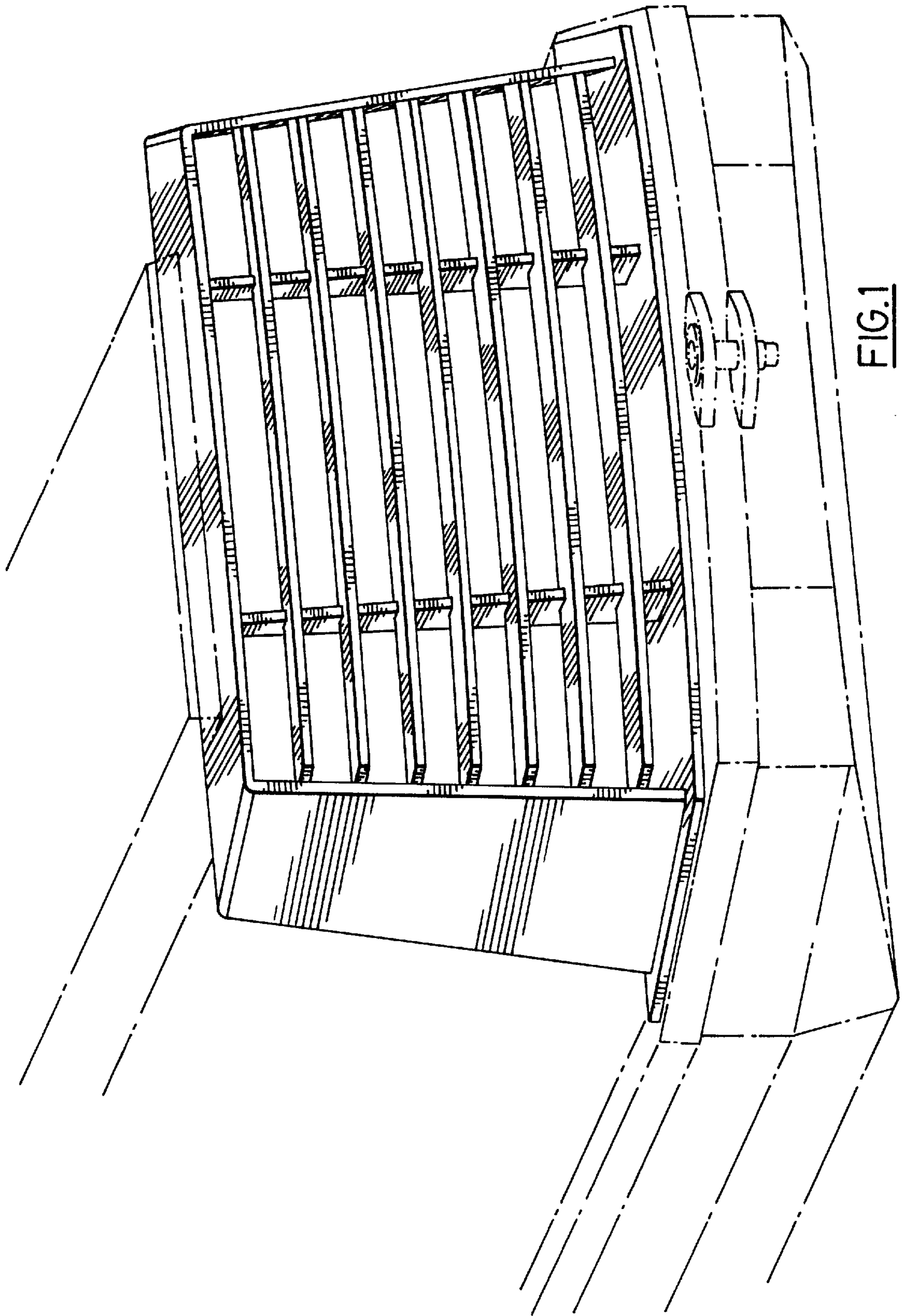


FIG. 1

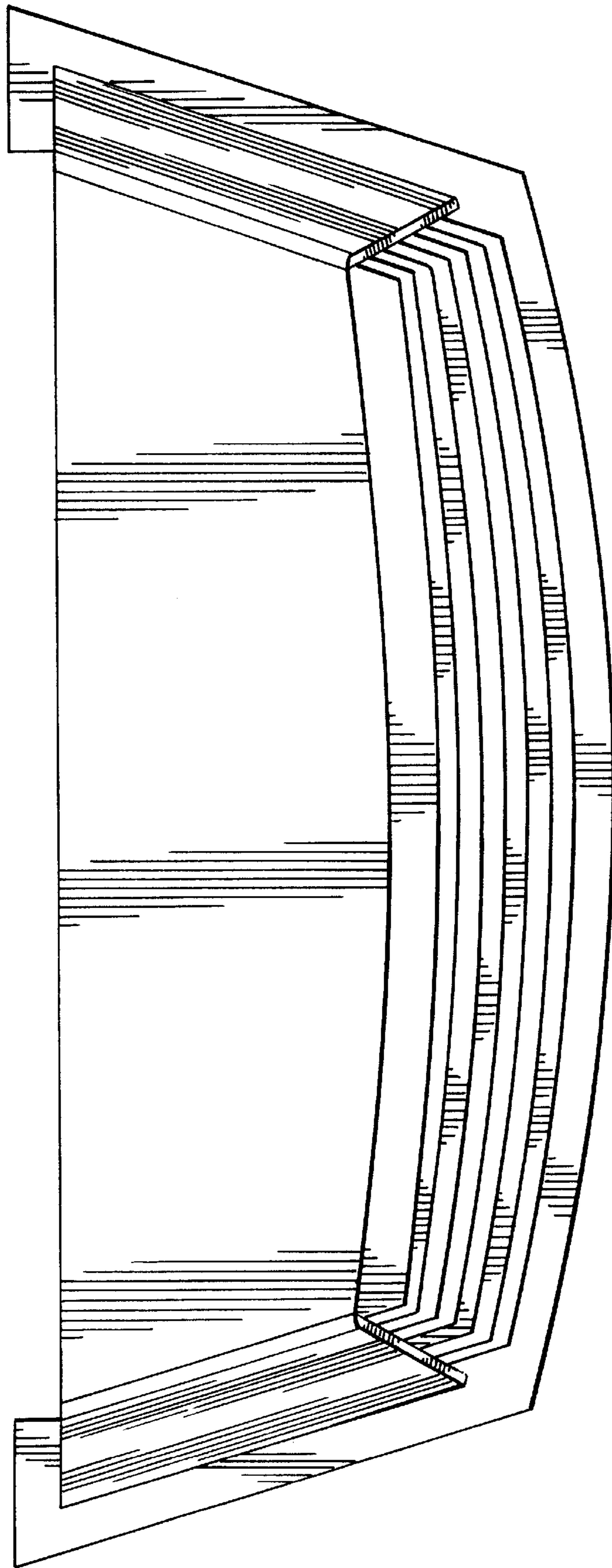


FIG. 2

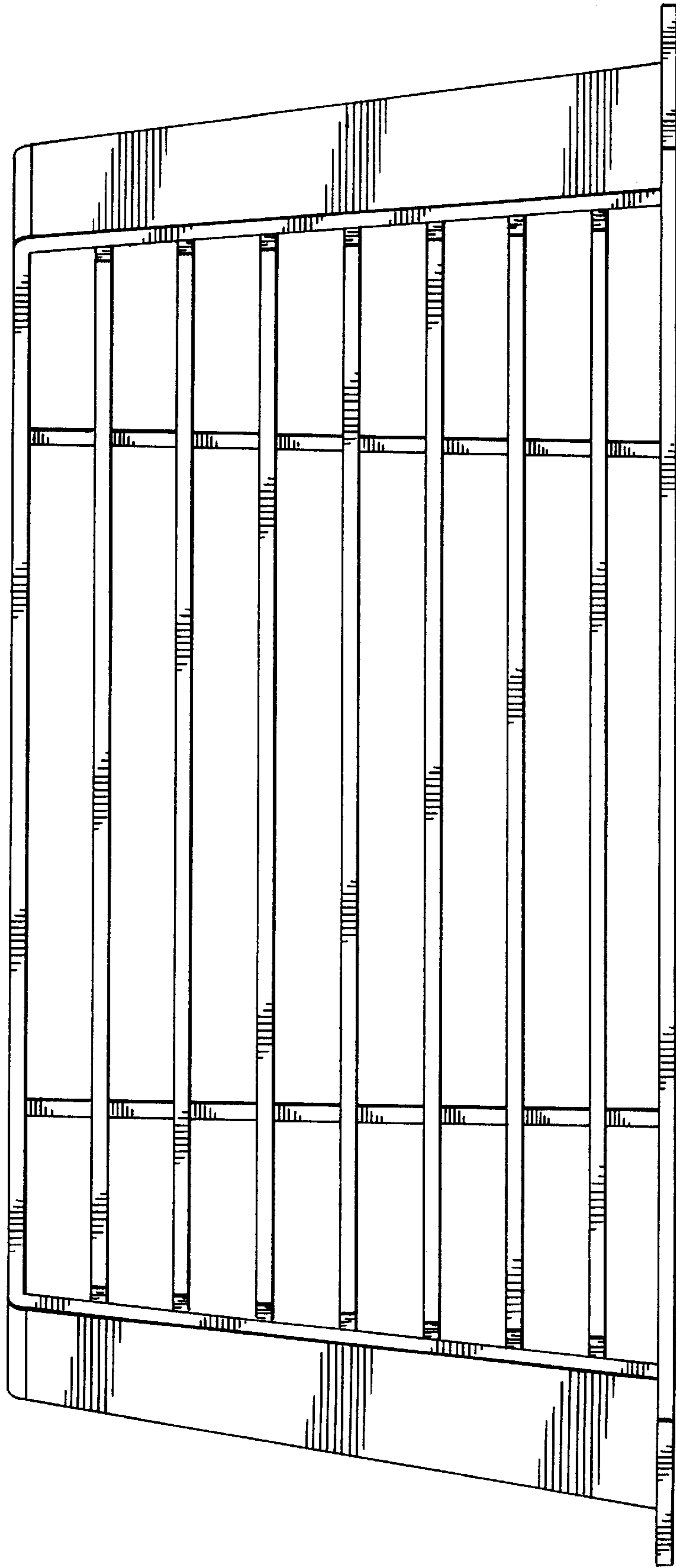


FIG. 3

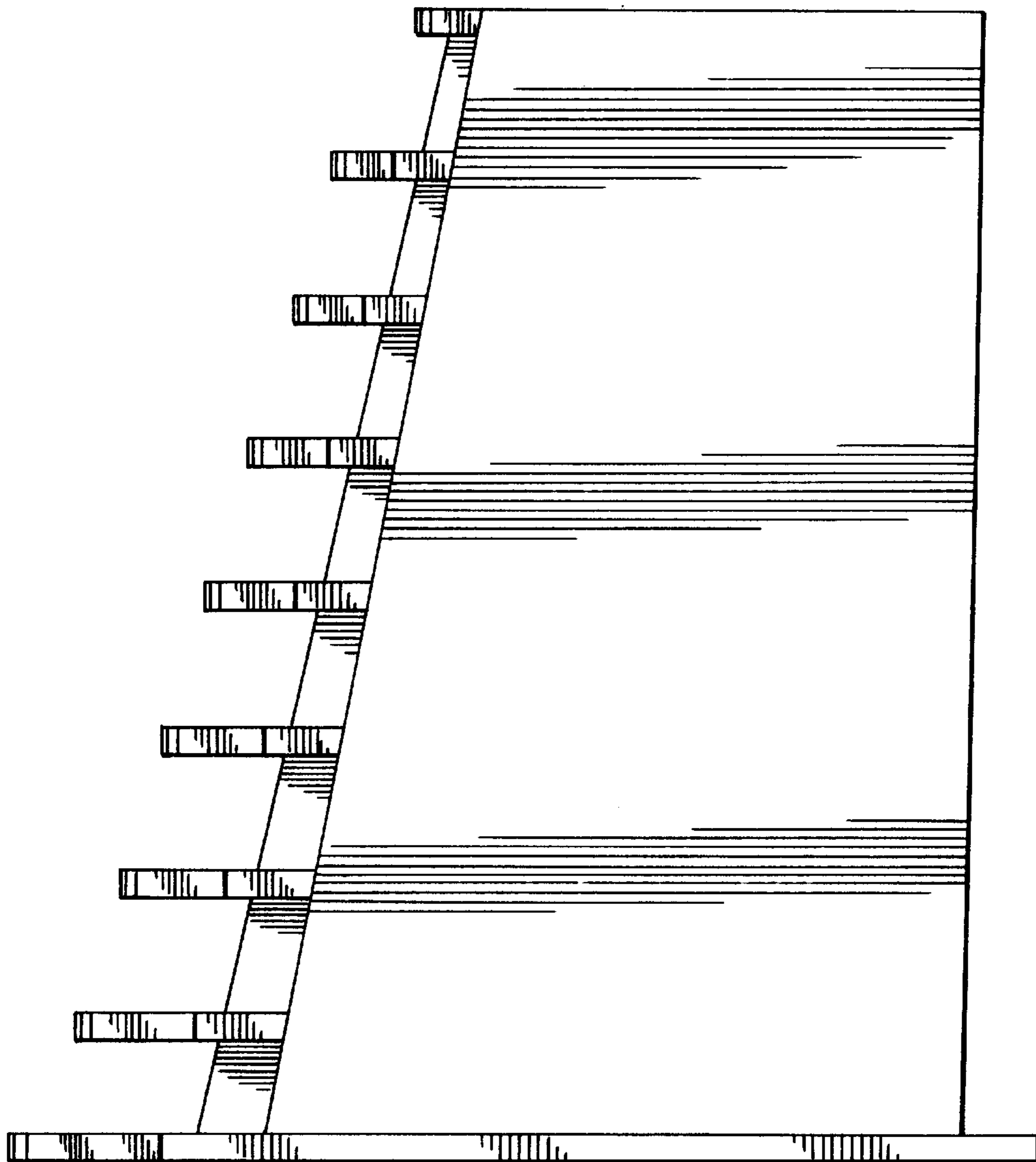


FIG. 4

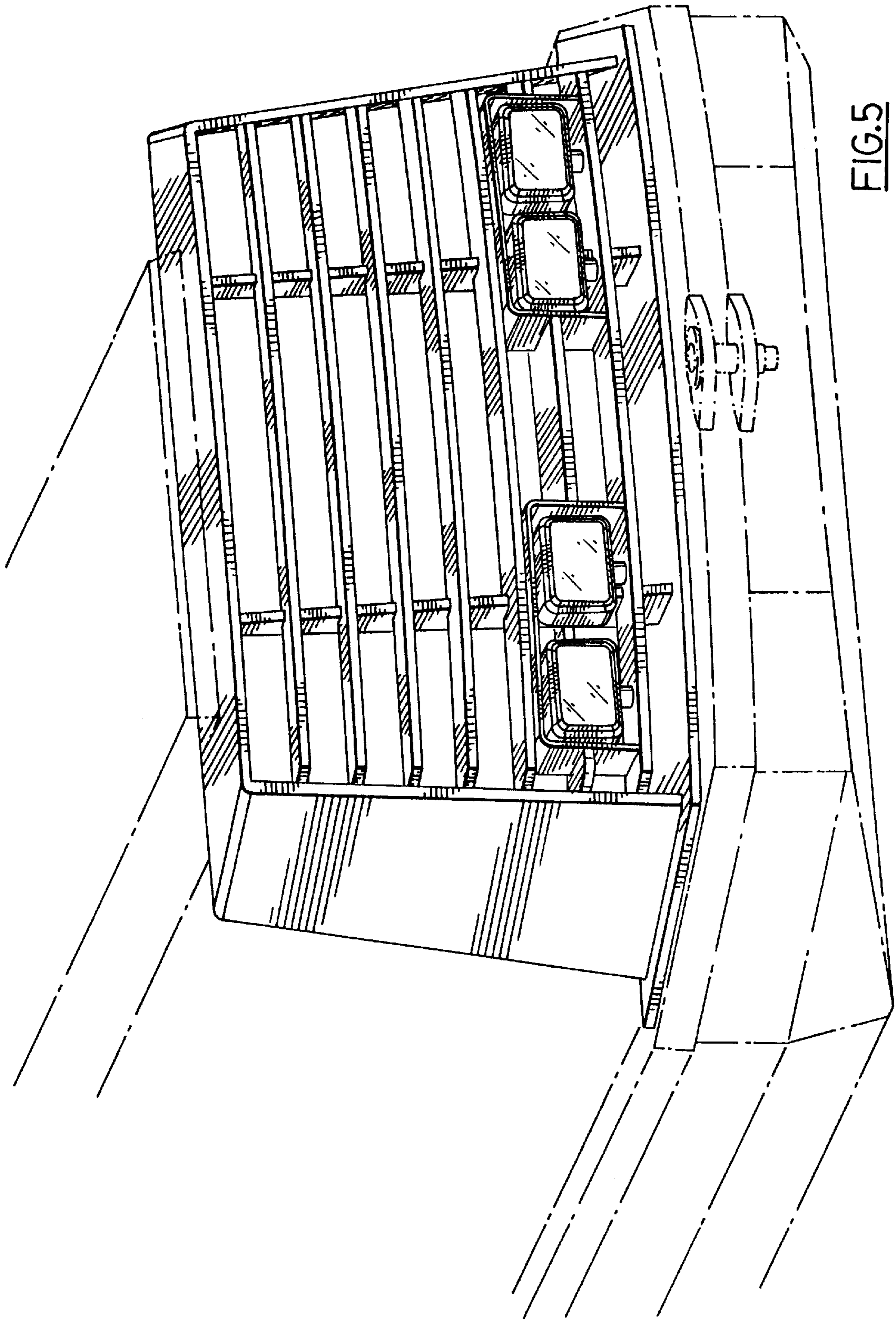


FIG. 5

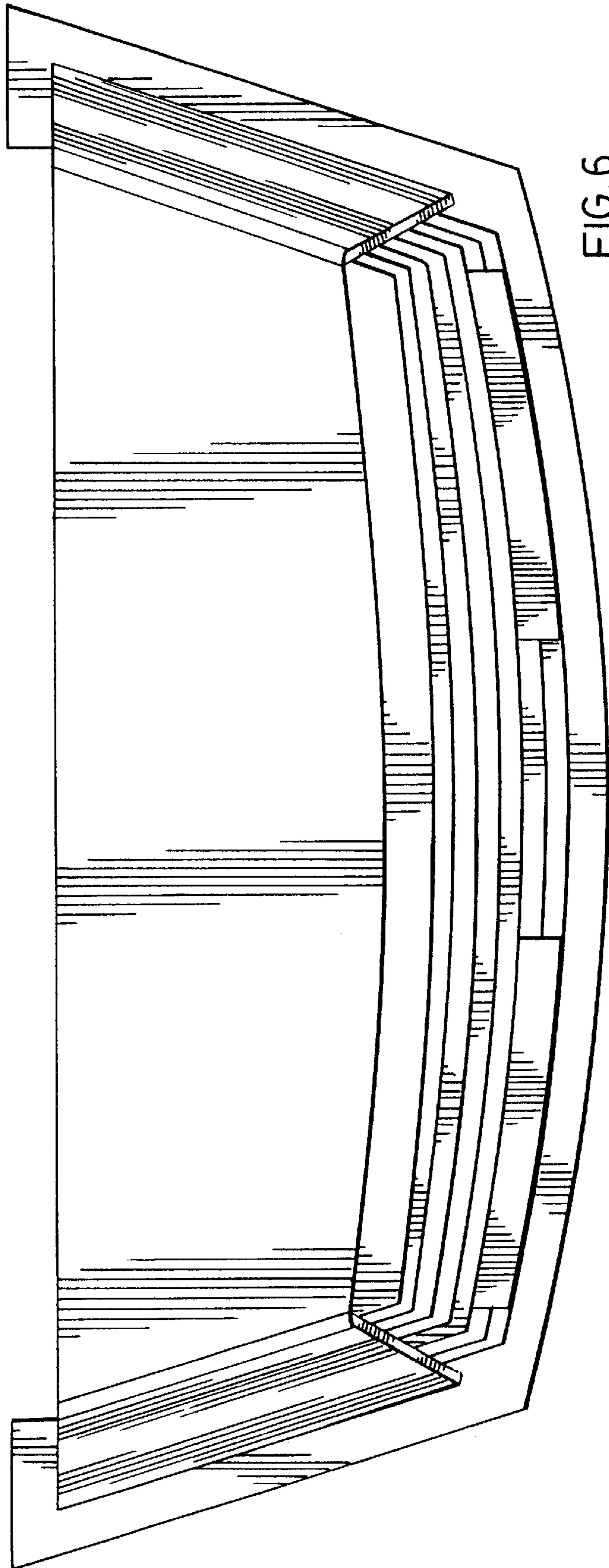


FIG. 6

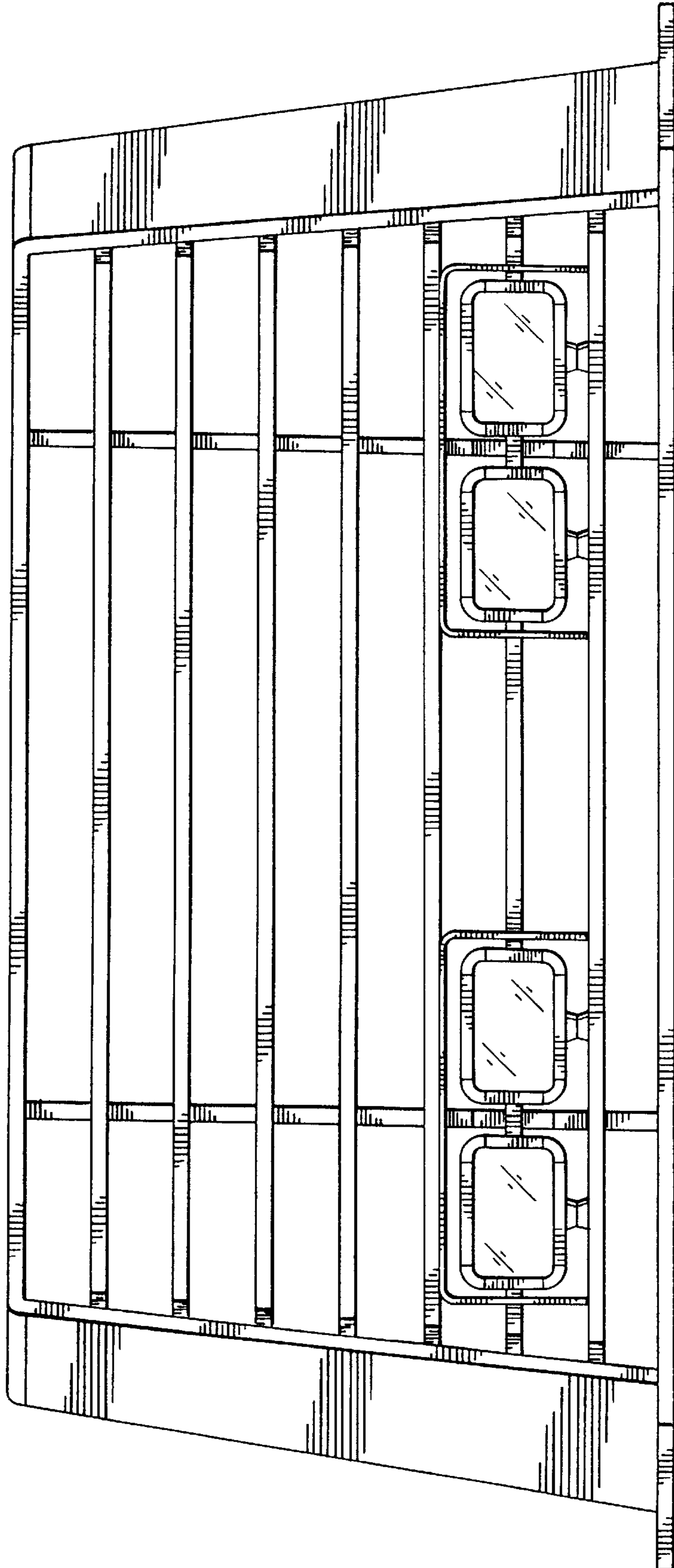


FIG.7

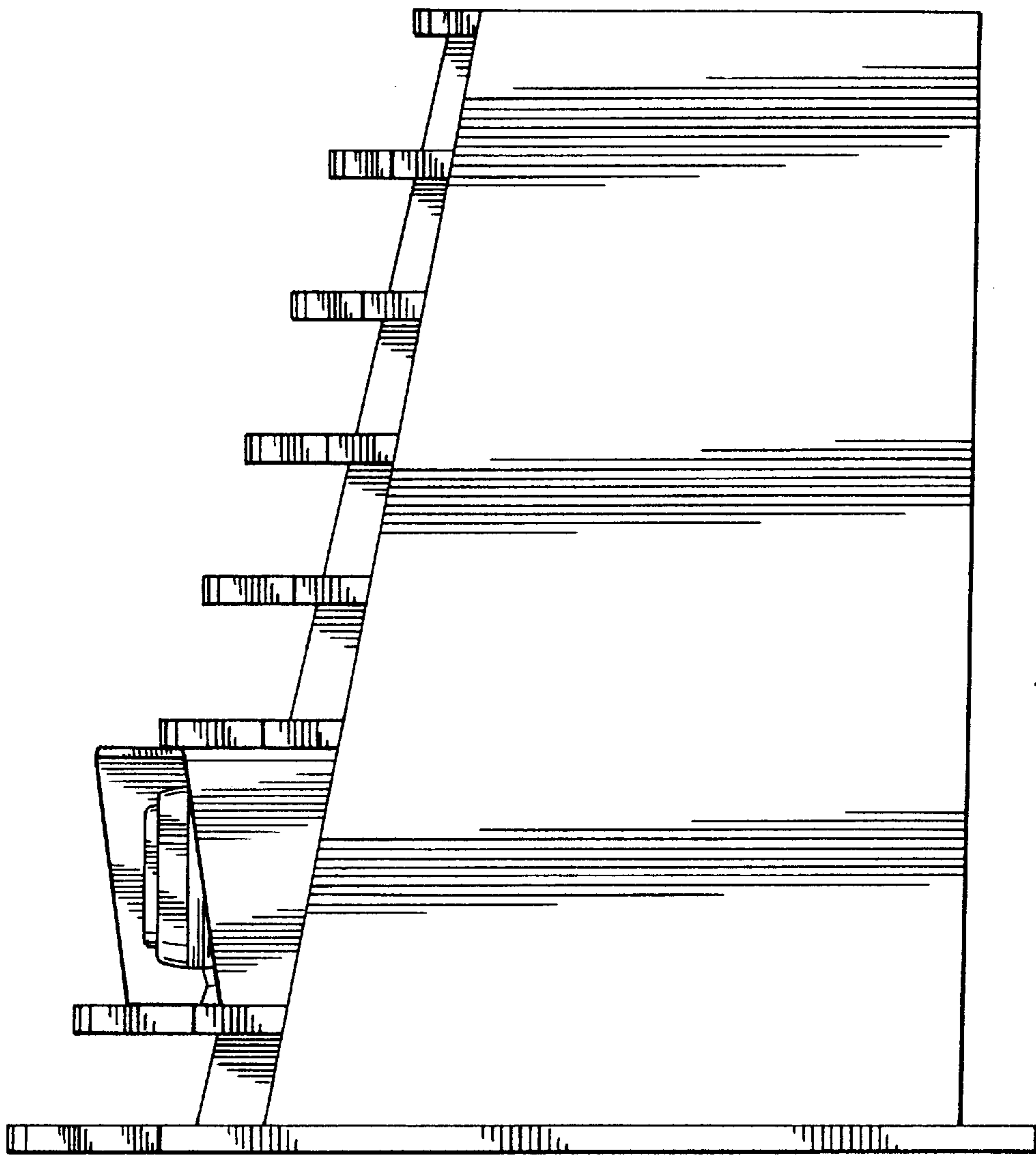


FIG. 8