



US00D404696S

United States Patent [19] Julian

[11] **Patent Number: Des. 404,696**

[45] **Date of Patent: **Jan. 26, 1999**

[54] **BASEBALL HITCH PLUG**

1,383,290 7/1921 Cressey D9/307 X
3,624,939 12/1971 Gossard D9/307 X

[76] Inventor: **Patrick M. Julian**, 6909 Weedin Pl.
NE.-Apartment B-402, Seattle, Wash.
98115

Primary Examiner—Robert M. Spear
Attorney, Agent, or Firm—Snell & Wilmer, L.L.P.

[**] Term: **14 Years**

[57] **CLAIM**

[21] Appl. No.: **85,122**

The ornamental design for a baseball hitch plug, as shown and described.

[22] Filed: **Mar. 17, 1998**

DESCRIPTION

[51] **LOC (6) Cl.** **12-16**

[52] **U.S. Cl.** **D12/162**

[58] **Field of Search** D12/162, 400;
D9/307, 441, 451; D29/106; 211/14; 280/477,
490.1, 507, 511

FIG. 1 is a perspective view of a baseball hitch plug showing my new design;

FIG. 2 is a top plan view of the baseball hitch plug;

FIG. 3 is a bottom plan view of the baseball hitch plug;

FIG. 4 is a front elevational view of the baseball hitch plug;

FIG. 5 is a rear elevational view of the baseball hitch plug;

FIG. 6 is a side elevational view of the baseball hitch plug; and,

FIG. 7 is a perspective view, shown at a reduced scale of the baseball hitch plug mounted on the hitch of a vehicle.

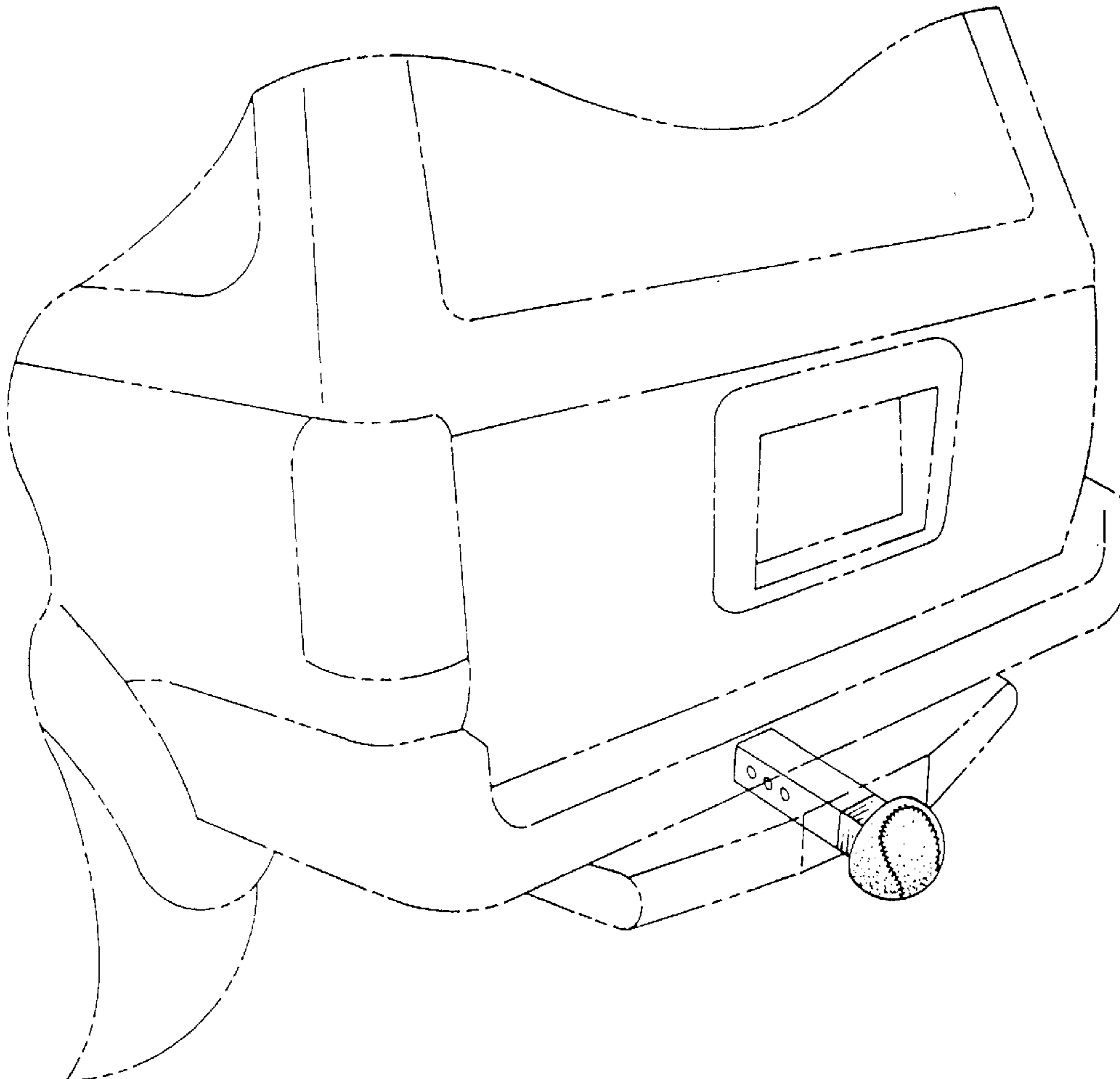
The broken line showing a vehicle is for illustrative purposes only and forms no part of the claimed design.

[56] **References Cited**

U.S. PATENT DOCUMENTS

D. 357,541	4/1995	Neidell	D9/451
D. 369,996	5/1996	Wylie	D12/162
D. 373,310	9/1996	Trautmann	D9/441
D. 383,979	9/1997	Tucker	D9/451
D. 391,478	3/1998	D'Arrigo	D9/307

1 Claim, 2 Drawing Sheets



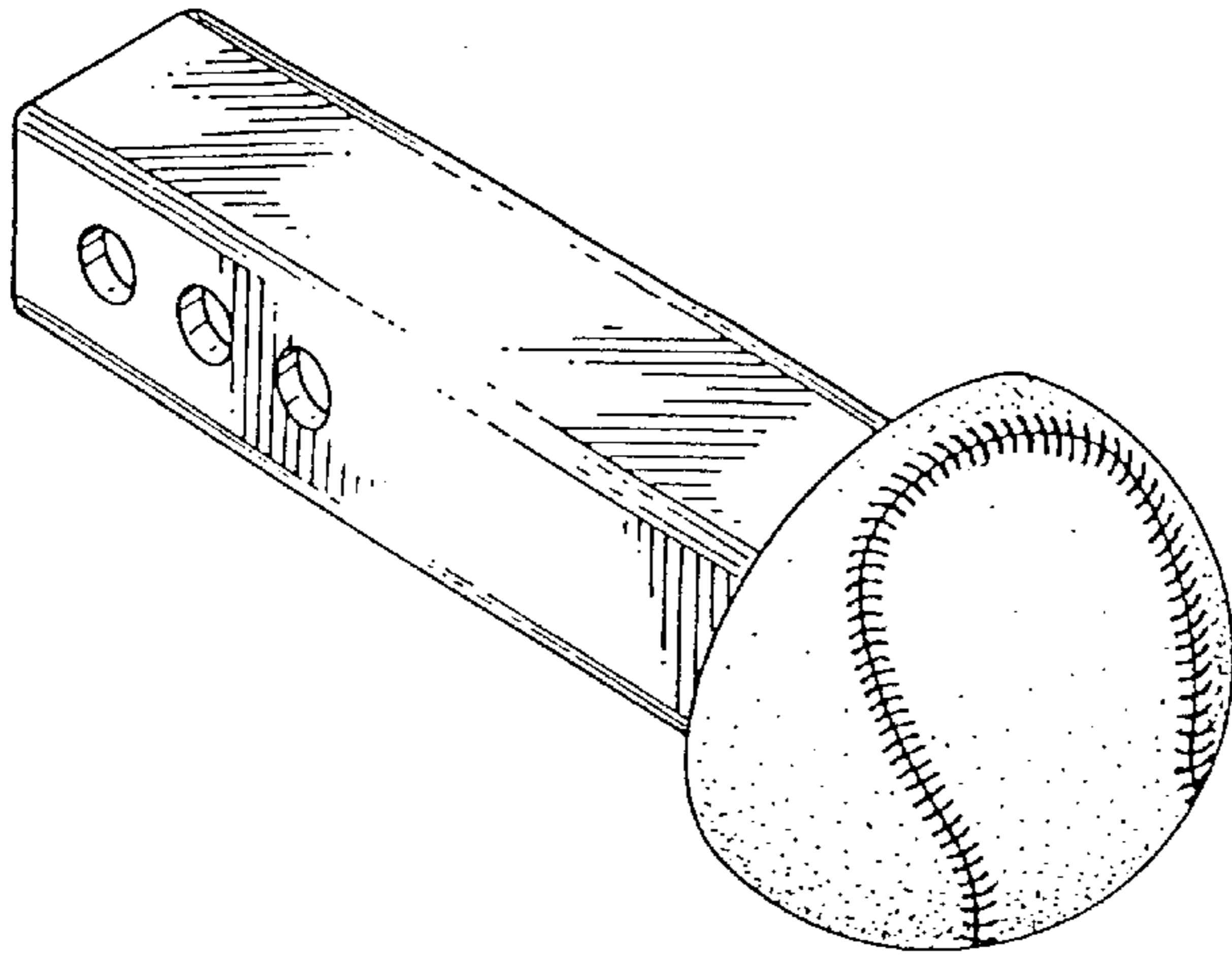


FIG. 1

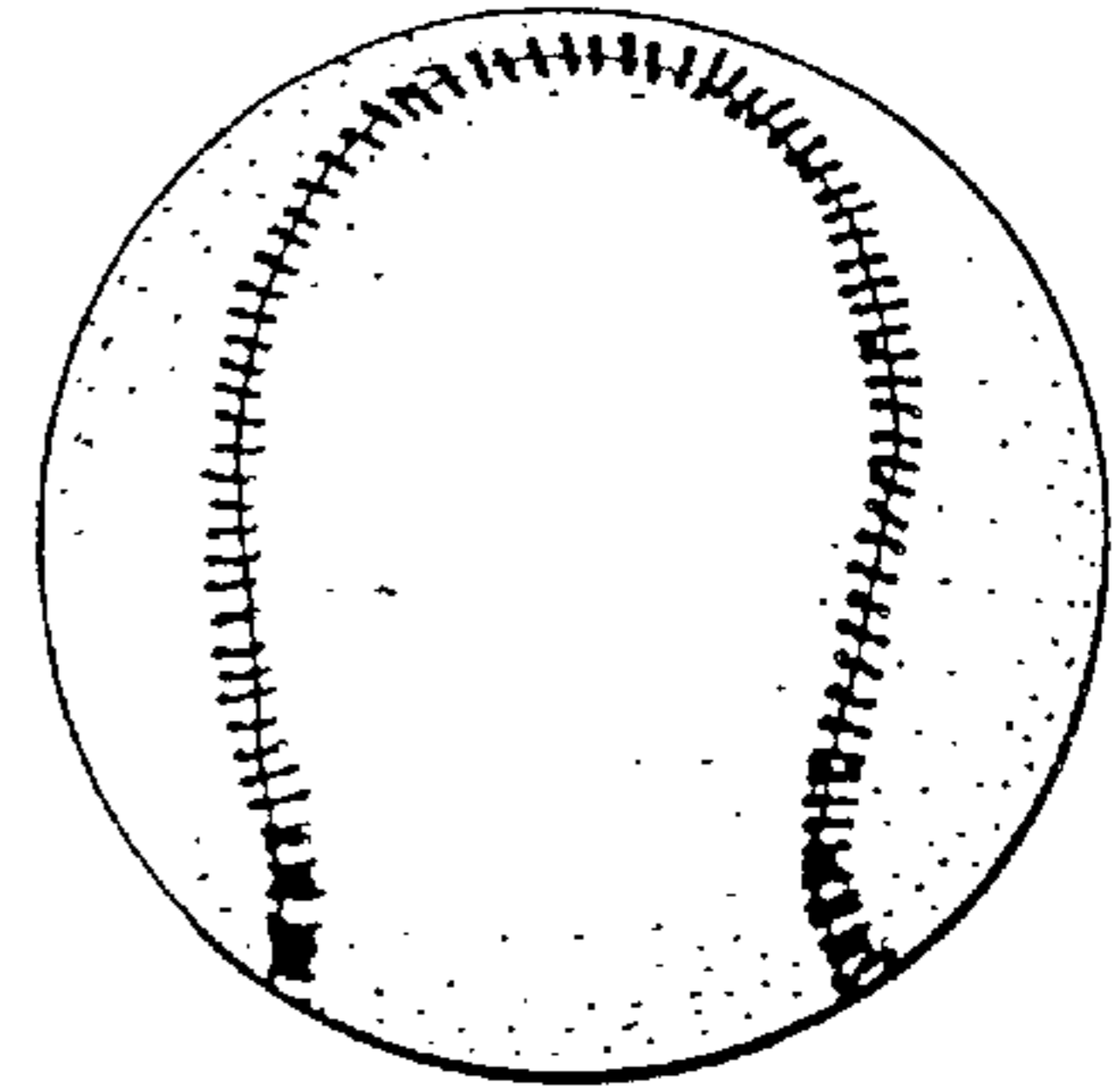


FIG. 4

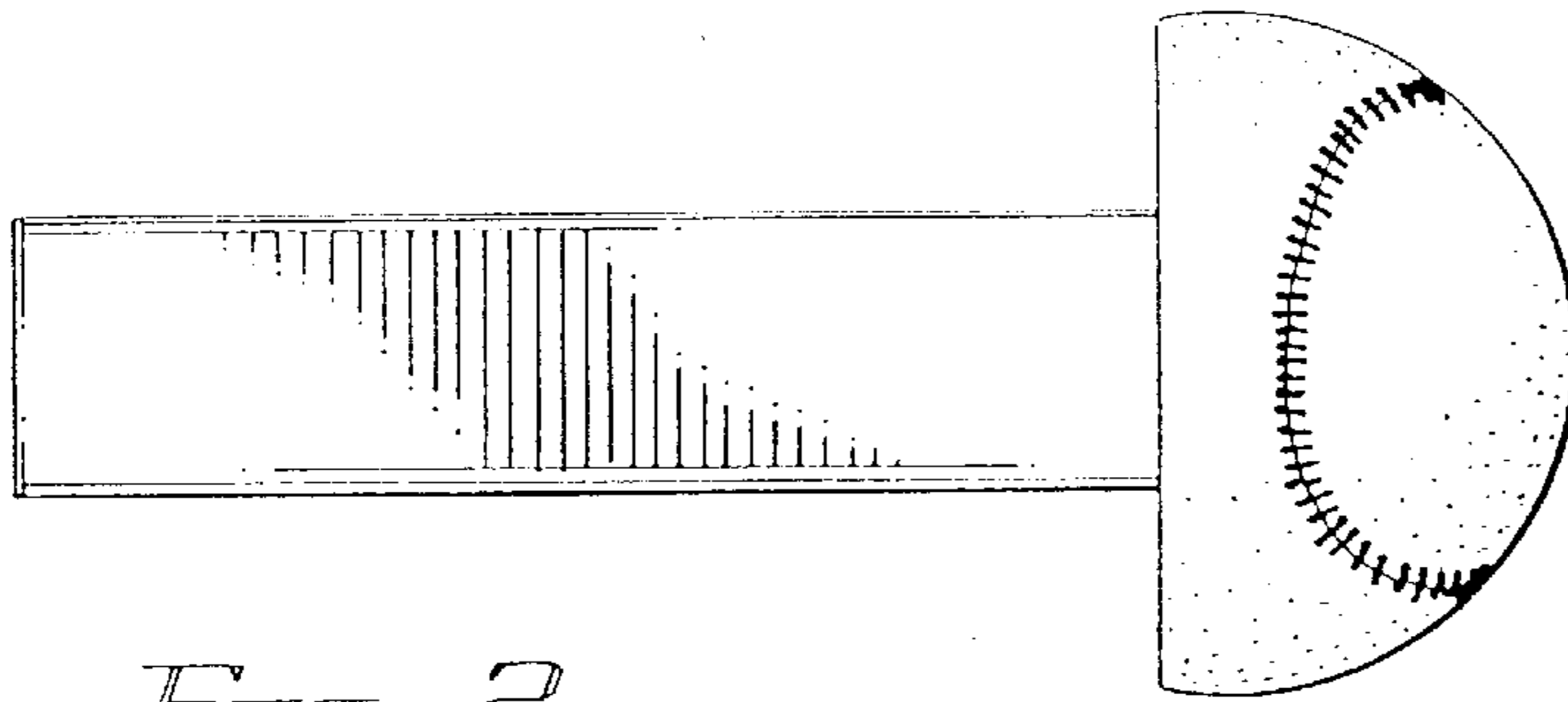


FIG. 2

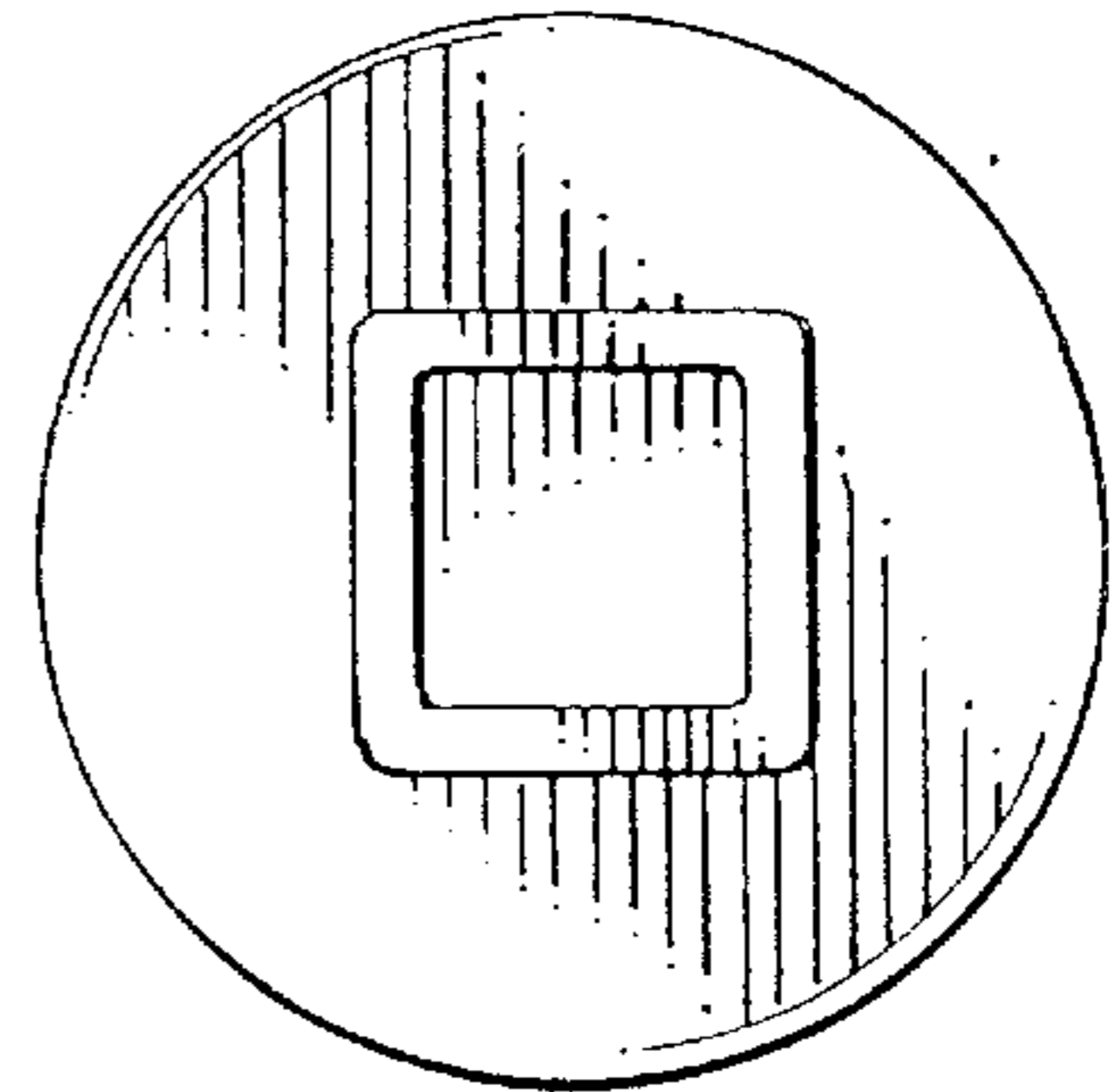


FIG. 5

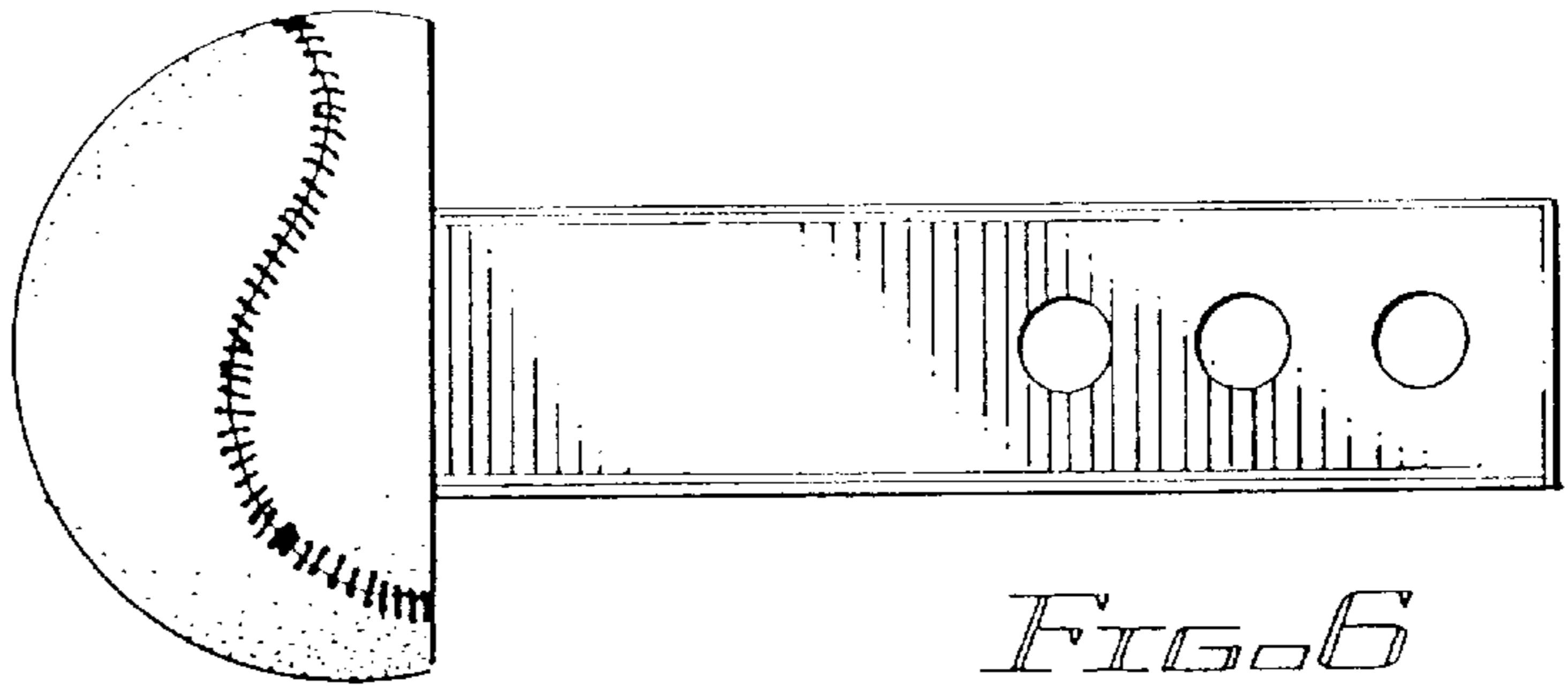


FIG. 6

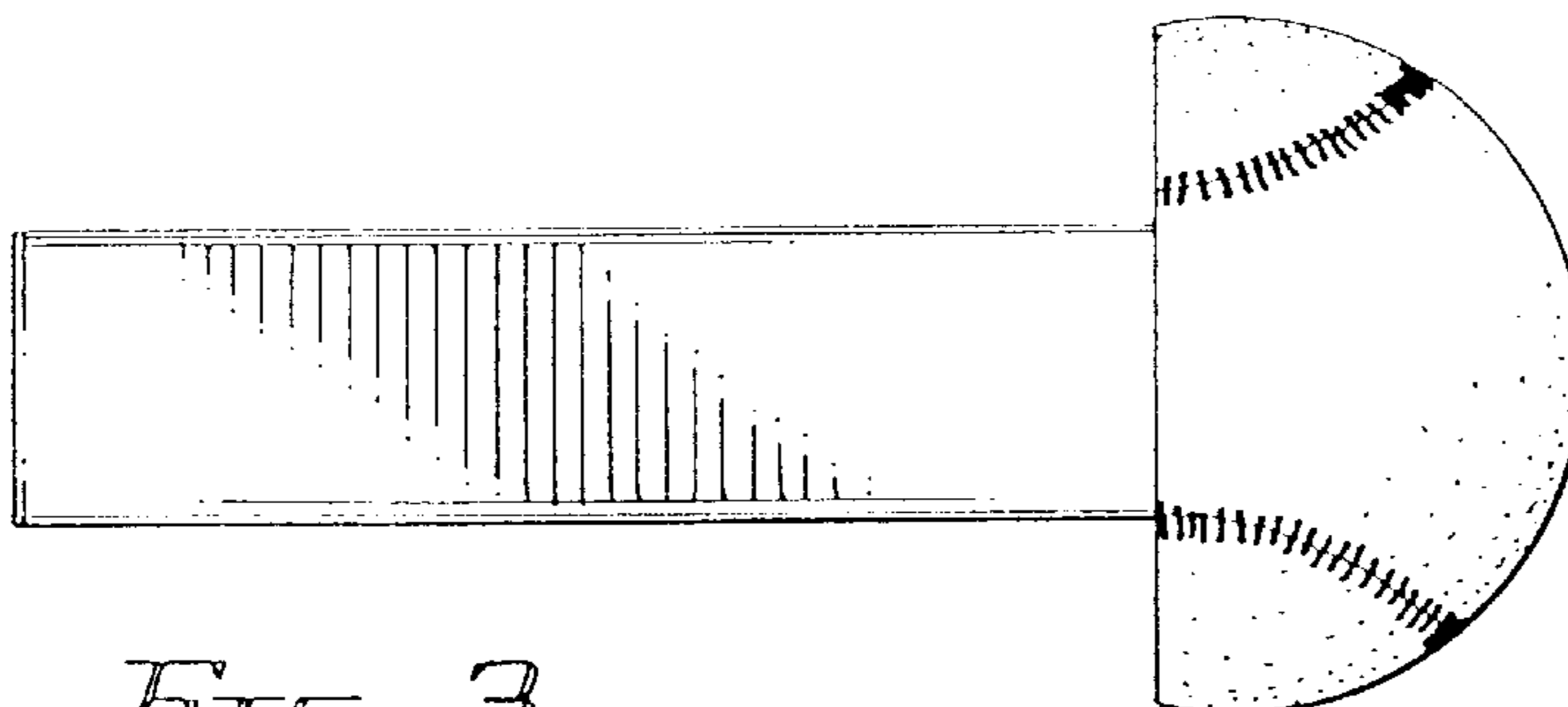


FIG. 3

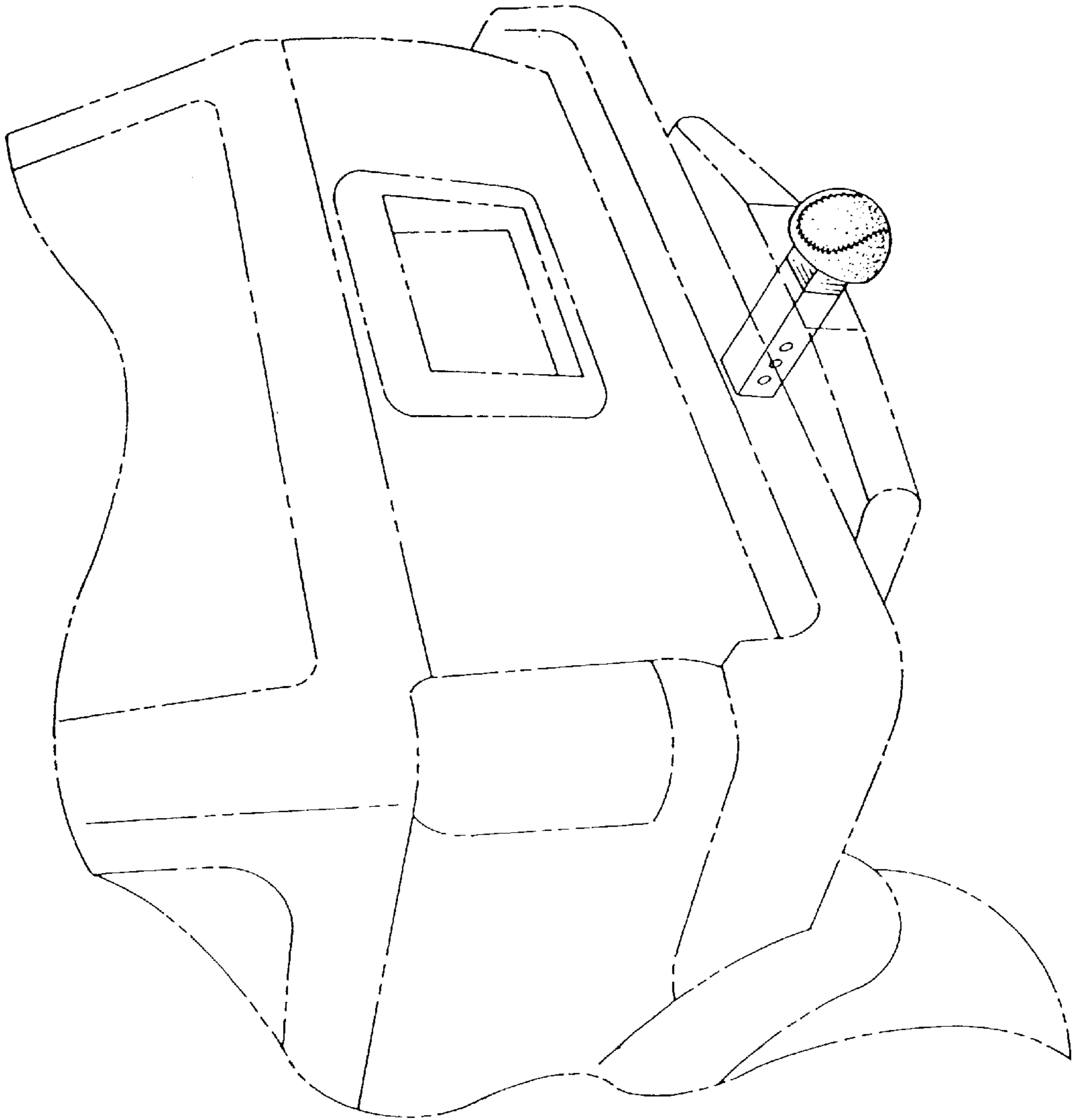


FIG. 7