



US00D404694S

United States Patent [19]
Himuro et al.

[11] **Patent Number: Des. 404,694**
[45] **Date of Patent: **Jan. 26, 1999**

[54] **TIRE TREAD**

[75] Inventors: **Yasuo Himuro**, Tackikawa, Japan;
John J. Regallis, Akron, Ohio; **David M. Reep**, Copley, Ohio; **Shawn L. Copeland**, Akron, Ohio; **Yukio Yamakawa**, Cuyahoga Falls, Ohio

[73] Assignee: **Bridgestone/Firestone, Inc.**, Akron, Ohio

[**] Term: **14 Years**

[21] Appl. No.: **80,897**

[22] Filed: **Dec. 17, 1997**

[51] **LOC (6) Cl.** **12-15**

[52] **U.S. Cl.** **D12/147**

[58] **Field of Search** D12/136, 138,
D12/140-143, 146-152; 152/209 R, 209 A,
209 D

[56] **References Cited**

U.S. PATENT DOCUMENTS

D. 322,236	12/1991	Maxwell et al.	D12/141
D. 340,895	11/1993	Himuro et al.	D12/147
D. 342,705	12/1993	Graas	D12/141
D. 349,675	8/1994	Shinohara et al.	D12/147
D. 360,856	8/1995	Himuro et al.	D12/146
D. 370,444	6/1996	Ochi et al.	D12/147
D. 379,338	5/1997	Guspodin et al.	D12/147
D. 383,425	9/1997	Himuro	D12/147
D. 387,711	12/1997	Shirai et al.	D12/147
D. 395,858	7/1998	Hanya	D12/147
5,423,364	6/1995	Himuro	152/209 R

FOREIGN PATENT DOCUMENTS

968412 8/1996 Japan .

OTHER PUBLICATIONS

Big O Legacy Tour Plus Tire, 1996 Tread Design Guide, p. 11, Feb. 1996.

Nokian NRH Tire, 1996 Tread Design Guide, p. 55, Feb. 1996.

Primary Examiner—Robert M. Spear
Attorney, Agent, or Firm—Carmen Santa Maria

[57] **CLAIM**

The ornamental design for a tire tread, as shown and described.

DESCRIPTION

FIG. 1 is a side perspective view of a tire tread showing our new design, it being understood that the tread pattern is repeated throughout the circumference of the tire tread, the opposite side being the same as that shown;

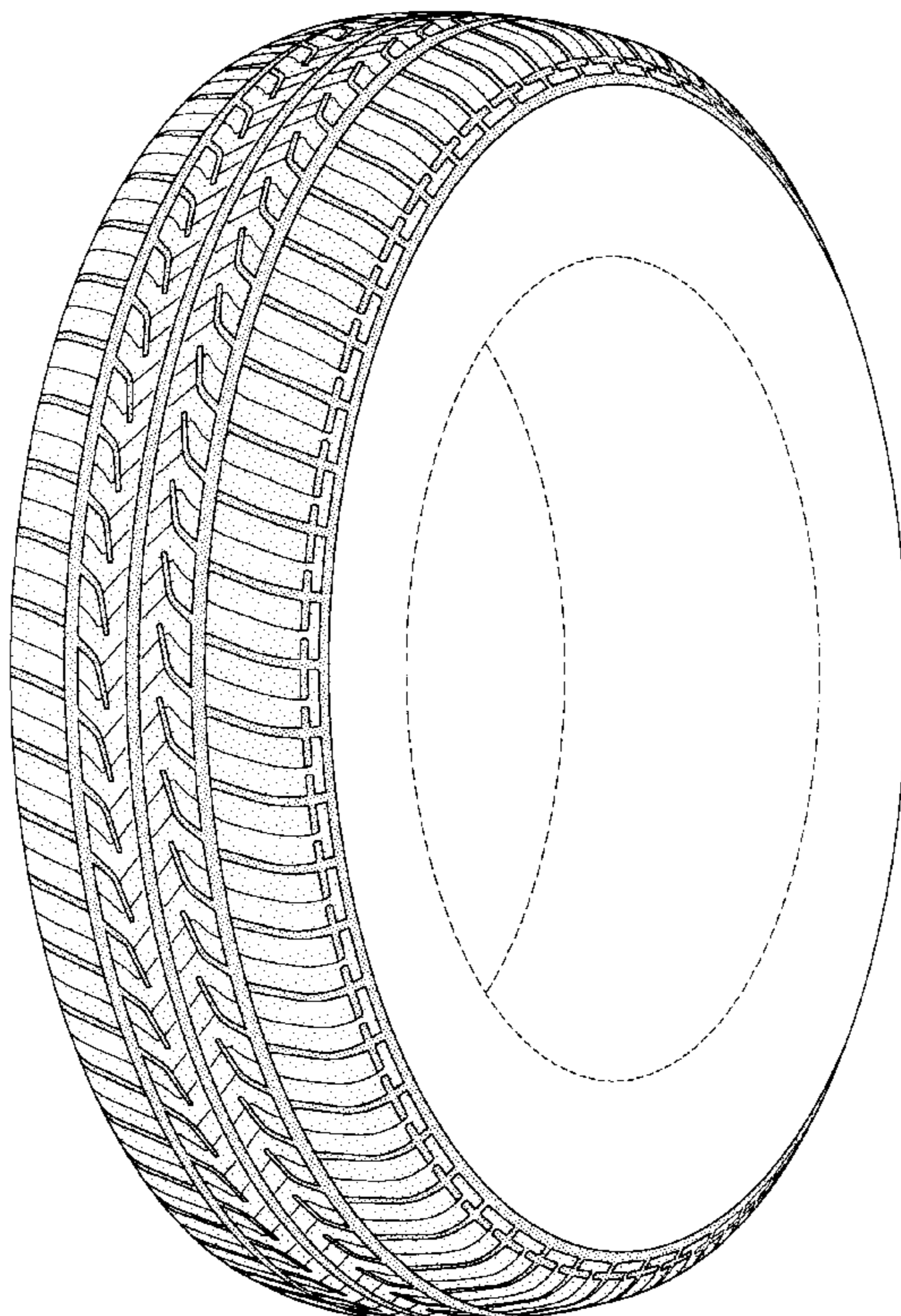
FIG. 2 is a front elevational view thereof;

FIG. 3 is a side elevational view of the right side thereof, the opposite side being identical thereto; and,

FIG. 4 is an enlarged fragmentary front elevational view thereof.

The dark stippled surface shading represents the recessed portion of the tread grooves, having a depth as best shown in FIG. 2; the broken lines defining the tire sidewall and inner bead are for illustrative purposes only and form no part of the claimed design.

1 Claim, 4 Drawing Sheets



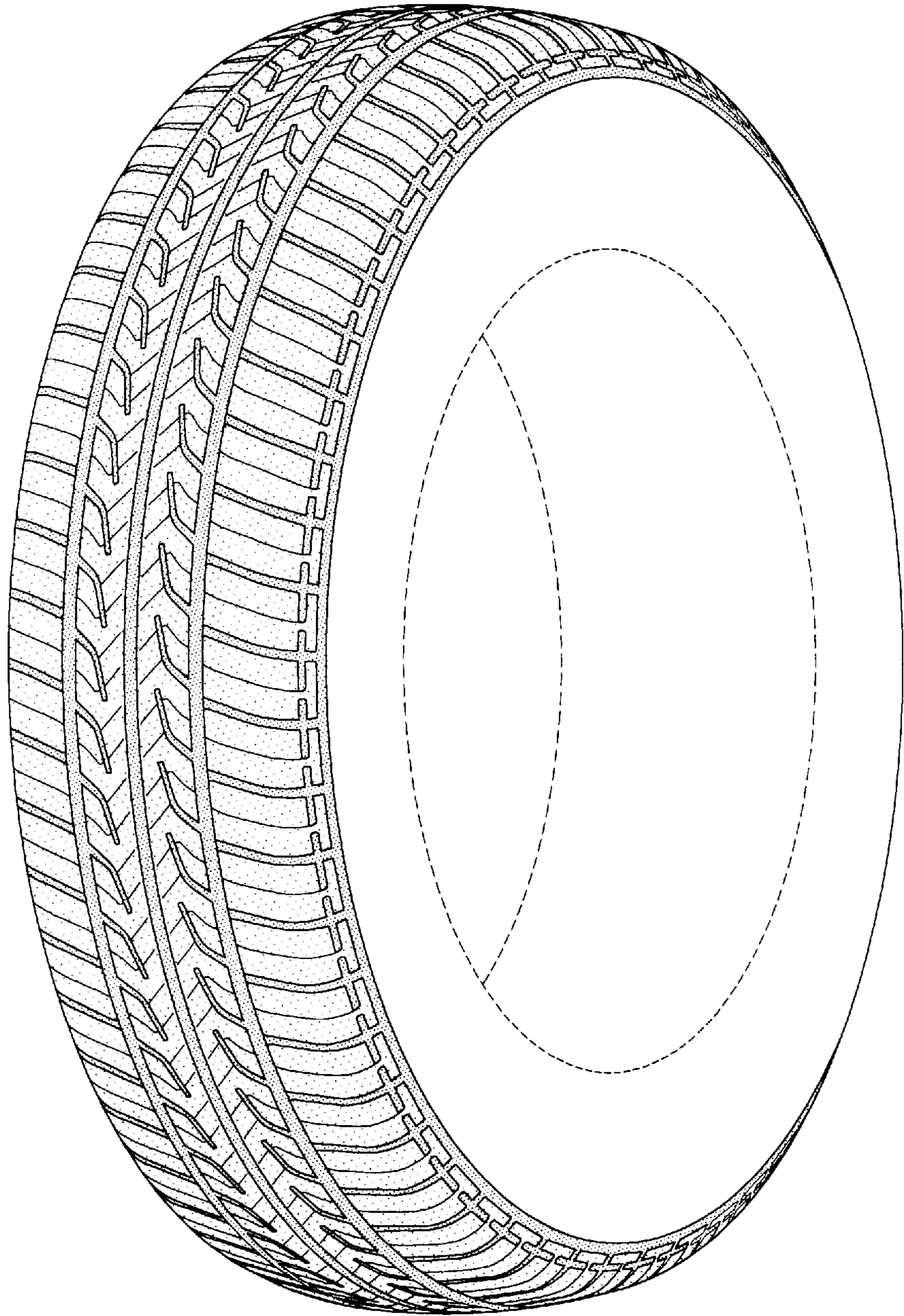


FIG-1

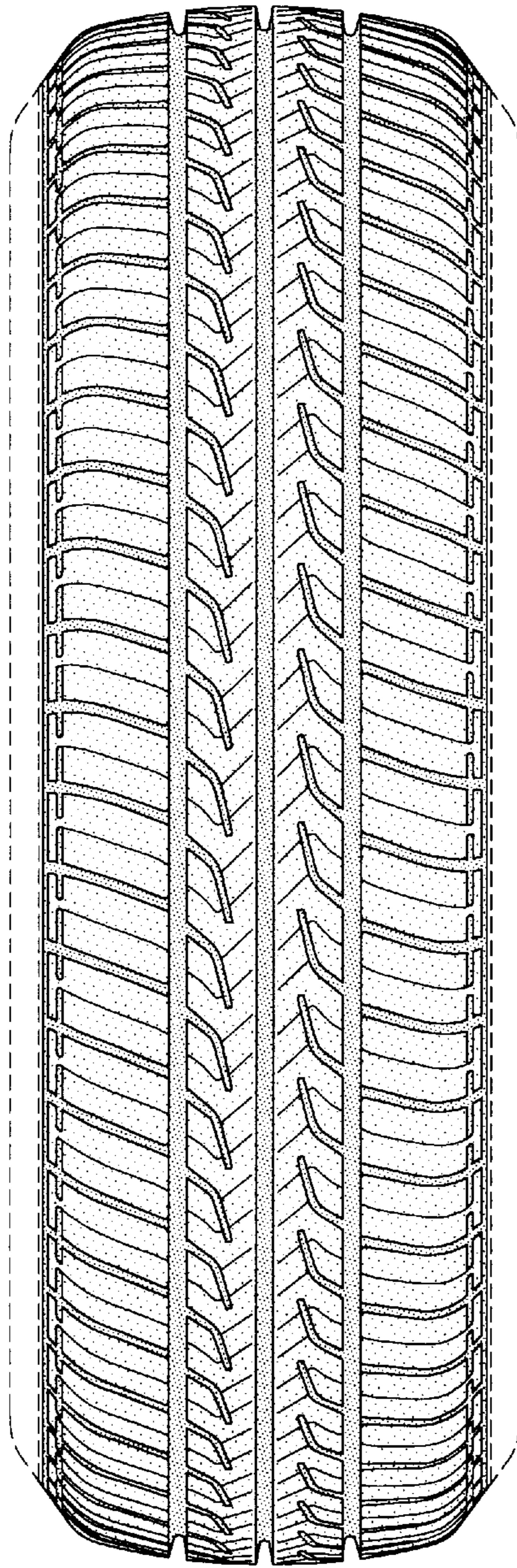


FIG-2

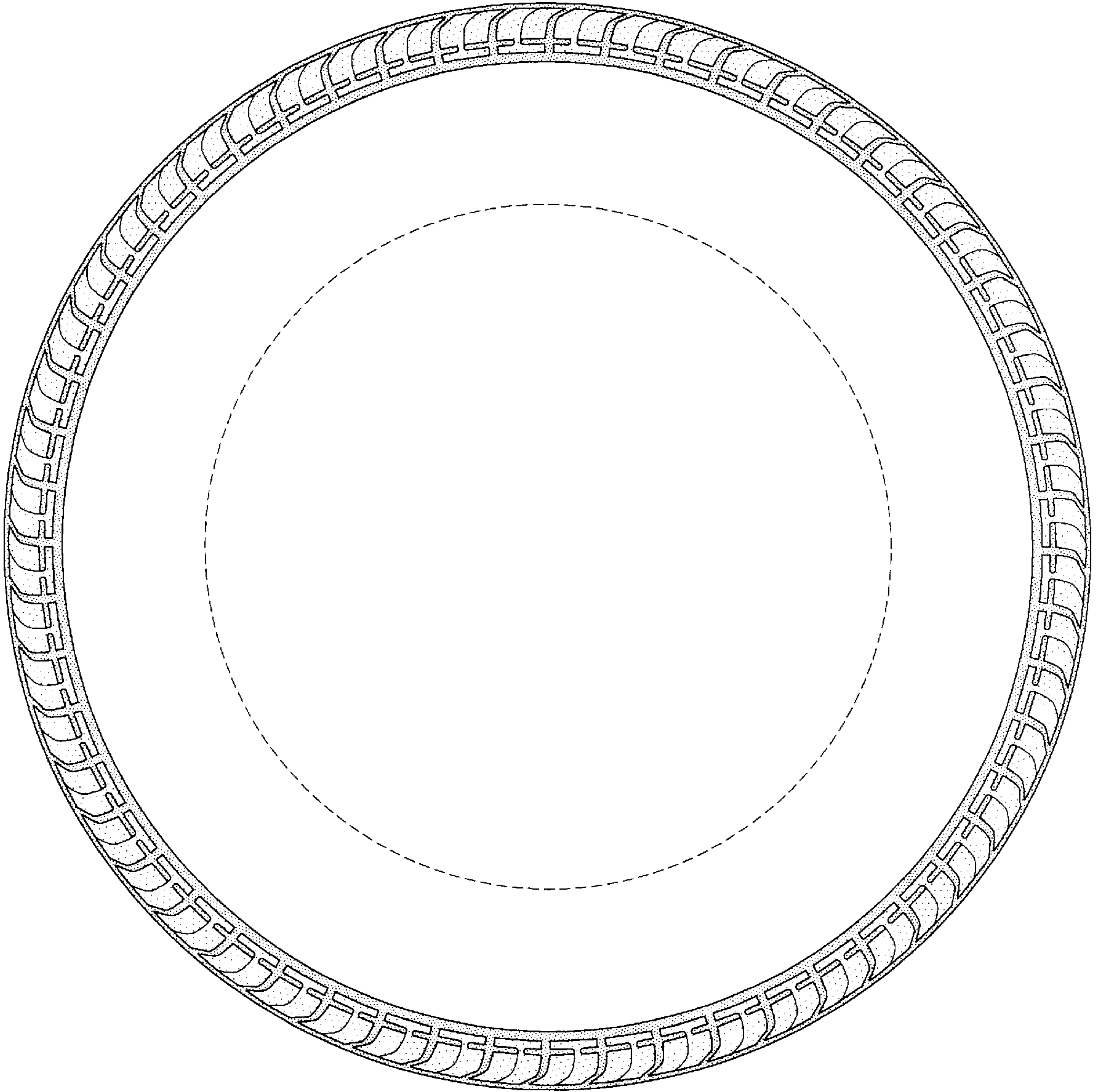


FIG-3

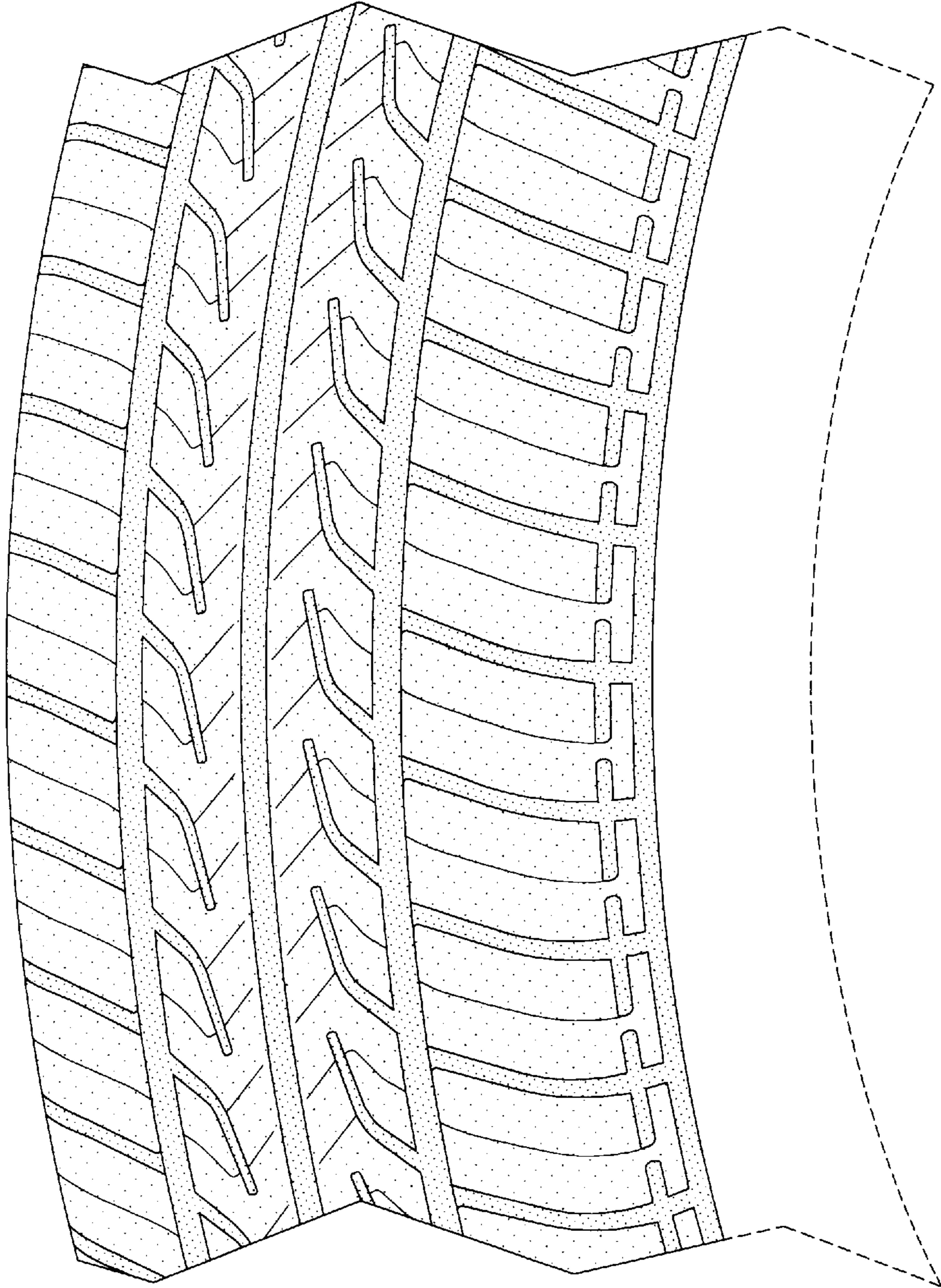


FIG-4