



US00D404693S

United States Patent [19]
Schaffner

[11] **Patent Number: Des. 404,693**

[45] **Date of Patent: **Jan. 26, 1999**

[54] **POWER WHEELCHAIR**

[75] Inventor: **Walter E. Schaffner**, Shavertown, Pa.

[73] Assignee: **Pride Health Care, Inc.**, Exeter, Pa.

[**] Term: **14 Years**

[21] Appl. No.: **67,721**

[22] Filed: **Jan. 31, 1997**

Related U.S. Application Data

[63] Continuation-in-part of Ser. No. 56,607, Jul. 3, 1996, and Ser. No. 748,214, Nov. 12, 1996.

[51] **LOC (6) Cl.** **12-12**

[52] **U.S. Cl.** **D12/131**

[58] **Field of Search** D12/128, 129,
D12/131; 180/65.1, 907, 908, 6.5, 208;
280/250.1, 304.1; 297/DIG. 4, 229, 376,
423.38

[56] **References Cited**

U.S. PATENT DOCUMENTS

- D. 305,521 1/1990 Wiatrak et al. .
- D. 357,653 4/1995 Kruse D12/131
- D. 365,786 1/1996 Peterson .
- D. 365,787 1/1996 Peterson et al. .
- D. 365,788 1/1996 Peterson .
- D. 380,991 7/1997 Deming D12/131
- 3,876,041 4/1975 Pivacek .
- 3,902,758 9/1975 Pivacek .
- 3,952,822 4/1976 Udden et al. .
- 3,953,054 4/1976 Udden et al. .
- 4,082,348 4/1978 Haury .
- 4,387,325 6/1983 Klimo .
- 4,424,873 1/1984 Terlaak .
- 4,500,102 2/1985 Haury .
- 4,511,825 4/1985 Klimo .
- 4,513,832 4/1985 Engman .
- 4,538,857 9/1985 Engman .
- 4,555,121 11/1985 Lockard et al. .

(List continued on next page.)

OTHER PUBLICATIONS

8 page brochure entitled "Permobil Power Chairman Empowering the Human Spirit".

16 page brochure entitled "Bodypoint Designs Winter Catalog 1995-1996" Copyright 1995.

4 page brochure entitled "Orthofab V.I.P. Mobility for Everyone".

4 page brochure entitled "Permobil for Kids".

6 page brochure entitled "Quickie Power Products".

8 page brochure entitled "Ligtvoet Products—Ligtvoet Modern Design".

19 page brochure entitled "Meyra".

8 page brochure entitled "Meyra Power Primus, Power Picco, Die Elektrischen Aktiven".

8 page brochure entitled "Meyra Gin'US Modell 1.592 Sprint Von Meyra, Meyra Optimus, Sonderbedieneinheiten".

2 sided flyer entitled "Puma Booster".

2 sided flyer entitled "The Mangar Freestyle".

6 page brochure entitled "Action Power Cruiser 4E".

4 page brochure entitled "Aldersley Excell—The first of its kind!".

(List continued on next page.)

Primary Examiner—Kay H. Chin

[57] **CLAIM**

The ornamental design for a power wheelchair, as shown and described.

DESCRIPTION

FIG. 1 is a right side elevational view of a power wheelchair showing my new design, the broken lines are for illustrative purposes only;

FIG. 2 is a left side elevational view thereof;

FIG. 3 is a front elevational view thereof;

FIG. 4 is a rear elevational view thereof;

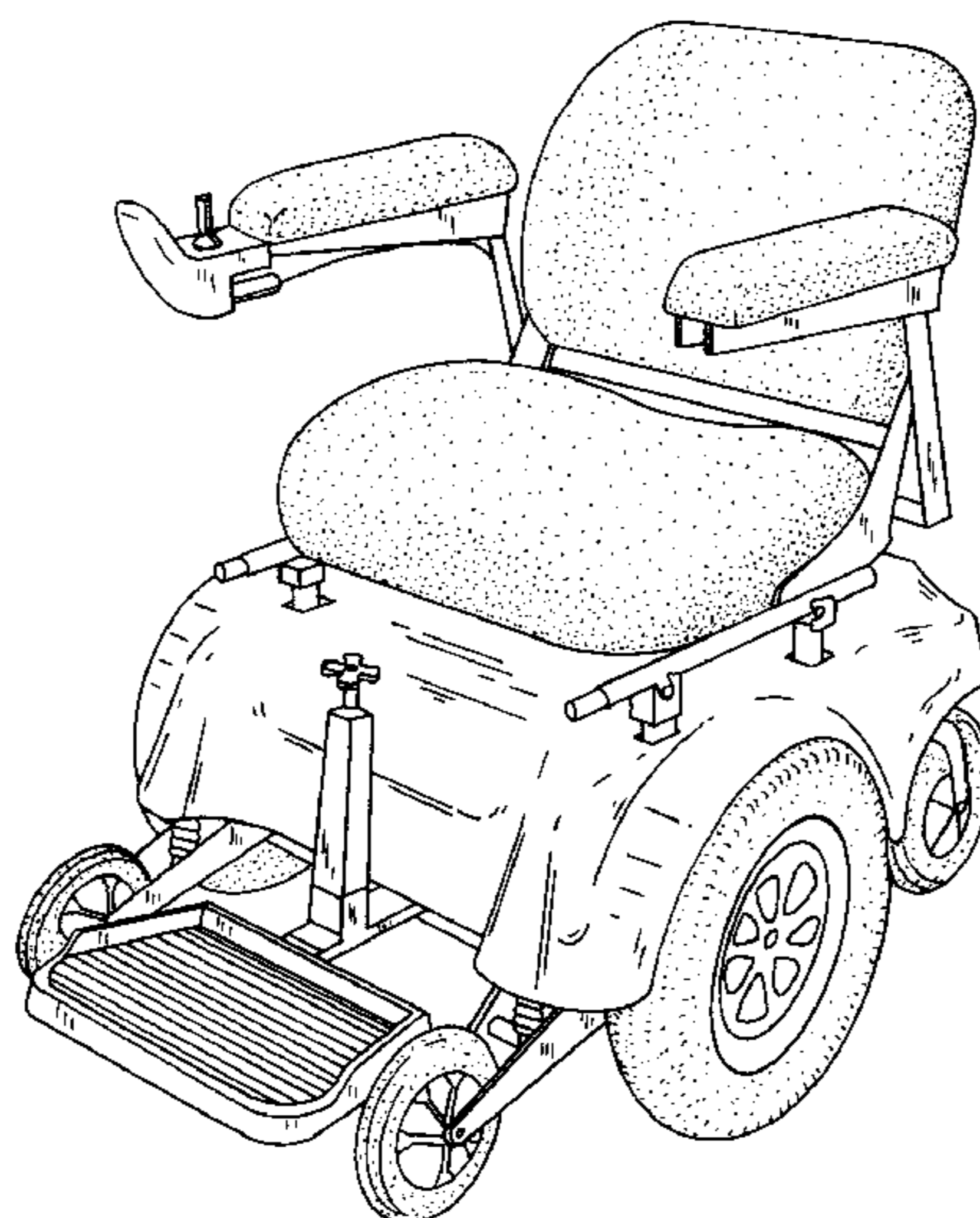
FIG. 5 is a top plan view thereof;

FIG. 6 is a bottom plan view thereof;

FIG. 7 is a front perspective view thereof; and,

FIG. 8 is a left side perspective view thereof.

1 Claim, 4 Drawing Sheets



U.S. PATENT DOCUMENTS

4,595,212 6/1986 Haury et al. .
4,634,941 1/1987 Klimo .
4,721,321 1/1988 Haury et al. .
4,805,925 2/1989 Haurey et al. .
4,813,693 3/1989 Lockard et al. .
4,840,390 6/1989 Lockard et al. .
4,887,830 12/1989 Fought et al. .
4,981,305 1/1991 Lockard et al. .
4,989,890 2/1991 Lockard et al. .
5,033,793 7/1991 Quintile .
5,094,310 3/1992 Richey et al. .
5,121,938 6/1992 Gross et al. .
5,145,020 9/1992 Quintile et al. .
5,154,251 10/1992 Fought .
5,170,826 12/1992 Carstensen et al. .
5,195,803 3/1993 Quintile .
5,203,610 4/1993 Miller .
5,263,728 11/1993 Patel et al. .
5,294,141 3/1994 Mentessi et al. .
5,366,037 11/1994 Richey .
5,378,045 1/1995 Siekman et al. .
5,442,823 8/1995 Siekman et al. .

OTHER PUBLICATIONS

6 page price list entitled "Are You Looking for a New Electric Wheelchair?" by Battery Chairs Limited, 24/26 Old Meeting Road, Coseley, West Midlands WV14 8HB, United Kingdom.

2 page flyer entitled "Little Dipper".

2 page flyer entitled "Boing! Colours by Permobil".

2 page flyer entitled "Eclipse Colours 'N Motion!".

2 page flyer entitled "Impact Colours 'N Motion!".

2 page "OrderForm" entitled Colours by Permobil for The Avenger.

2 page "OrderForm" entitled Colours by Permobil for The Boing!.

2 page "OrderForm" entitled Colours by Permobil for The Supernova Xtreme.

2 page "OrderForm" entitled Colours by Permobil for The Eclipse.

2 page "OrderForm" entitled Colours by Permobil for The G-Force.

2 page "OrderForm" entitled Colours by Permobil for The Impact.

2 page "OrderForm" entitled Colours by Permobil for The Little Dipper.

5 page brochure entitled "LaBac Introduces it's Tilt, ASB, and RSR on the Quickie P300 with 20" Wheels".

8 page order form entitled "Kid-Kart Cares About Kids".

2 page flyer entitled "Hoveround Personal Mobility Vehicles".

2 page flyer entitled "Chairman MPS Permobil Multi Position System".

2 page Permobil order form entitled "Chair.Man Mini Flex".

2 page Permobil order form entitled "Chair.Man Stander".

2 page Permobil order form entitled "Chair.Man MPS".

2 page Permobil order form entitled "Chair.Man Corpus".

2 page Permobil order form entitled "Chair.Man Robo".

2 page Permobil order form entitled "Chair.Man Mini Stander".

1 page announcement entitled "Thank You for Your Interest in Permobil's Power Mobility Products!".

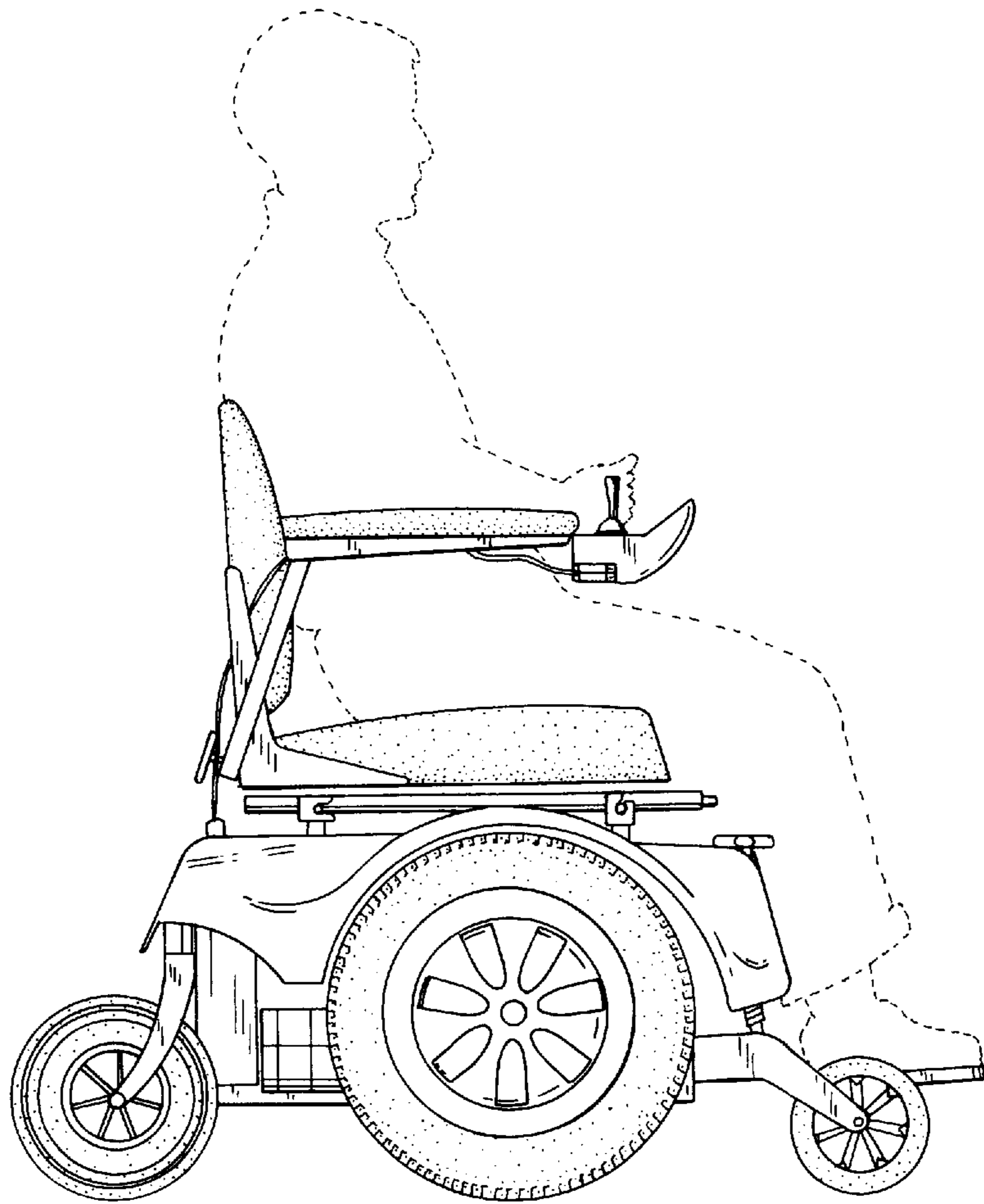


FIG. 1

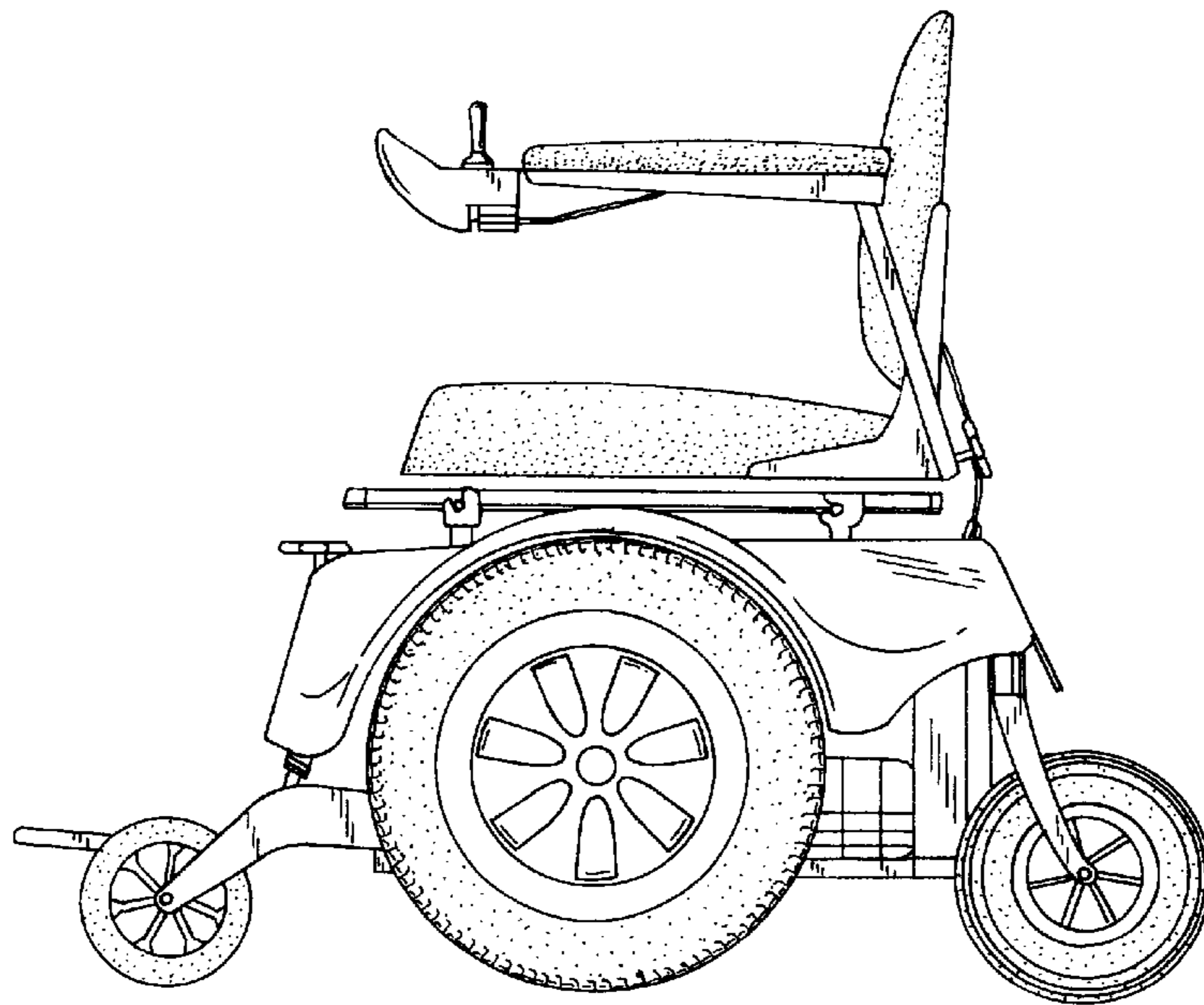


FIG. 2

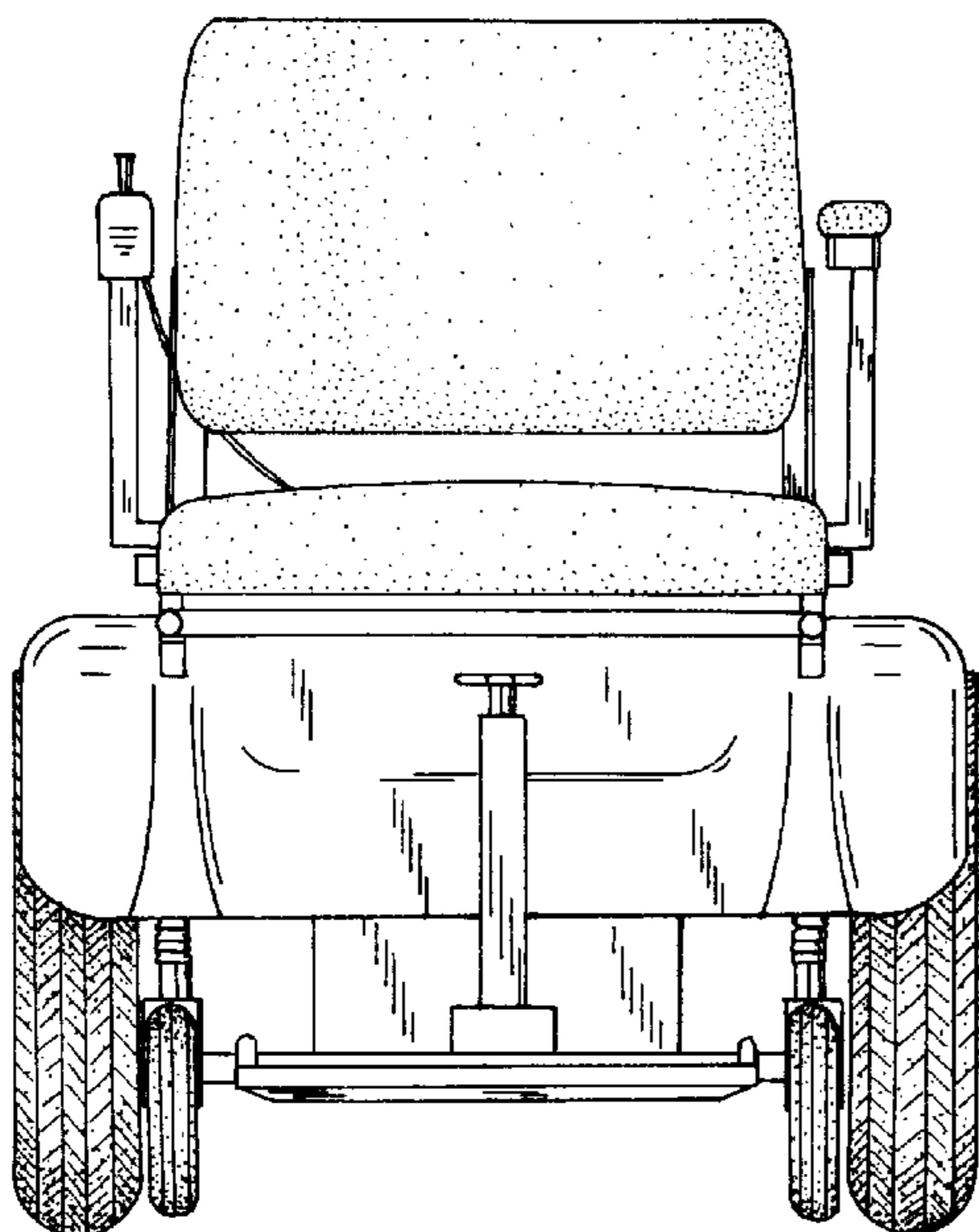


FIG. 3

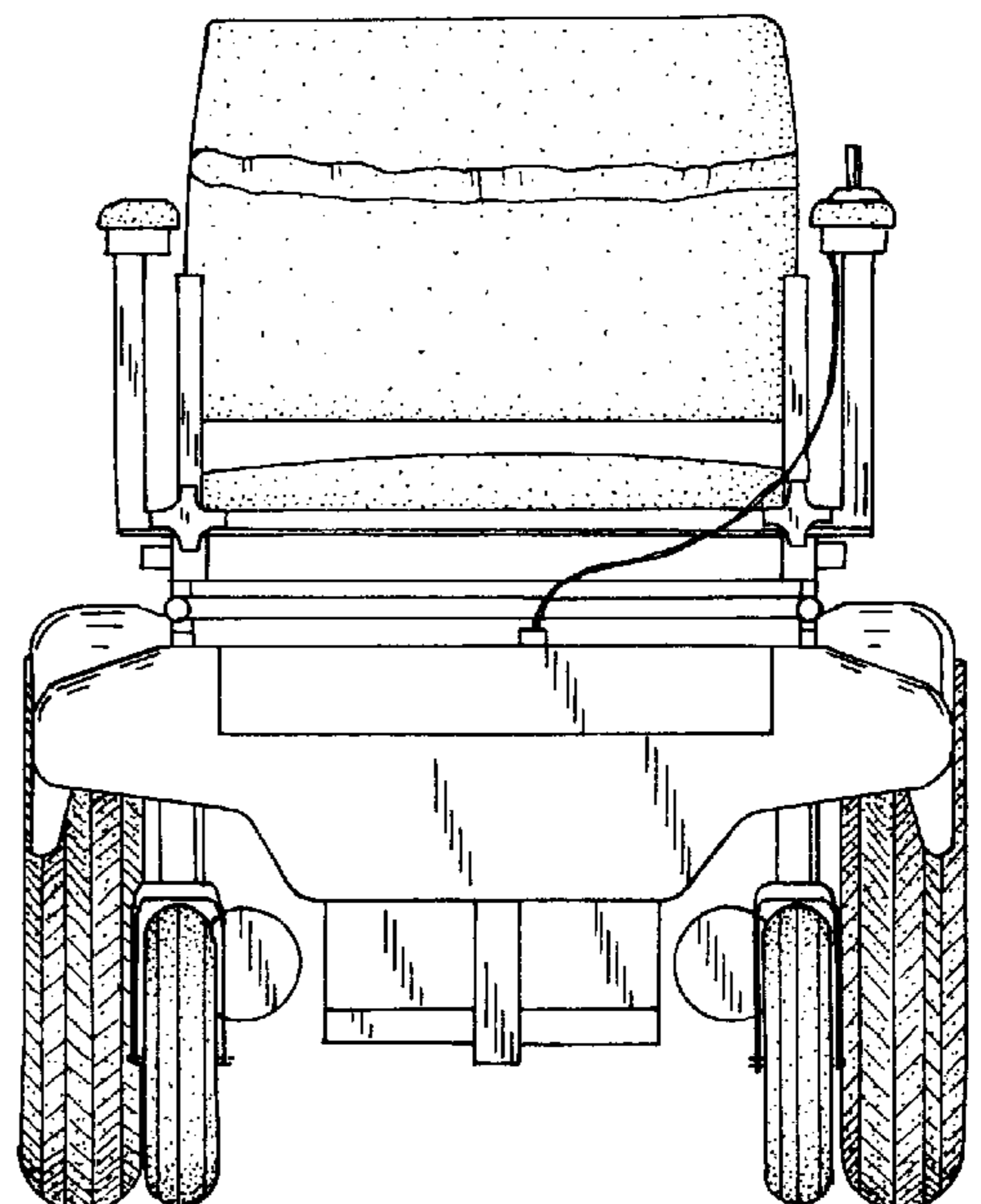


FIG. 4

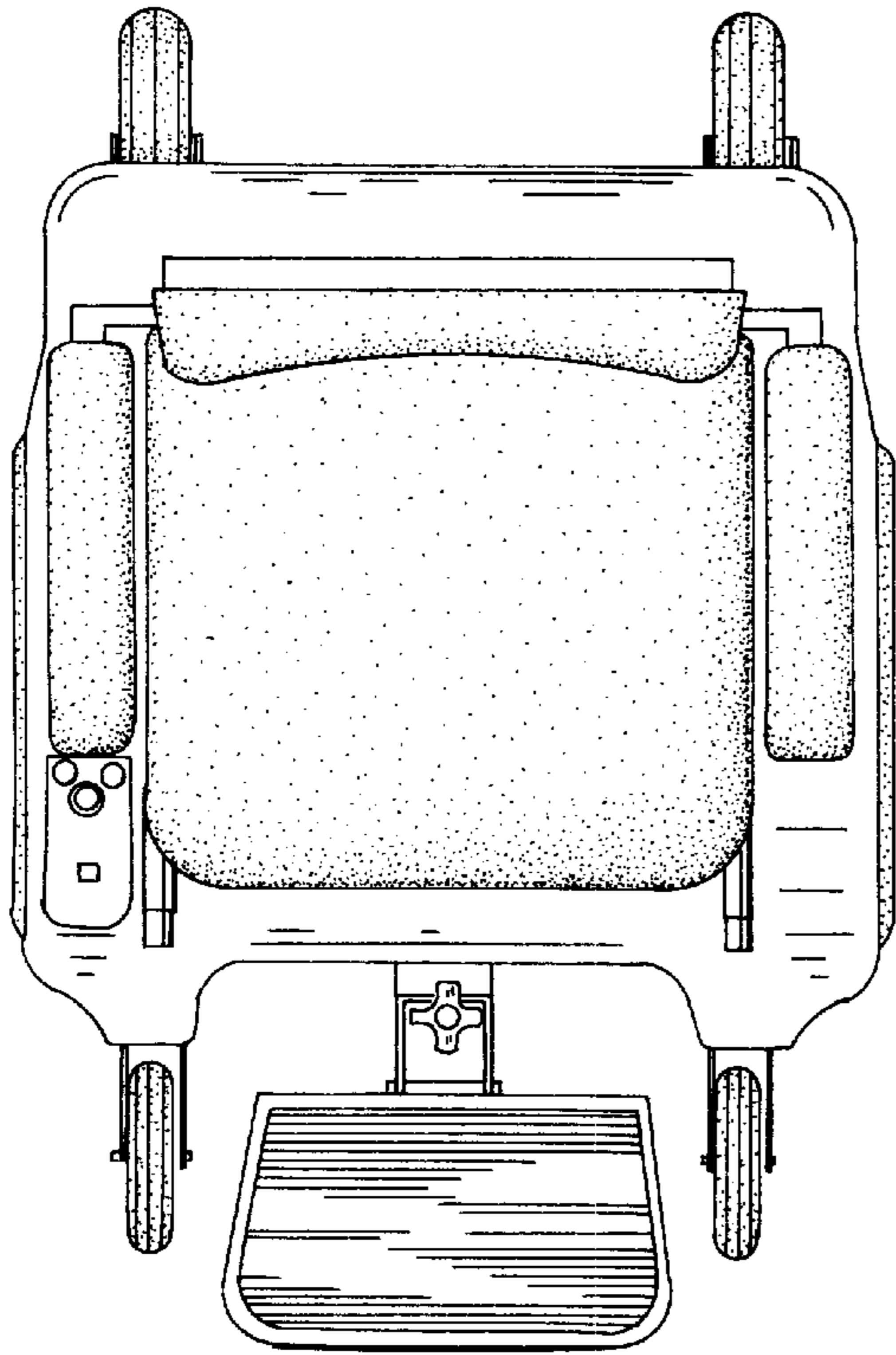


FIG. 5

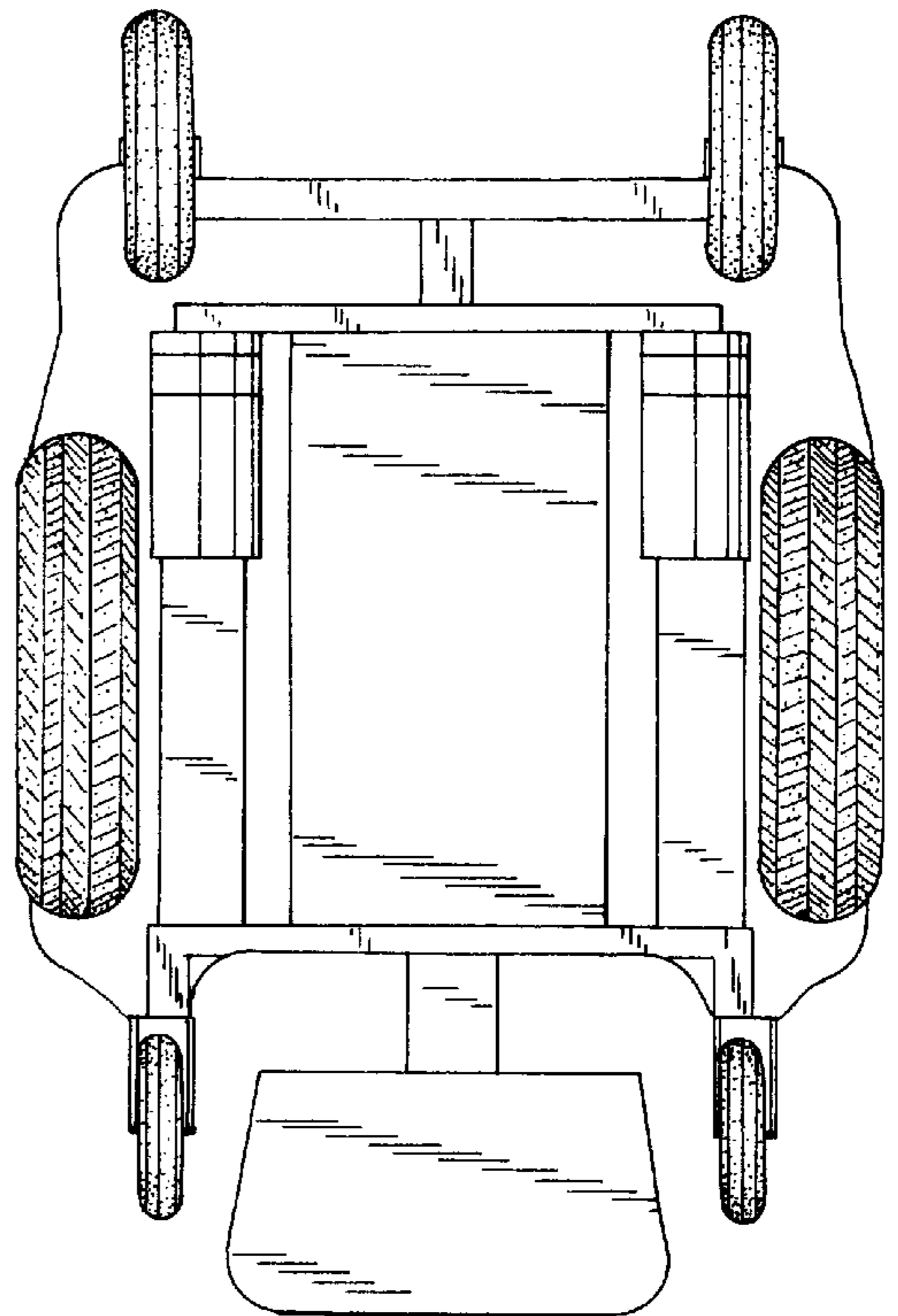


FIG. 6

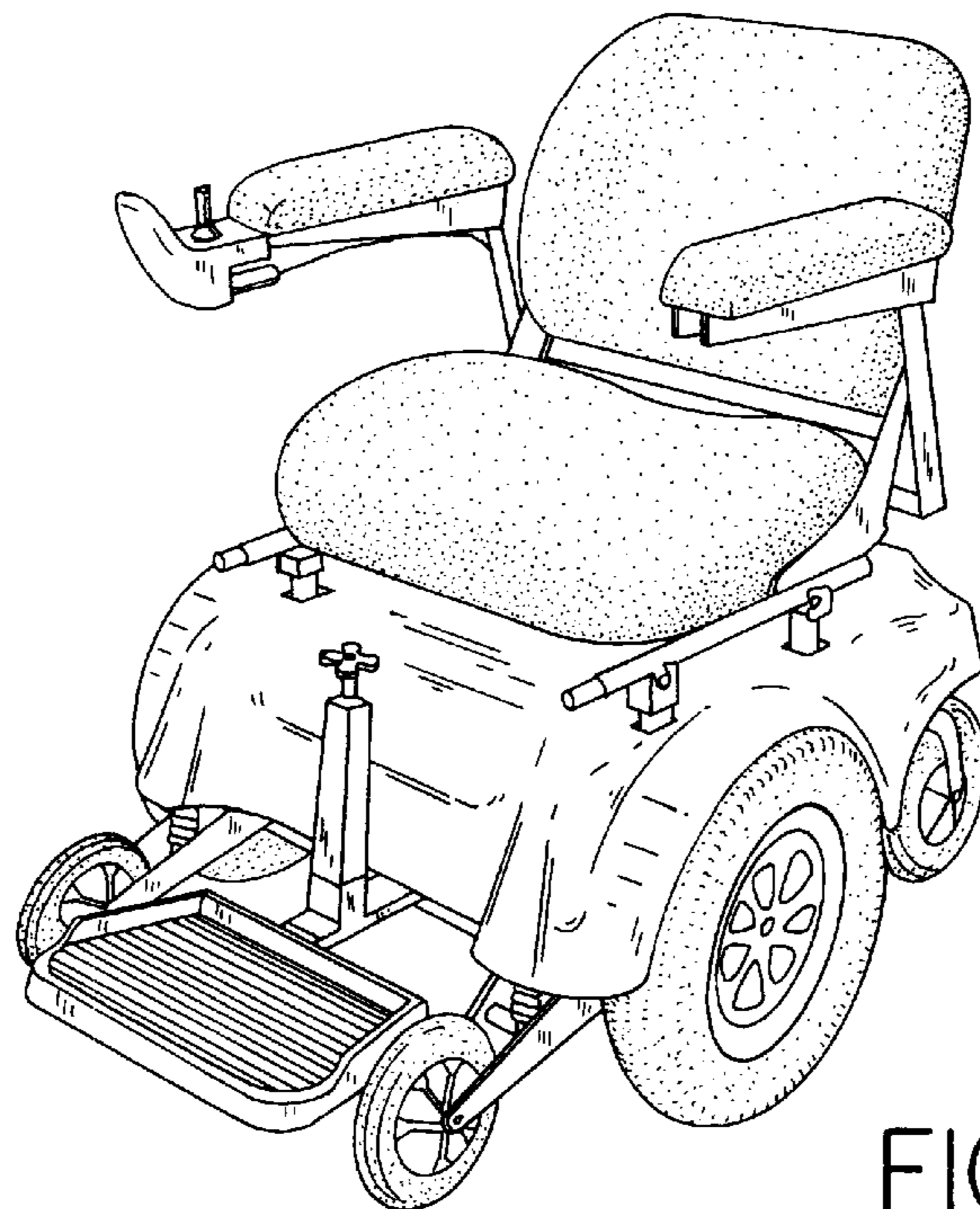


FIG. 7



FIG. 8