



US00D404673S

**United States Patent** [19]  
**Gordon et al.**

[11] **Patent Number: Des. 404,673**

[45] **Date of Patent: \*\*Jan. 26, 1999**

[54] **DOORBELL BUTTON**

[76] Inventors: **Tom Gordon**, 7162 NE. Winfred St.,  
Suquamish, Wash. 98392; **Theodore  
Pierson**, 8131 31st Ave. SW., Seattle,  
Wash. 98126

[\*\*] Term: **14 Years**

[21] Appl. No.: **87,338**

[22] Filed: **Apr. 30, 1998**

[51] **LOC (6) Cl.** ..... **10-05**

[52] **U.S. Cl.** ..... **D10/118**

[58] **Field of Search** ..... D10/104, 116,  
D10/118, 120, 121; 340/384.1, 384.3, 384.4,  
384.5, 384.6, 384.7

[56] **References Cited**

**U.S. PATENT DOCUMENTS**

D. 172,021 4/1954 Grohsgal ..... D10/118

D. 172,092 5/1954 Grohsgal ..... D10/118  
D. 174,792 5/1955 Bishop ..... D10/118  
D. 392,576 3/1998 Pun ..... D10/118  
2,573,924 11/1951 Miller ..... D10/118

*Primary Examiner*—Marcus A. Jackson

[57] **CLAIM**

The ornamental design for a doorbell button, as shown and described.

**DESCRIPTION**

FIG. 1 is a sectional view of a doorbell button showing our new design, along line 1—1 of FIG. 2;

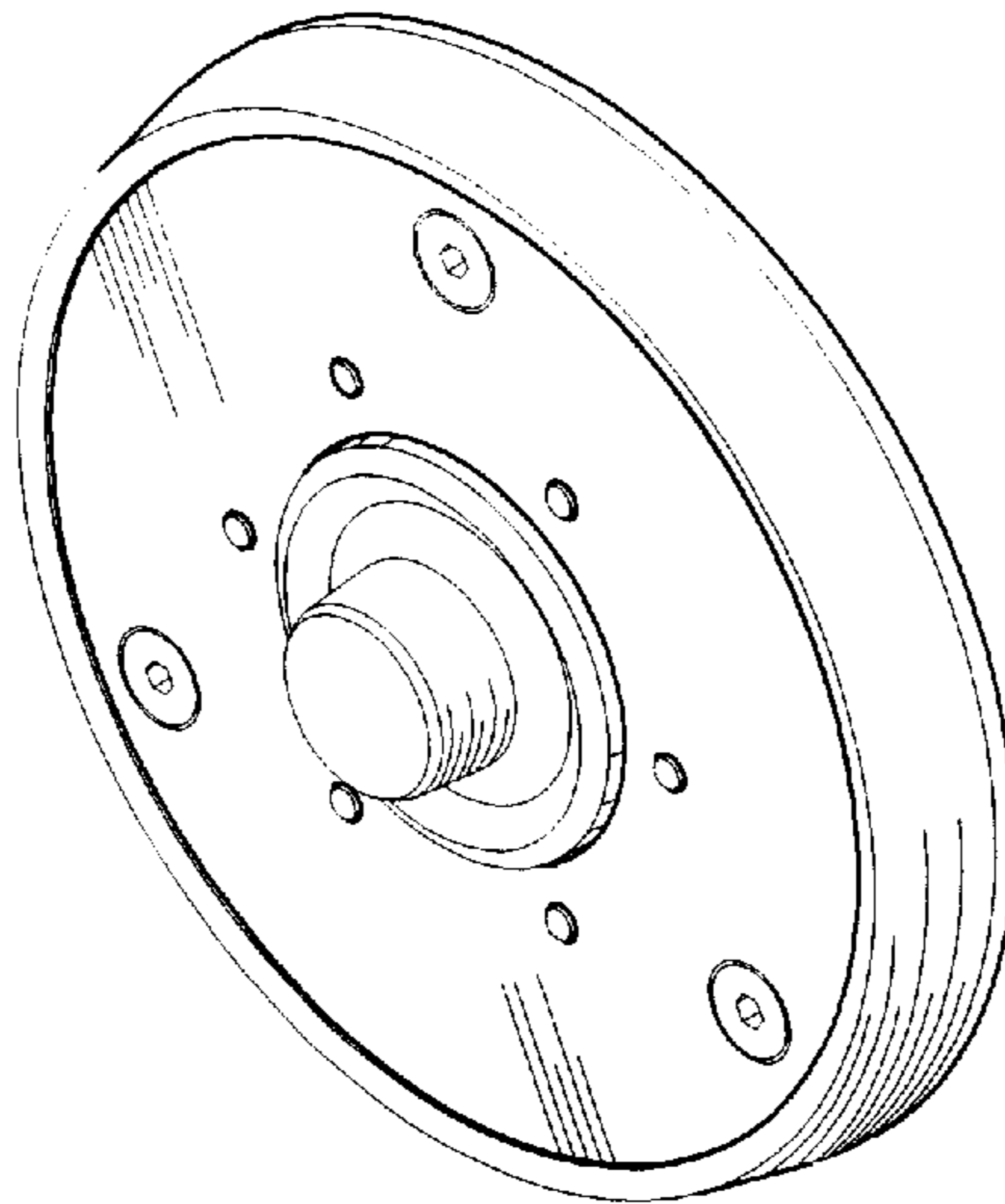
FIG. 2 is a front view;

FIG. 3 is a right side elevational view thereof, with the opposite side being a mirror image;

FIG. 4 is a rear view; and,

FIG. 5 is a perspective view.

**1 Claim, 1 Drawing Sheet**



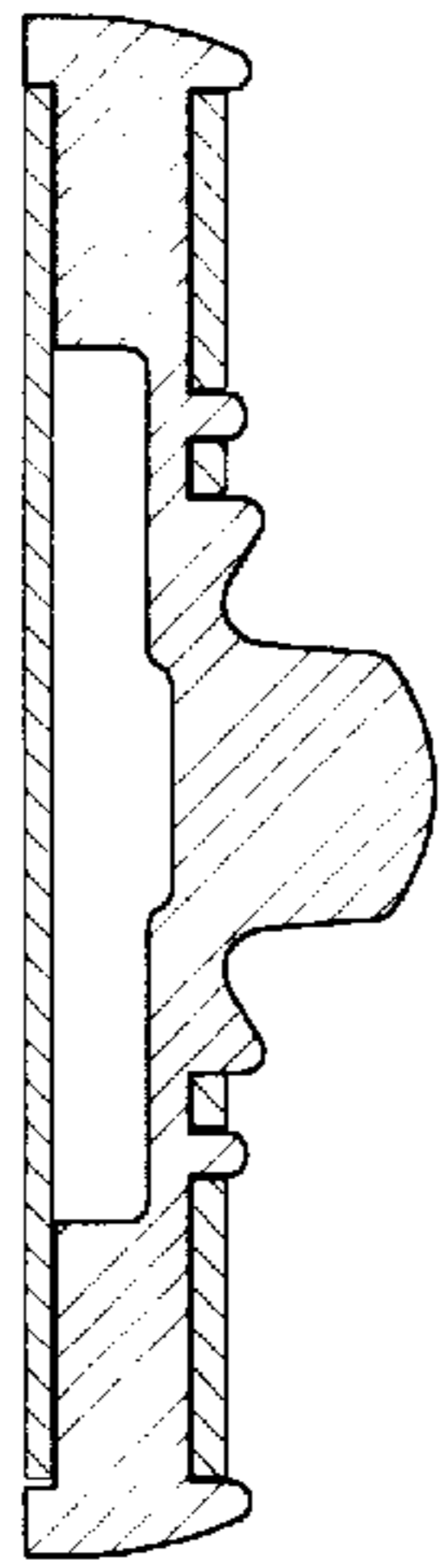


Fig. 1

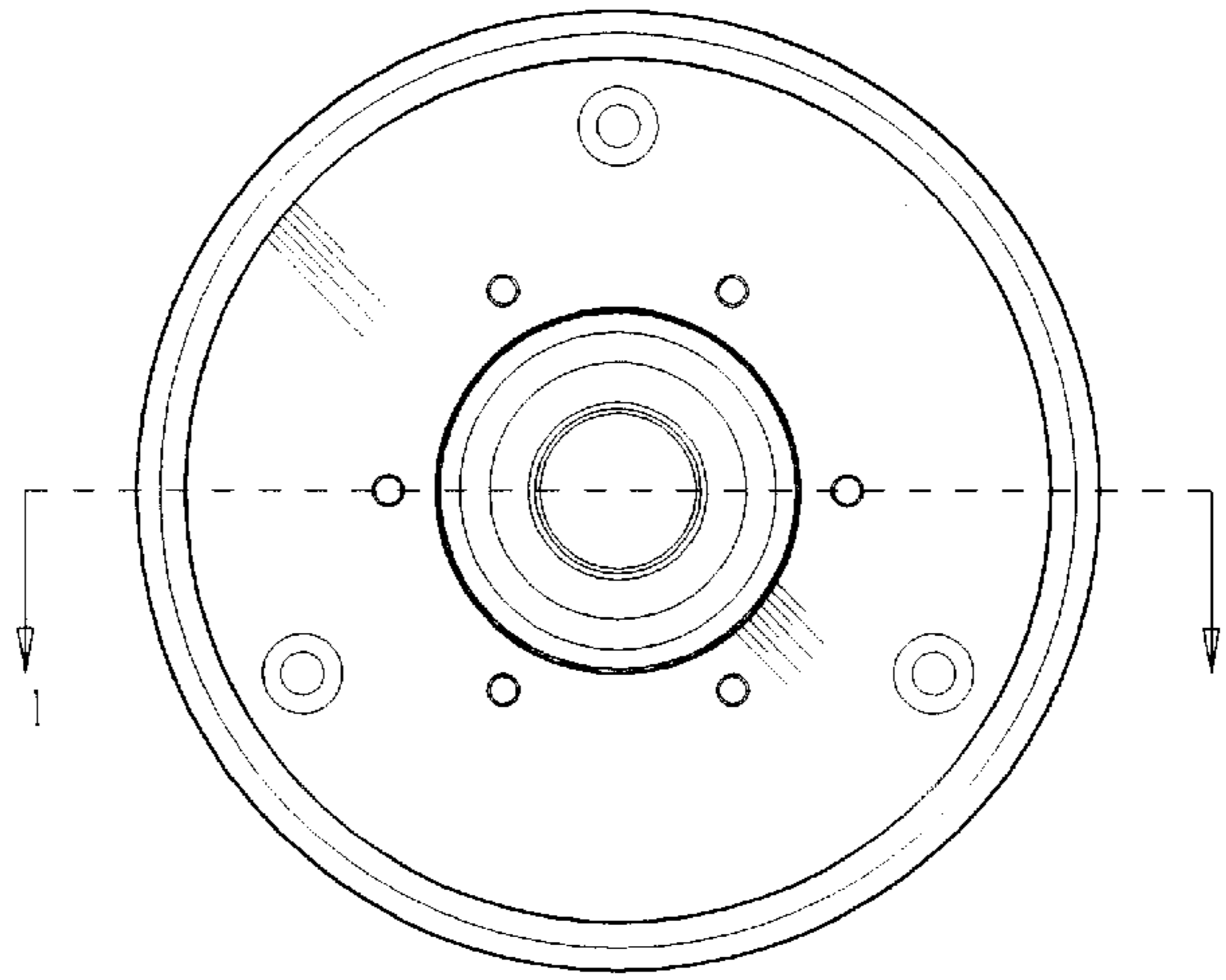


Fig. 2

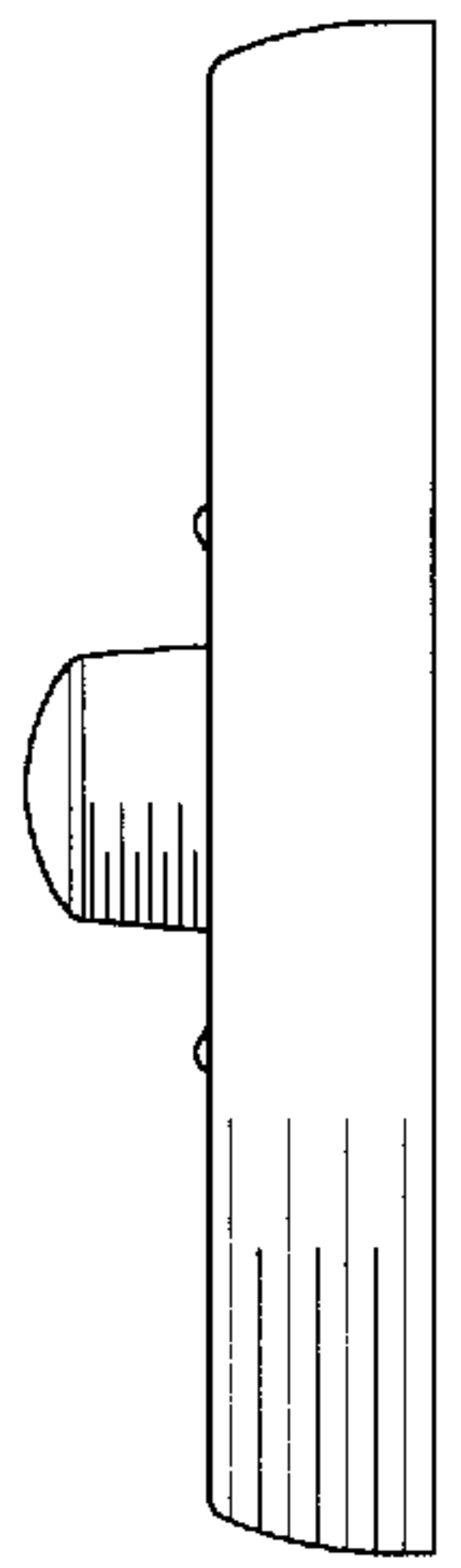


Fig. 3

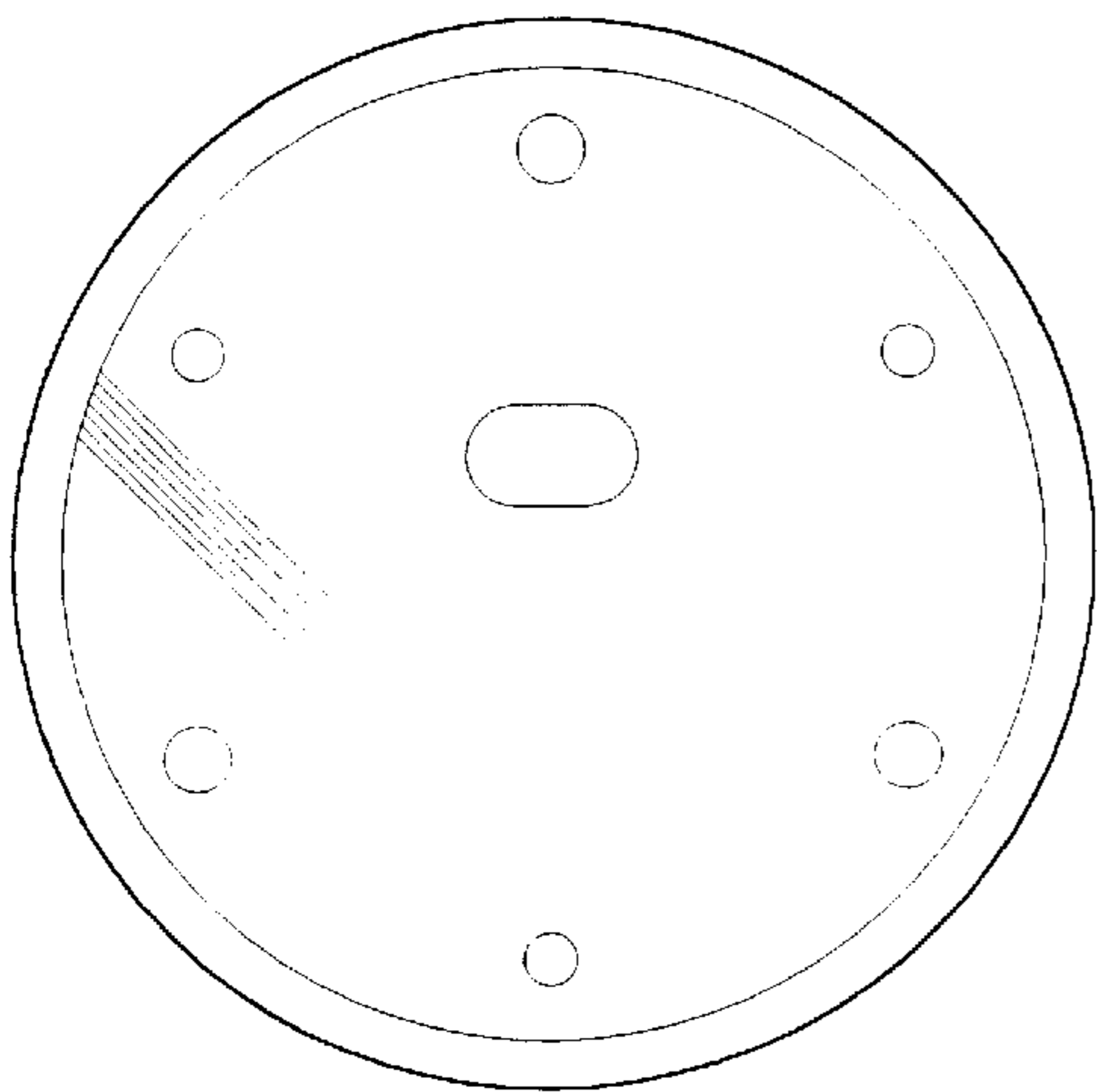


Fig. 4

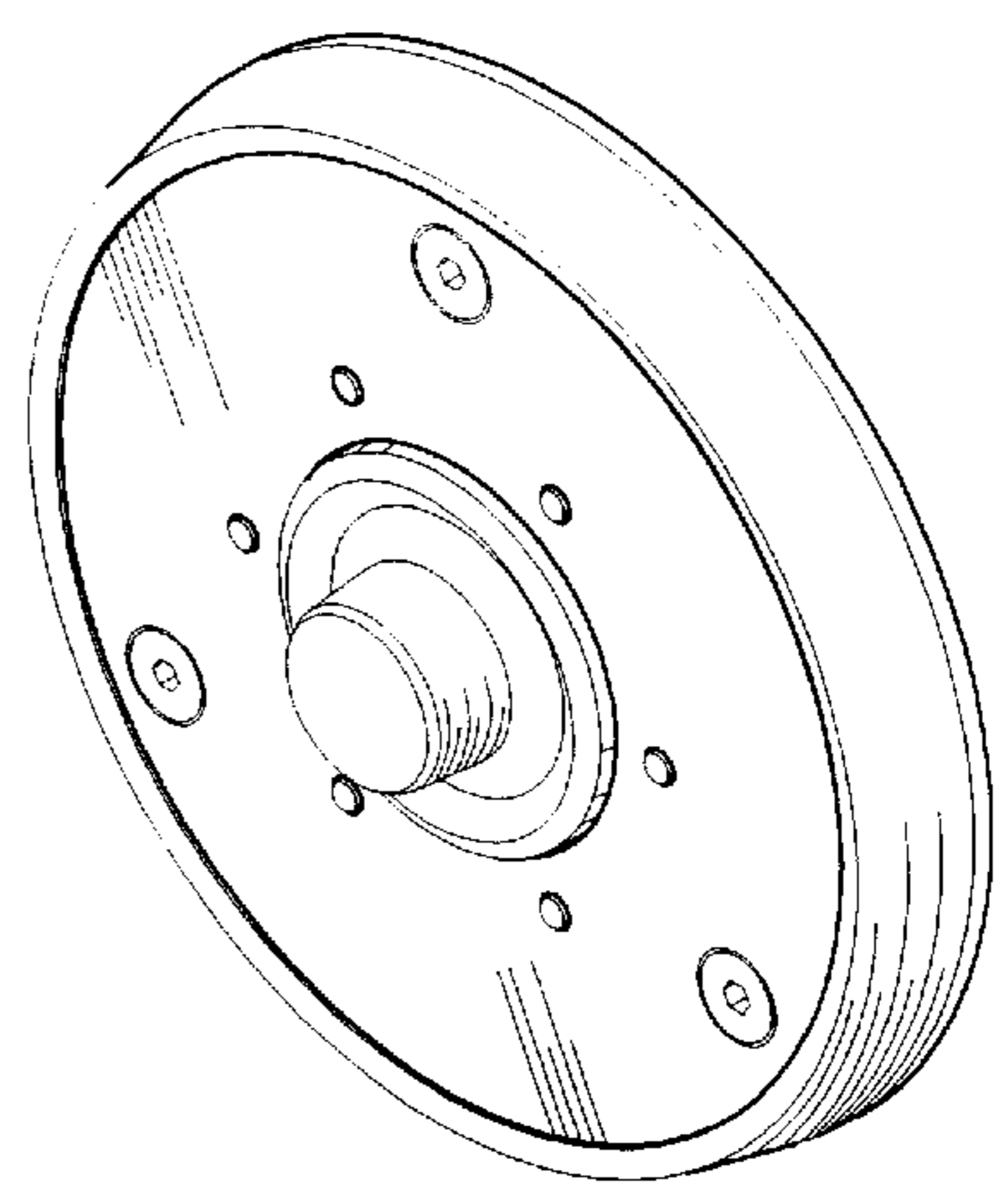


Fig. 5