



US00D404671S

United States Patent [19]
Stannard

[11] **Patent Number: Des. 404,671**

[45] **Date of Patent: **Jan. 26, 1999**

[54] **WINDCHIME**

[76] Inventor: **John W. Stannard**, 611 Commerce Dr.,
Largo, Fla. 33770

[**] Term: **14 Years**

[21] Appl. No.: **87,028**

[22] Filed: **Apr. 24, 1998**

[51] **LOC (6) Cl.** **10-05**

[52] **U.S. Cl.** **D10/116; D11/141**

[58] **Field of Search** D10/116, 118,
D10/121; D11/141; D17/99; 116/148, 150,
155, 156

[56] **References Cited**

U.S. PATENT DOCUMENTS

D. 324,000 2/1992 Kuistad D10/116

D. 373,547 9/1996 Stratford D10/116
5,452,638 9/1995 Yancy D10/116
5,648,624 7/1997 Smith D10/116

Primary Examiner—Marcus A. Jackson
Attorney, Agent, or Firm—Dennis G. LaPointe

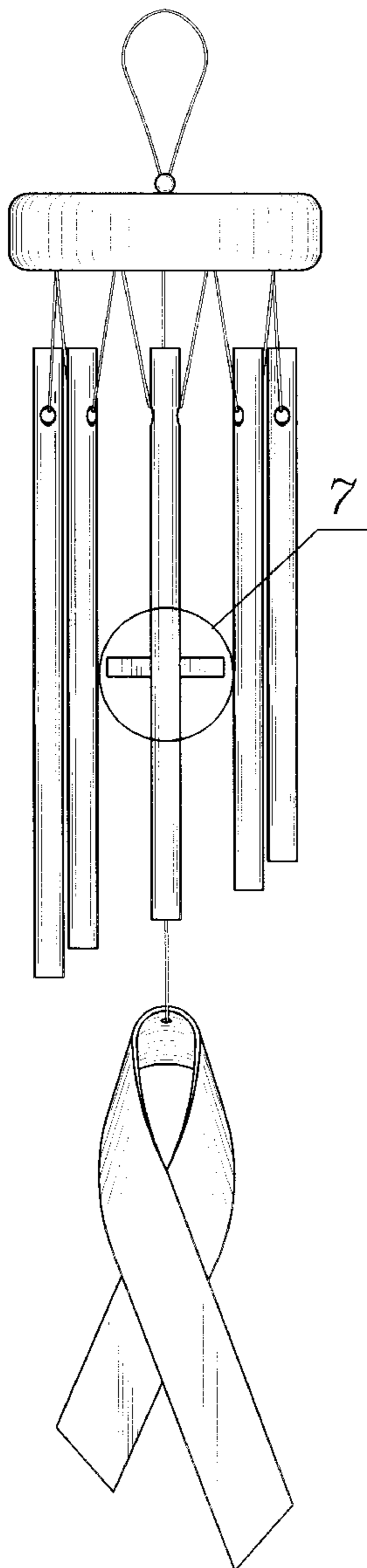
[57] **CLAIM**

I claim the ornamental design for windchime, as shown.

DESCRIPTION

FIG. 1 is a front elevational view of the design;
FIG. 2 is a rear elevational view thereof;
FIG. 3 is a left side elevational view thereof;
FIG. 4 is a right side elevational view thereof;
FIG. 5 is a top plan view thereof;
FIG. 6 is a bottom plan view thereof; and,
FIG. 7 is a perspective view of the striker in the design.

1 Claim, 3 Drawing Sheets



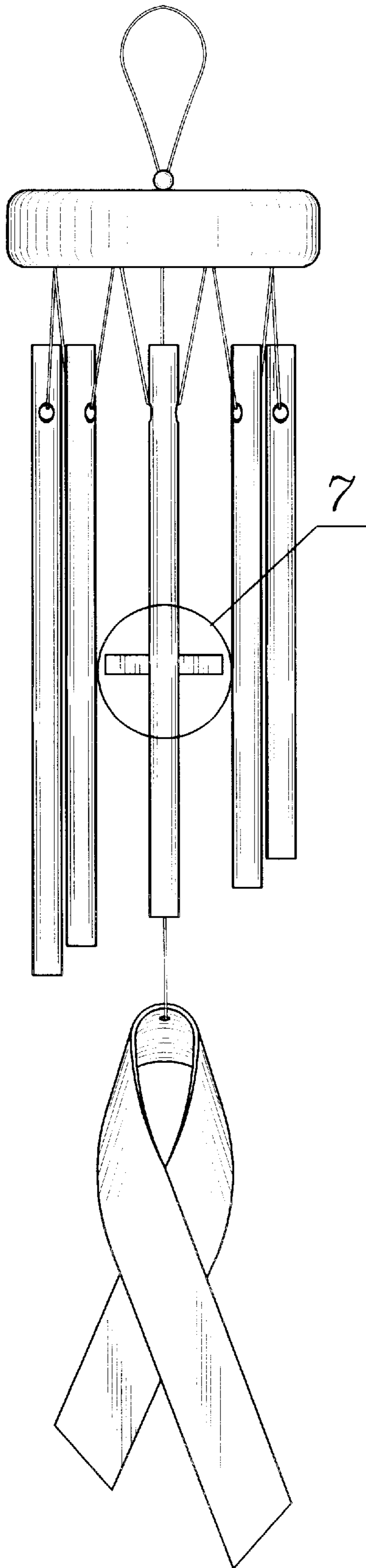


FIG. 1

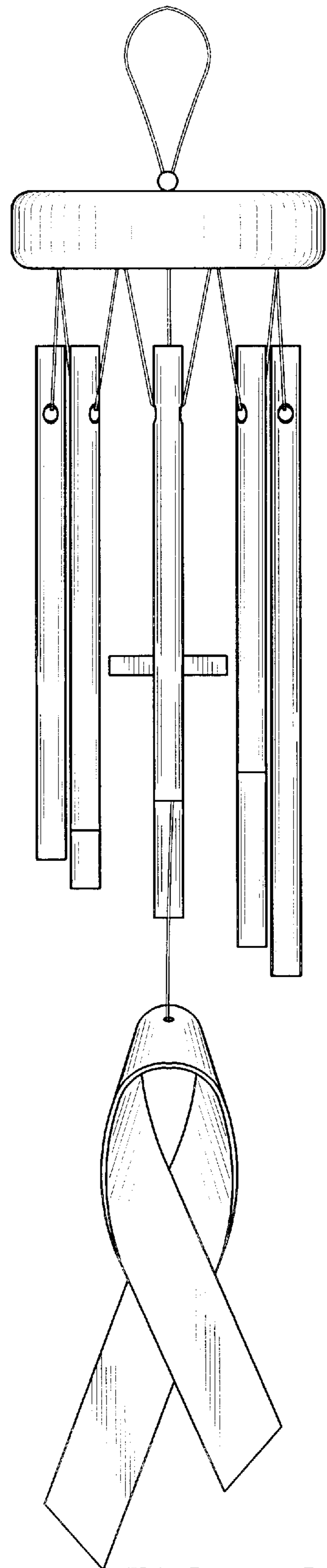


FIG. 2

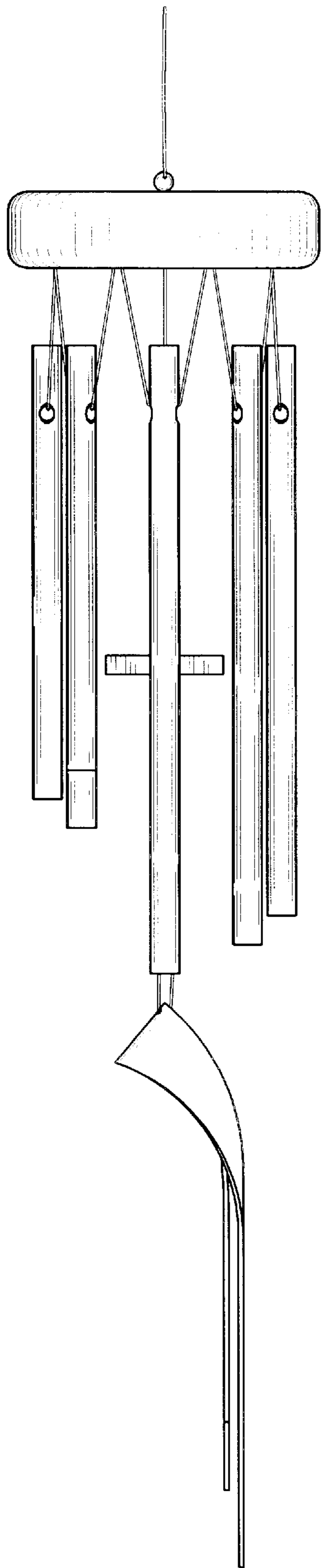


FIG. 3

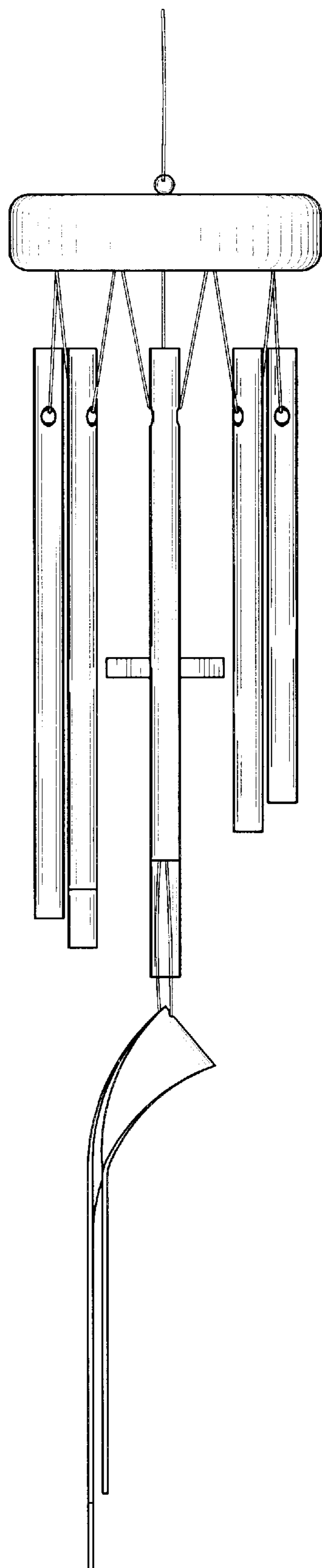


FIG. 4

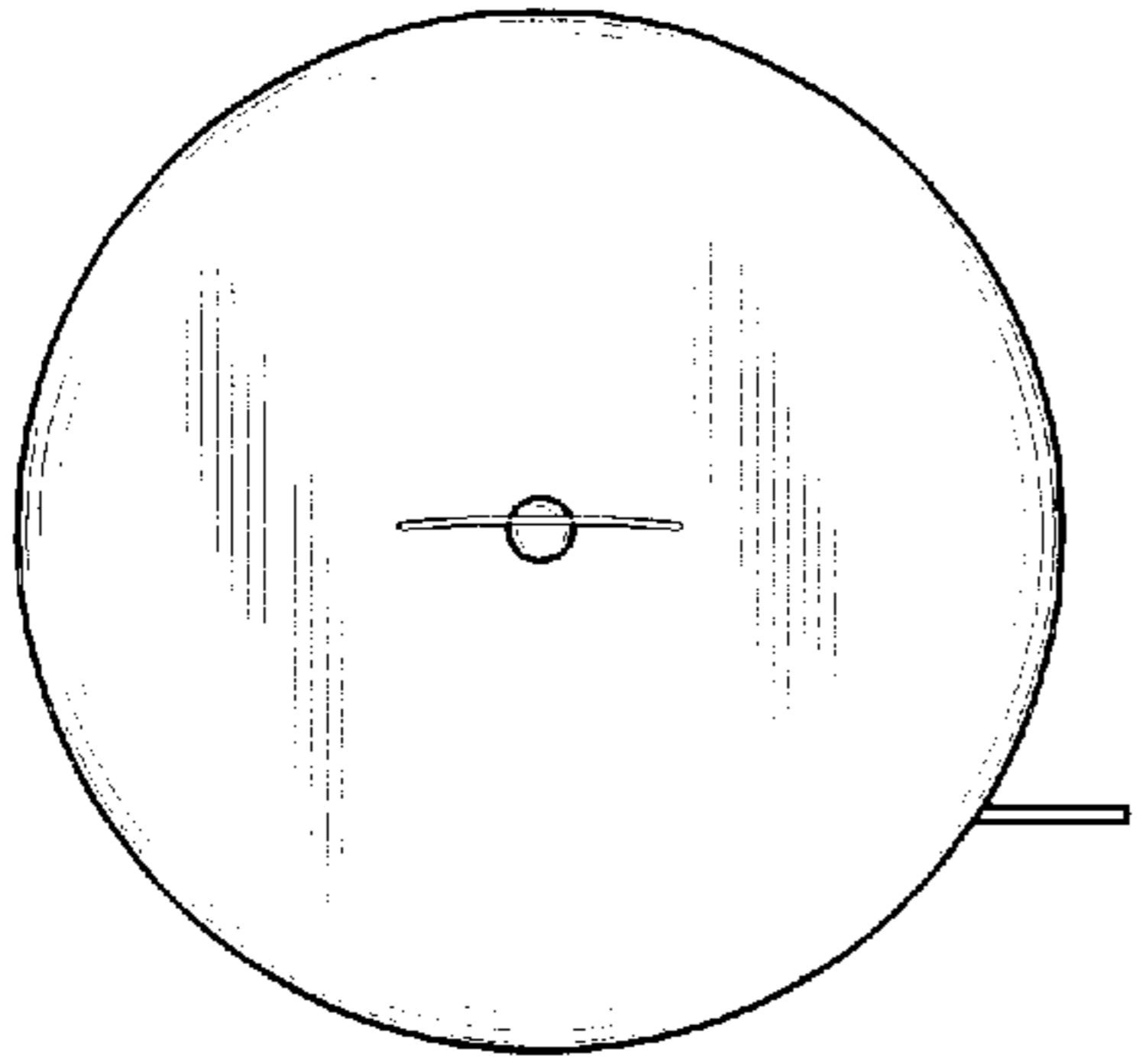


FIG. 5

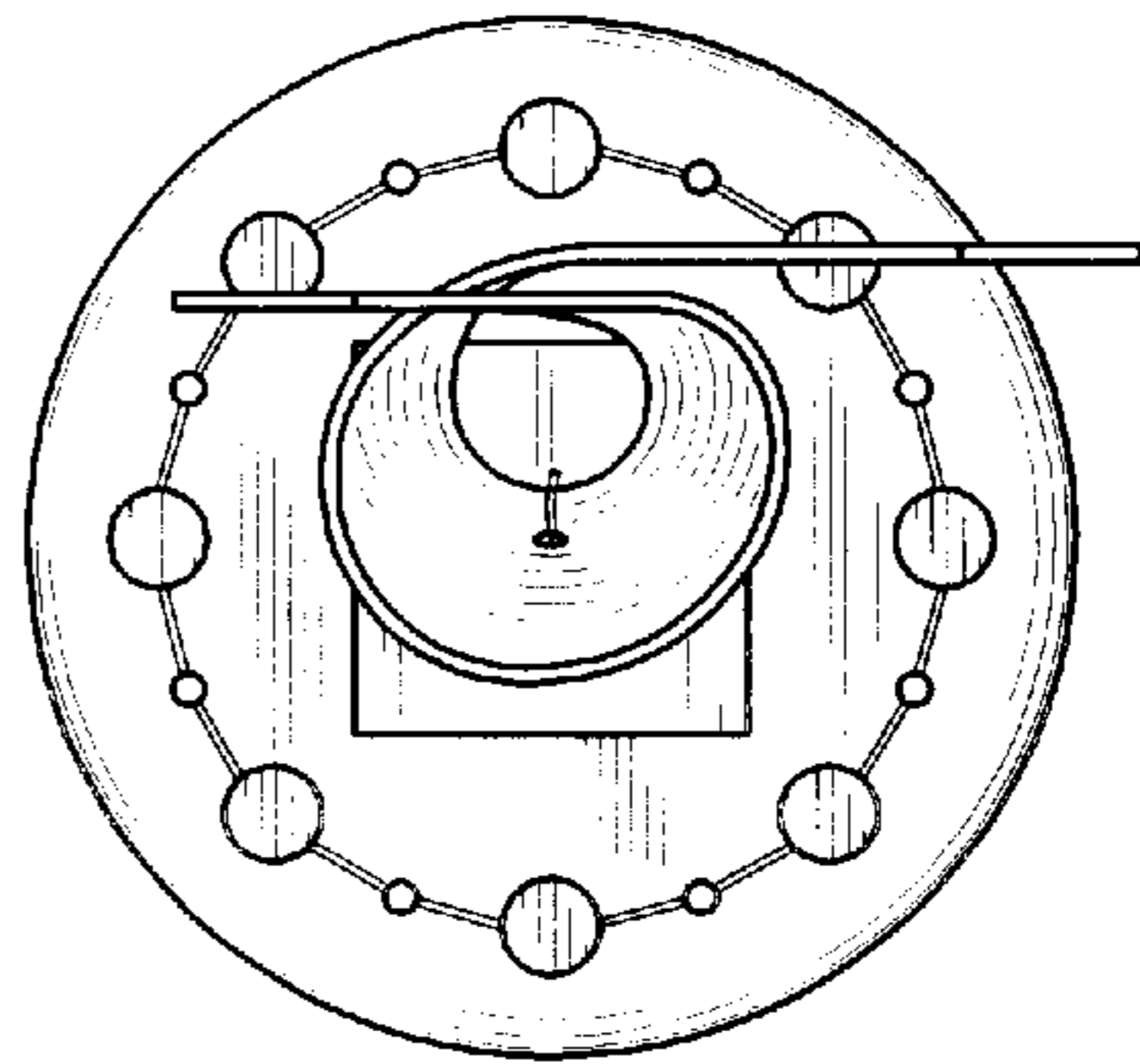


FIG. 6

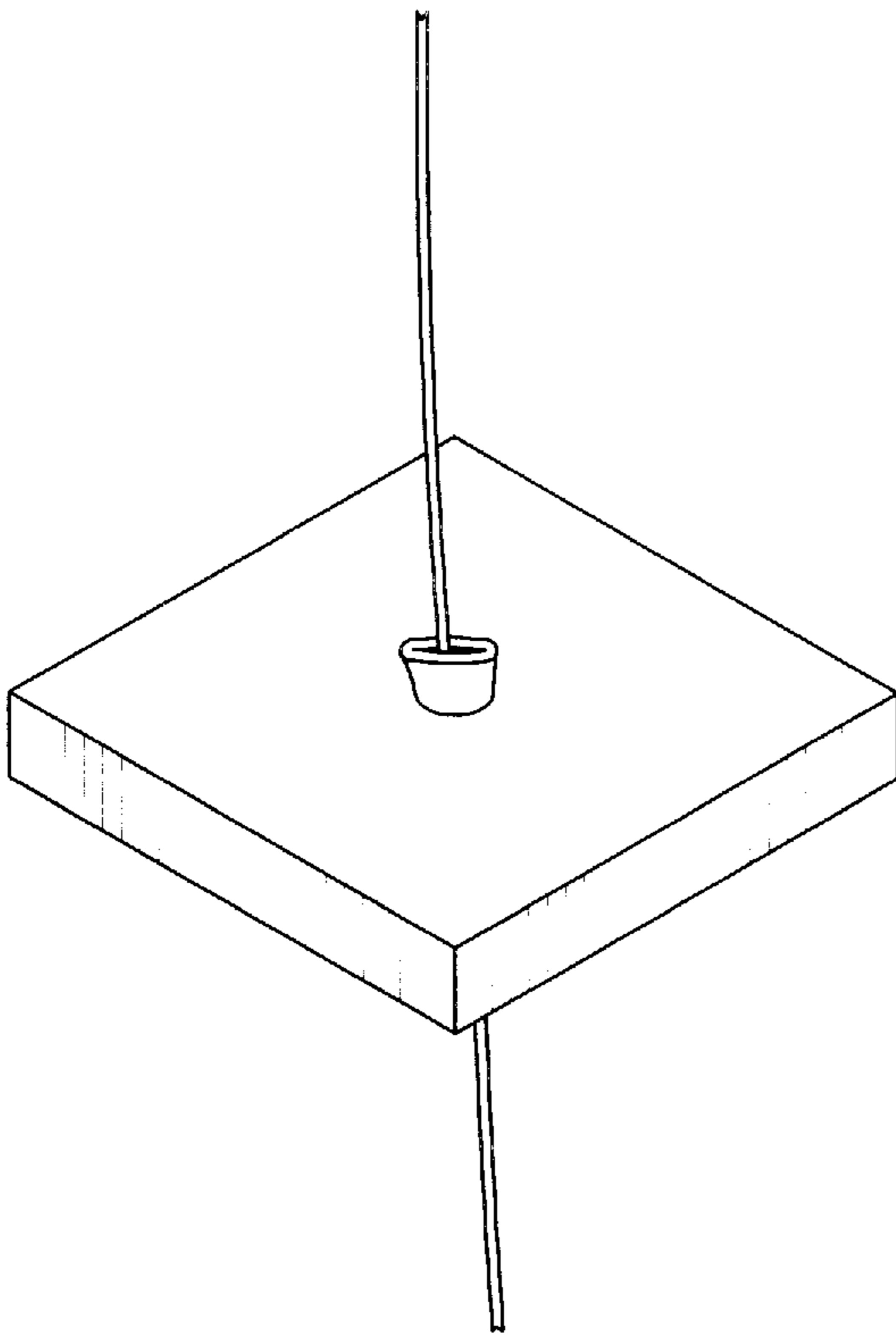


FIG. 7