



US00D404670S

# United States Patent [19]

Jackson et al.

[11] Patent Number: **Des. 404,670**

[45] Date of Patent: **\*\*Jan. 26, 1999**

[54] **ALARM**

[76] Inventors: **Stephen Jackson; Raymond J. Bryant**, both of 8, Homefarm Court, Highstreet, Puckeridge, Herts SG11 1UU, United Kingdom

[\*\*] Term: **14 Years**

[21] Appl. No.: **87,330**

[22] Filed: **Apr. 30, 1998**

[51] **LOC (6) Cl.** ..... **10-05**

[52] **U.S. Cl.** ..... **D10/106**

[58] **Field of Search** ..... D10/104, 106, D10/116, 121; 340/521, 540, 545, 555, 556, 557, 565, 571, 572, 573, 600, 628, 629, 693

[56] **References Cited**

**U.S. PATENT DOCUMENTS**

- D. 236,817 9/1975 Sweany ..... D10/106
- D. 260,008 7/1981 Wistrand ..... D10/106
- D. 283,806 5/1986 Harris ..... D10/106

- D. 325,356 4/1992 Tse ..... D10/106
- D. 338,844 8/1993 Savio et al. .... D10/106
- D. 356,517 3/1995 Sang ..... D10/106
- D. 356,968 4/1995 Flick ..... D10/106
- D. 379,157 5/1997 Hess ..... D10/106
- D. 386,704 11/1997 Chang ..... D10/106
- D. 388,722 1/1998 Wilson ..... D10/106

*Primary Examiner*—Marcus A. Jackson  
*Attorney, Agent, or Firm*—Rader, Fishman & Grauer, PLLC

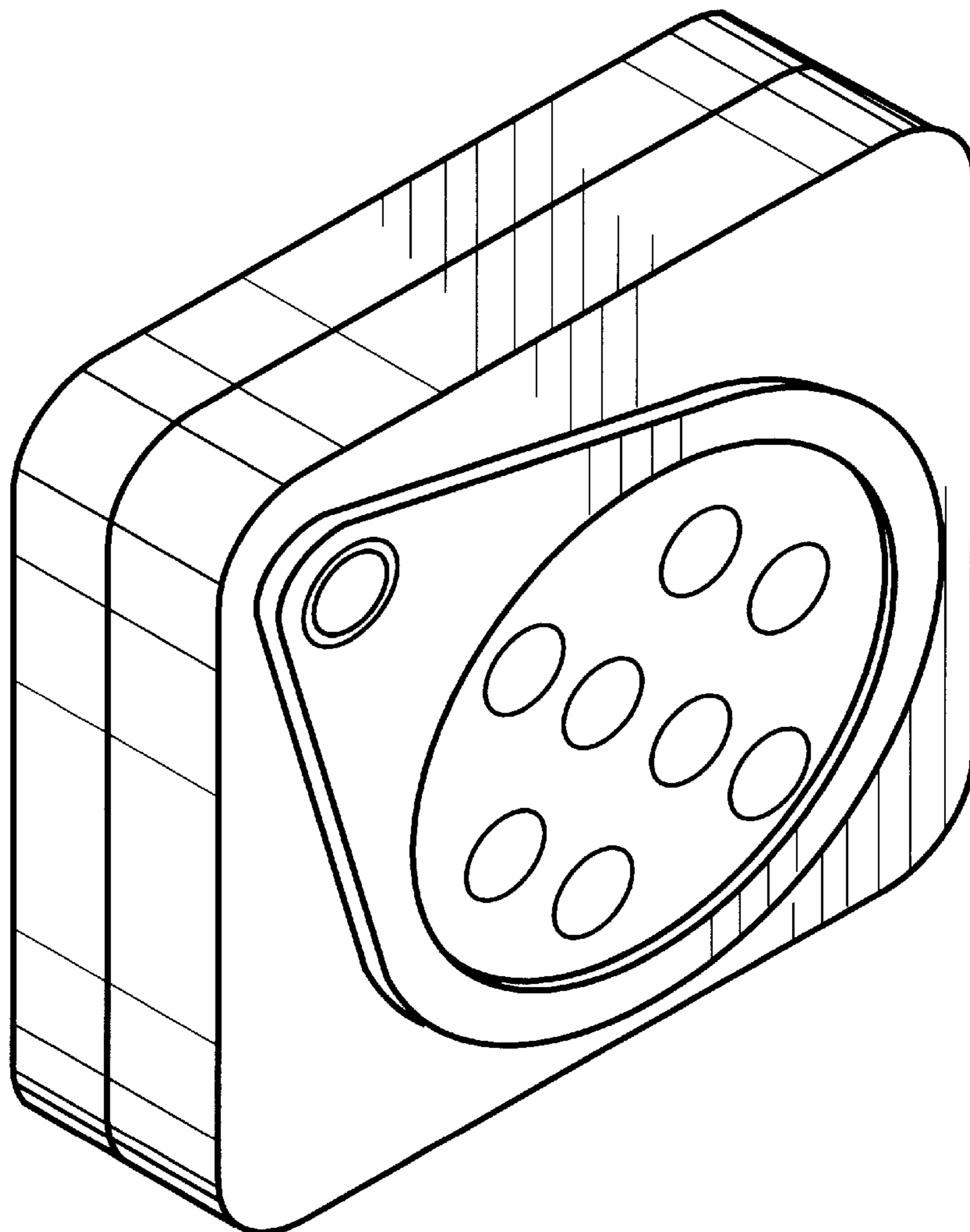
[57] **CLAIM**

The ornamental design for an alarm, as shown and described.

**DESCRIPTION**

FIG. 1 is a view of the front face of the alarm; FIG. 2 is a view of the reverse face of the alarm; FIG. 3 is a view of the right face of the alarm; FIG. 4 is a view of the left face of the alarm; FIG. 5 is a view of the top face of the alarm; FIG. 6 is a view of the bottom face of the alarm; and, FIG. 7 is an isometric view of the alarm.

**1 Claim, 4 Drawing Sheets**



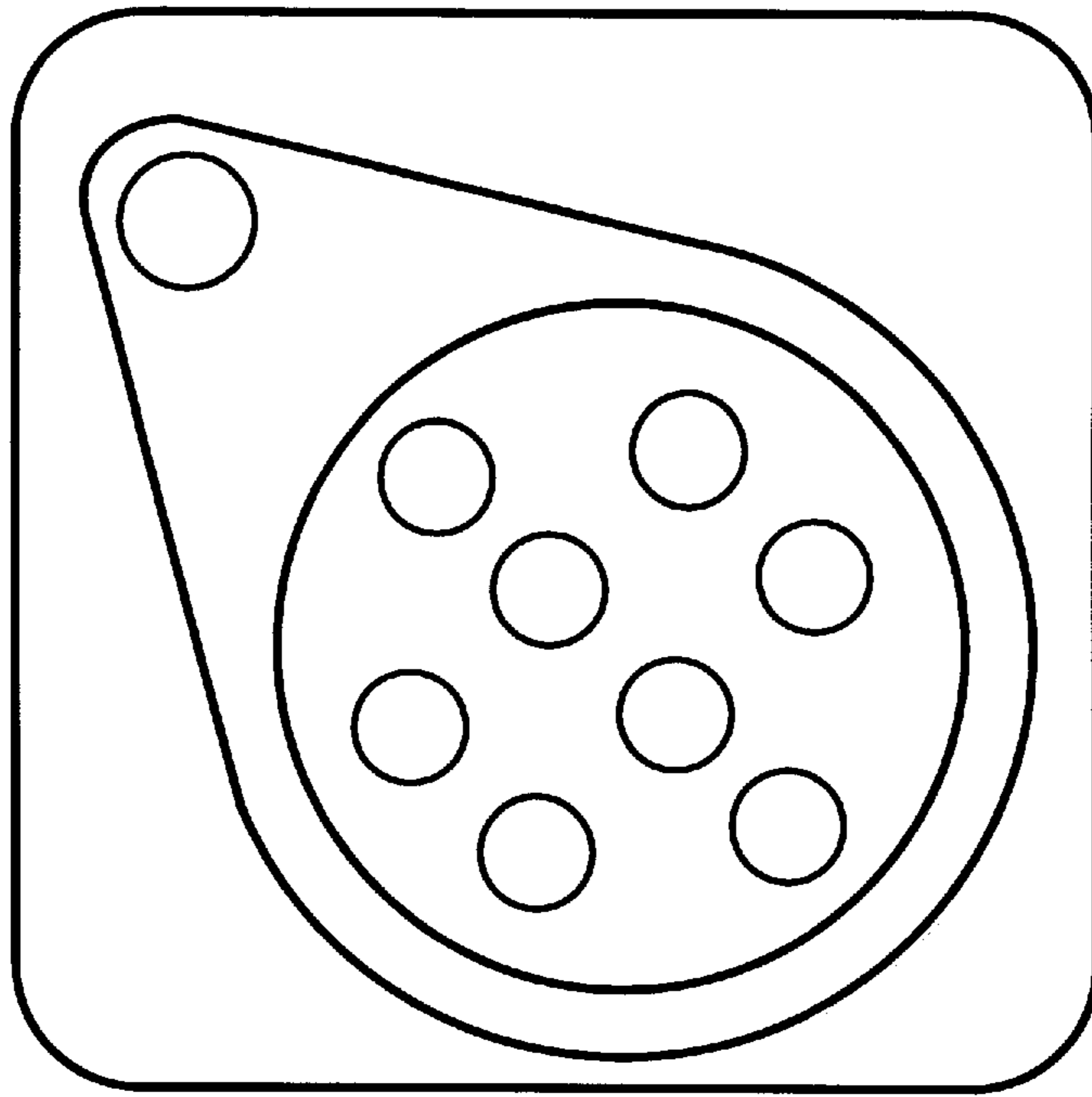


FIG 1

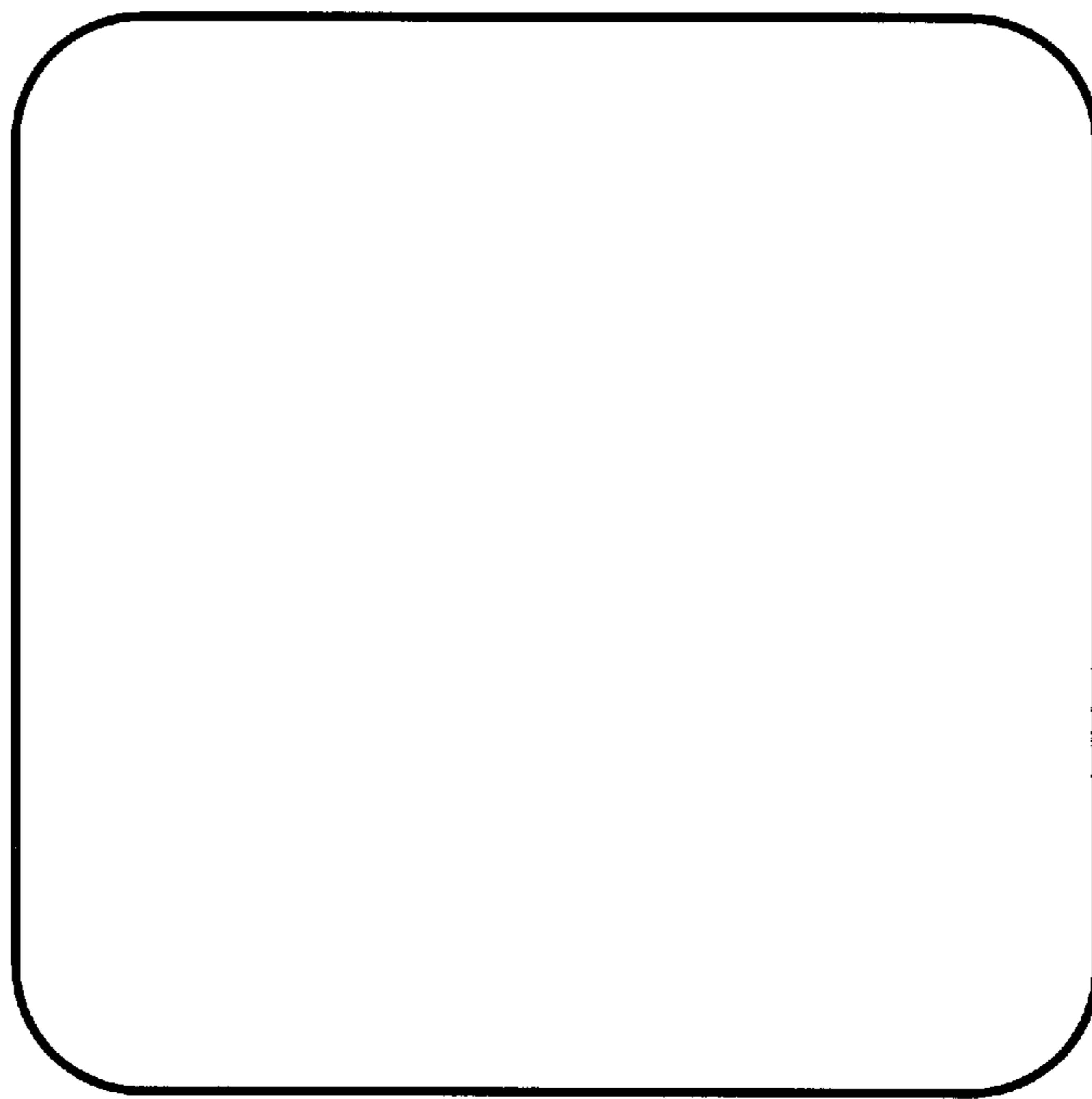


FIG 2

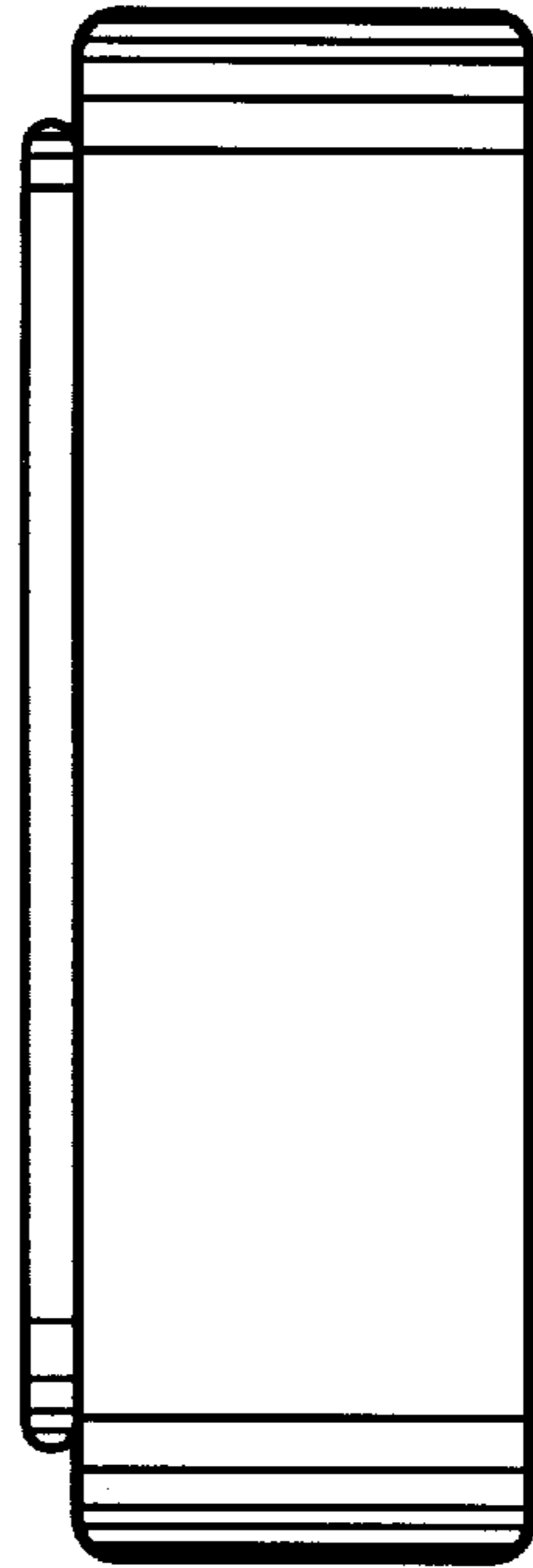


FIG 3

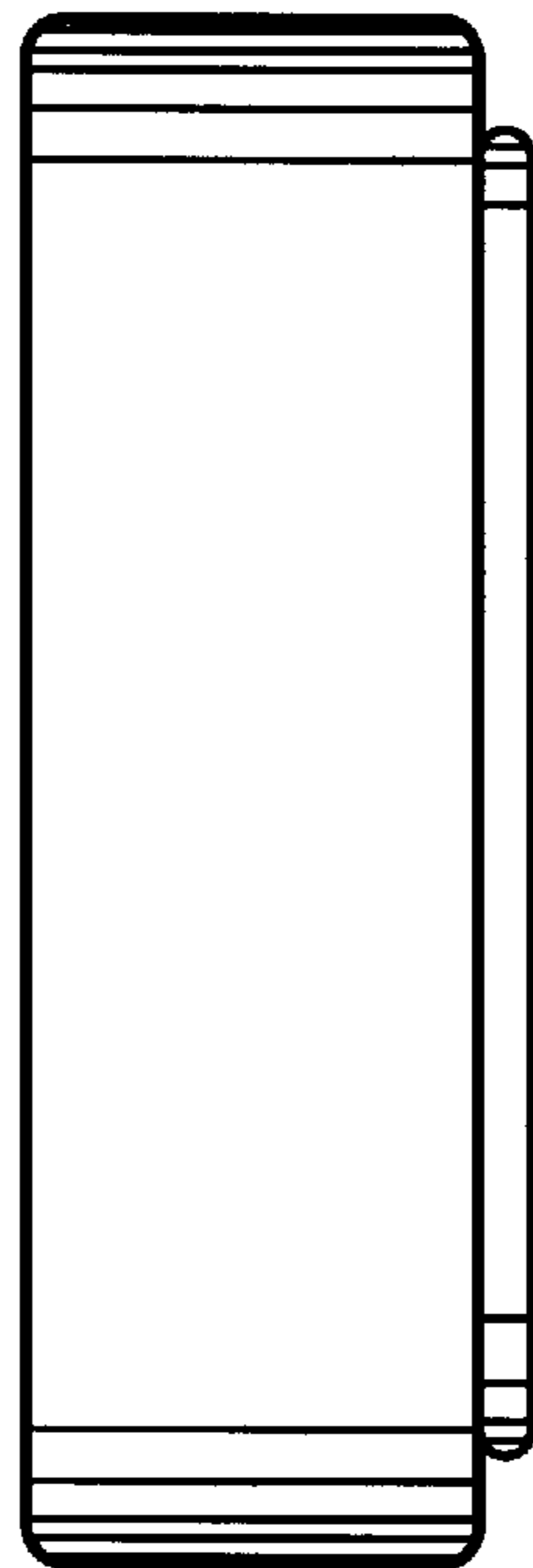


FIG 4

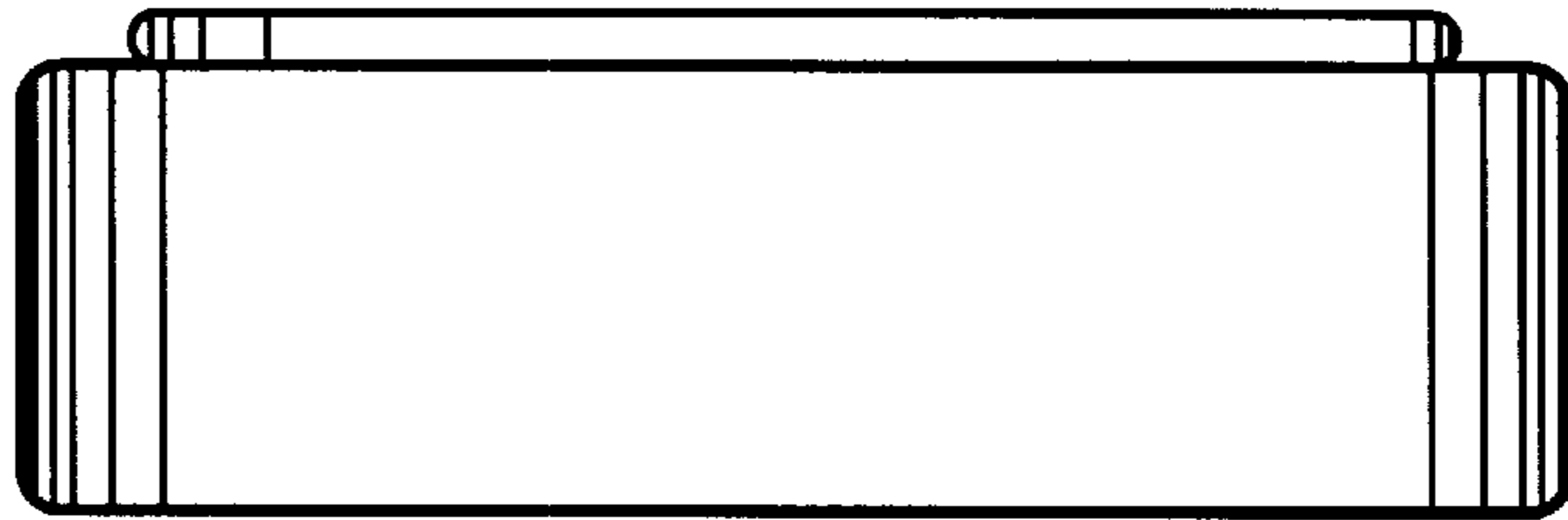


FIG 5

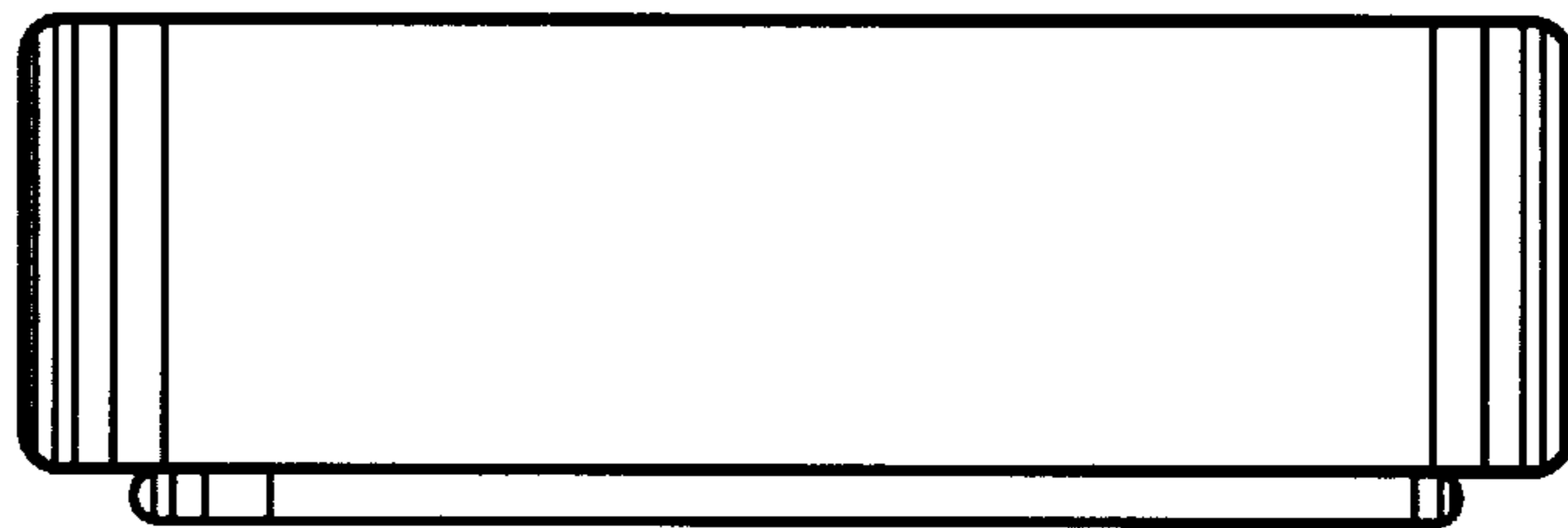


FIG 6

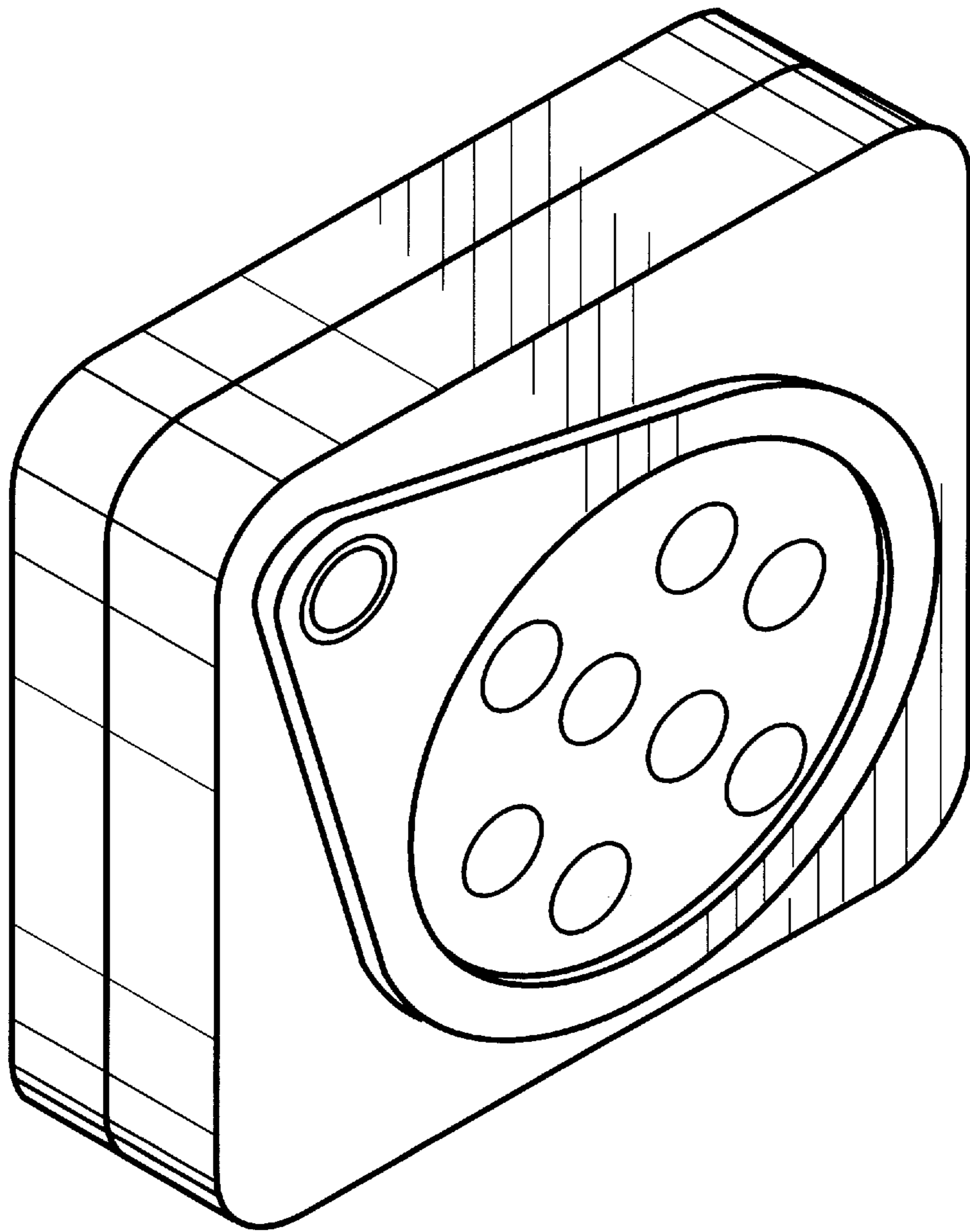


FIG 7