



US00D404669S

# United States Patent [19]

Welter et al.

[11] **Patent Number: Des. 404,669**

[45] **Date of Patent: \*\*Jan. 26, 1999**

[54] **CHRISTMAS TREE TOP SMOKE ALARM**

[76] Inventors: **Darin Troy Welter; Christina Marie Welter**, both of P.O. Box 955, Clatskanie, Oreg. 97016

[\*\*] Term: **14 Years**

[21] Appl. No.: **87,813**

[22] Filed: **May 11, 1998**

[51] **LOC (6) Cl. .... 10-05**

[52] **U.S. Cl. .... D10/106**

[58] **Field of Search** ..... D10/104, 106, D10/116, 121; D29/1, 2, 3, 4; D11/117, 124, 125, 128; 340/545, 547, 555, 578, 586, 628, 629, 630, 693

[56] **References Cited**

**U.S. PATENT DOCUMENTS**

- D. 245,322 8/1977 White ..... D10/106
- D. 246,578 12/1977 White ..... D10/106

- D. 247,163 2/1978 White ..... D10/106
- D. 330,172 10/1992 Rihm ..... D10/106
- D. 341,331 11/1993 Richards, Jr. .... D10/106
- D. 382,824 8/1997 Motruk ..... D10/106

*Primary Examiner*—Marcus A. Jackson

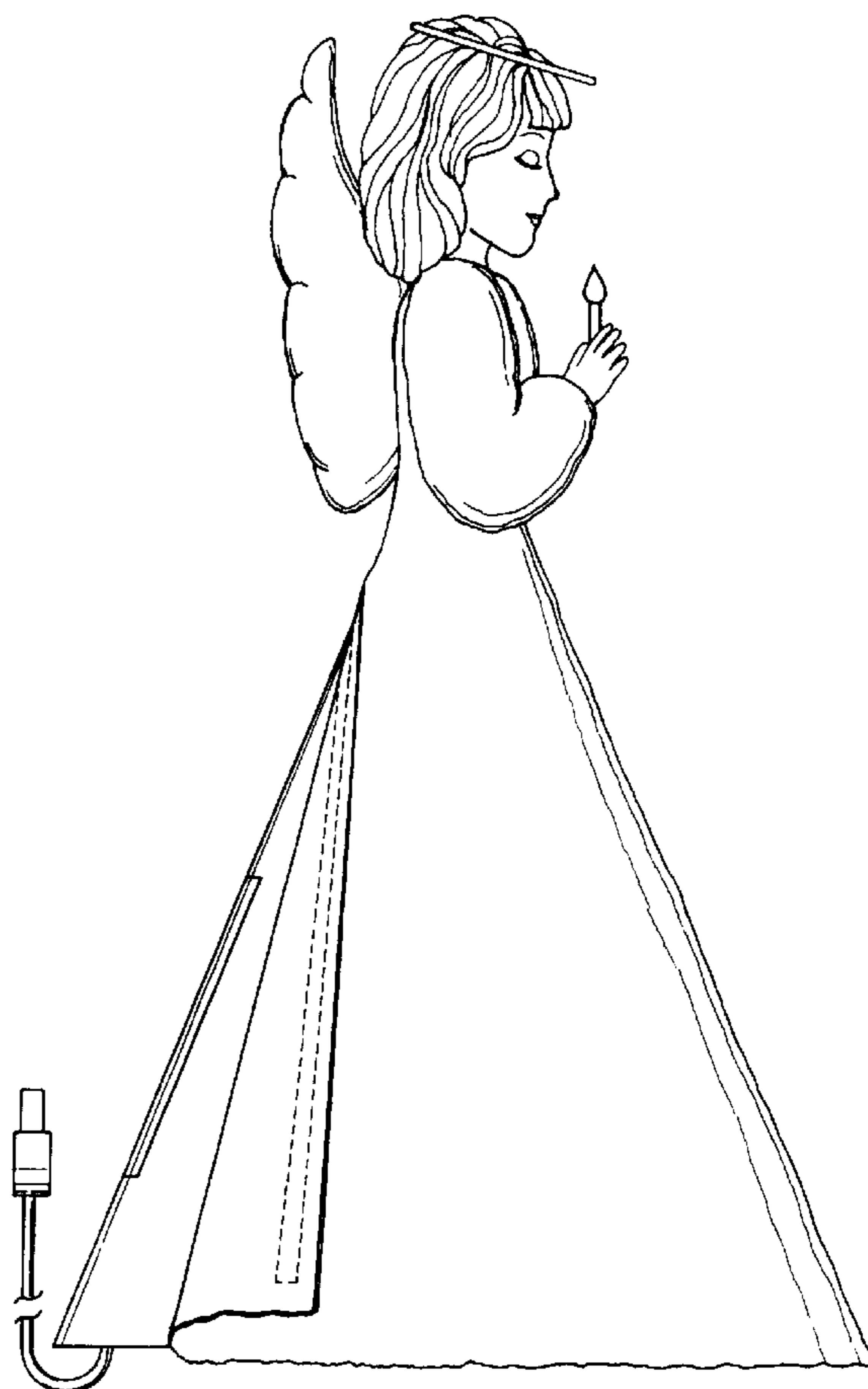
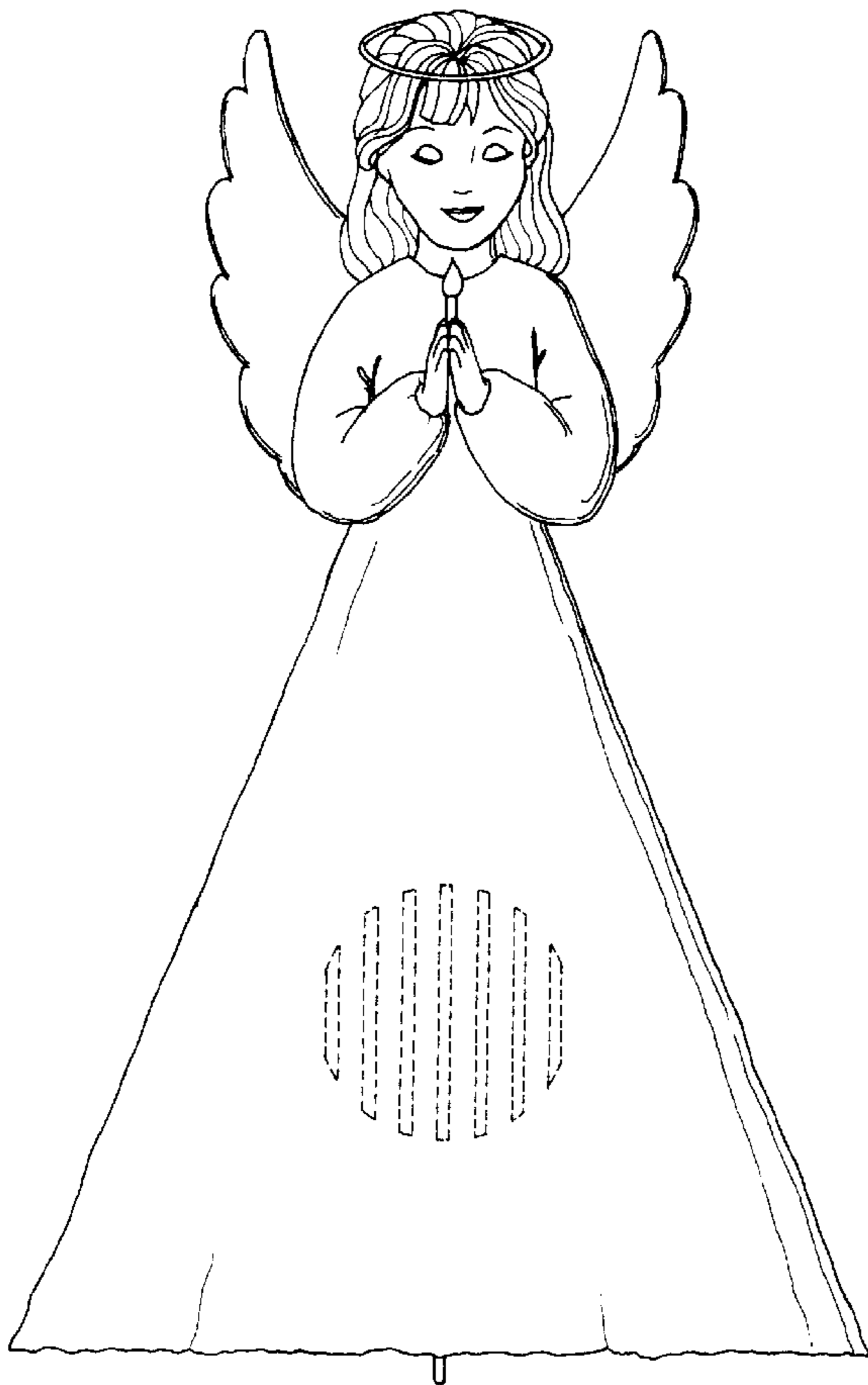
[57] **CLAIM**

The ornamental design for a Christmas tree top smoke alarm, as shown and described.

**DESCRIPTION**

FIG. 1 is a front elevational view of the Christmas tree top smoke alarm showing our new design; FIG. 2 is a rear elevational view thereof, with the cord broken away to indicate indeterminate length and with the broken line showing for illustrative purposes only and forming no part of the claimed design; FIG. 3 is a right side view thereof; FIG. 4 is a left side view thereof; FIG. 5 is a top plan view thereof; and, FIG. 6 is a bottom plan view thereof.

**1 Claim, 3 Drawing Sheets**



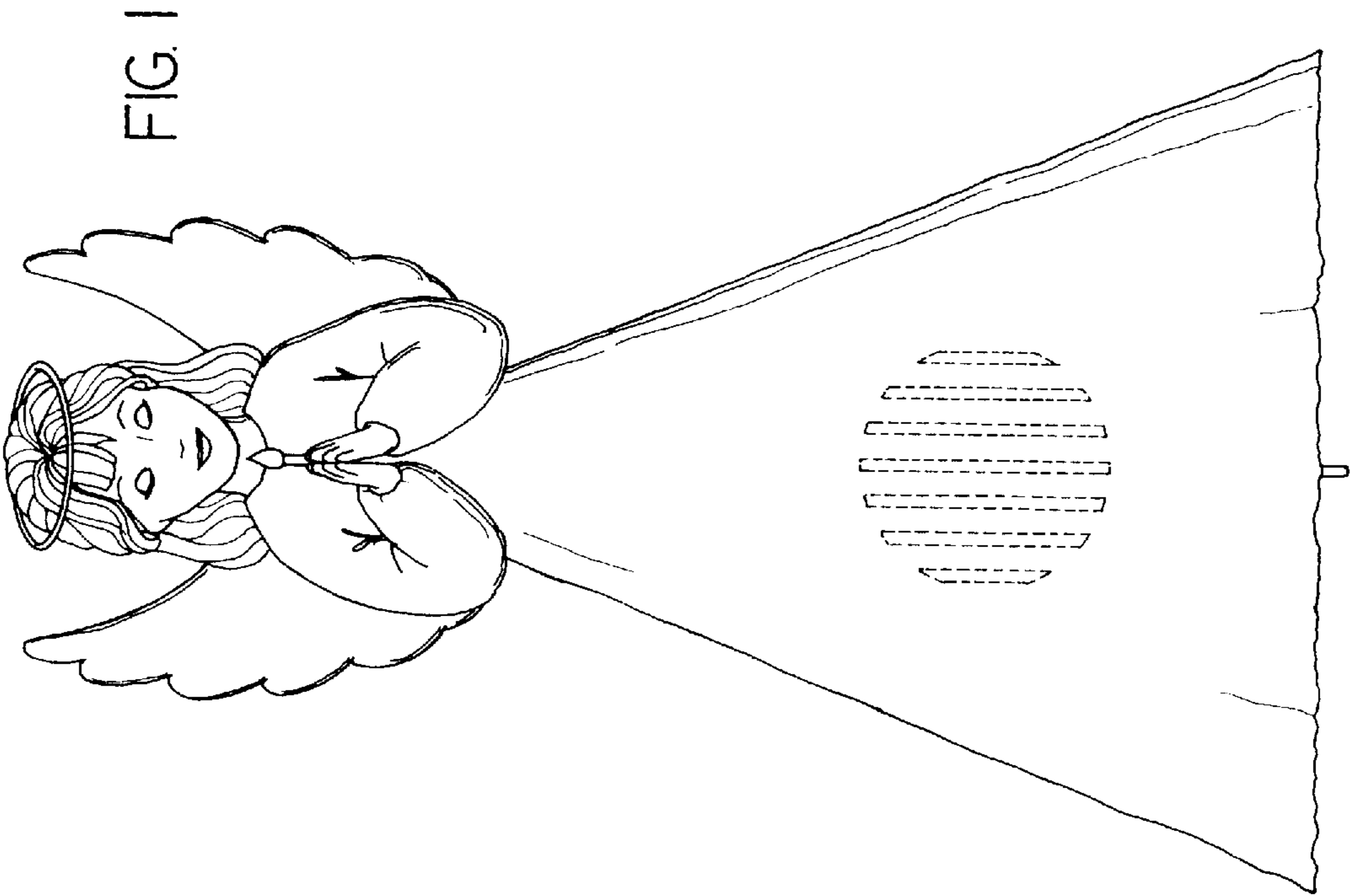
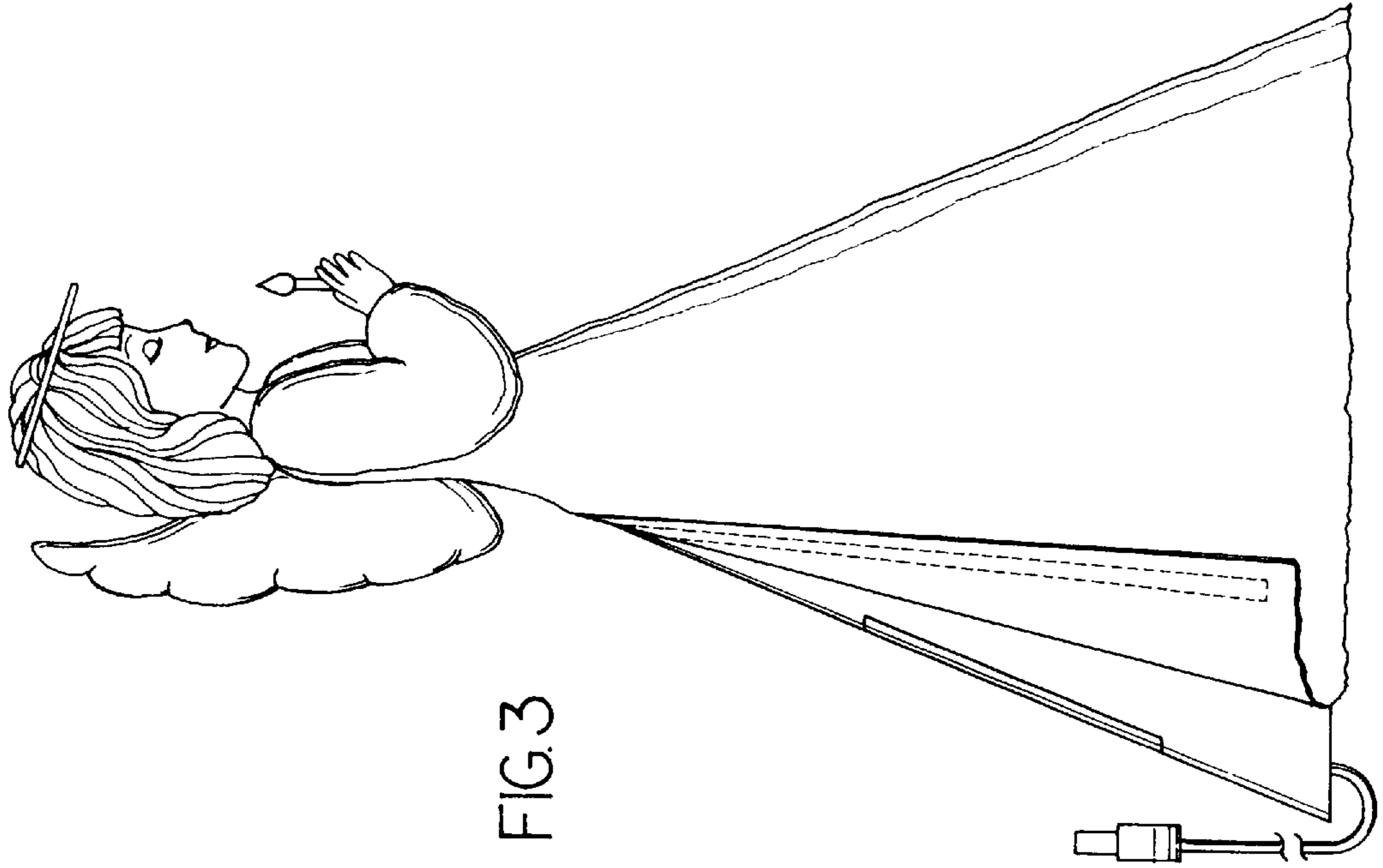


FIG. 2

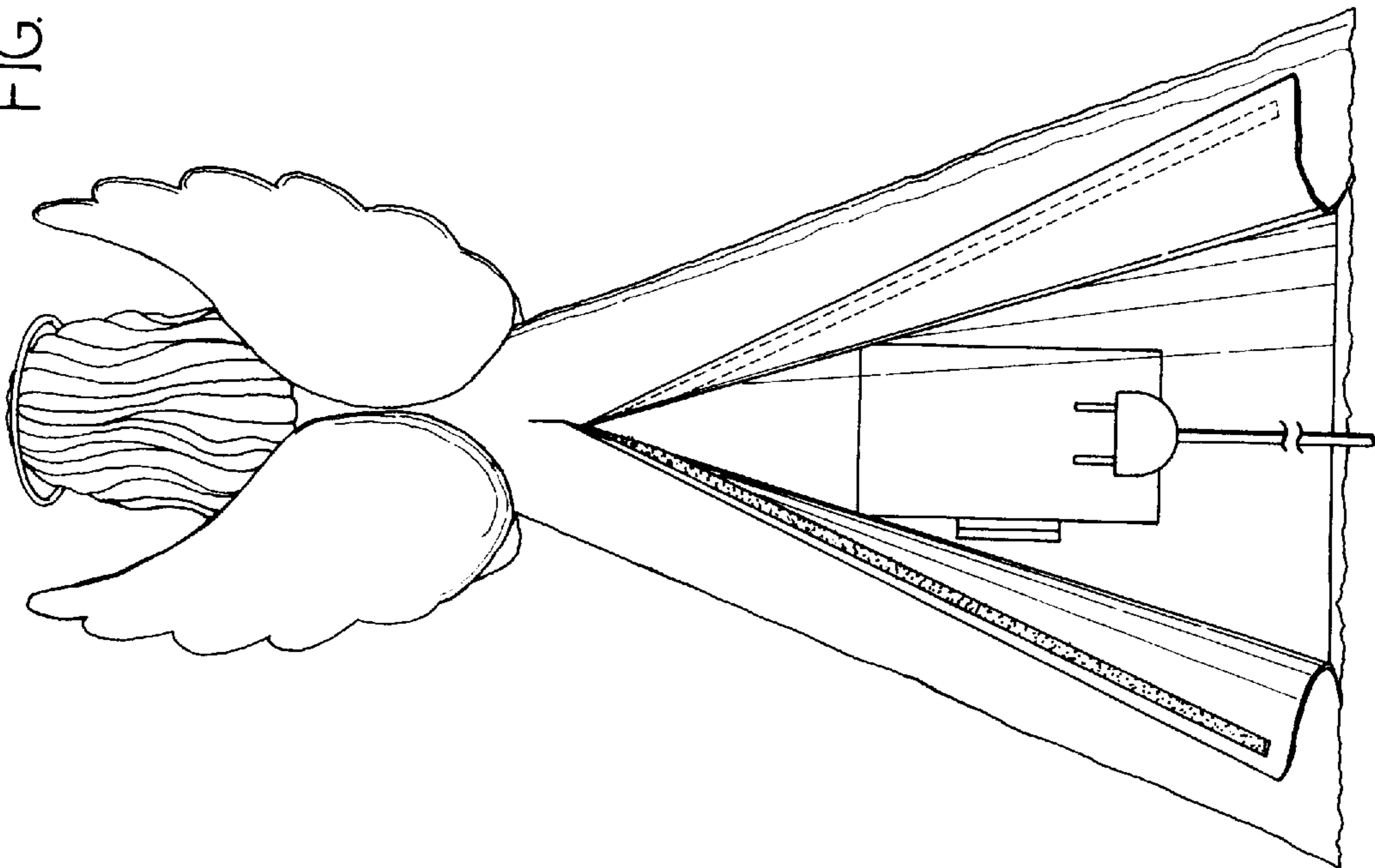
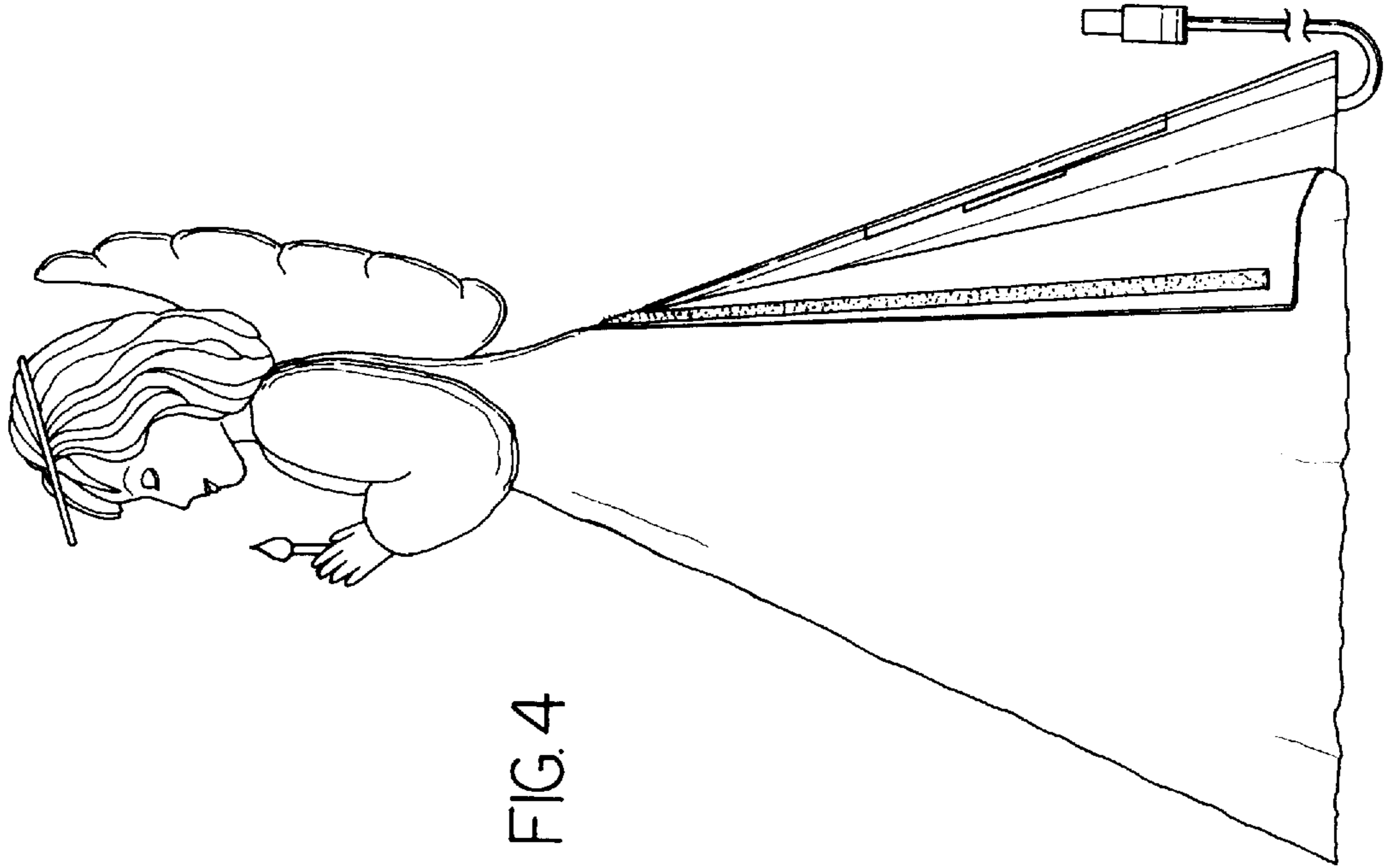


FIG. 4



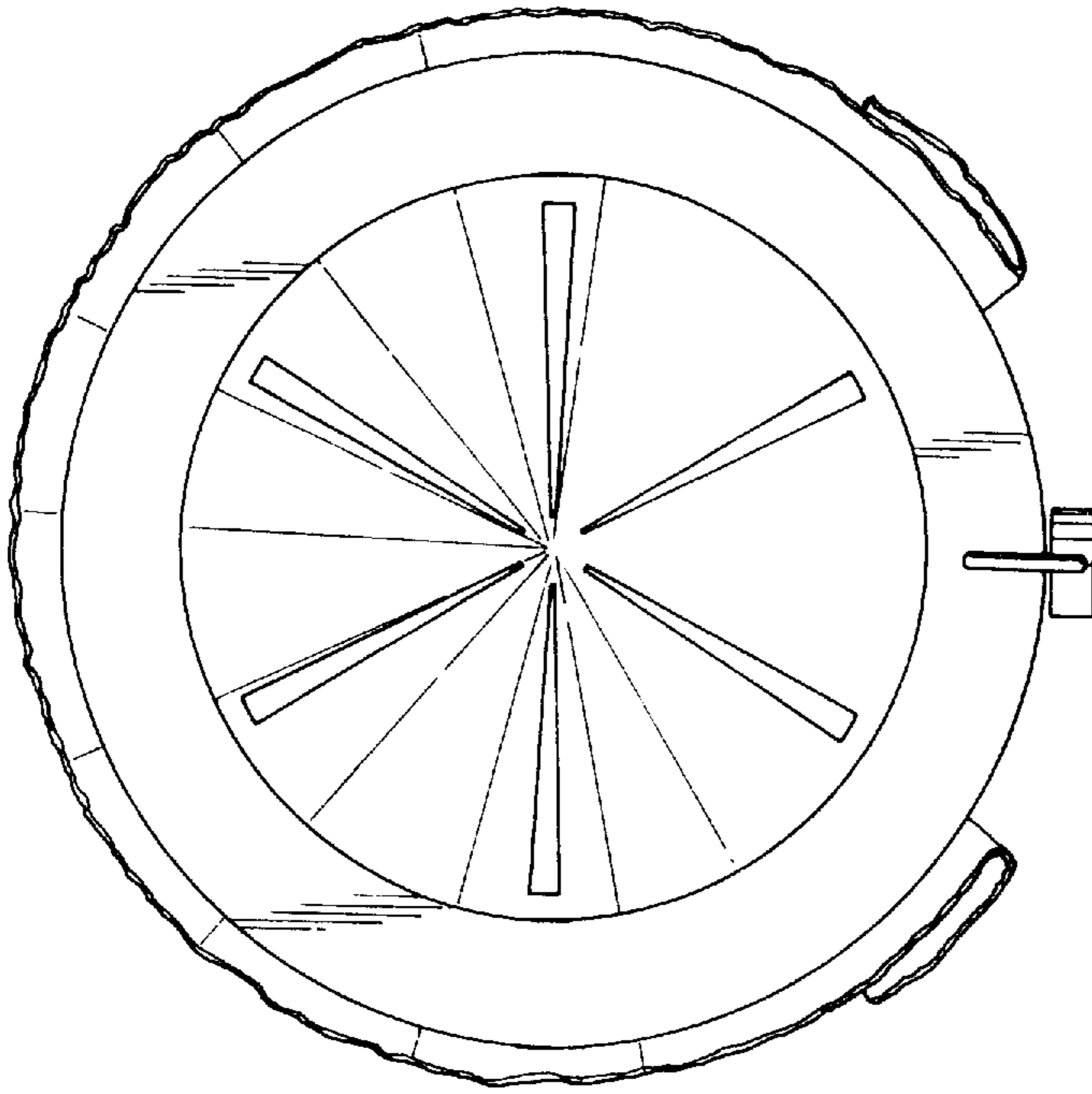


FIG. 6

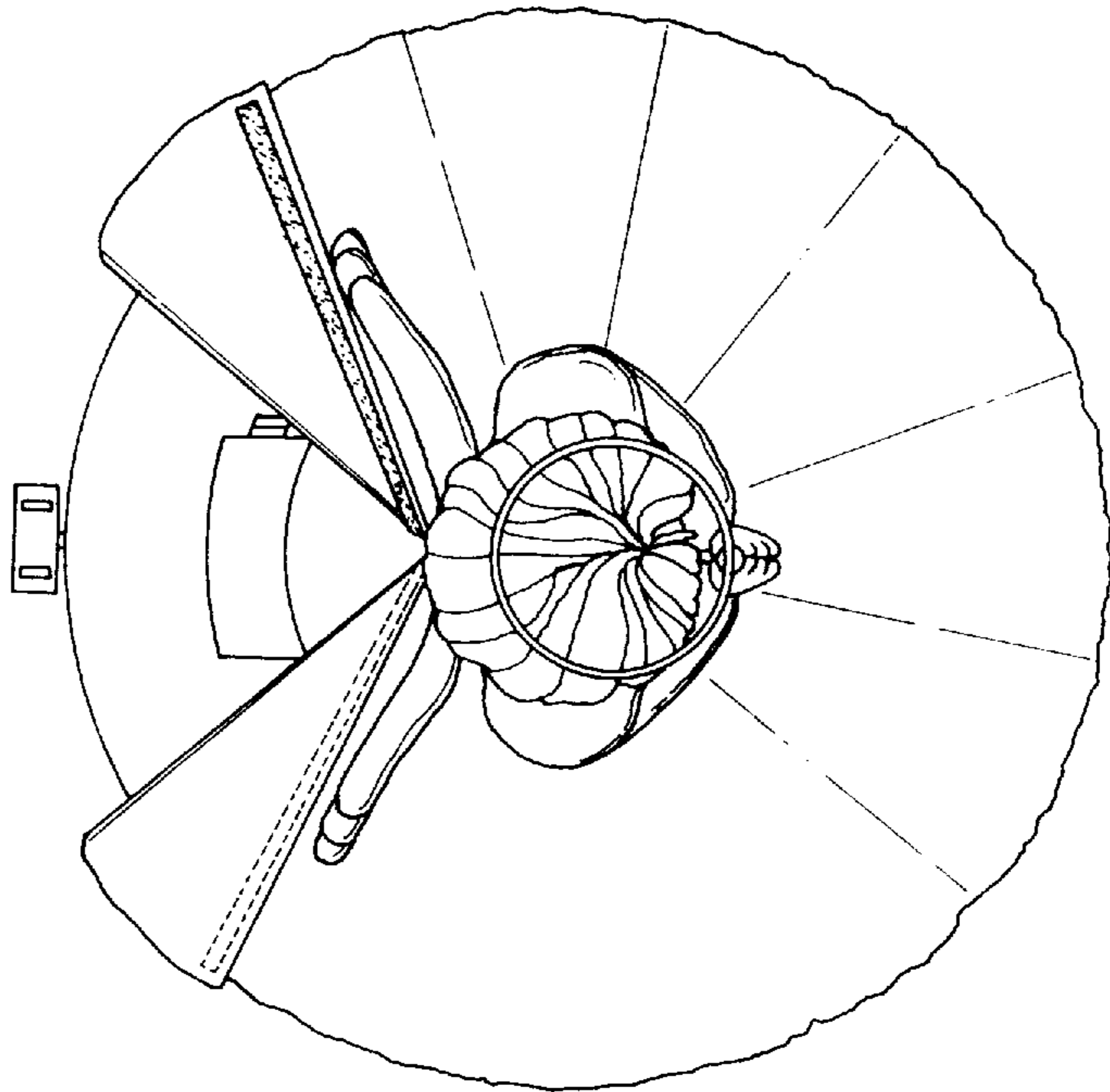


FIG. 5