



US00D404667S

United States Patent [19]

Montgomery et al.

[11] Patent Number: **Des. 404,667**

[45] Date of Patent: ****Jan. 26, 1999**

[54] **FINGERPRINT INDICATING SENSING UNIT**

[75] Inventors: **Paul Montgomery**, Kentfield; **Herbie Pfeifer**, San Francisco; **Fabio Righi**, Atherton, all of Calif.

[73] Assignee: **digitalPersona, Inc.**, Redwood City, Calif.

[**] Term: **14 Years**

[21] Appl. No.: **79,070**

[22] Filed: **Nov. 7, 1997**

[51] **LOC (6) Cl.** **10-05**

[52] **U.S. Cl.** **D10/104**

[58] **Field of Search** D10/104, 106, D10/121; 340/565, 567, 568, 571, 572, 573, 500, 502, 503, 504, 505, 506

[56] **References Cited**

U.S. PATENT DOCUMENTS

D. 305,211	12/1989	Horn	D10/106
D. 346,340	4/1994	Cayton et al.	D10/106
4,573,042	2/1986	Boyd et al.	340/571

Primary Examiner—Marcus A. Jackson

Attorney, Agent, or Firm—Blakely, Sokoloff, Taylor, & Zafman LLP

[57] **CLAIM**

The ornamental design for a fingerprint indicating sensing unit, as shown and described.

DESCRIPTION

FIG. 1 is a perspective view of a fingerprint indicating sensing unit, showing a preferred embodiment of our new ornamental design;

FIG. 2 is a right side view of a fingerprint indicating sensing unit, showing a preferred embodiment of our new ornamental design;

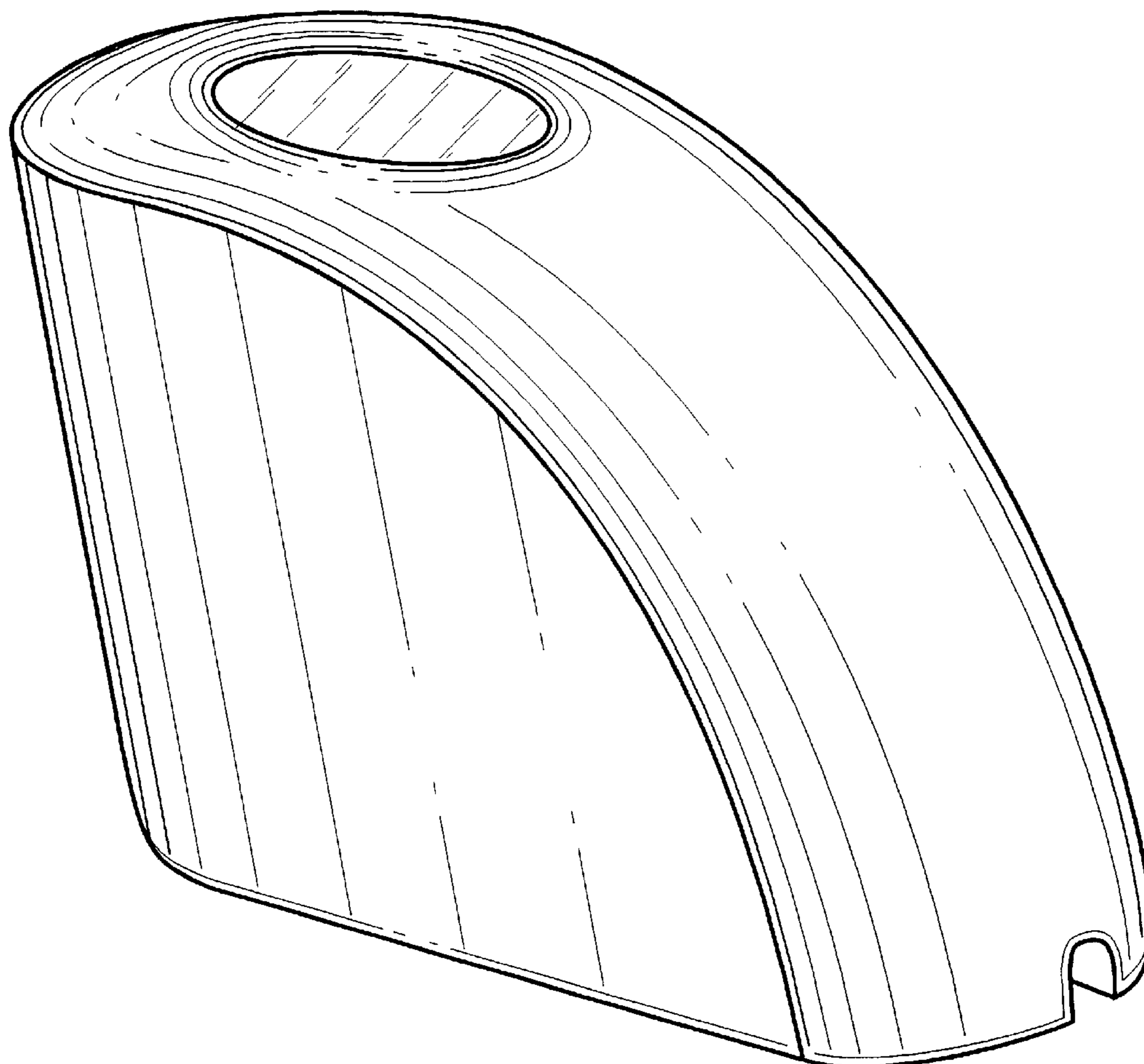
FIG. 3 is a left side view of a fingerprint indicating sensing unit, showing a preferred embodiment of our new ornamental design;

FIG. 4 is a front and back view of a fingerprint indicating sensing unit, showing a preferred embodiment of our new ornamental design;

FIG. 5 is a top view of a fingerprint indicating sensing unit, showing a preferred embodiment of our new ornamental design; and,

FIG. 6 is a bottom view of a fingerprint indicating sensing unit, showing a preferred embodiment of our new ornamental design.

1 Claim, 5 Drawing Sheets



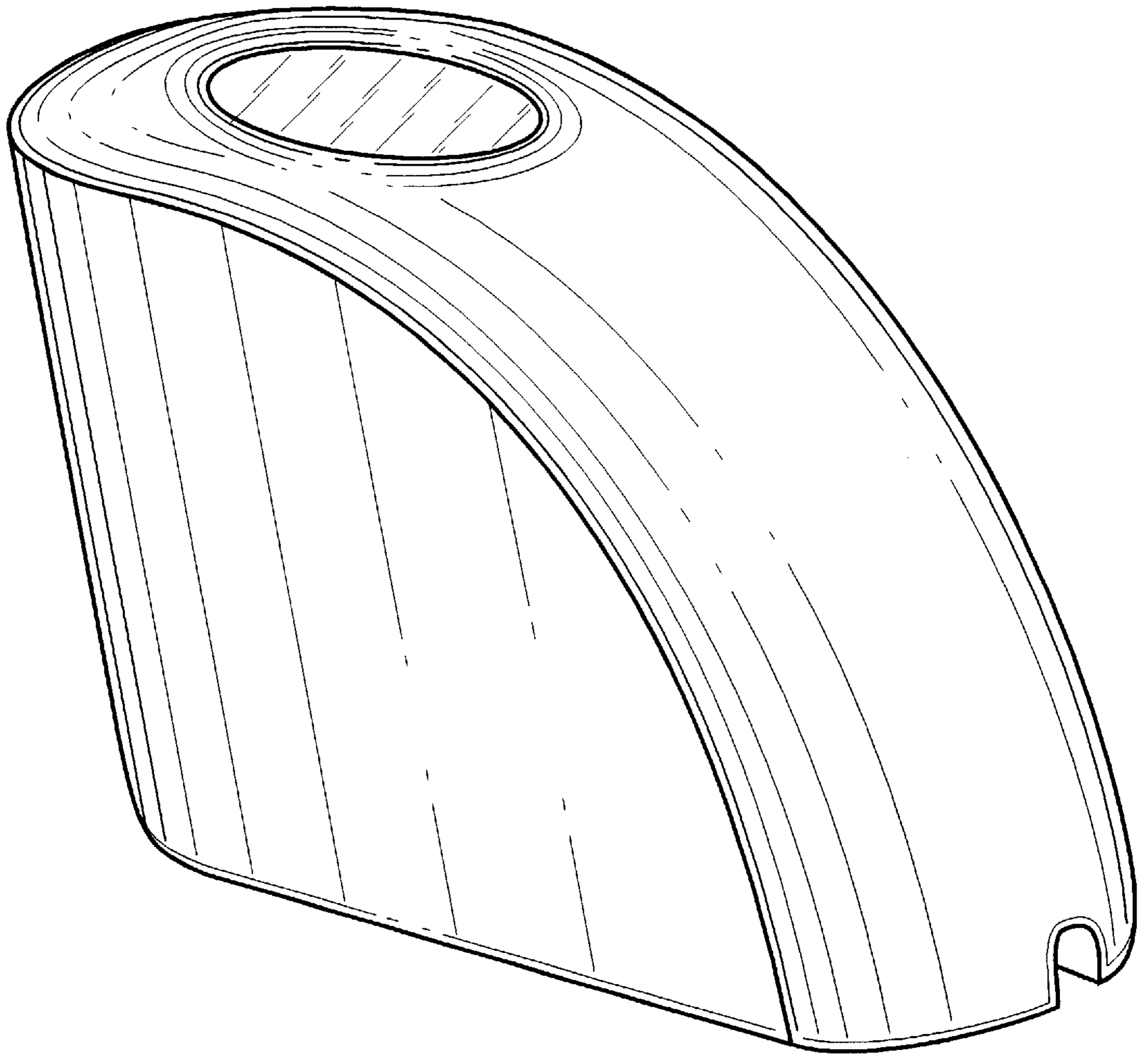


FIG. 1

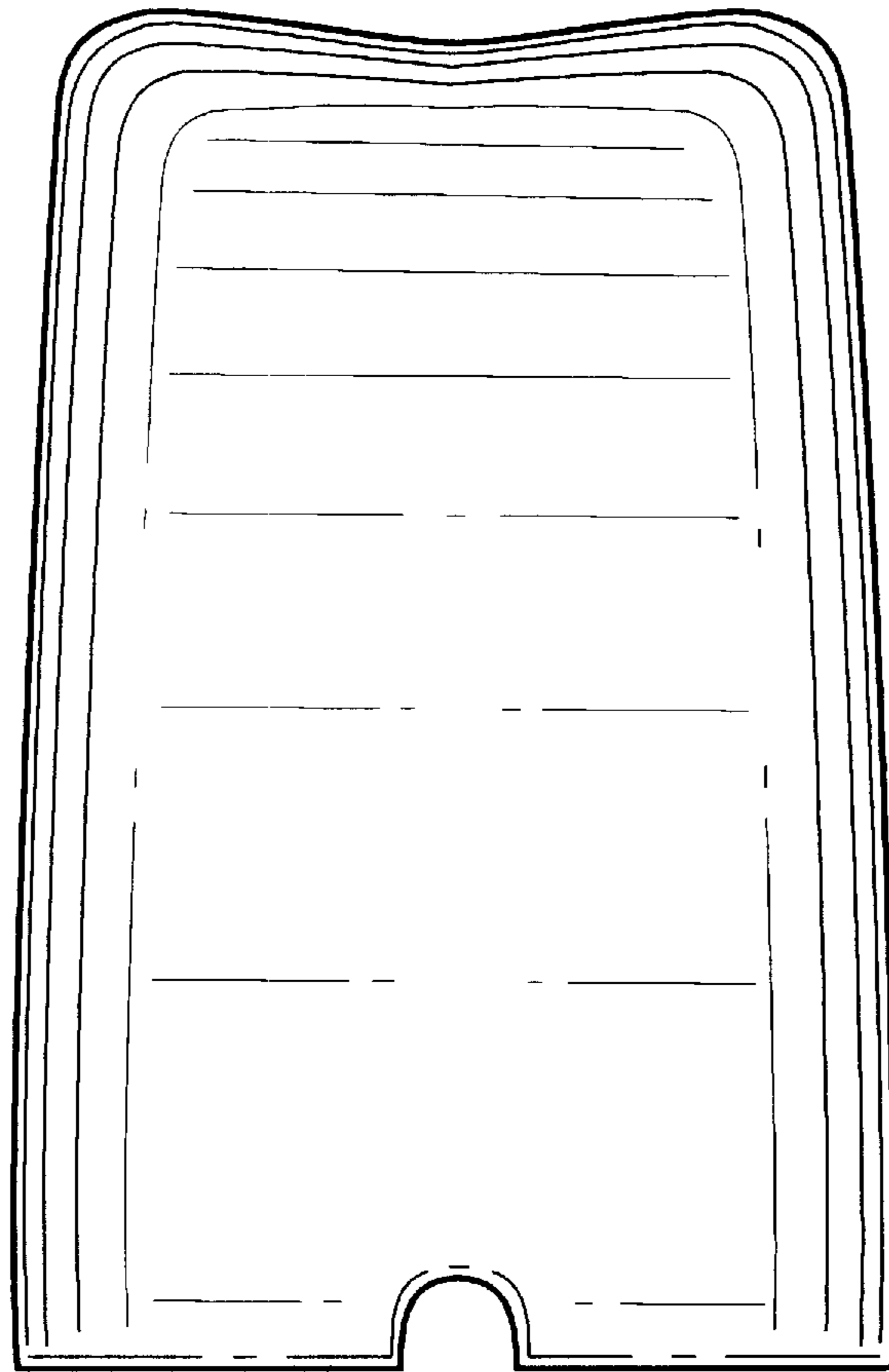


FIG. 2

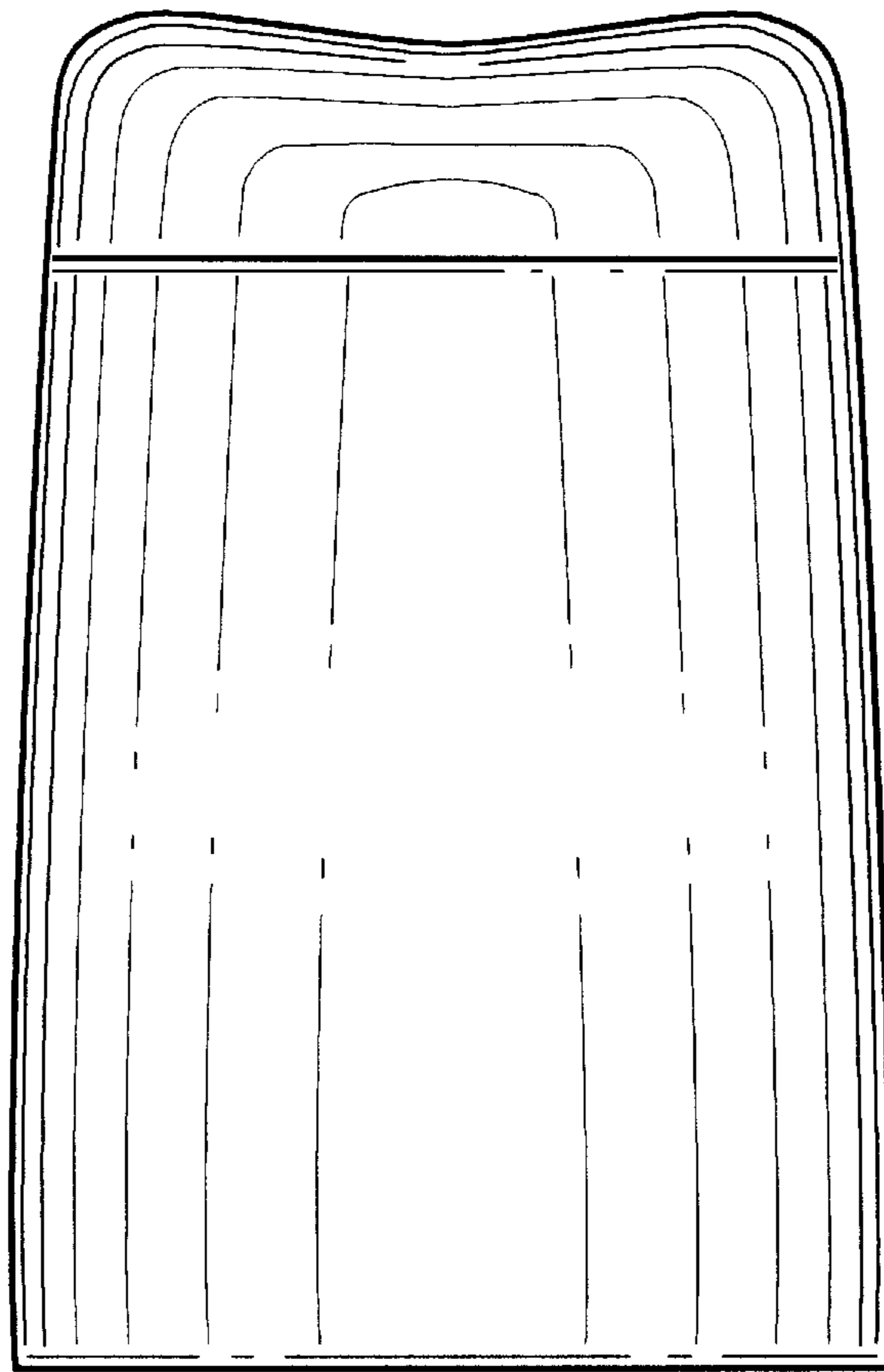


FIG. 3

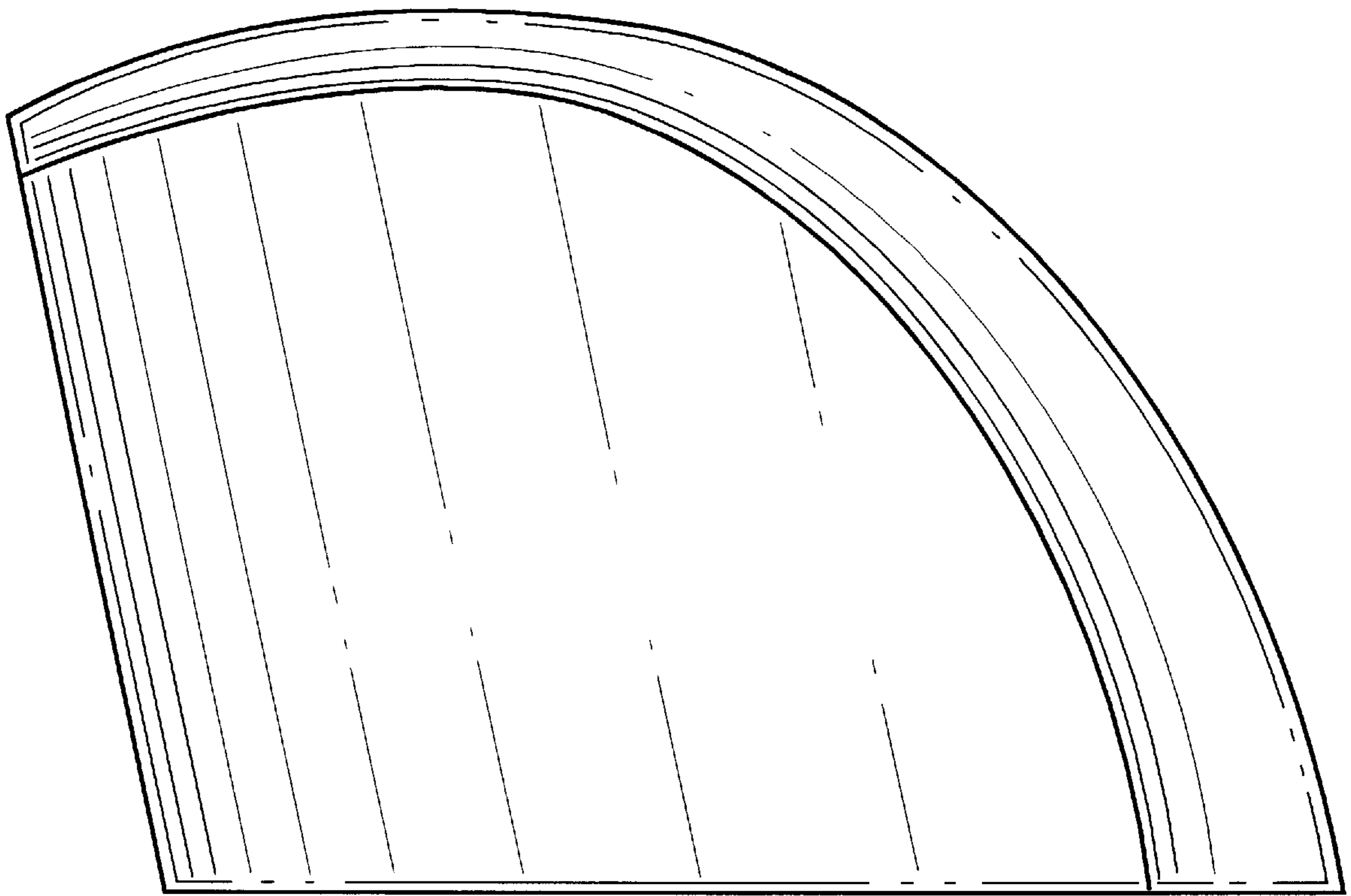


FIG. 4

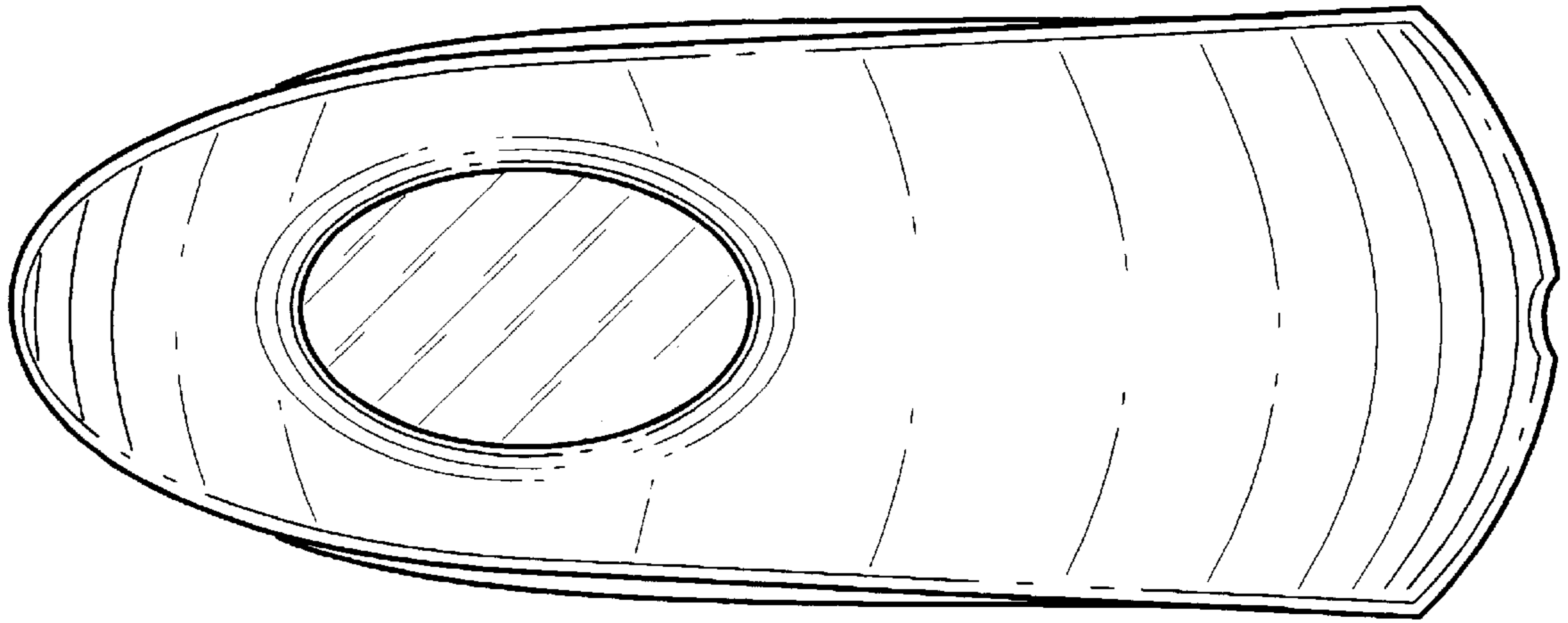


FIG. 5

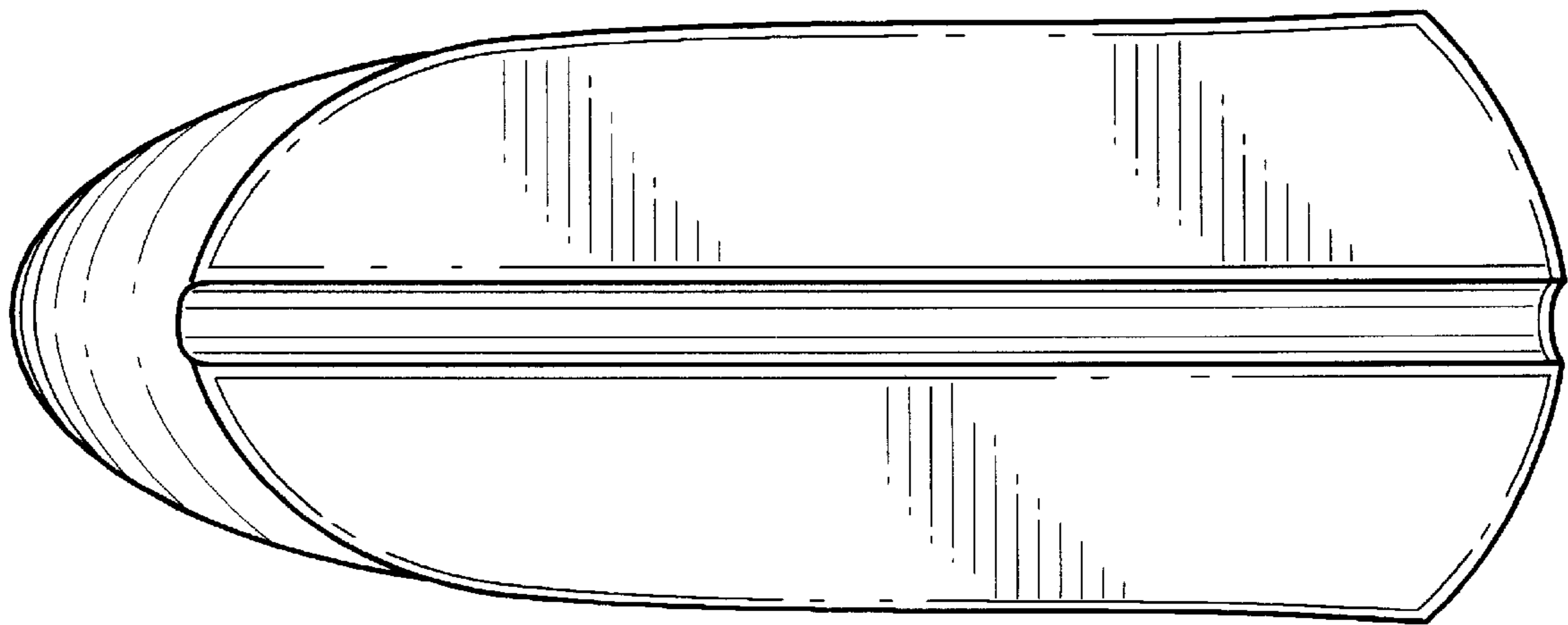


FIG. 6