



US00D404666S

United States Patent [19] Wrisley

[11] **Patent Number: Des. 404,666**

[45] **Date of Patent: **Jan. 26, 1999**

[54] **RAISED DISPLAY BEZEL FOR A HAND-HELD ELECTRONIC MEASUREMENT INSTRUMENT**

[75] Inventor: **Jerry L. Wrisley**, Beaverton, Oreg.

[73] Assignee: **Tektronix, Inc.**, Wilsonville, Oreg.

[**] Term: **14 Years**

[21] Appl. No.: **82,440**

[22] Filed: **Jan. 22, 1998**

[51] **LOC (6) Cl.** **10-04**

[52] **U.S. Cl.** **D10/78**

[58] **Field of Search** D10/78; 324/72.5, 324/110, 114, 115, 151 R, 156, 158 F

[56] **References Cited**

U.S. PATENT DOCUMENTS

D. 280,299	8/1985	Nelson	D10/40
D. 282,532	2/1986	Brown	D10/78
D. 314,715	2/1991	Nelson	D10/78
D. 352,251	11/1994	Ketterer	D10/78
D. 365,031	12/1995	Kim	D10/78
D. 365,527	12/1995	Peterson	D10/78
D. 365,996	1/1996	Peterson	D10/78
D. 381,280	7/1997	Tomiyama et al.	D10/78
D. 385,808	11/1997	Kim	D10/78

OTHER PUBLICATIONS

Tektronix, Inc. Test and Measurement Product Catalog 1993.
U.S. application No. 08/820,300, Lyford, filed Mar. 18, 1997.

Primary Examiner—Antoine Duval Davis
Attorney, Agent, or Firm—William K. Bucher

[57] **CLAIM**

The ornamental design for a raised display bezel for a hand-held electronic measurement instrument, as shown and described.

DESCRIPTION

FIG. 1 is a perspective view of a raised display bezel for a hand-held electronic measurement instrument showing my new design;

FIG. 2 front elevation view of the raised display bezel for a hand-held electronic measurement instrument showing in broken lines the environment in which the raised display bezel is used;

FIG. 3 is a left side elevation view having a mirrored right side elevation view of the raised display bezel for a hand-held electronic measurement instrument;

FIG. 4 is a top end elevation view of the raised display bezel for a hand-held electronic measurement instrument;

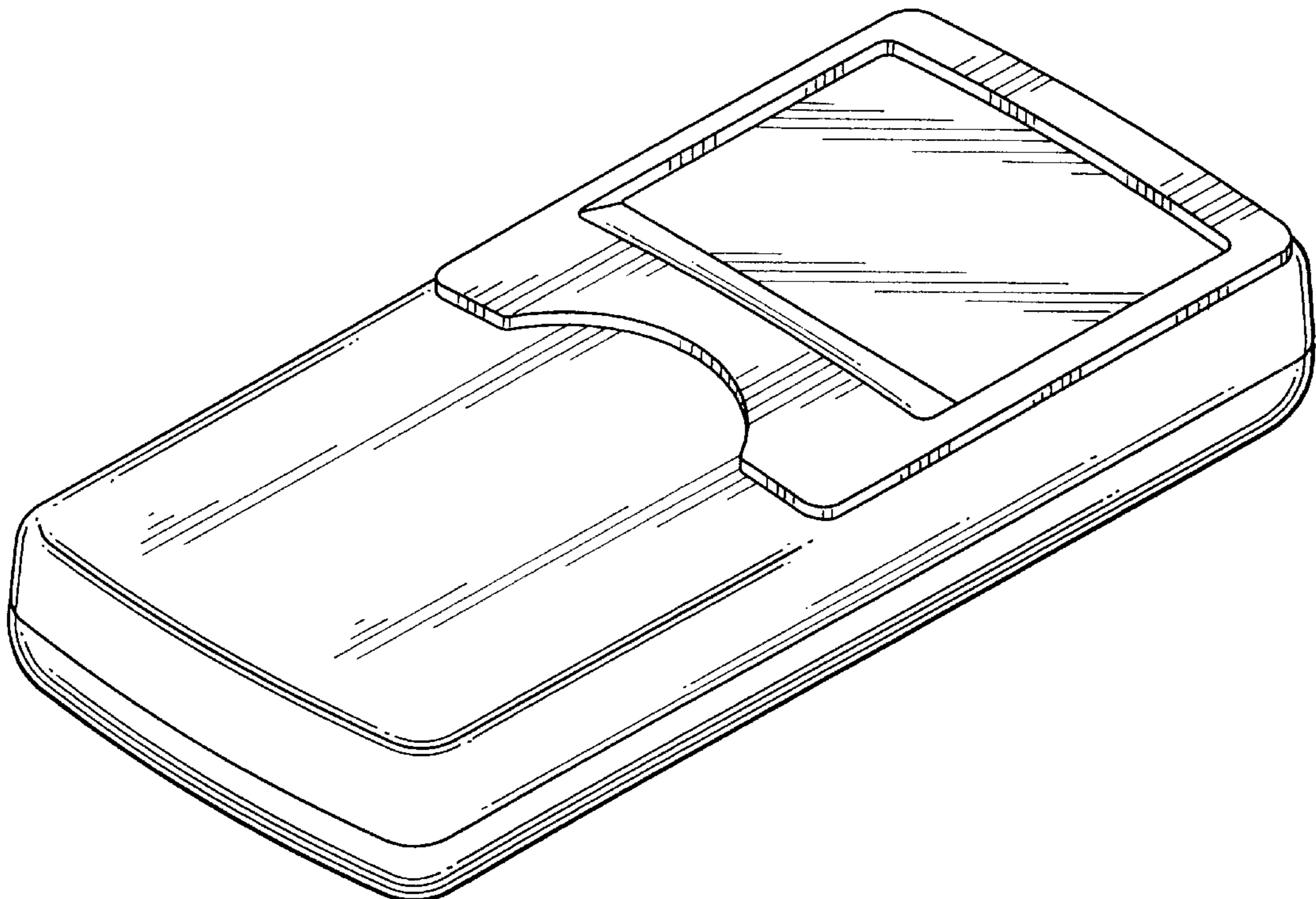
FIG. 5 is a back elevation view of the raised display bezel for a hand-held electronic measurement instrument;

FIG. 6 is a bottom end elevation view of the raised display bezel for a hand-held electronic measurement instrument; and,

FIG. 7 is a front elevation view of the raised display bezel for a hand-held electronic measurement instrument.

The broken line showing of buttons, knob, and connectors is for illustrative purposes only and forms no part of the claimed design.

1 Claim, 4 Drawing Sheets



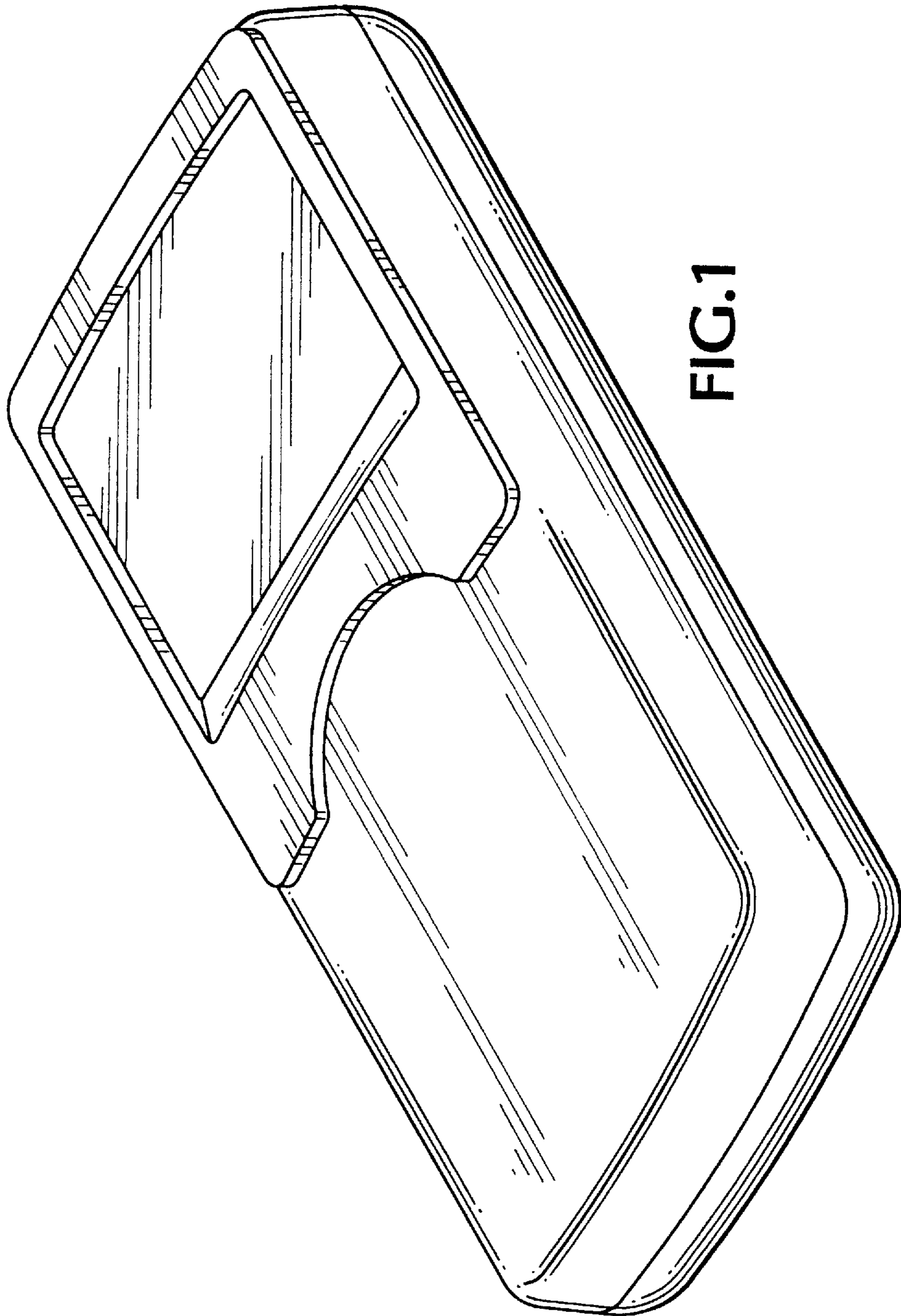


FIG. 1

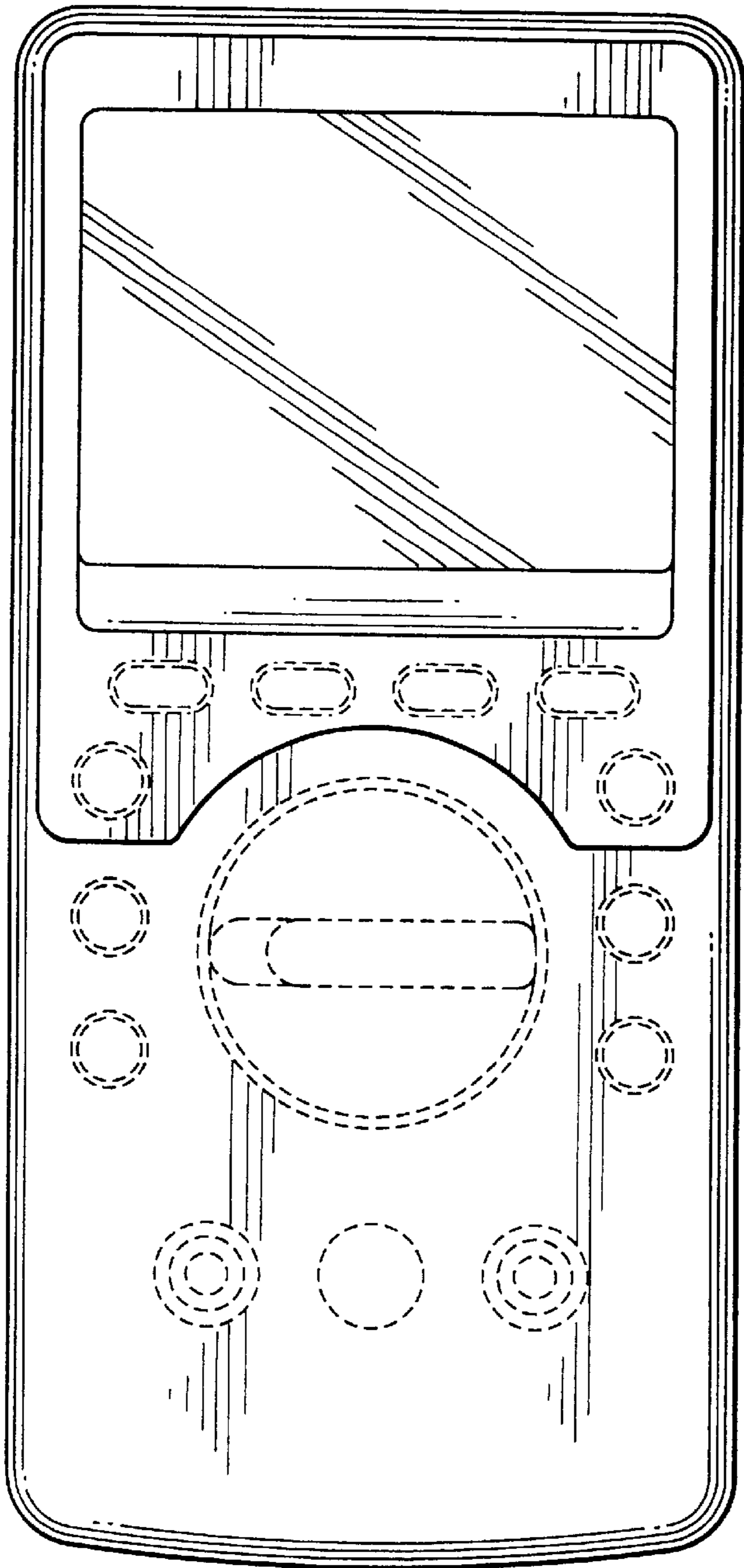


FIG. 2

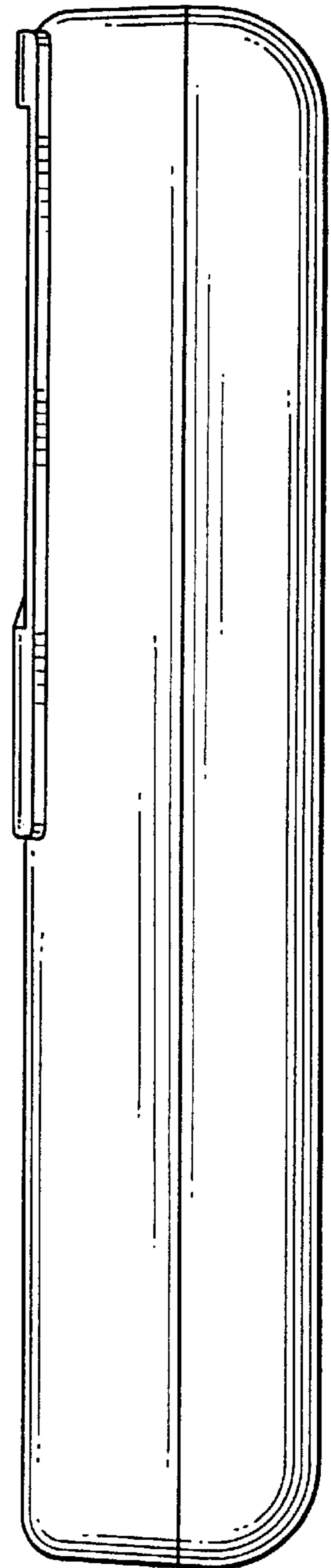


FIG. 3

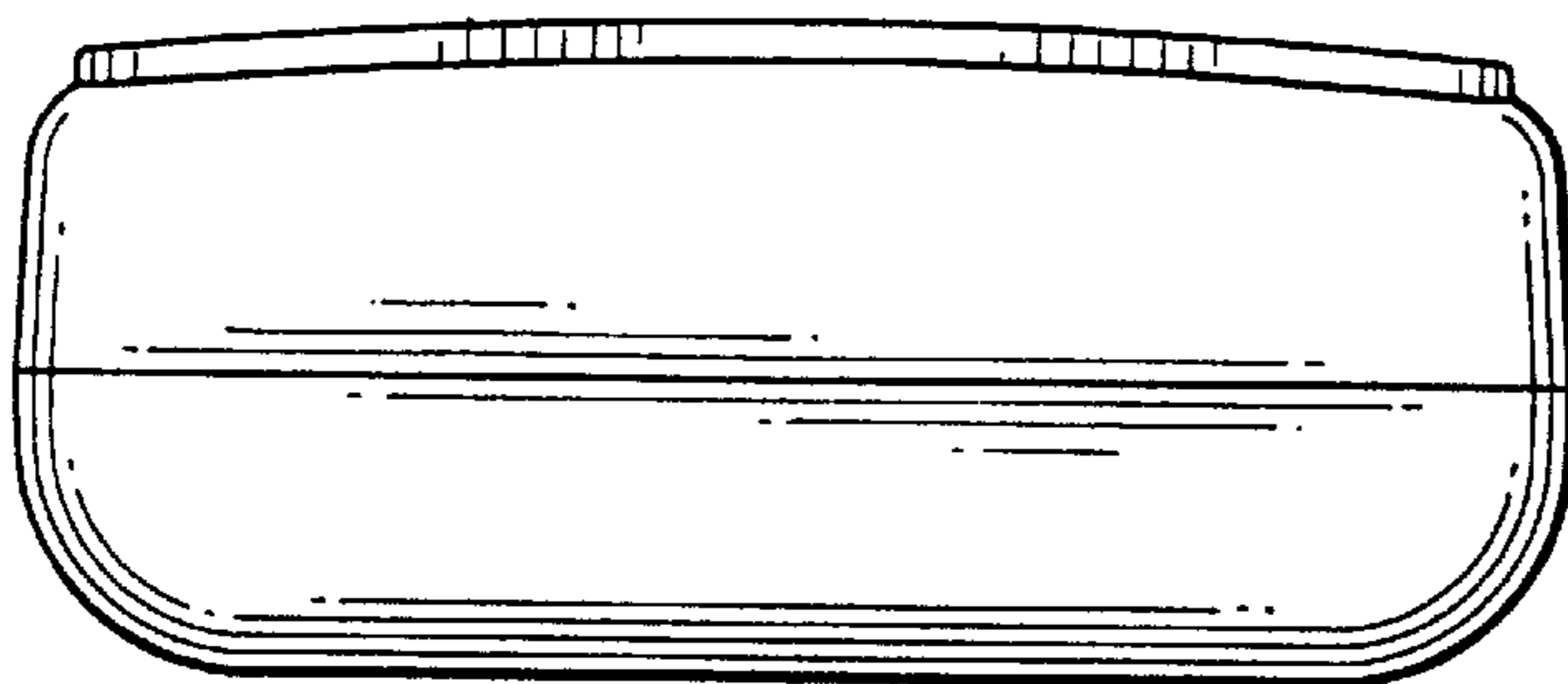


FIG. 4

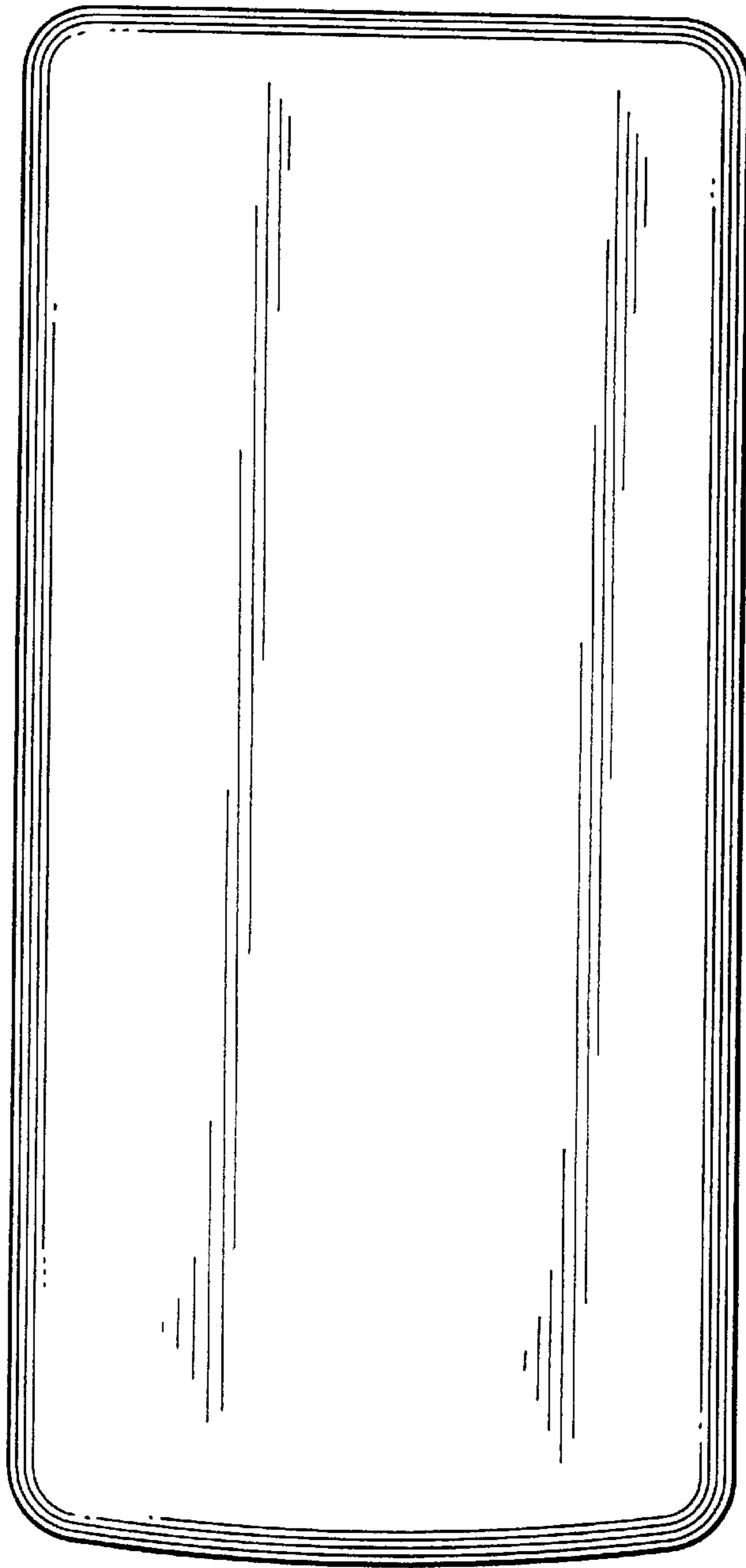


FIG. 5

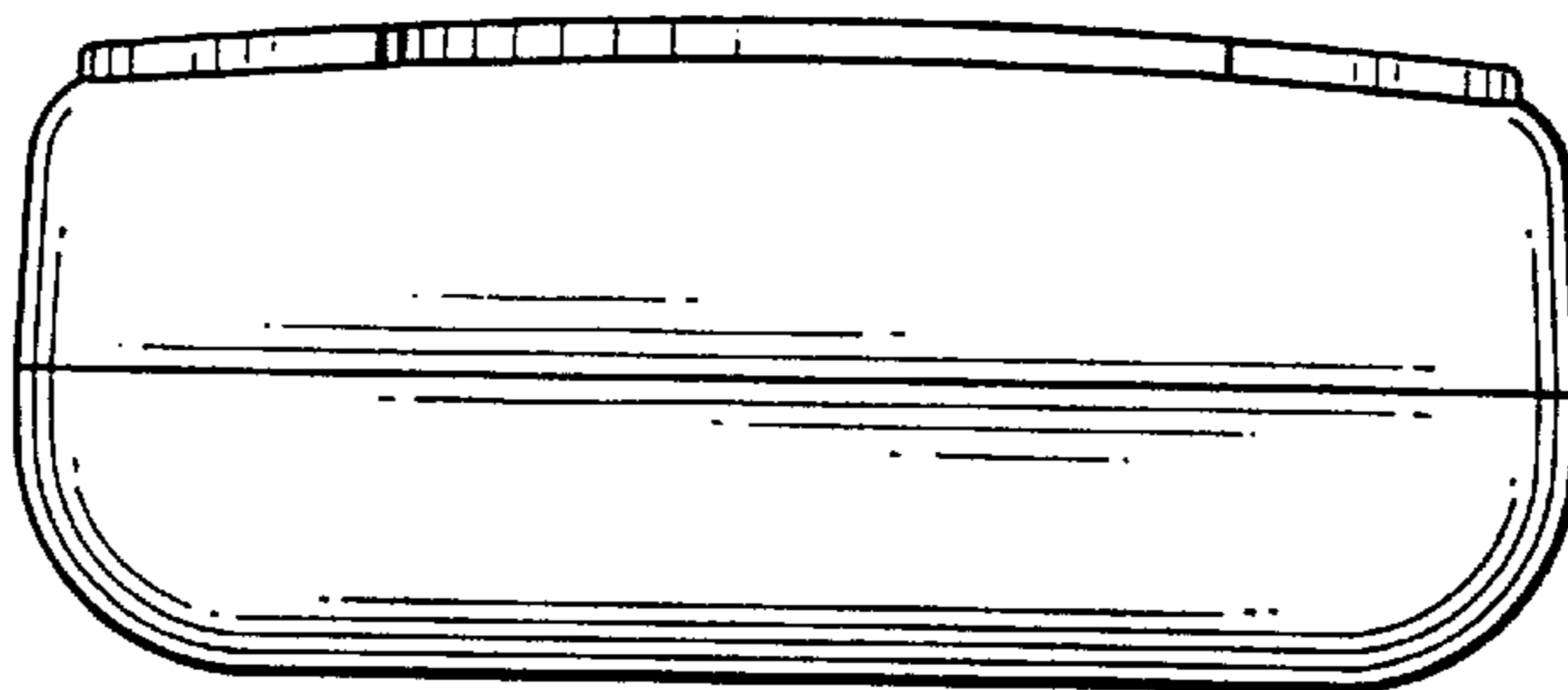


FIG. 6

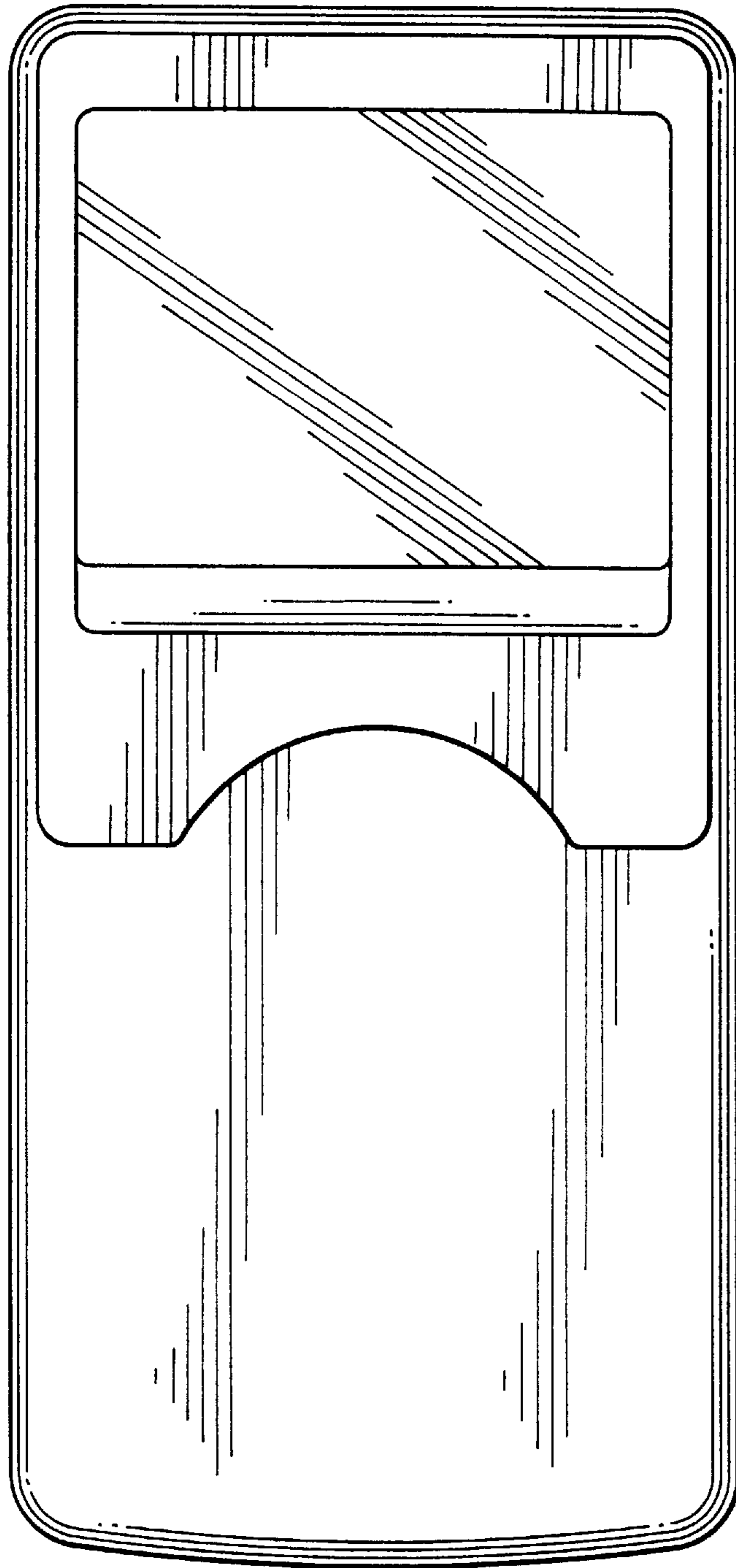


FIG.7