



US00D404663S

United States Patent [19]
Prindle

[11] **Patent Number: Des. 404,663**

[45] **Date of Patent: **Jan. 26, 1999**

[54] **MEASURING CUP**

[75] Inventor: **William Prindle**, Santa Barbara, Calif.

[73] Assignee: **Robinson Knife Company**, Buffalo, N.Y.

[**] Term: **14 Years**

[21] Appl. No.: **83,437**

[22] Filed: **Feb. 9, 1998**

[51] **LOC (6) Cl.** **10-04**

[52] **U.S. Cl.** **D10/46.2**

[58] **Field of Search** D10/46.2, 46.3;
D7/691, 692, 543-548; 30/324-328; 73/426-429

[56] **References Cited**

U.S. PATENT DOCUMENTS

- D. 304,537 11/1989 McCarroll D10/46.2
- D. 373,932 9/1996 Onngweer D7/543

Primary Examiner—Terry A. Wallace
Attorney, Agent, or Firm—Hedman, Gibson & Costigan, P.C.

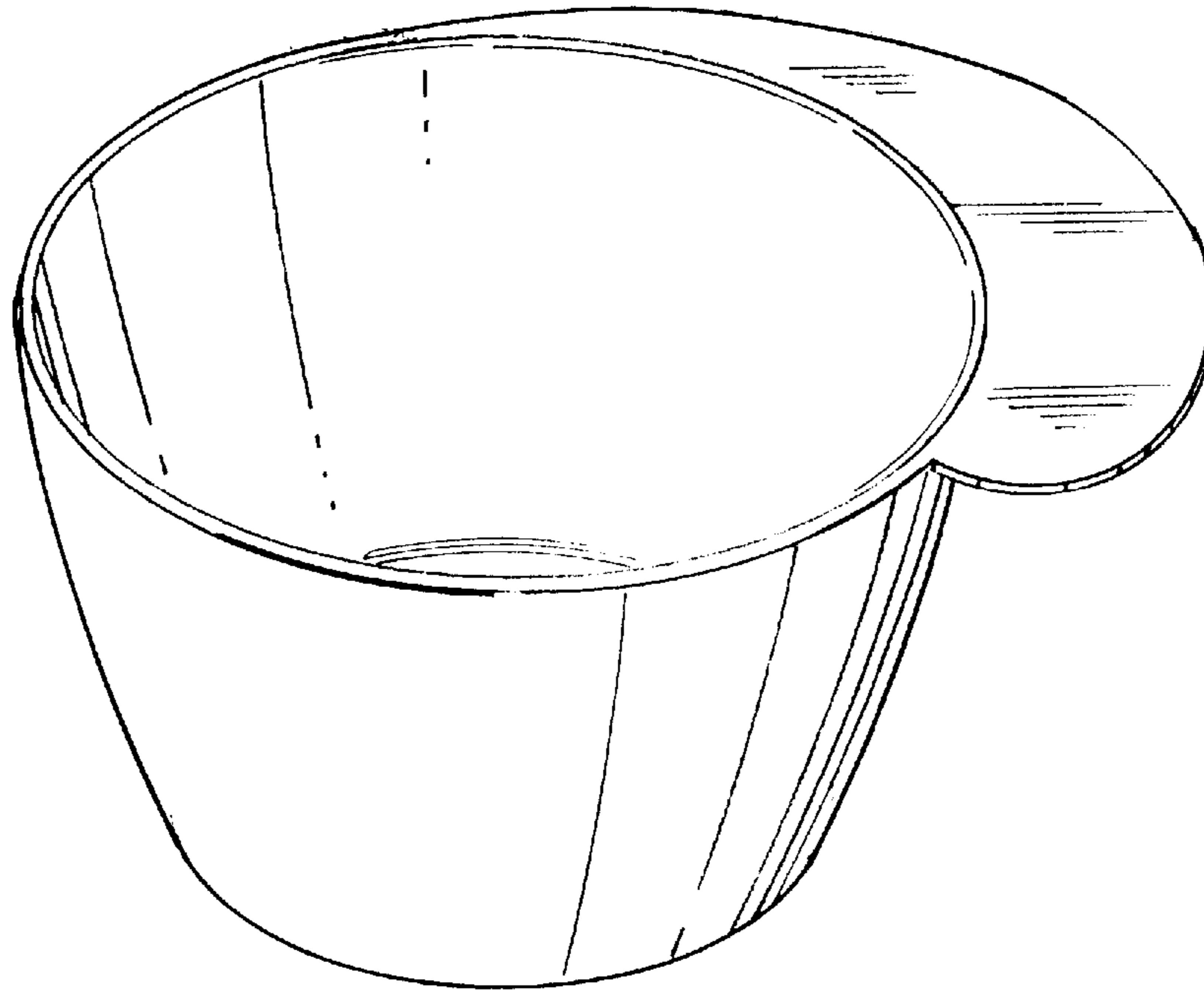
[57] **CLAIM**

The ornamental design for a measuring cup, as shown and described.

DESCRIPTION

FIG. 1 is a perspective view of the measuring cup of the present design;
 FIG. 2 is a front elevational view of the measuring cup of FIG. 1;
 FIG. 3 is a rear elevational view of the measuring cup of FIG. 1;
 FIG. 4 is a side elevational view of the measuring cup of FIG. 1;
 FIG. 5 is a top view of the measuring cup of FIG.1;
 FIG. 6 is a bottom view of the measuring cup of FIG. 1; and,
 FIG. 7 is a top plan view thereof.

1 Claim, 4 Drawing Sheets



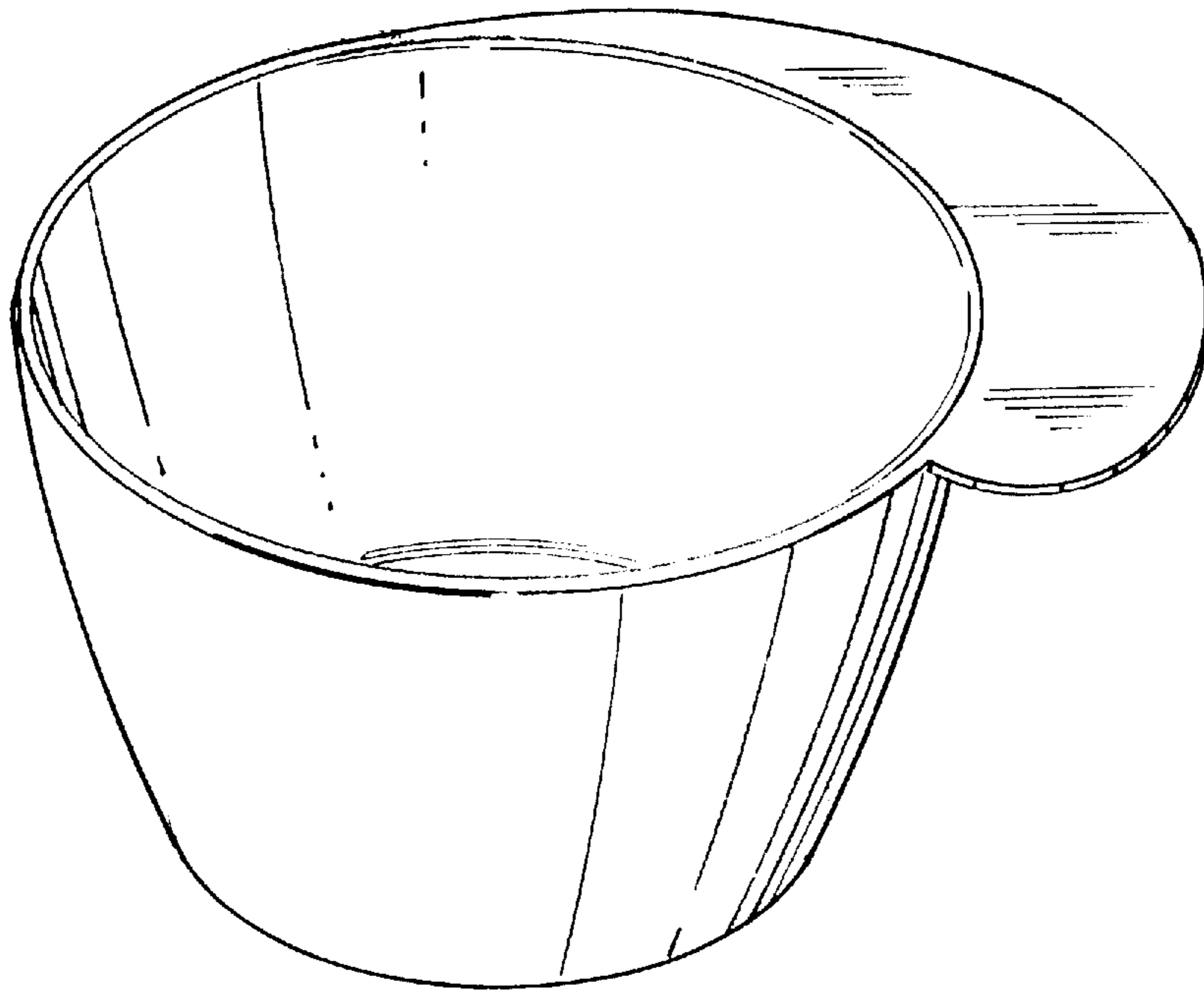


FIG. 1

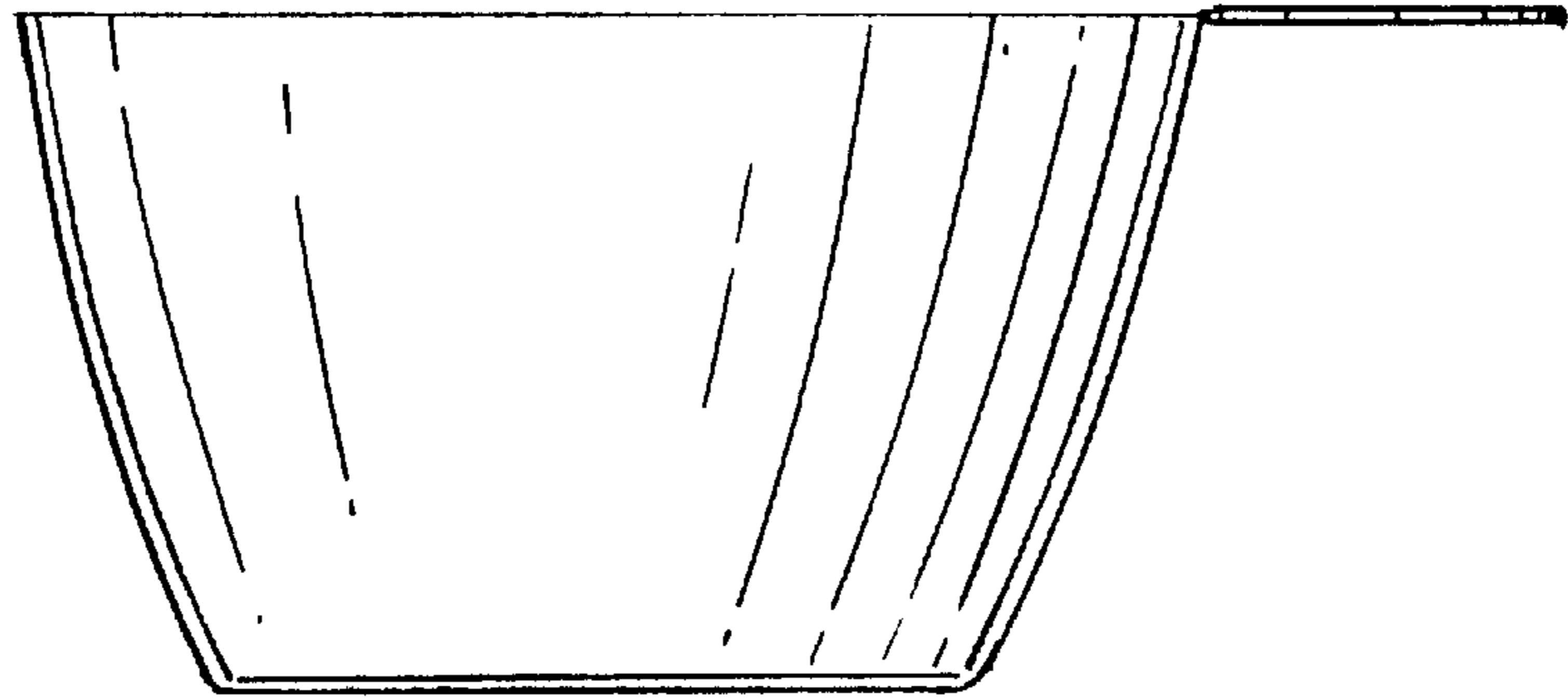


FIG. 2

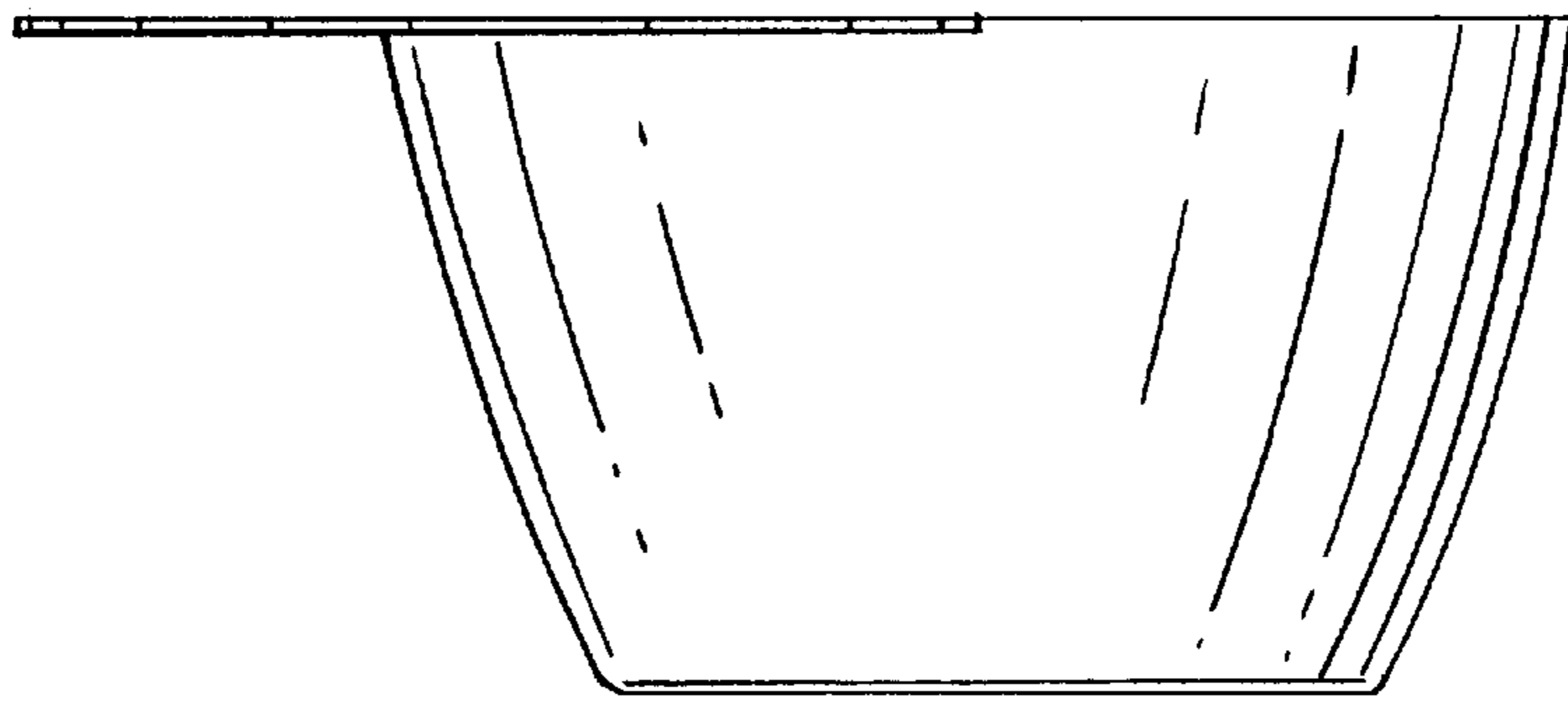


FIG. 3

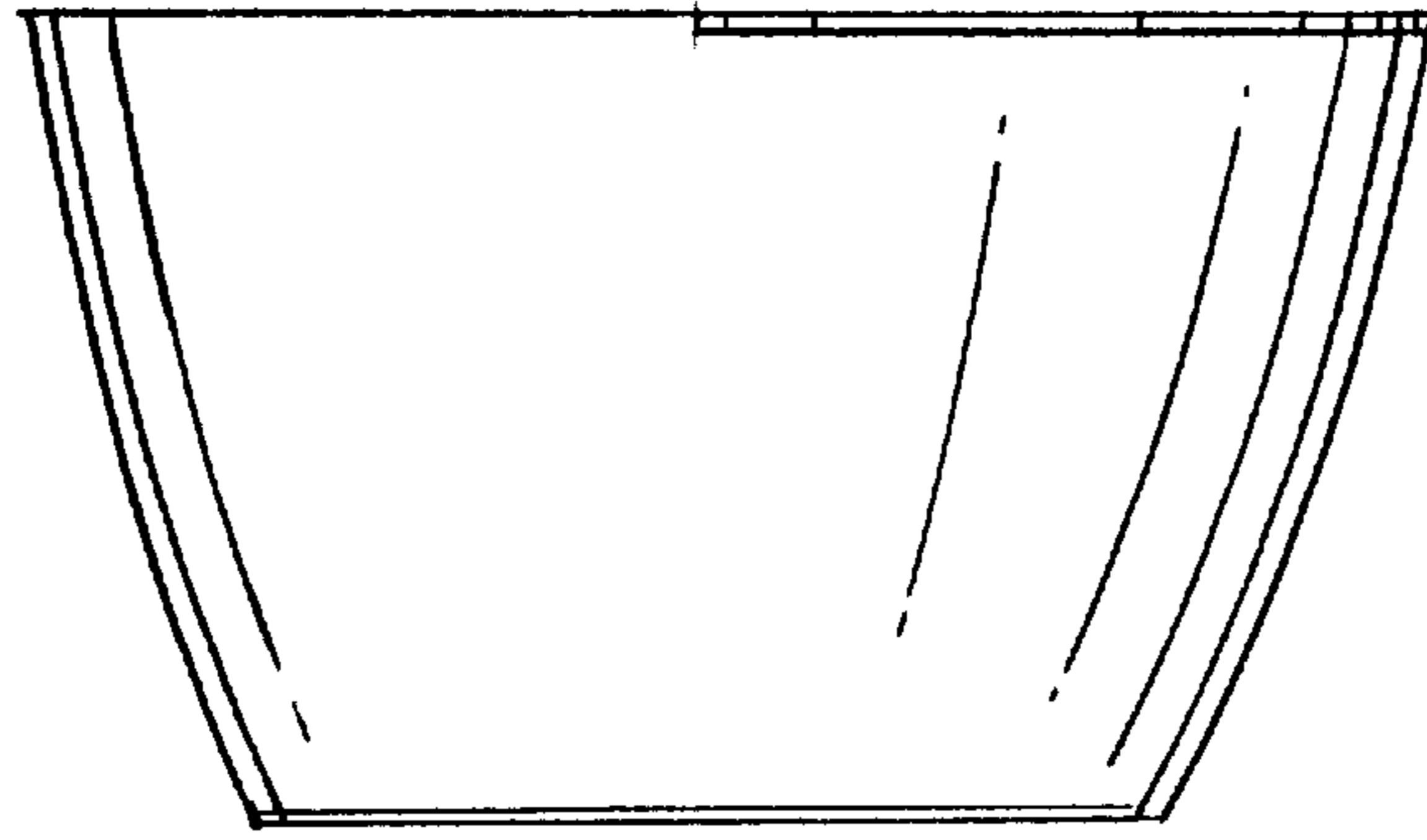


FIG. 4

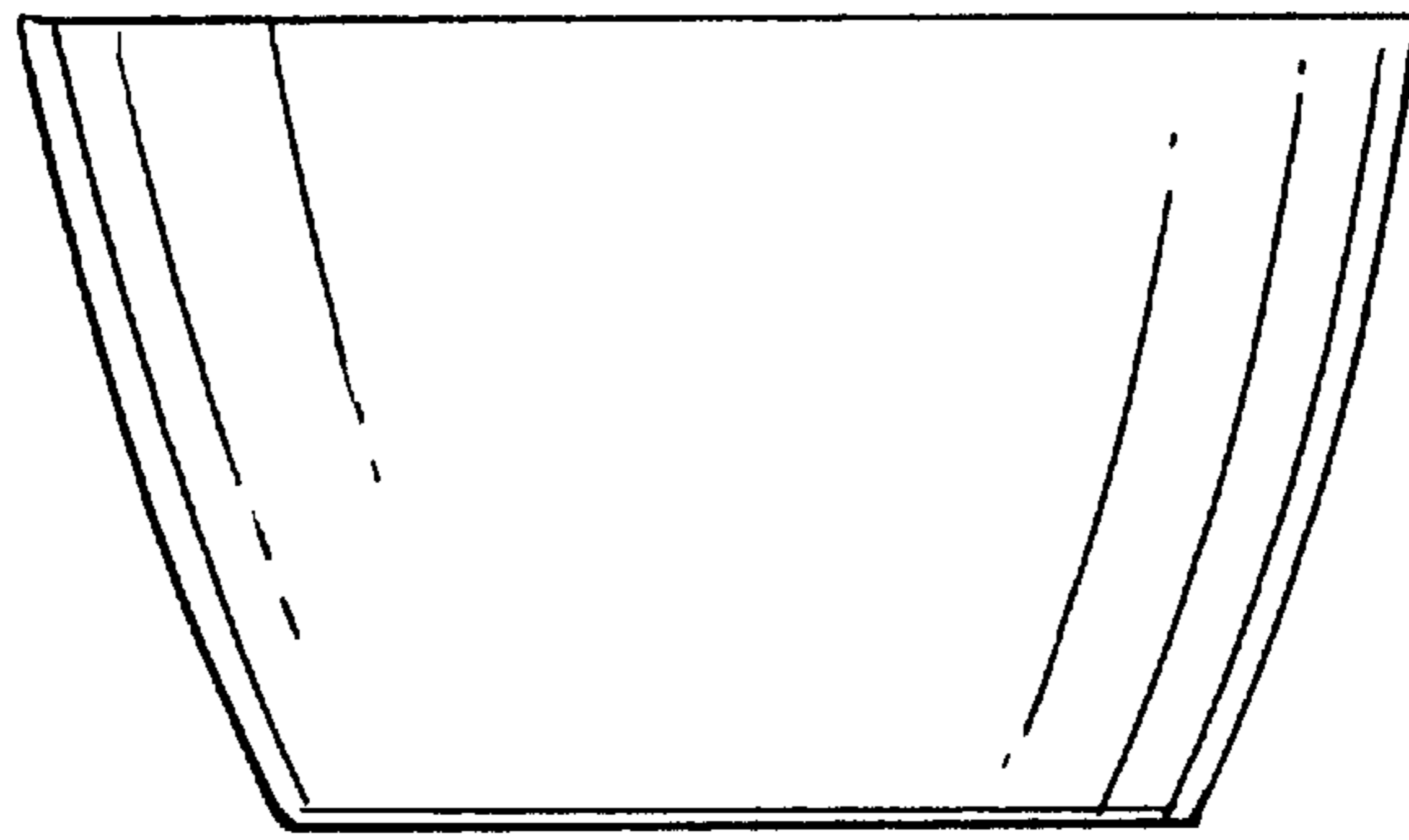


FIG. 5

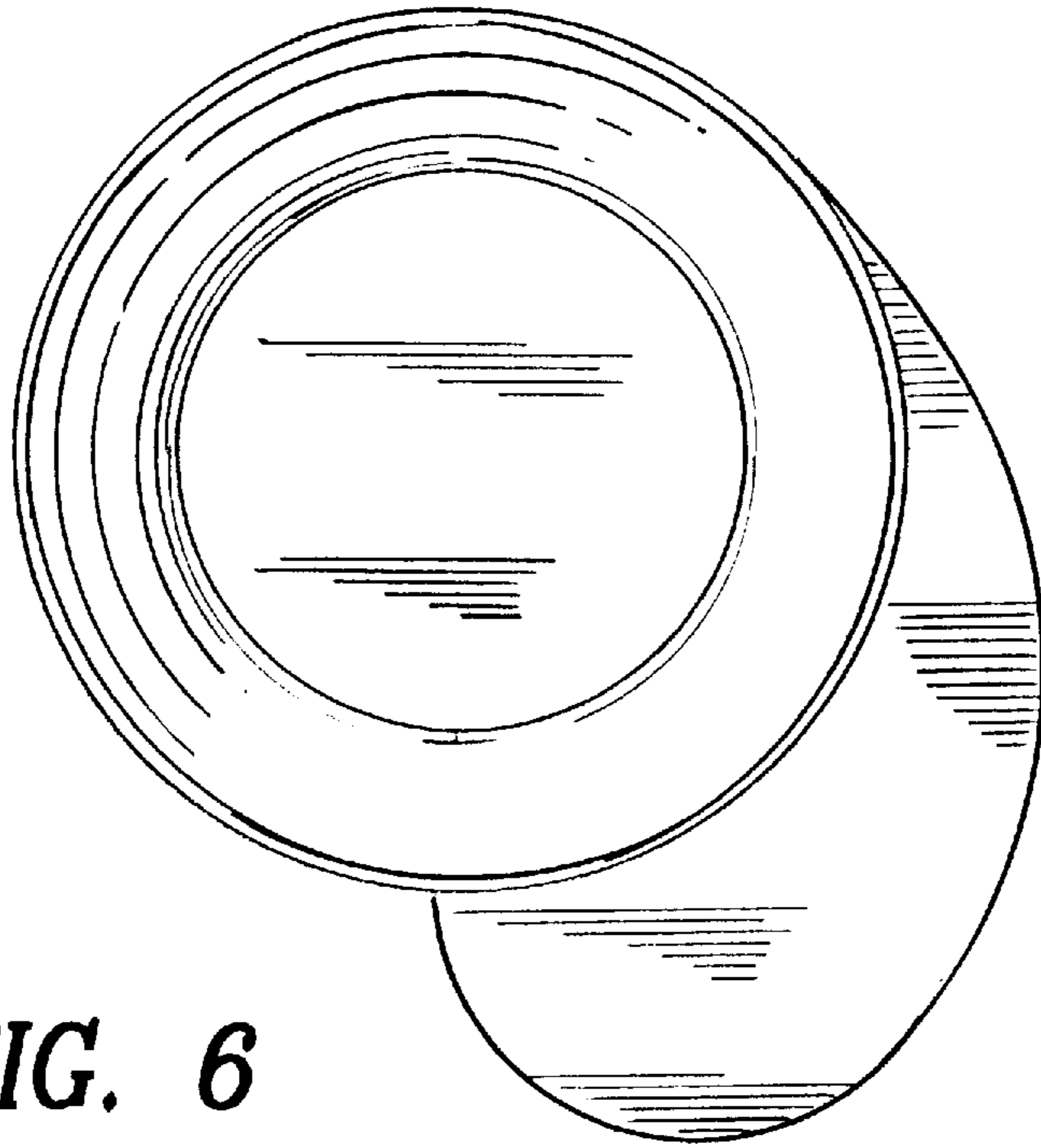


FIG. 6

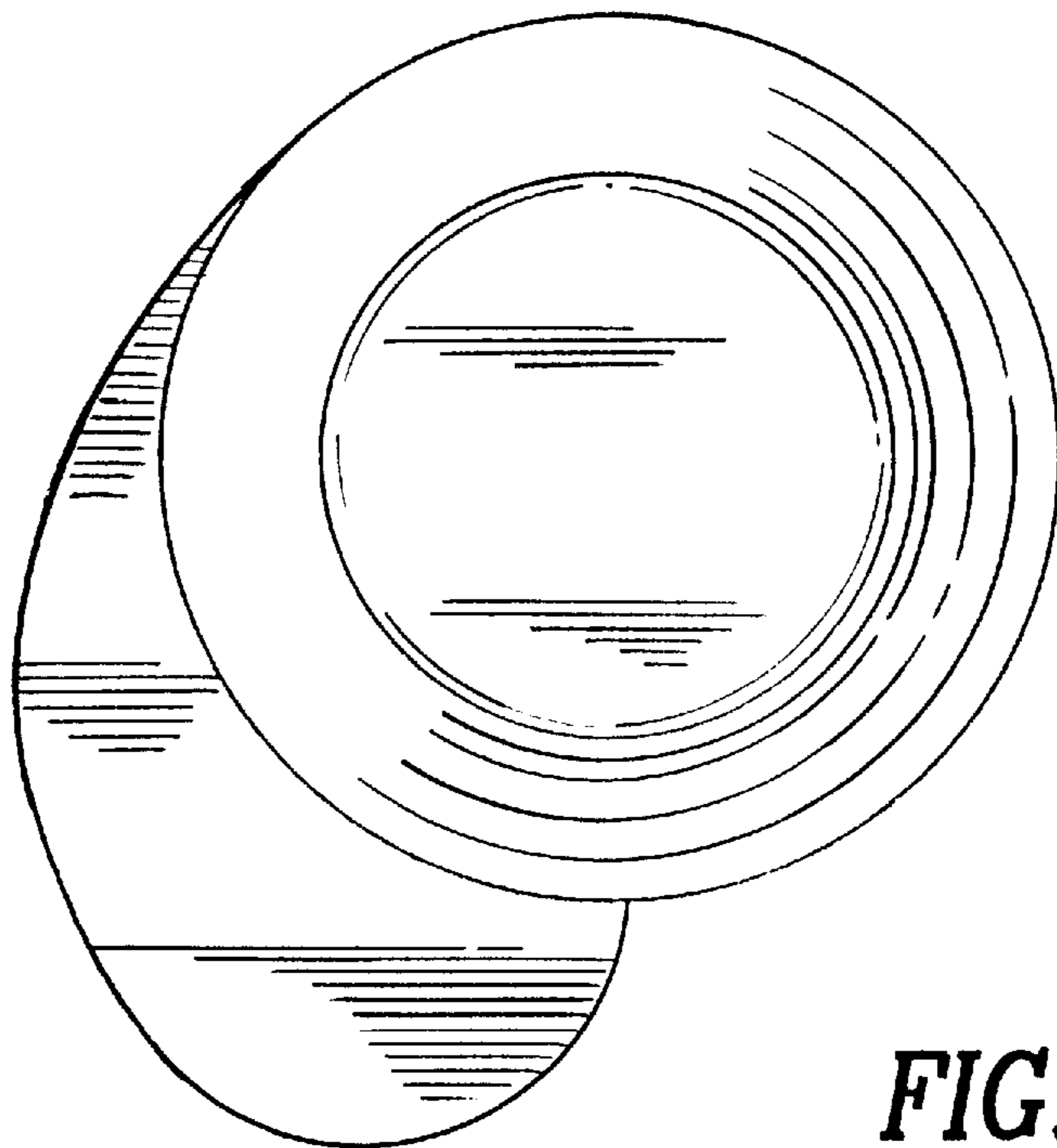


FIG. 7