



US00D404661S

United States Patent [19]

Yamamoto et al.

[11] **Patent Number: Des. 404,661**

[45] **Date of Patent: **Jan. 26, 1999**

[54] **WATCH CASE**

D. 394,393 5/1998 Kojima D10/30

[75] Inventors: **Yasushi Yamamoto**, Fussa; **Masao Wada**, Machida, both of Japan

Primary Examiner—Nelson C. Holtje
Attorney, Agent, or Firm—Frishauf, Holtz, Goodman, Langer & Chick

[73] Assignee: **Casio Keisanki Kabushiki Kaisha**, Tokyo, Japan

[57] CLAIM

[**] Term: **14 Years**

The ornamental design for watch case, as shown and described.

[21] Appl. No.: **86,436**

DESCRIPTION

[22] Filed: **Apr. 13, 1998**

FIG. 1 is a front elevational view of watch case showing our new design;

[51] **LOC (6) Cl.** **10-02**

FIG. 2 is a top plan view thereof;

[52] **U.S. Cl.** **D10/30; D10/38**

FIG. 3 is a right side elevational view thereof;

[58] **Field of Search** D10/1-40, 122-132;
368/280-282, 276-277, 28-30, 285, 239-242,
82-84, 41-44

FIG. 4 is a left side elevational view thereof;

FIG. 5 is a rear elevational view thereof;

FIG. 6 is a bottom plan view thereof; and,

FIG. 7 is a perspective view thereof.

[56] References Cited

U.S. PATENT DOCUMENTS

D. 378,198 2/1997 Tomita D10/38

1 Claim, 3 Drawing Sheets

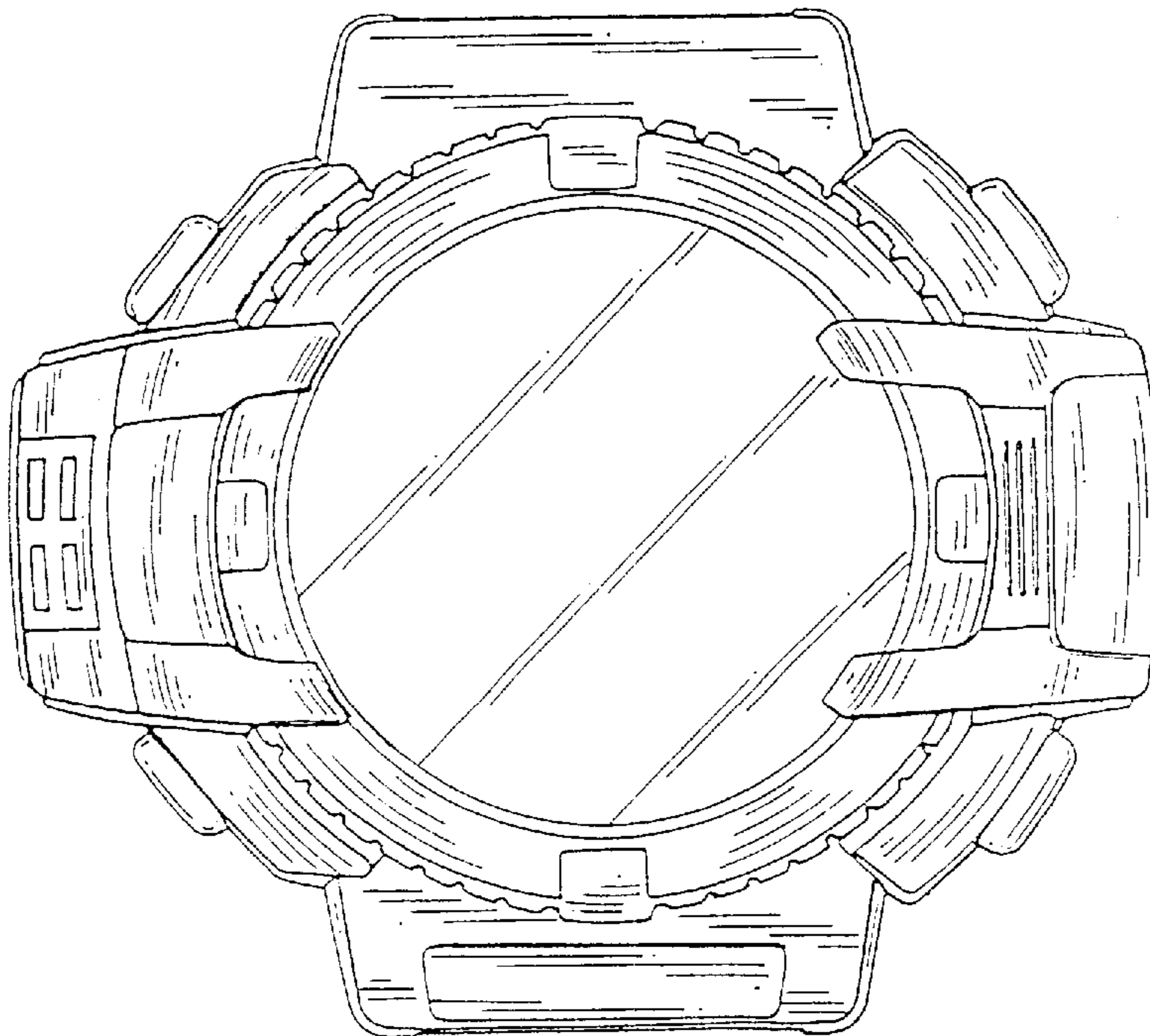


FIG.2

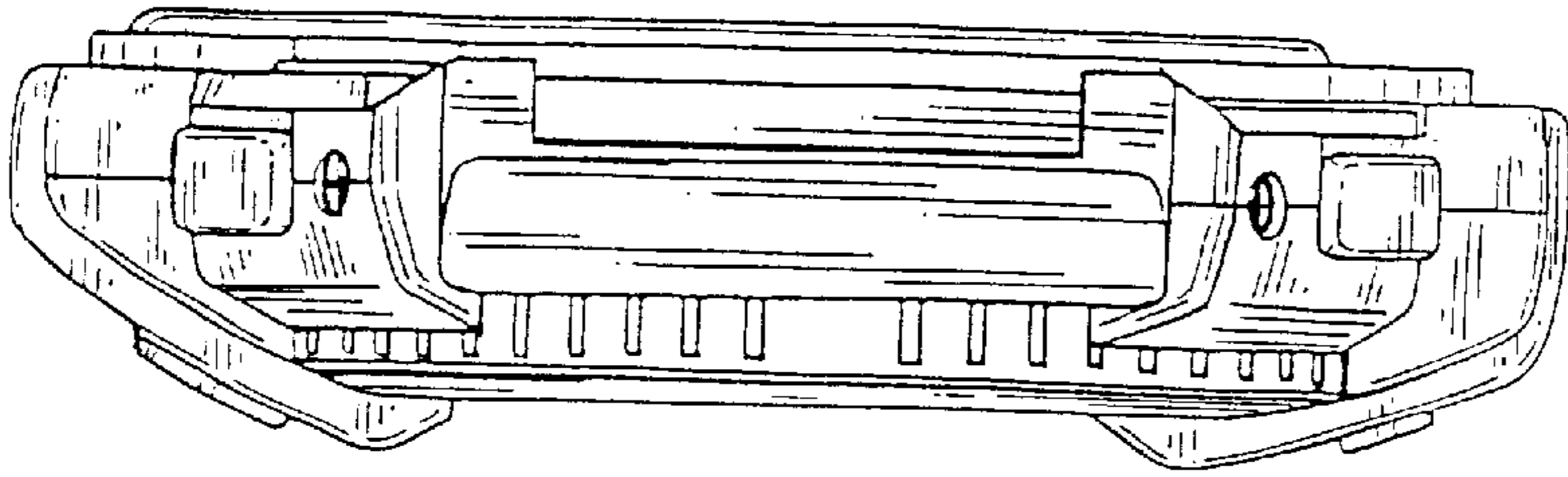


FIG.1

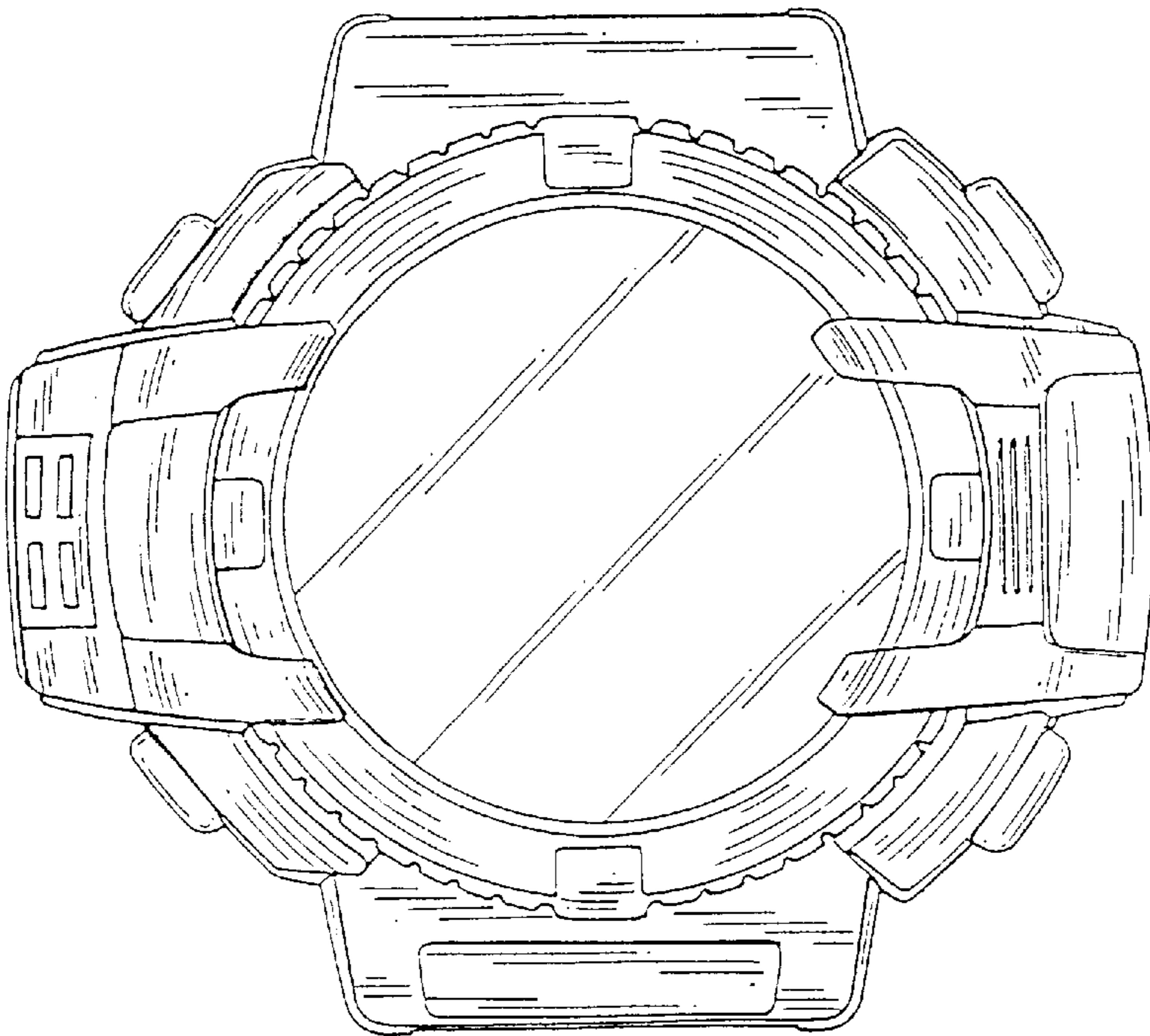


FIG.3

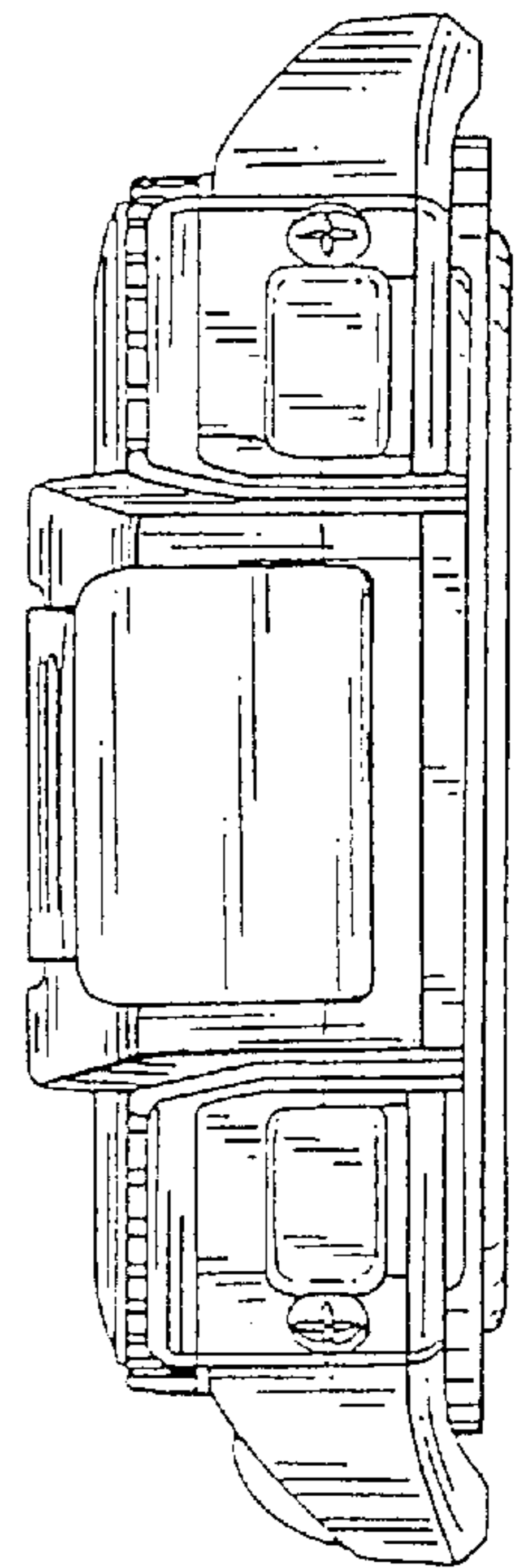


FIG.4

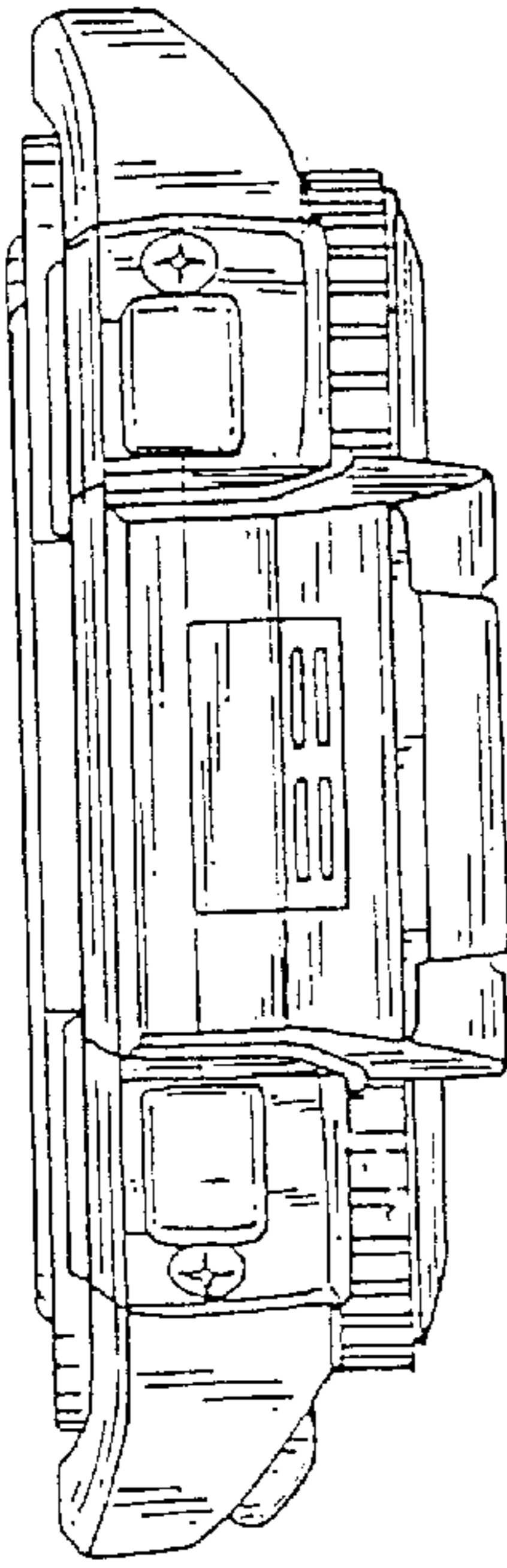


FIG.5

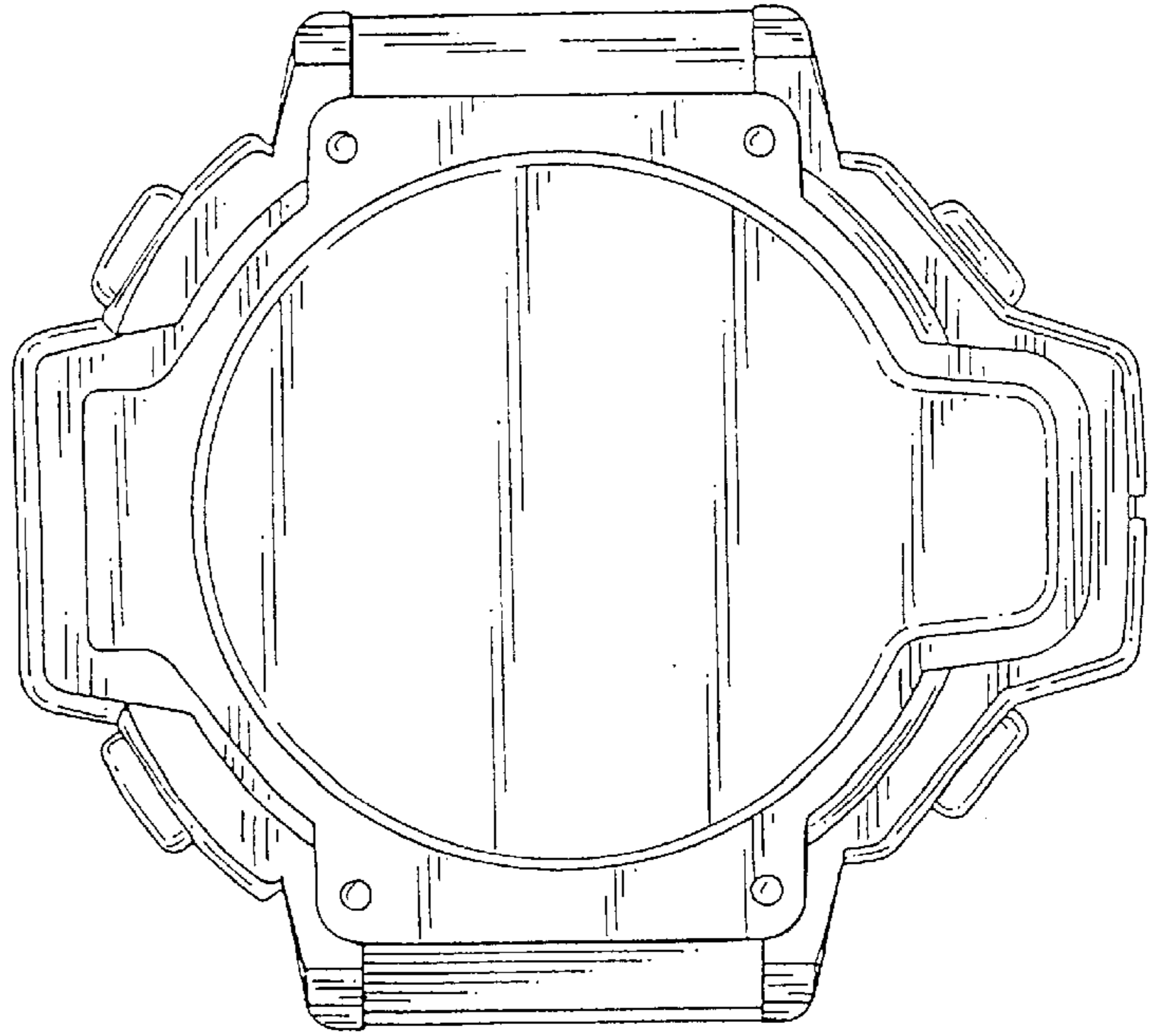


FIG.6

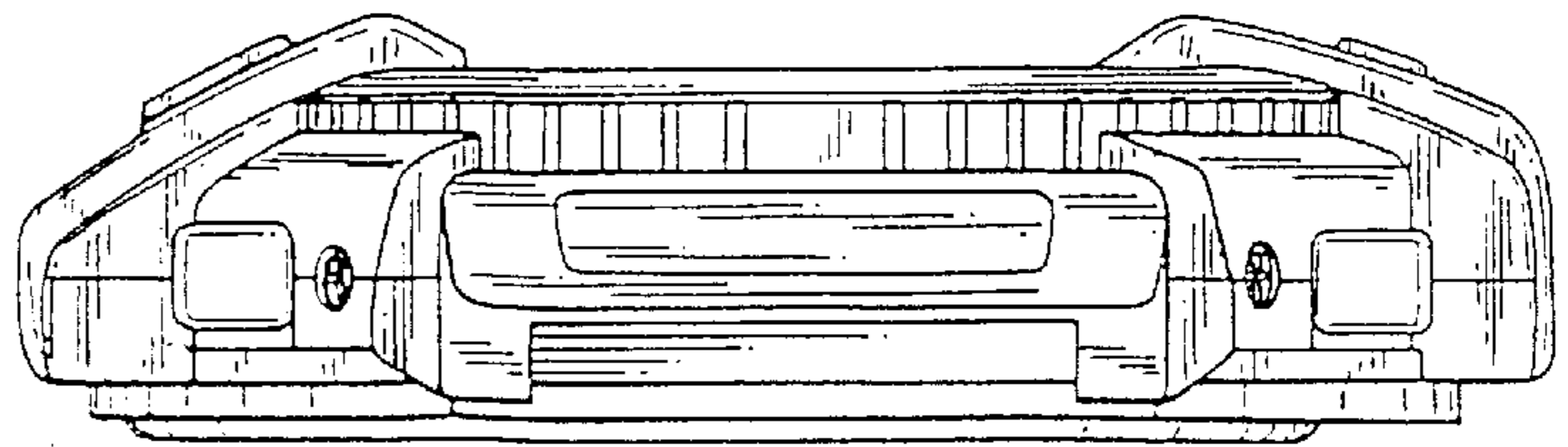


FIG.7

