



US00D404653S

# United States Patent [19]

Azegami et al.

[11] Patent Number: Des. 404,653

[45] Date of Patent: \*\*Jan. 26, 1999

[54] WATCHCASE

[75] Inventors: Hitoshi Azegami; Toshiaki Kume, both of Chiba, Japan

[73] Assignee: Seiko Instruments Inc., Japan

[\*\*] Term: 14 Years

[21] Appl. No.: 78,439

[22] Filed: Oct. 23, 1997

[51] LOC (6) Cl. .... 10-02

[52] U.S. Cl. .... D10/30; D10/38

[58] Field of Search ..... D10/1-40, 122-132; 368/280-282, 276-277, 28-30, 285, 239-242, 82, 84, 41-44

### [56] References Cited

#### U.S. PATENT DOCUMENTS

D. 237,784	11/1975	Crane	.....	D10/38
D. 244,086	4/1977	Lawrence	.....	D10/38
D. 245,674	9/1977	Sulek	.....	D10/38
D. 251,829	5/1979	Sulek	.....	D10/32
D. 255,224	6/1980	Sulek	.....	D10/38
D. 386,692	11/1997	Kume	.....	D10/30

D. 391,496	3/1998	Azegami	.....	D10/30
D. 391,497	3/1998	Kume	.....	D10/30
D. 391,498	3/1998	Kume	.....	D10/30

#### OTHER PUBLICATIONS

*Swiss Watch & Jewelry Journal*—Mar. 1977—p. 352—watches 5A+5B at lower-right.

*Primary Examiner*—Nelson C. Holtje  
*Attorney, Agent, or Firm*—Adams & Wilks

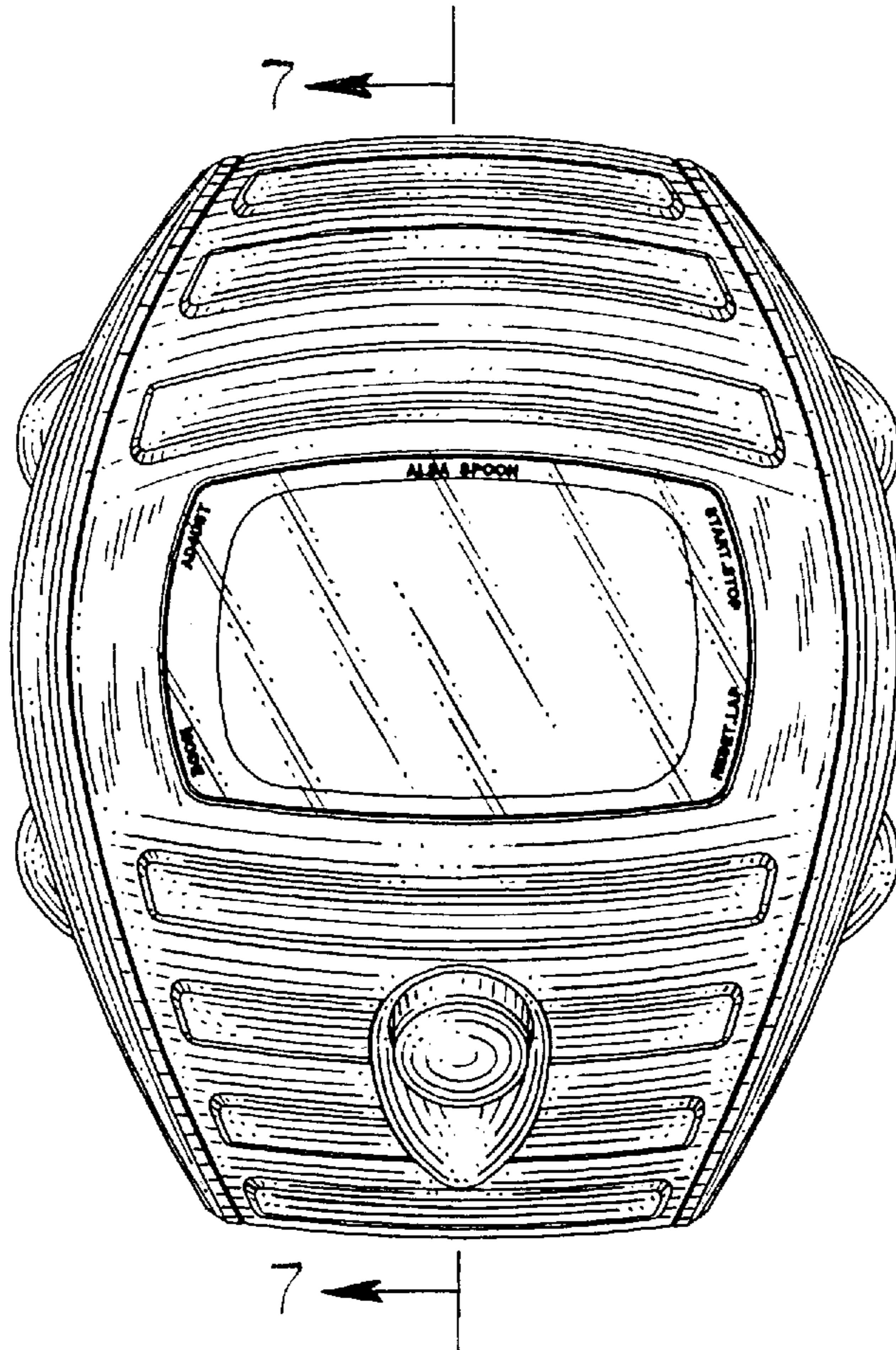
### [57] CLAIM

The ornamental design for a watchcase, as shown and described.

### DESCRIPTION

FIG. 1 is a front view of a watchcase showing our new design;  
FIG. 2 is a top plan view thereof;  
FIG. 3 is a left elevational view thereof;  
FIG. 4 is a right elevational view thereof;  
FIG. 5 is a rear view thereof;  
FIG. 6 is a bottom plan view thereof; and,  
FIG. 7 is a vertical cross-sectional view thereof taken along line 7—7 of FIG. 1.

1 Claim, 2 Drawing Sheets



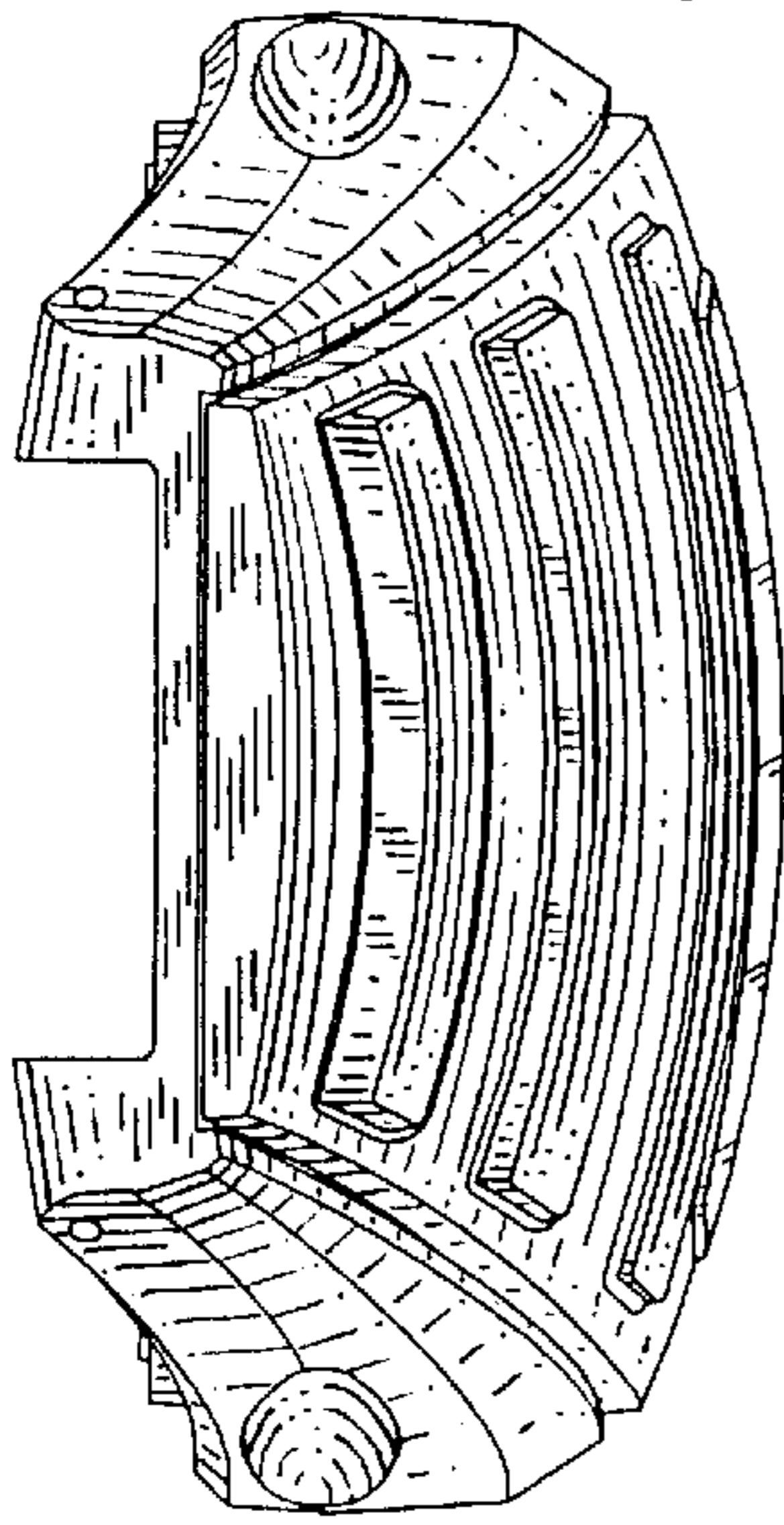


FIG. 2

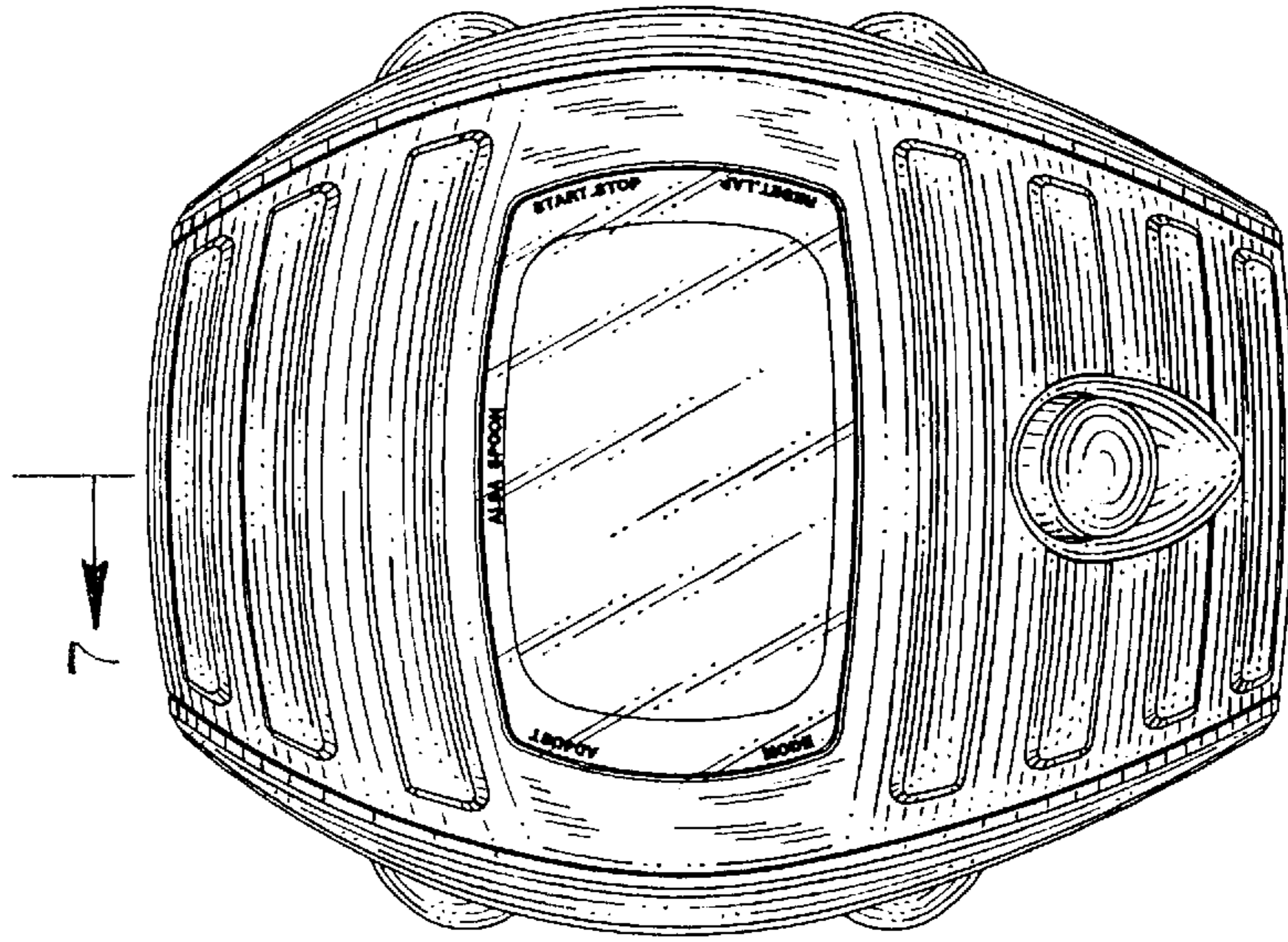


FIG. 1

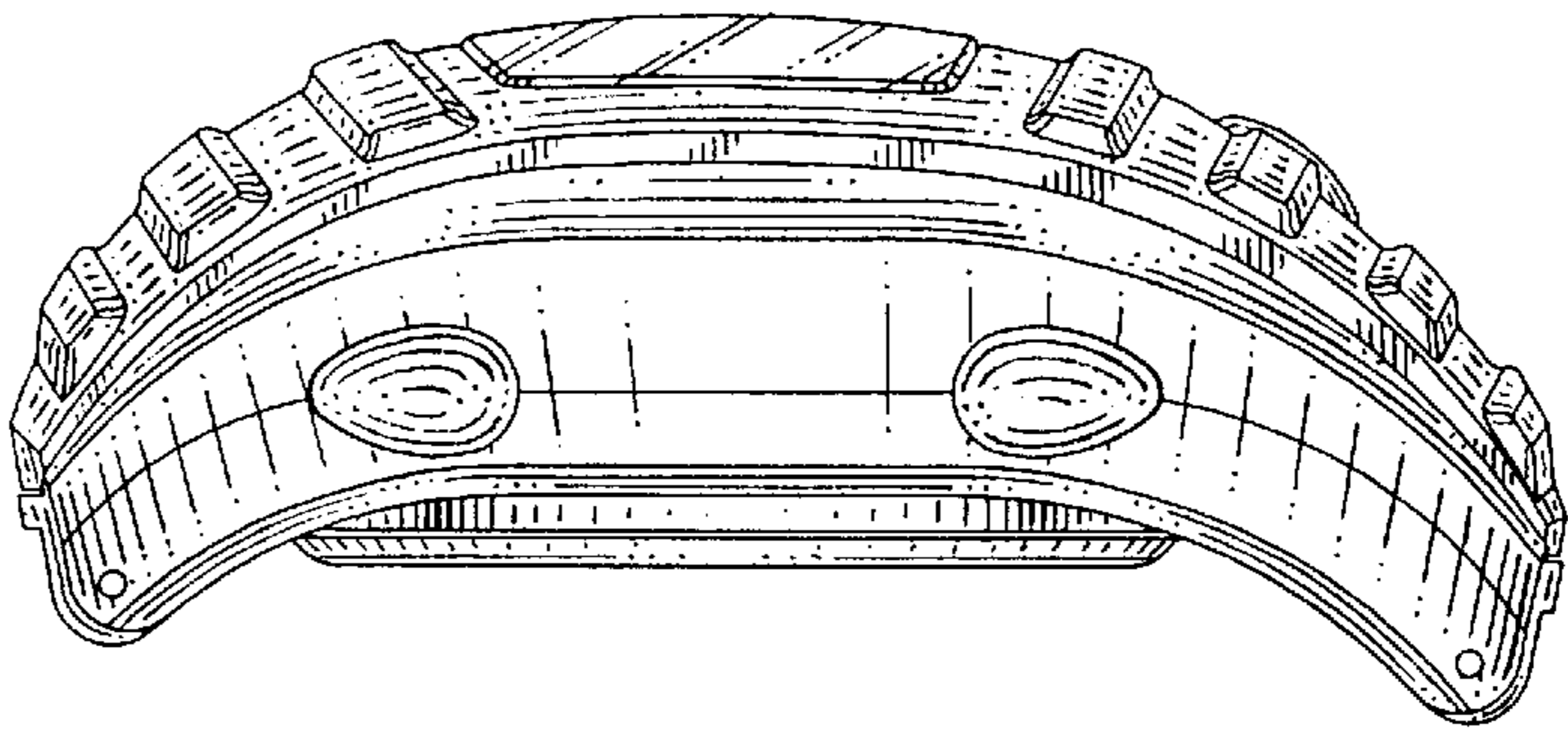


FIG. 3

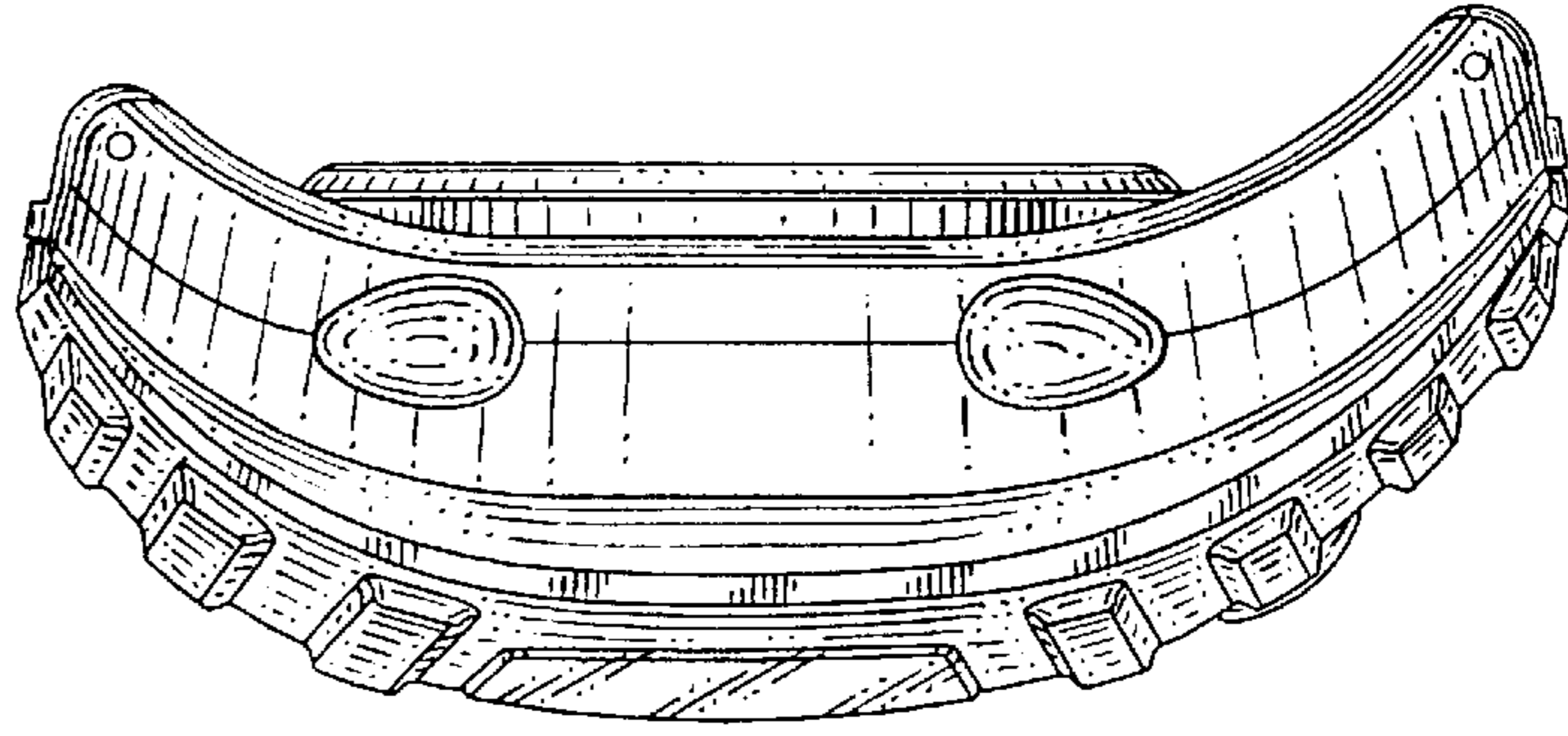


FIG. 4

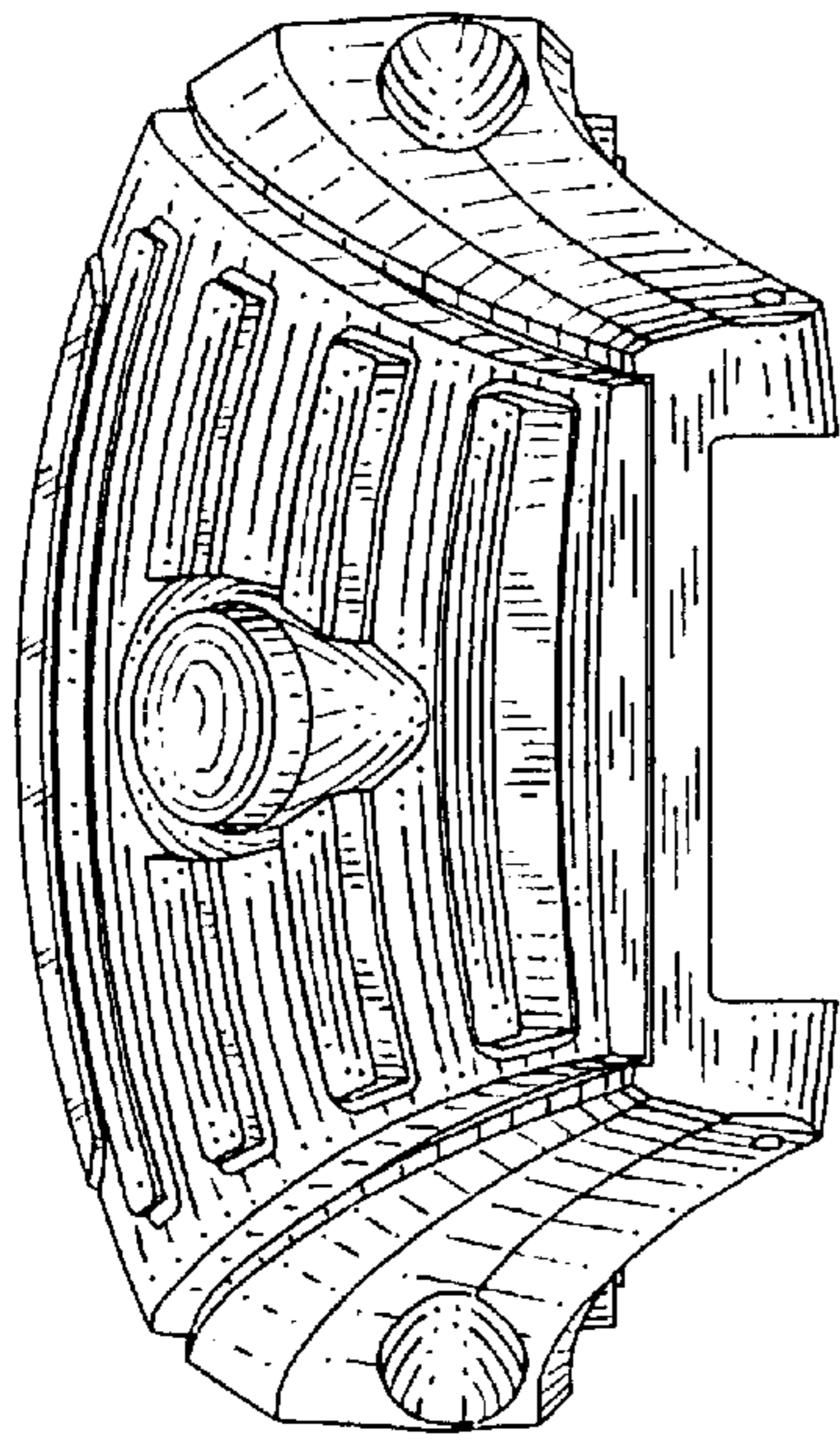


FIG. 6

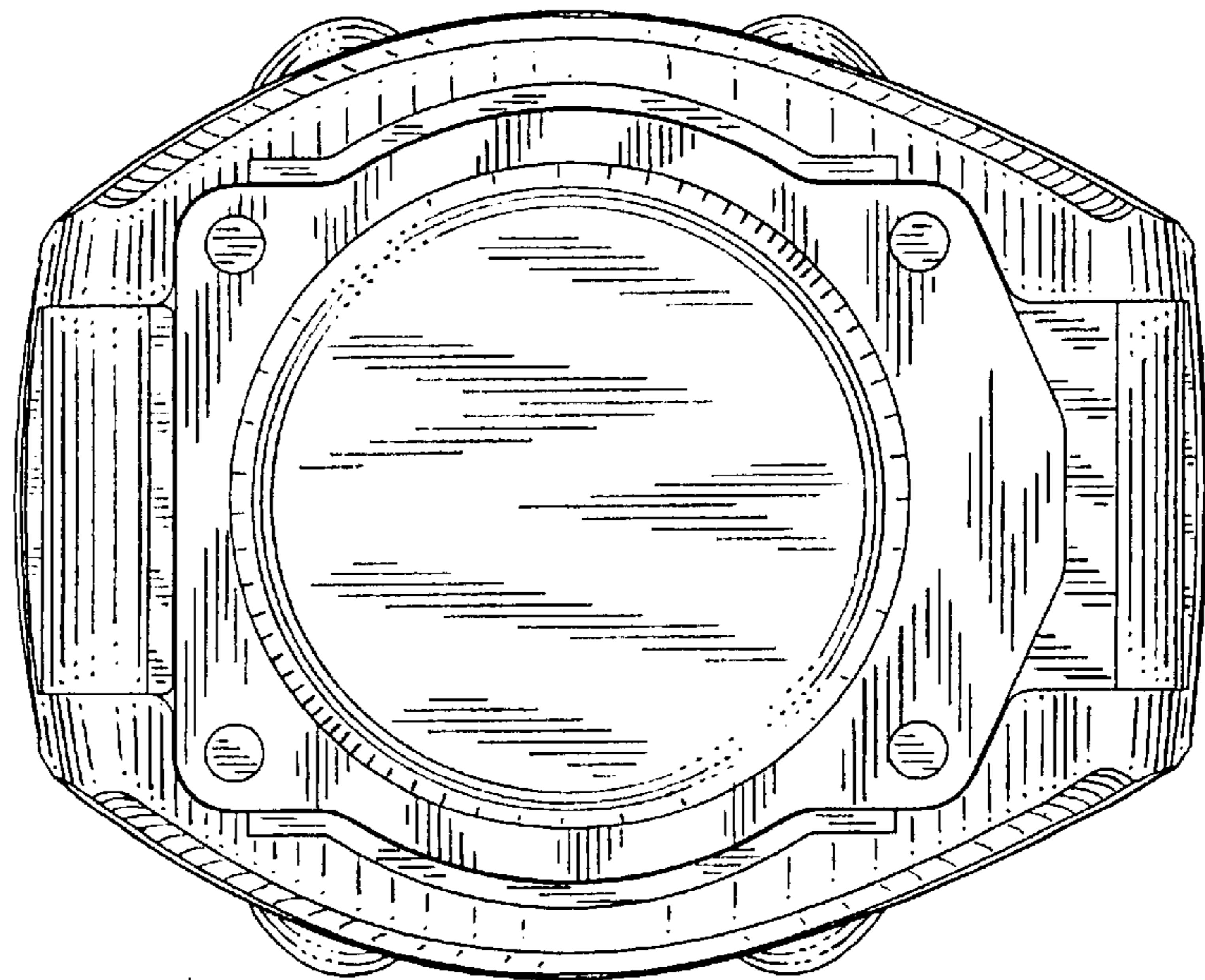


FIG. 5

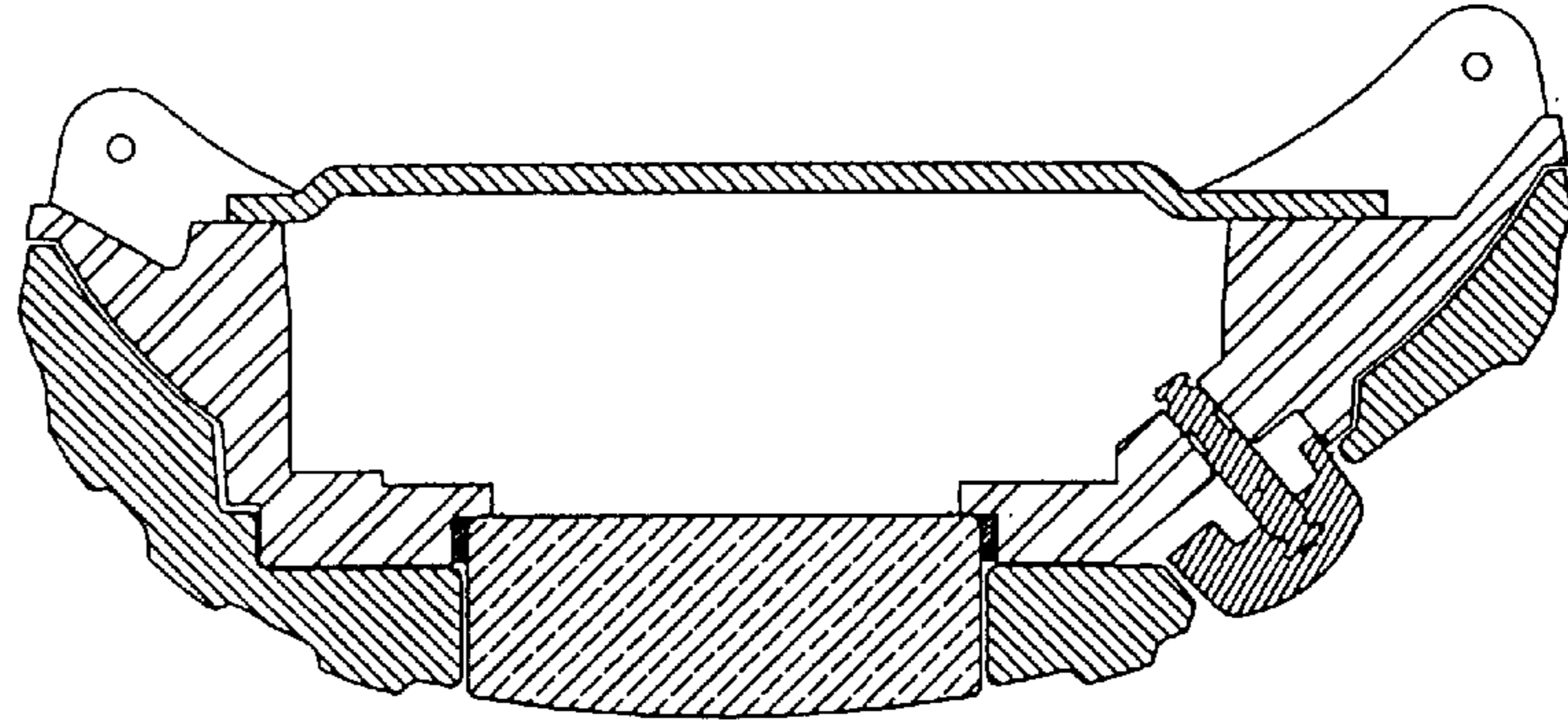


FIG. 7