



US00D404652S

# United States Patent [19]

[11] **Patent Number: Des. 404,652**

**Werginz**

[45] **Date of Patent: \*\*Jan. 26, 1999**

[54] **ORNAMENTAL DESIGN FOR A GOLF TEE  
OFF CLOCK CASE**

*Primary Examiner*—Nelson C. Holtje  
*Attorney, Agent, or Firm*—Robert T. Johnson

[76] Inventor: **Douglas J. Werginz**, S87 W24485  
Edgewood Ave., Big Bend, Wis. 53013

[57] **CLAIM**

[\*\*] Term: **14 Years**

I claim the ornamental design for golf tee off clock case, as shown and described.

[21] Appl. No.: **85,904**

**DESCRIPTION**

[22] Filed: **Apr. 1, 1998**

[51] **LOC (6) Cl.** ..... **10-01**

[52] **U.S. Cl.** ..... **D10/6; D10/23**

[58] **Field of Search** ..... D10/1-40, 122-132;  
368/276-277, 285, 316-317

FIG. 1 is a front perspective elevational view of the new and ornamental design for a golf tee off clock case, showing my new design;

FIG. 2 is a top plan view thereof and

FIG. 3 is a bottom plan view thereof;

FIG. 4 is a front elevational view thereof, and the back view is a mirror image of this front view; and,

FIG. 5 is a left side elevational view thereof, and the right side elevational view is a mirror image of the left side elevational view.

The broken line showings of a dial and hands are for illustrative purposes only and form no part of the claimed design.

[56] **References Cited**

**U.S. PATENT DOCUMENTS**

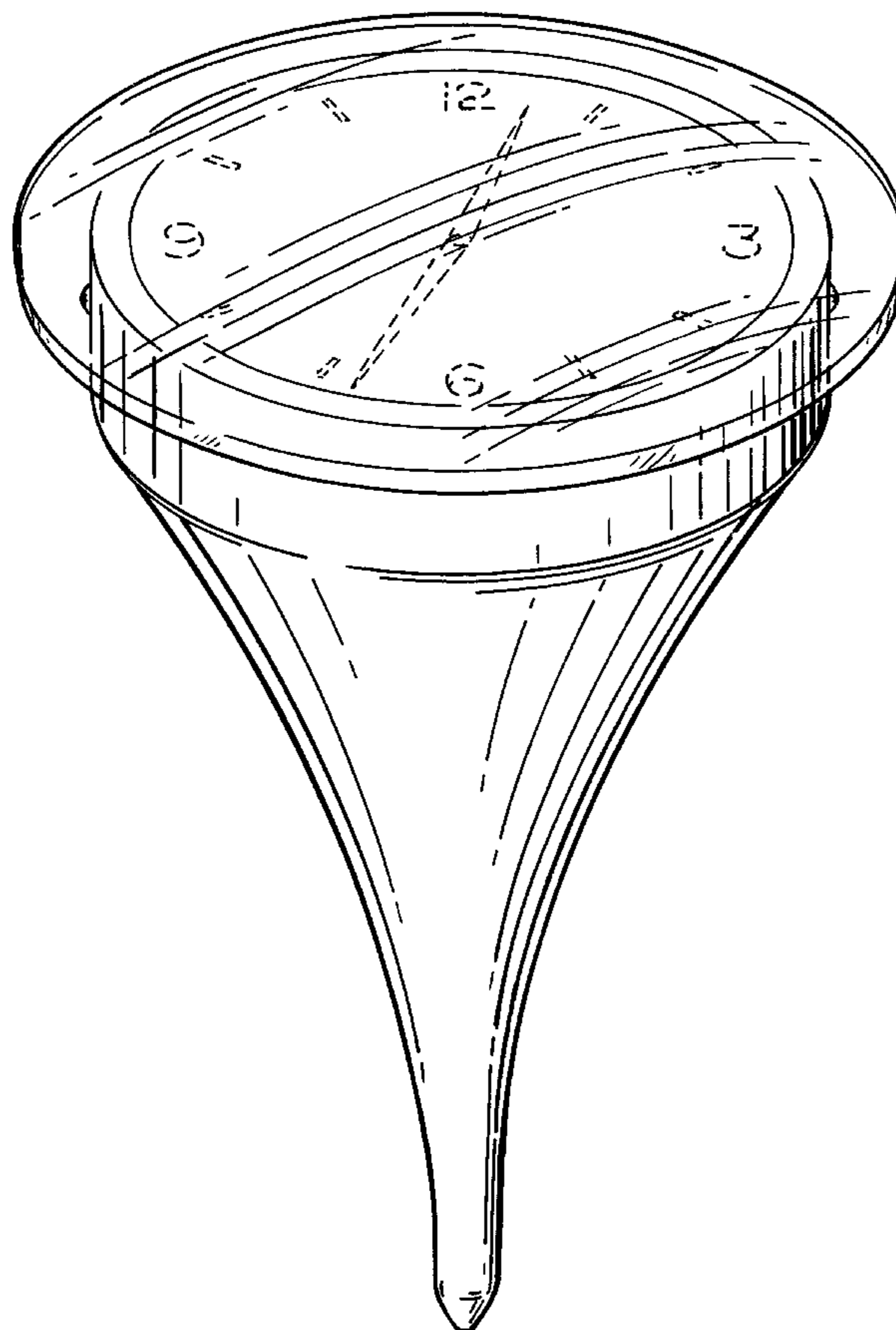
D. 282,912	3/1986	Clepea	.....	D10/6
D. 303,219	9/1989	Papaefstathion	.....	D10/6
D. 352,069	11/1994	Doolia	.....	D10/2 X
D. 354,004	1/1995	Brown	.....	D10/23
D. 376,630	12/1996	Bradford	.....	D21/208
4,162,071	7/1979	Fish	.....	273/33
5,224,700	7/1993	Rosen	.....	273/32 B

**OTHER PUBLICATIONS**

*Premium Practice*—Aug. 1967—p. 79—Golf Clock at right—top.

*Jeweler's Circular Keystone*—May 1965—p. 86—Clock at top.

**1 Claim, 5 Drawing Sheets**



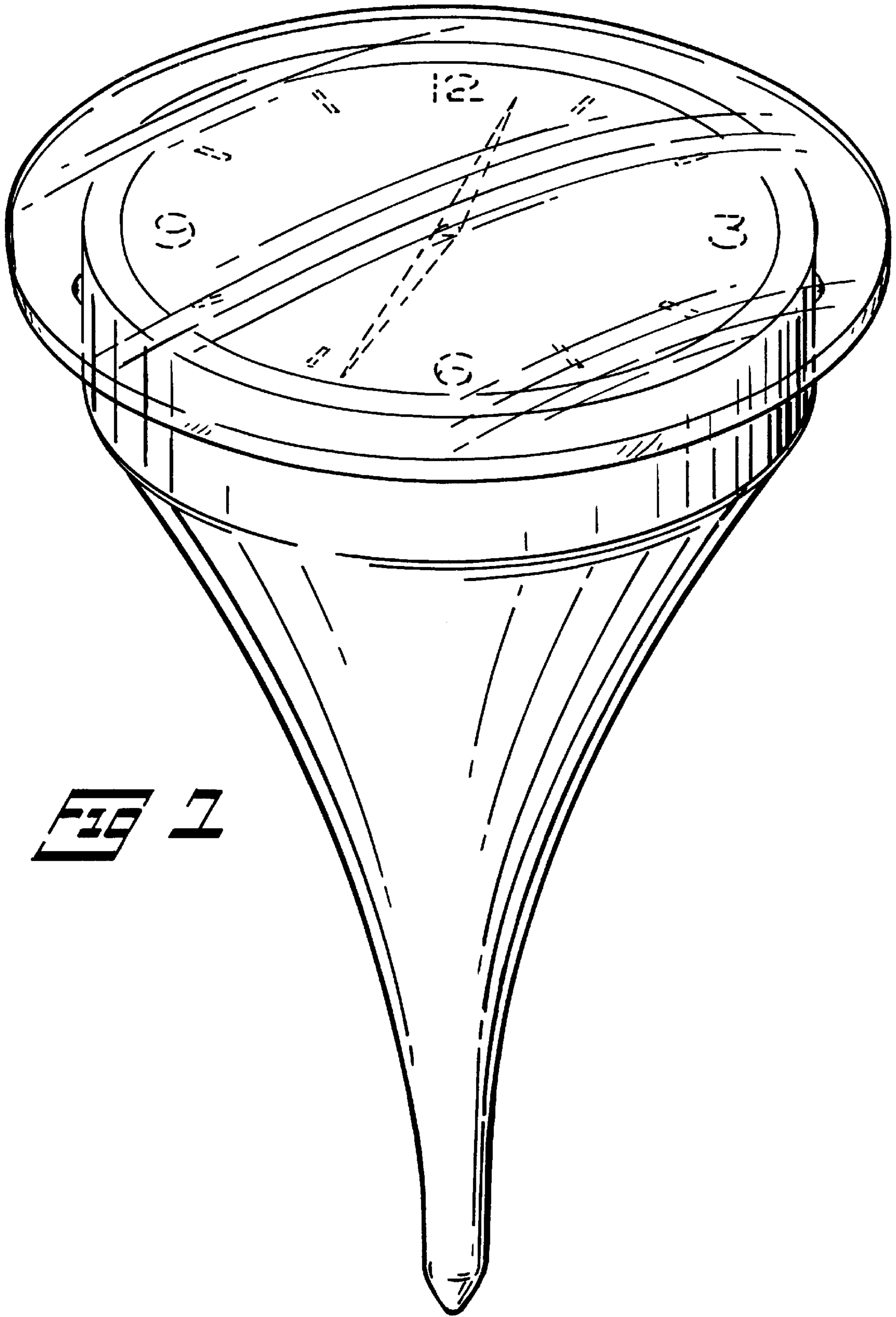
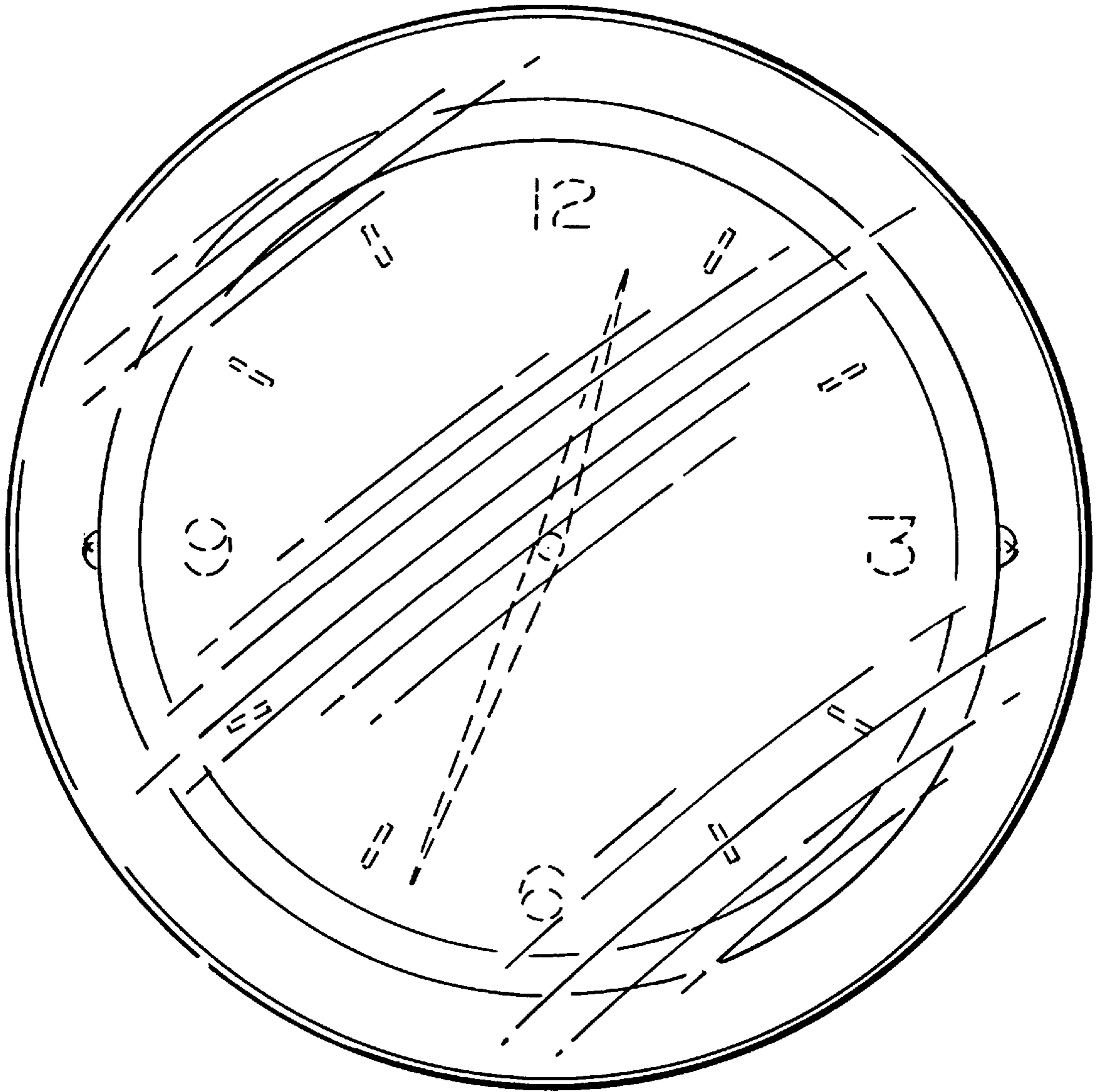
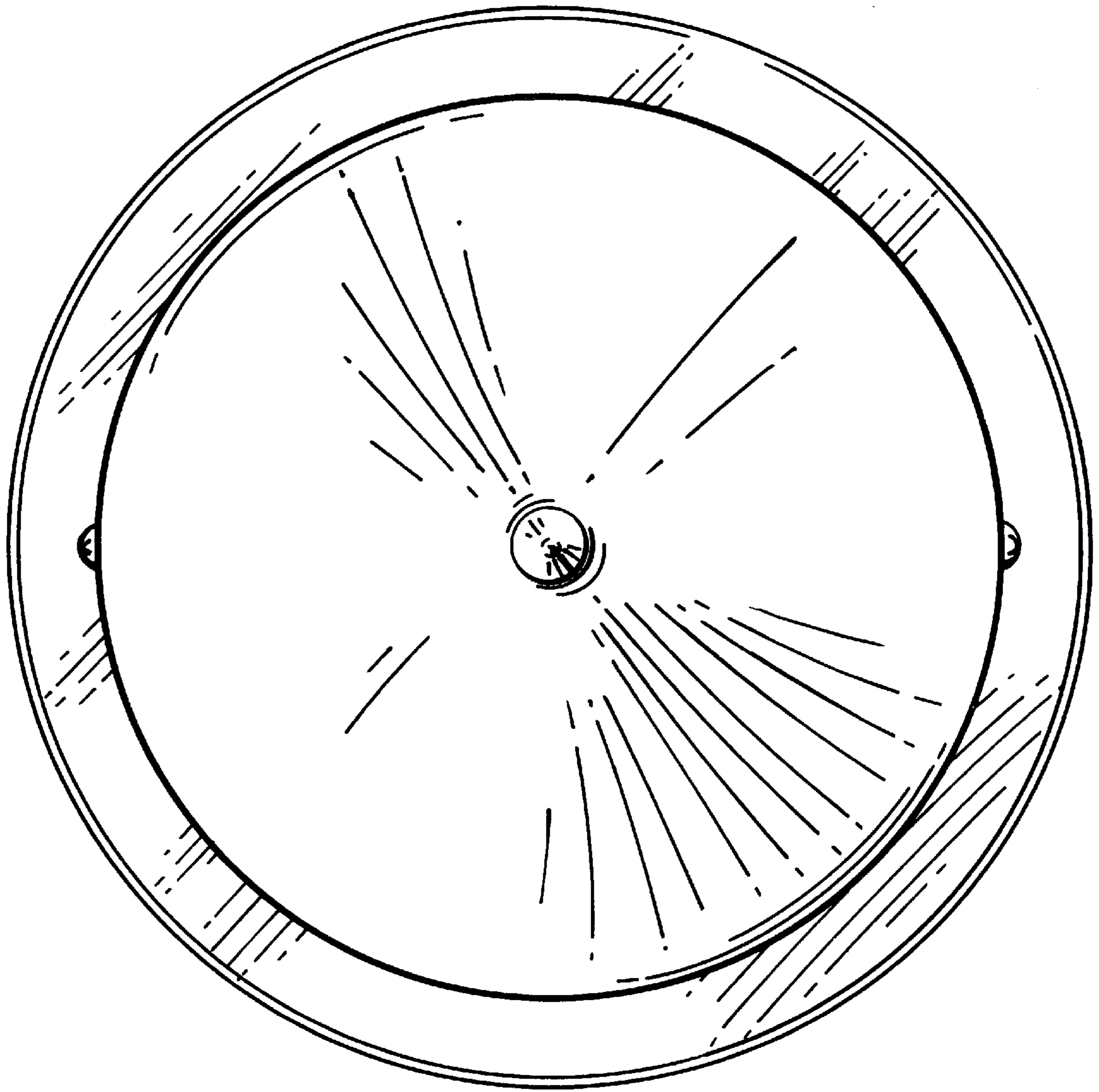
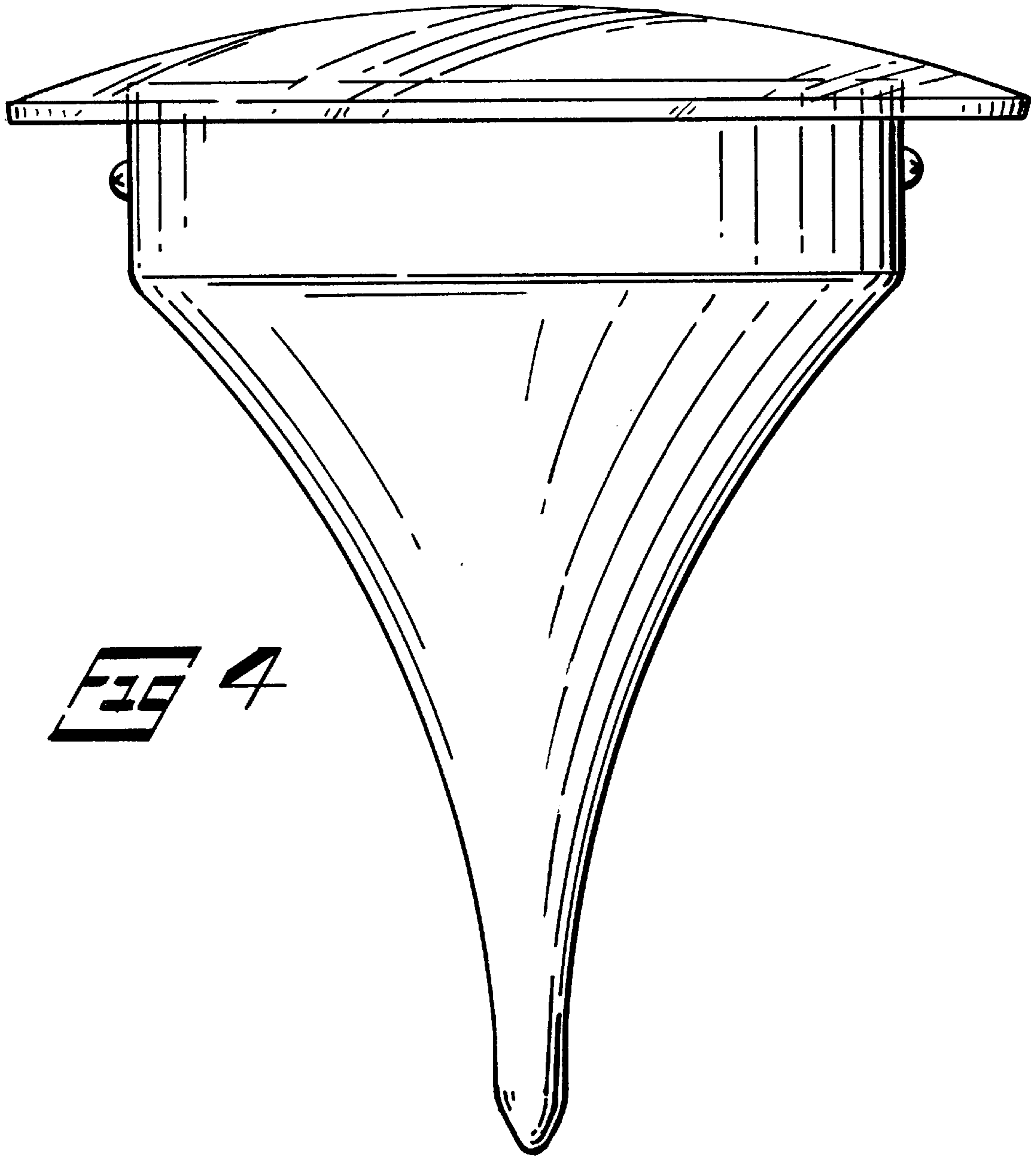


FIG 1







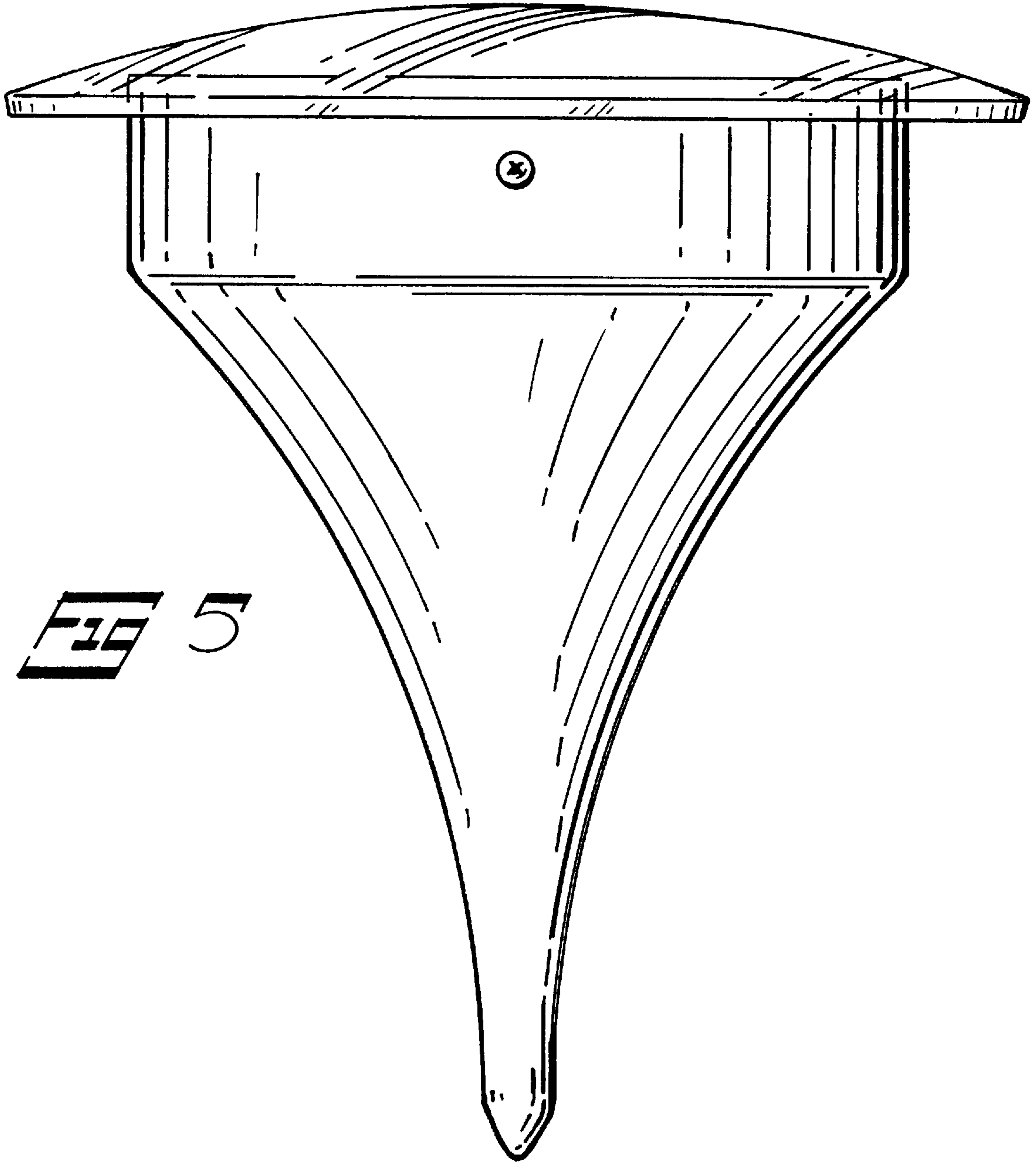


FIG 5