



US00D404649S

United States Patent [19]

[11] Patent Number: **Des. 404,649**

Meisner et al.

[45] Date of Patent: ****Jan. 26, 1999**

[54] **WATER BOTTLE**

[75] Inventors: **Edward H. Meisner**, Short Hills, N.J.;
Roland Charriez, Peekskill, N.Y.;
Keith Kristiansen, Stratford, Conn.

[73] Assignee: **Great Spring Waters of America, Inc.**,
Greenwich, Conn.

[**] Term: **14 Years**

[21] Appl. No.: **83,183**

[22] Filed: **Jan. 23, 1998**

[51] **LOC (6) Cl.** **09-01**

[52] **U.S. Cl.** **D9/531; D9/557**

[58] **Field of Search** **D9/531, 502, 557,**
D9/553, 528; 215/398, 396, 382-385

D. 361,039	8/1995	Rokus	D9/531
3,069,039	12/1962	Stickney	215/1
3,198,367	8/1965	Stickney	215/1
3,708,082	1/1973	Platte	215/1 C
4,046,275	9/1977	Virog, Jr. et al.	215/1 C
4,051,265	9/1977	Kirschenbaum et al.	426/107
4,127,206	11/1978	Virog, Jr. et al.	215/1 C
4,143,784	3/1979	Frahm et al.	215/382
4,372,455	2/1983	Cochran	215/100 A
4,805,808	2/1989	Larson	222/185
4,846,359	7/1989	Baird et al.	215/12.2
5,087,406	2/1992	Krall et al.	264/512
5,139,666	8/1992	Charbonneau et al.	210/264
5,207,338	5/1993	Sandhu	215/11.1
5,232,107	8/1993	Krall et al.	215/1 C
5,275,780	1/1994	Robinson	264/529

Primary Examiner—Lucy Lieberman
Attorney, Agent, or Firm—Fish & Neave; Jeffrey H. Ingerman

[56] **References Cited**

U.S. PATENT DOCUMENTS

D. 189,996	3/1961	Stenger et al.	D58/8
D. 227,654	7/1973	Byrne	D9/1
D. 233,595	11/1974	Sinding	D9/1
D. 265,460	7/1982	Wilson	D9/378
D. 268,480	4/1983	Cox	D9/378
D. 270,136	8/1983	Cox	D9/502
D. 303,496	9/1989	Larson	D9/370
D. 303,497	9/1989	Larson	D9/370
D. 307,389	4/1990	Larson	D9/370
D. 320,344	10/1991	Larson	D9/370
D. 324,650	3/1992	Larson	D9/370
D. 326,051	5/1992	Frahm	D9/557 X
D. 326,609	6/1992	Stenger	D9/557 X
D. 333,098	2/1993	Hestehave et al.	D9/531
D. 339,067	9/1993	Rokus	D9/531
D. 346,332	4/1994	Kanfer et al.	D9/531
D. 355,365	2/1995	Charbonneau et al.	D9/528
D. 355,367	2/1995	Rokus	D9/531
D. 360,830	8/1995	Hestehave et al.	D9/531

[57] **CLAIM**

The ornamental design for a water bottle, as shown and described.

DESCRIPTION

FIG. 1 is a top, side perspective view of a water bottle showing our new design;
FIG. 2 is a top plan view thereof;
FIG. 3 is an elevational view thereof from a first side;
FIG. 4 is an elevational view thereof from a second side at right angles to said first side, the side opposite said second side being a mirror image;
FIG. 5 is a bottom plan view thereof;
FIG. 6 is an elevational view from a side opposite said first side; and,
FIG. 7 is a cross-sectional view thereof, taken from line 7—7 of FIG.4.

1 Claim, 4 Drawing Sheets

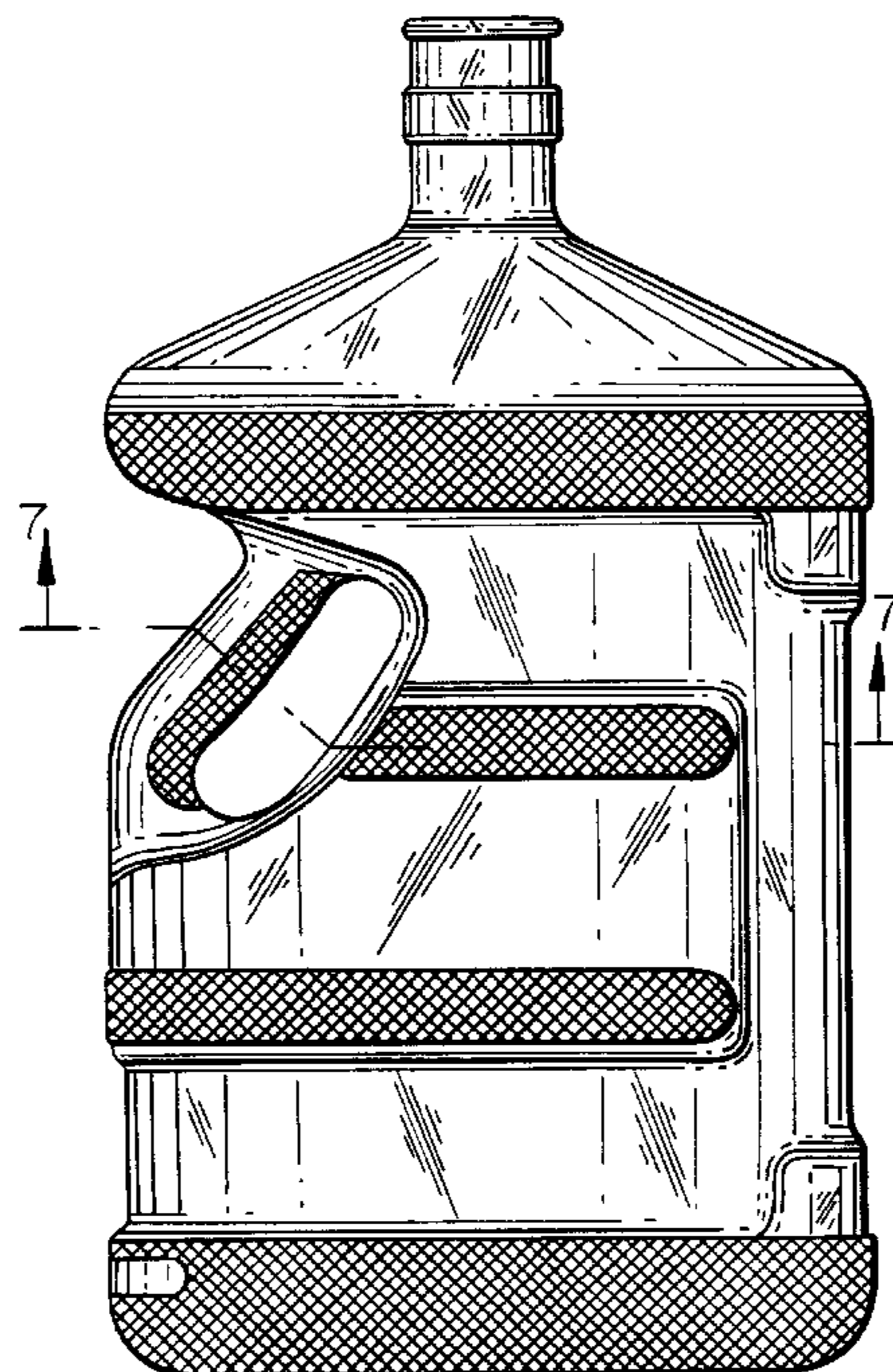


FIG. 1

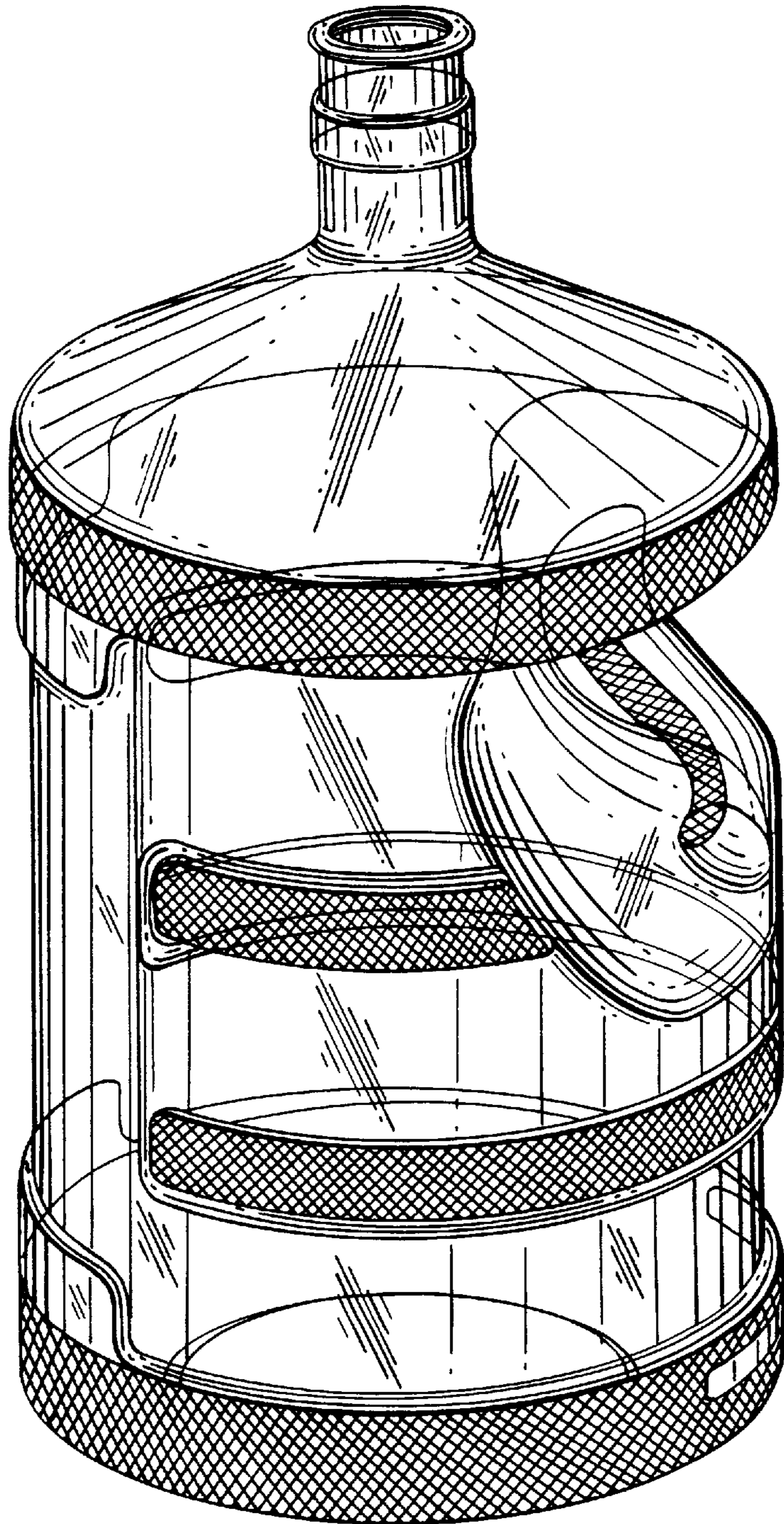


FIG. 2

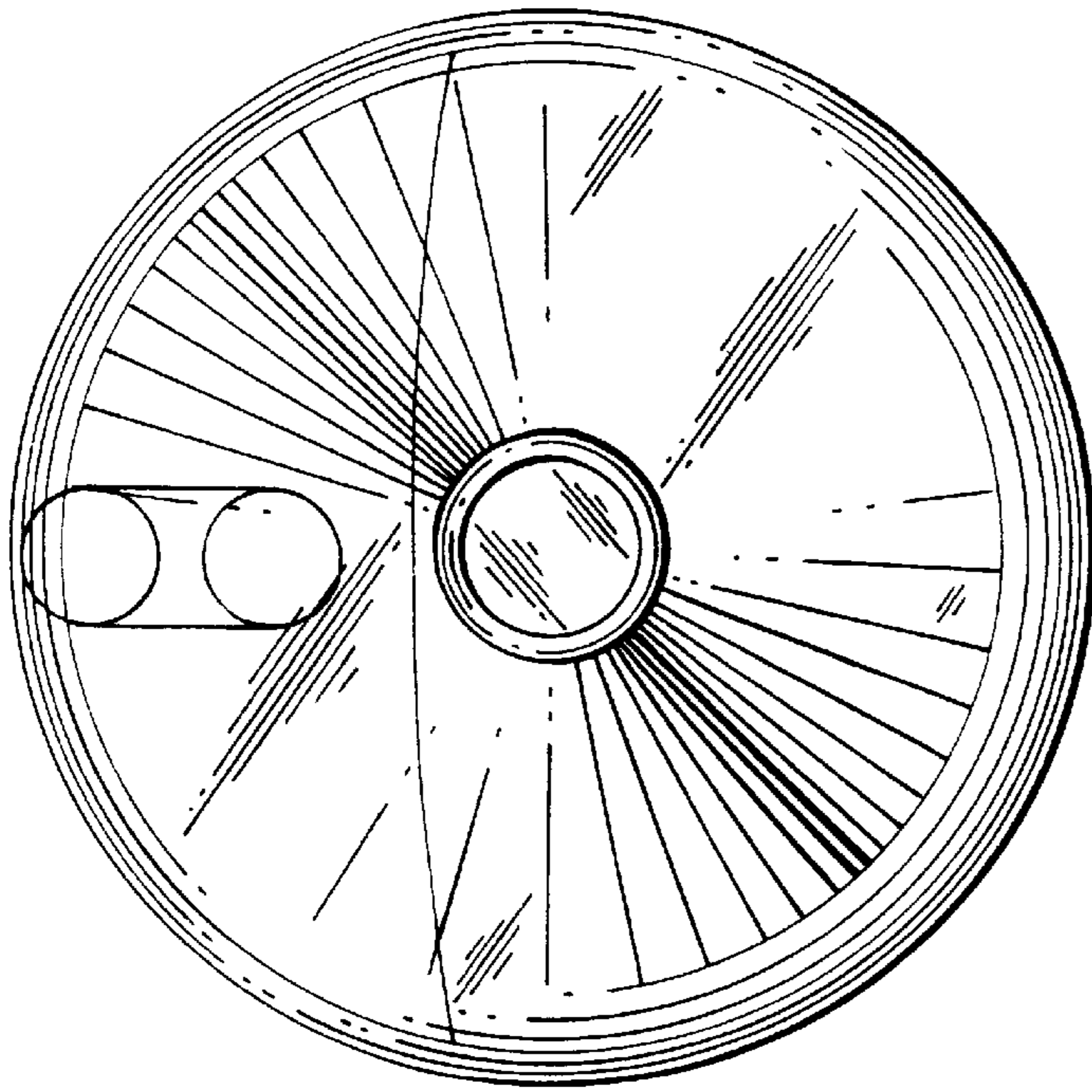


FIG. 3

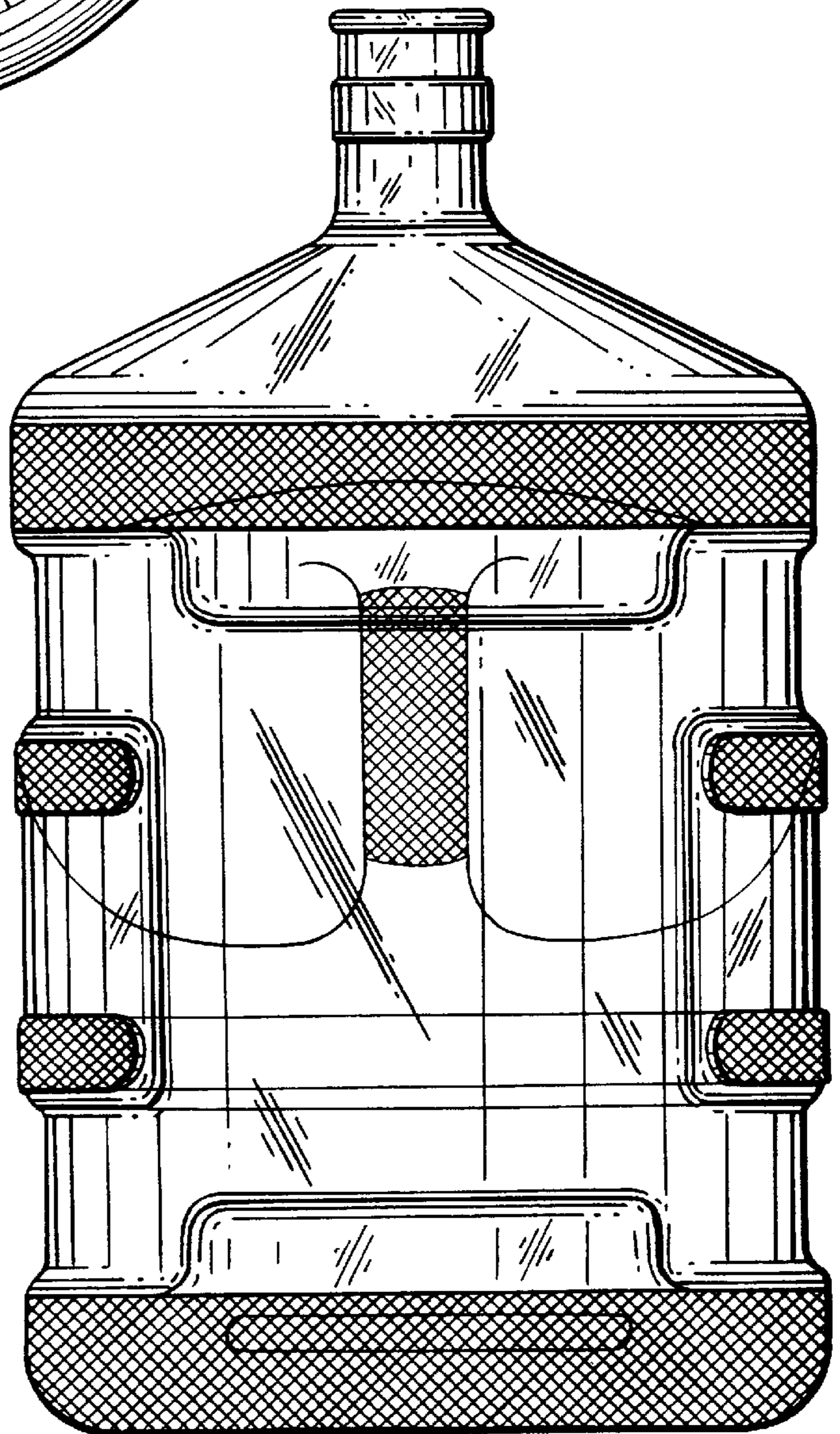


FIG. 4

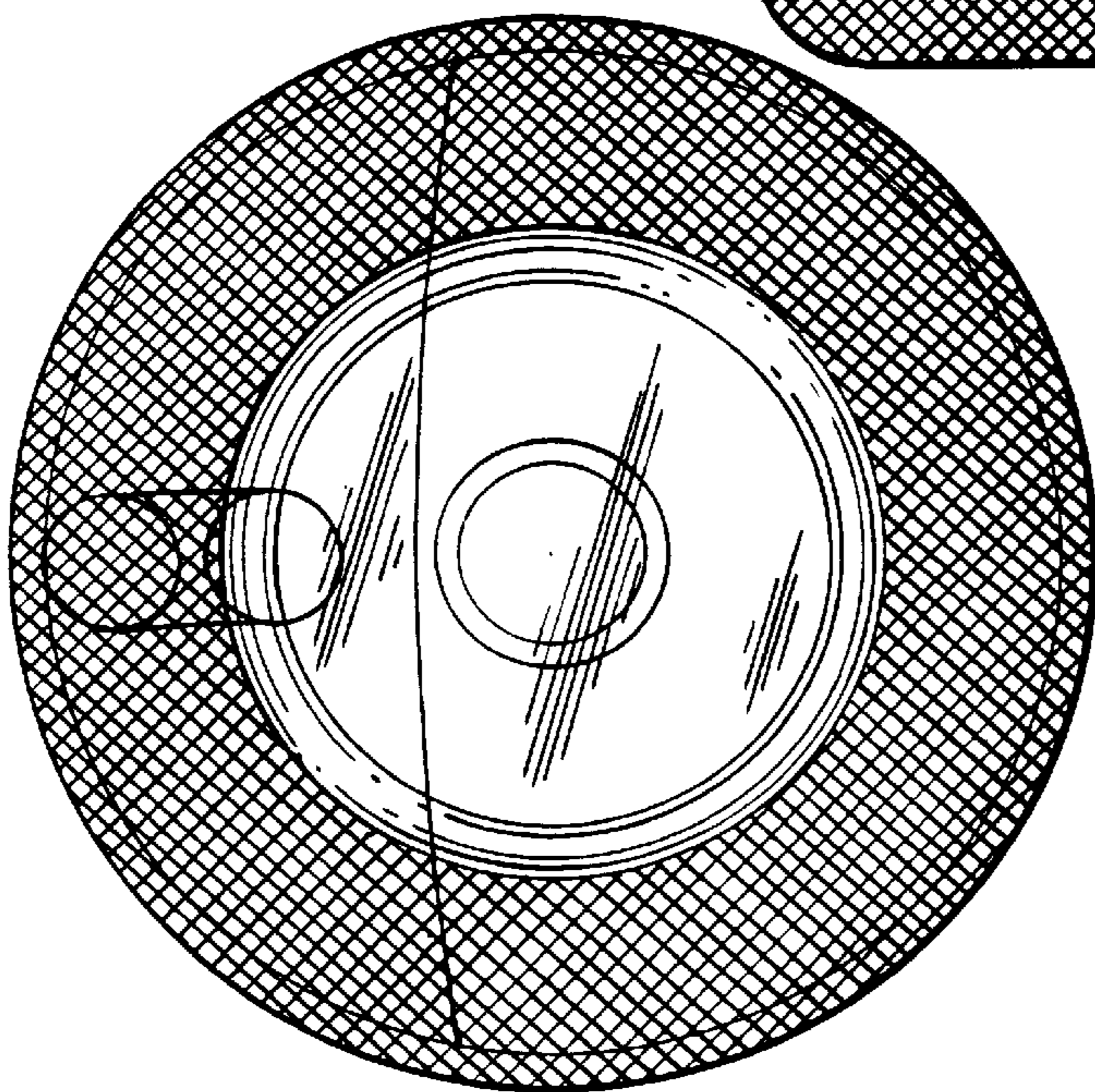
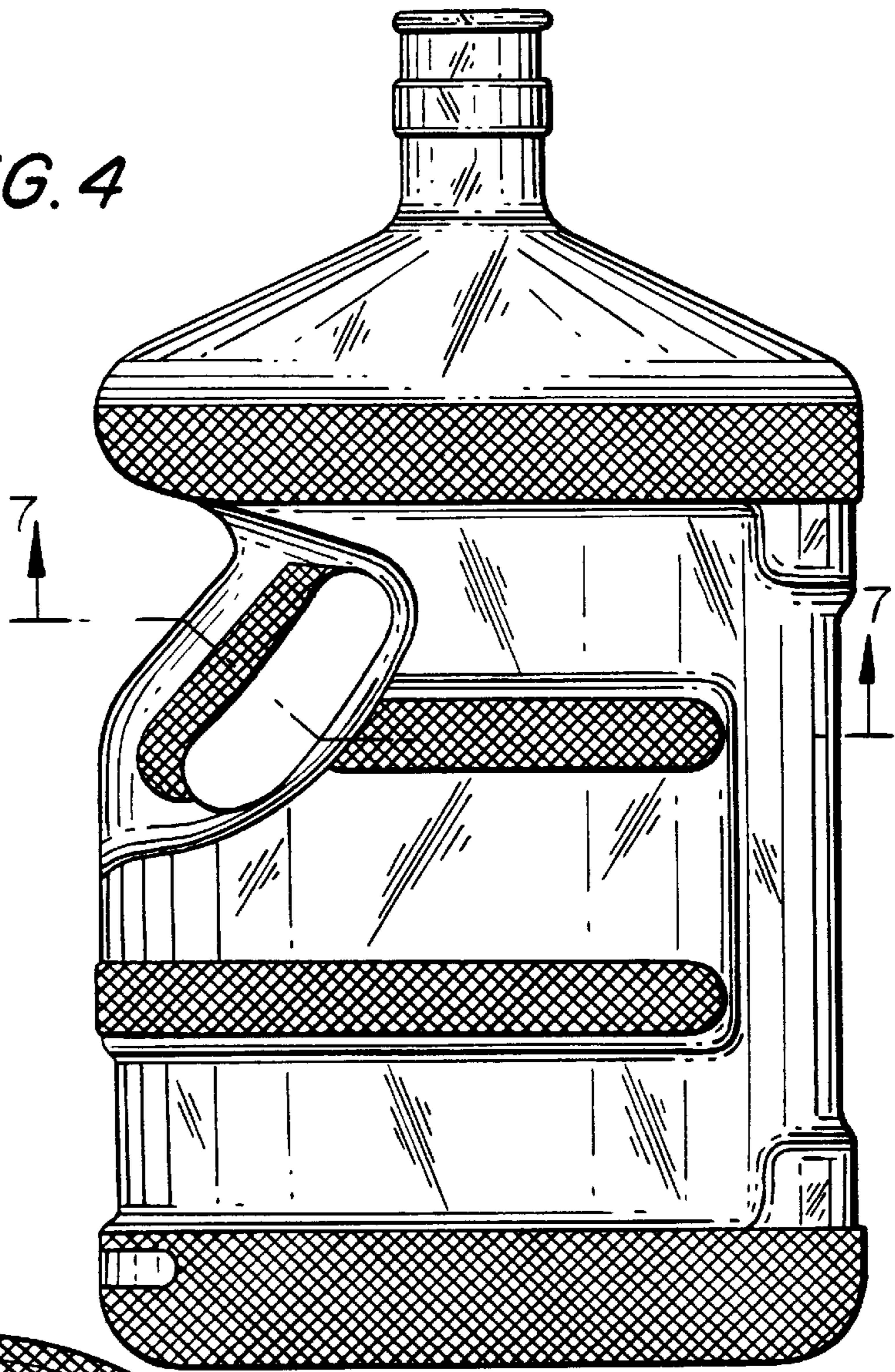


FIG. 5

FIG. 6

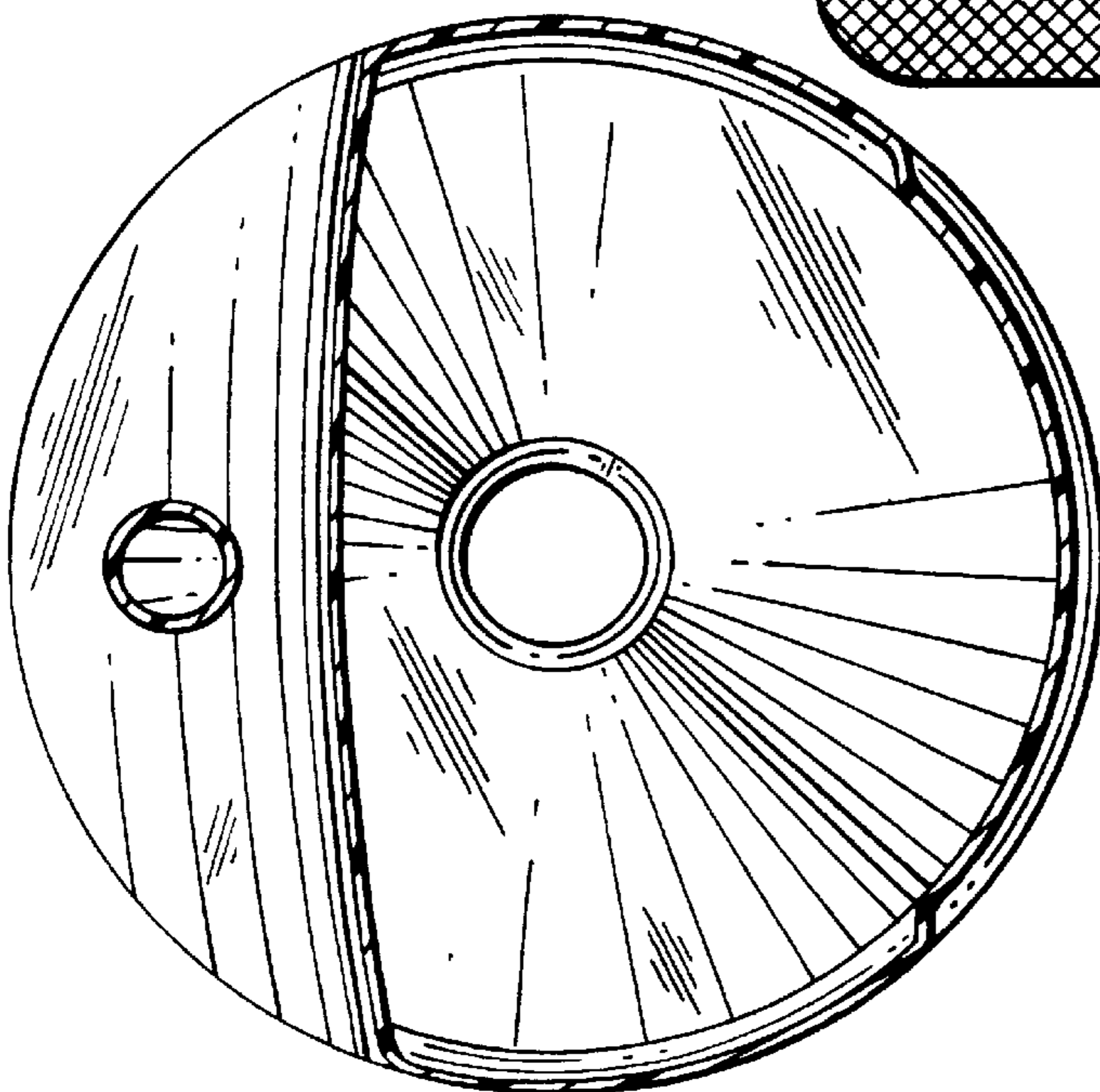
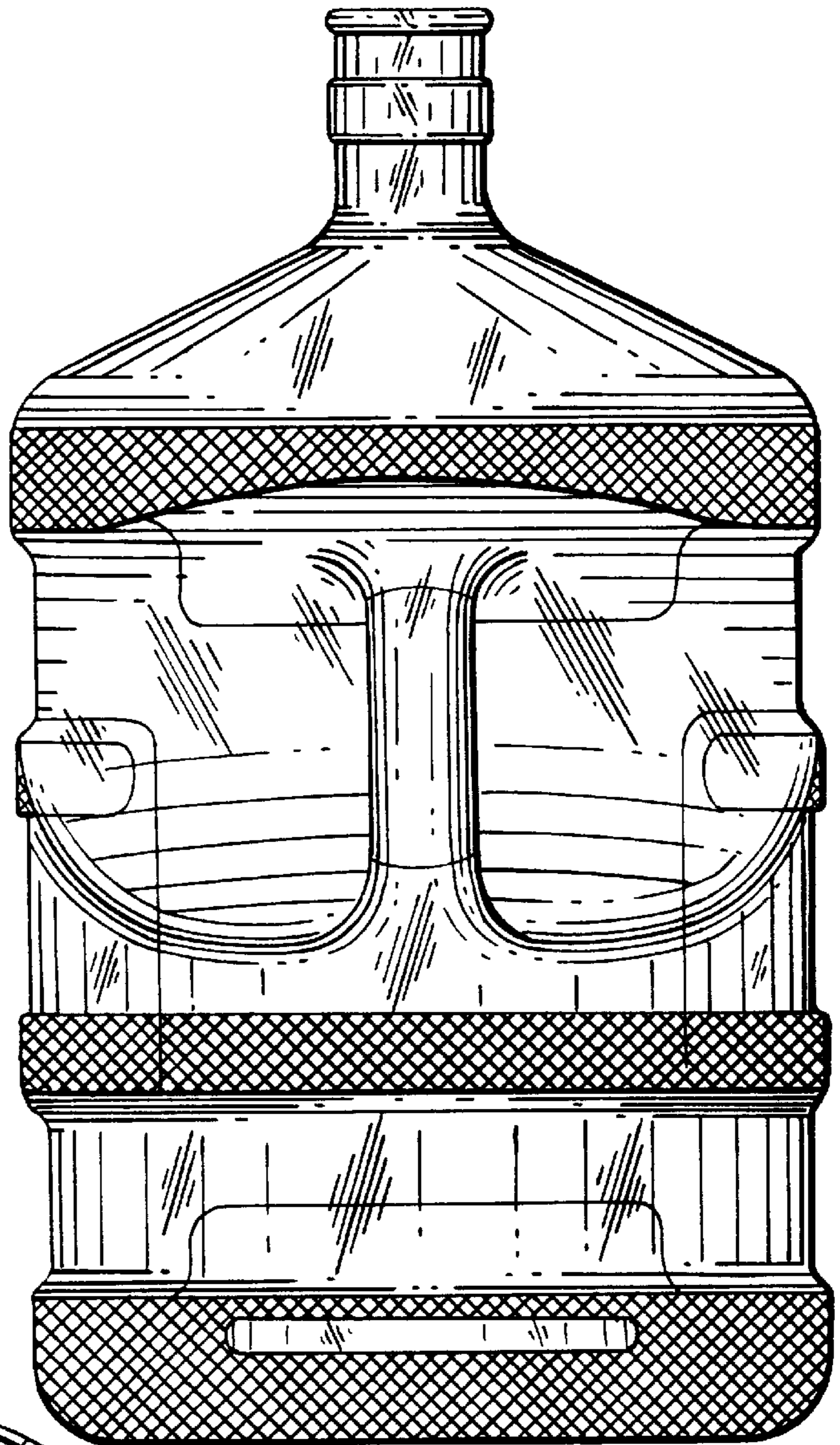


FIG. 7