



US00D404646S

United States Patent [19]

Black, Sr. et al.

[11] Patent Number: Des. 404,646

[45] Date of Patent: **Jan. 26, 1999

[54] **TOOTHPICK DISPENSER CAP**

[75] Inventors: **Sheldon Lee Black, Sr.; Floyd Evan Black**, both of Colorado City, Ariz.

[73] Assignee: **Universal Technologies, Inc.**, Colorado City, Ariz.

[**] Term: **14 Years**

[21] Appl. No.: **72,763**

[22] Filed: **Jun. 24, 1997**

[51] **LOC (6) Cl.** **09-07**

[52] **U.S. Cl.** **D9/446; D9/440**

[58] **Field of Search** D9/440, 443, 446, D9/447, 454, 339; D7/635; D28/65; 206/380, 382, 443; 215/306; 220/259, 375; 221/190

[56] **References Cited**

U.S. PATENT DOCUMENTS

D. 188,393	7/1960	Fagan	D9/446 X
D. 335,721	5/1993	Kimball	D28/65
469,064	2/1892	McKay	.	
647,187	4/1900	Knapp	.	
1,385,288	7/1921	Walker	.	

1,832,735	11/1931	Puyuelo	.	
2,408,902	10/1946	Beckstrom	.	
2,600,589	6/1952	Swanson	.	
3,145,872	8/1964	Hayes	220/375
3,434,620	3/1969	Laurizio	D9/446 X
4,127,219	11/1978	Mabus	.	
4,197,965	4/1980	Manz	.	
4,269,313	5/1981	Smith	.	
4,271,979	6/1981	Manz	.	
4,522,314	6/1985	Nelson	.	
5,238,163	8/1993	Leach et al.	.	

Primary Examiner—James Gandy
Assistant Examiner—Cathron B. Matta
Attorney, Agent, or Firm—Thorpe, North & Western, LLP

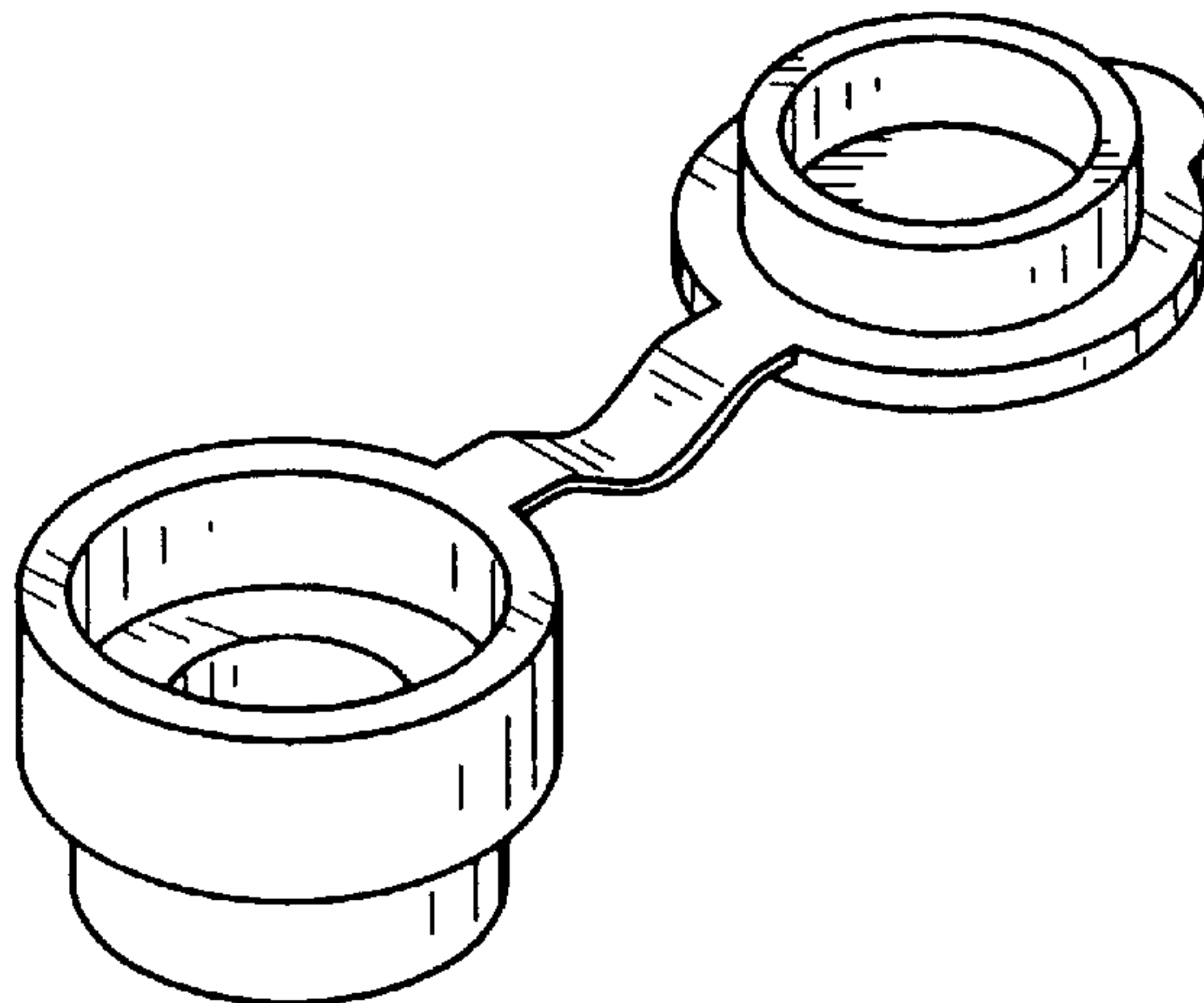
[57] **CLAIM**

The ornamental design for a toothpick dispenser cap, as shown and described.

DESCRIPTION

FIG. 1 is a perspective view of a toothpick dispenser cap showing our new design;
FIG. 2 is a top view;
FIG. 3 is a bottom view; and,
FIG. 4 is a side view.

1 Claim, 1 Drawing Sheet



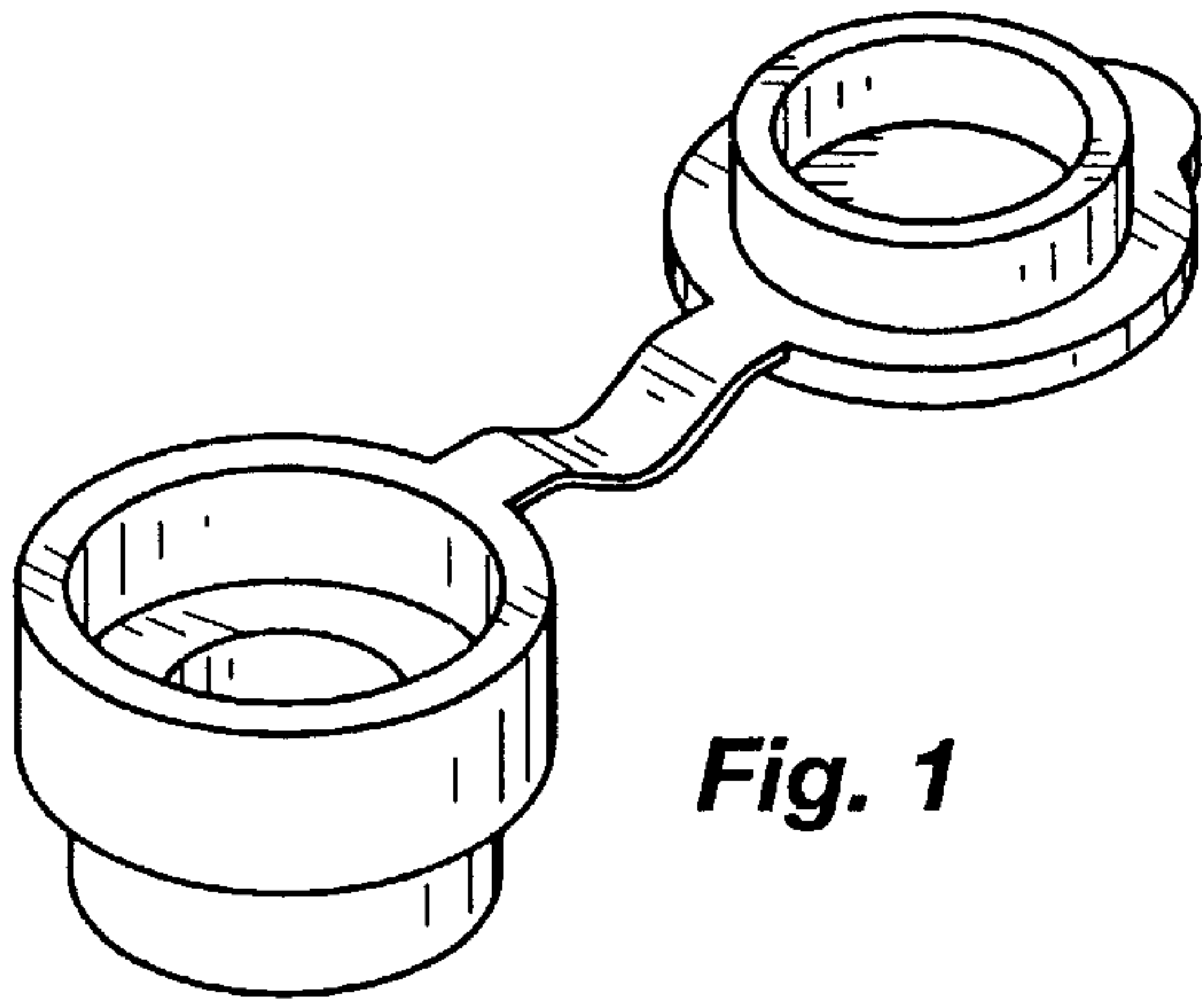


Fig. 1

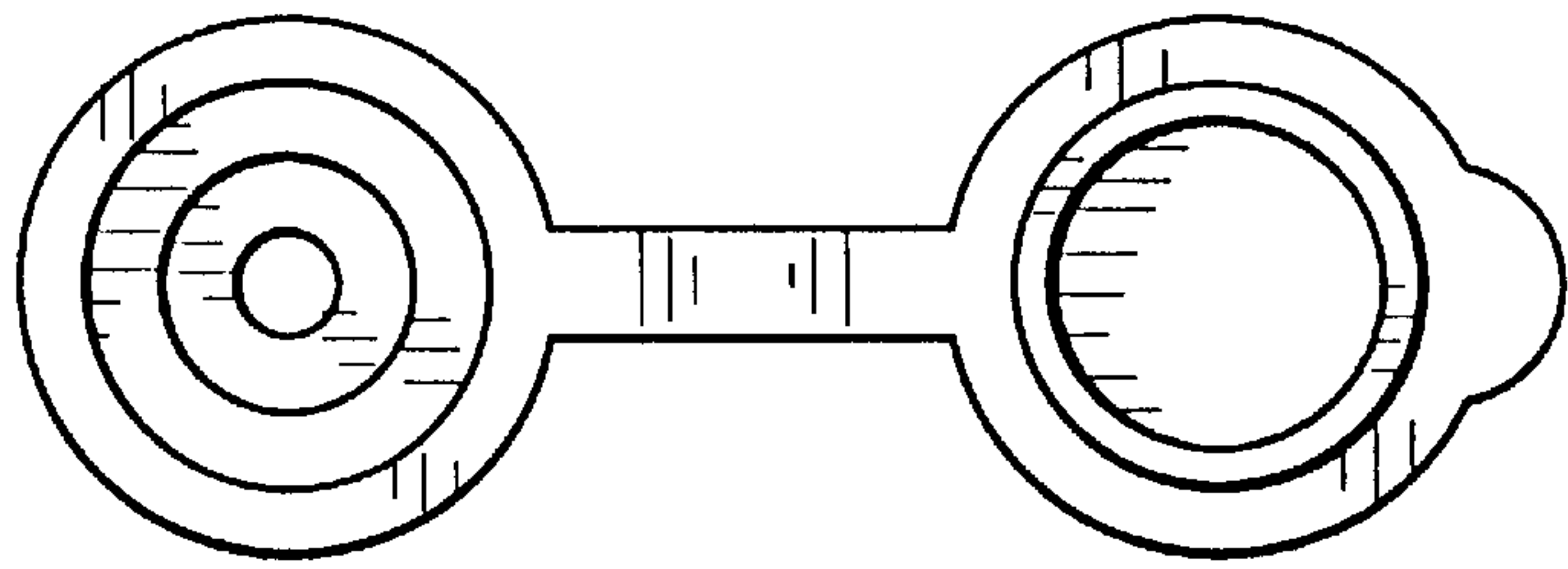


Fig. 2

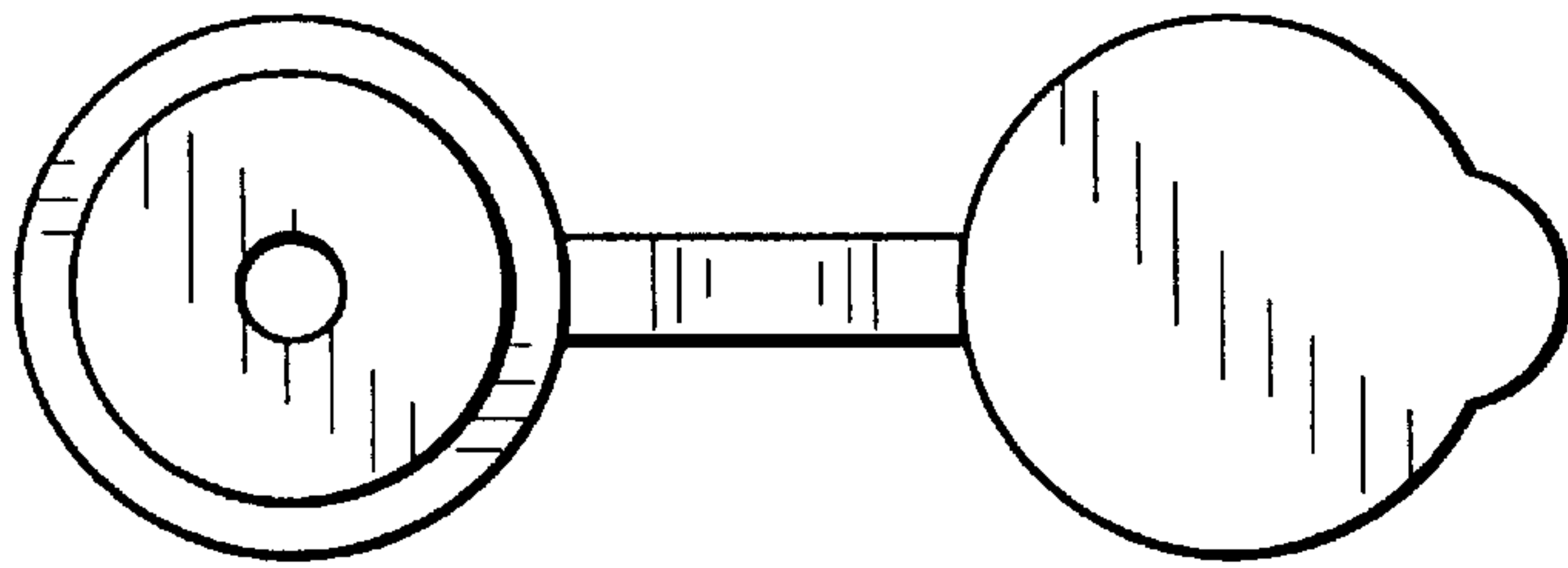


Fig. 3

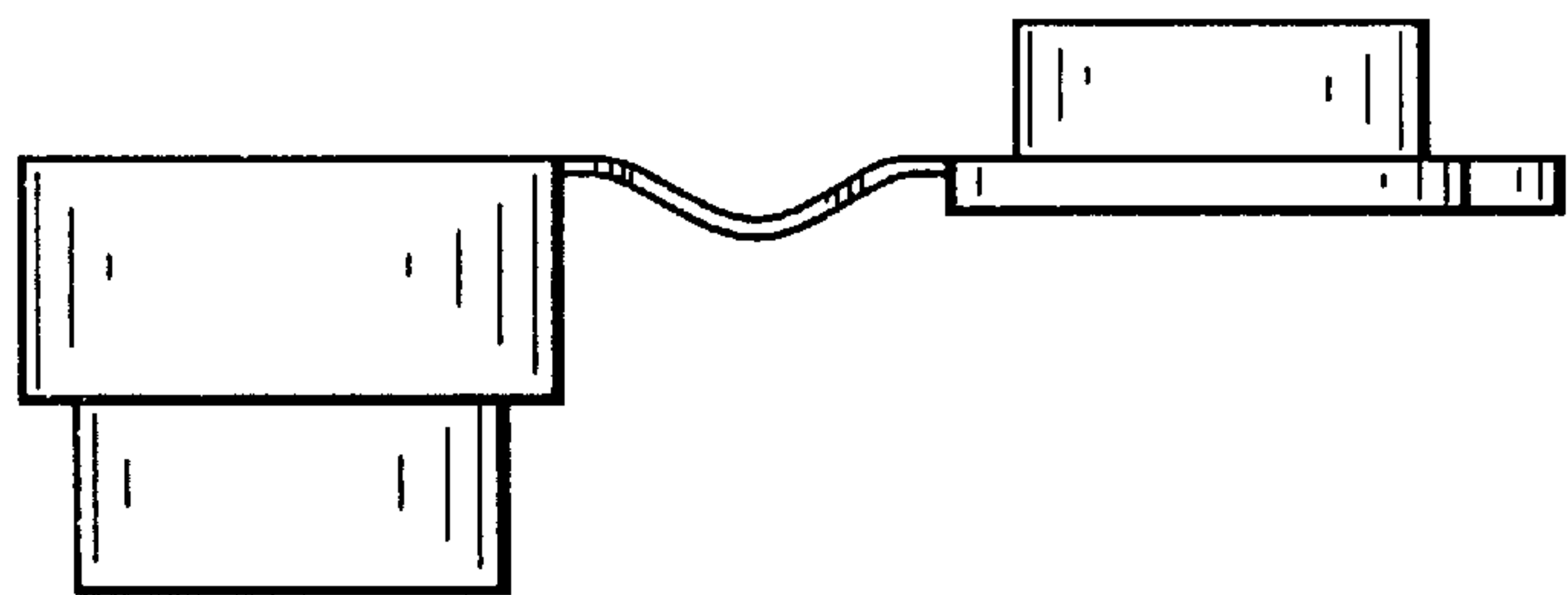


Fig. 4