

US00D404642S

**United States Patent** [19]  
**Major**

[11] **Patent Number: Des. 404,642**

[45] **Date of Patent: \*\*Jan. 26, 1999**

[54] **CONTAINER FOR HOLDING IMPRESSION MATERIAL**

3,530,917 9/1970 Donovan ..... 206/526  
4,842,143 6/1989 McKee, Sr. et al. .... 206/521.1

[76] Inventor: **Miklos Major**, 1959 Watch Hill Rd.,  
Ambridge, Pa. 15003

*Primary Examiner*—Ted Shooman  
*Assistant Examiner*—Nanda Bondade  
*Attorney, Agent, or Firm*—LaMorte & Associates

[\*\*] Term: **14 Years**

[57] **CLAIM**

[21] Appl. No.: **83,551**

The ornamental design for a container for holding impression material, as shown.

[22] Filed: **Feb. 9, 1998**

**DESCRIPTION**

[51] **LOC (6) Cl.** ..... **09-03**

[52] **U.S. Cl.** ..... **D9/341**

[58] **Field of Search** ..... D7/357, 503, 505,  
D7/611, 672-675; D9/341, 345, 419-421;  
206/521, 521.1, 521.15, 521.2, 521.7, 521.8,  
461, 526

FIG. 1 is a perspective view of a container for holding impression material in accordance with the present invention;

FIG. 2 is a top view thereof;

FIG. 3 is a front view, thereof;

FIG. 4 is a left side view thereof;

FIG. 5 is a right side view thereof;

FIG. 6 is a rear view thereof;

FIG. 7 is a bottom view thereof; and,

FIG. 8 is a perspective view of the present invention in an open condition.

[56] **References Cited**

**U.S. PATENT DOCUMENTS**

D. 190,396 5/1961 Robinson ..... 206/461 X  
D. 281,398 11/1985 Kesselring ..... D9/341  
D. 320,552 10/1991 Chanel ..... D9/314  
D. 372,840 8/1996 Cousins ..... D9/341 X

**1 Claim, 5 Drawing Sheets**

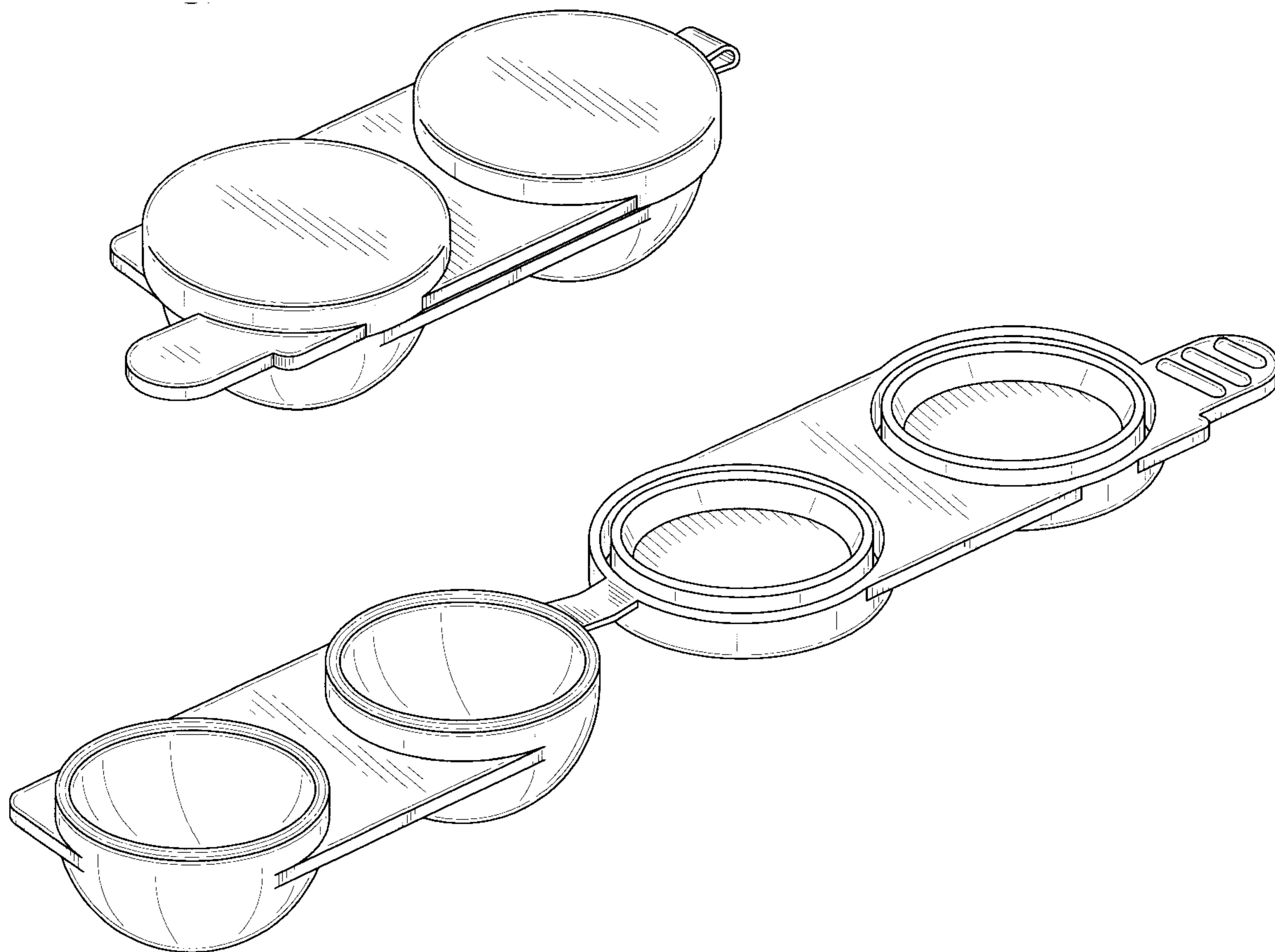


FIG-1

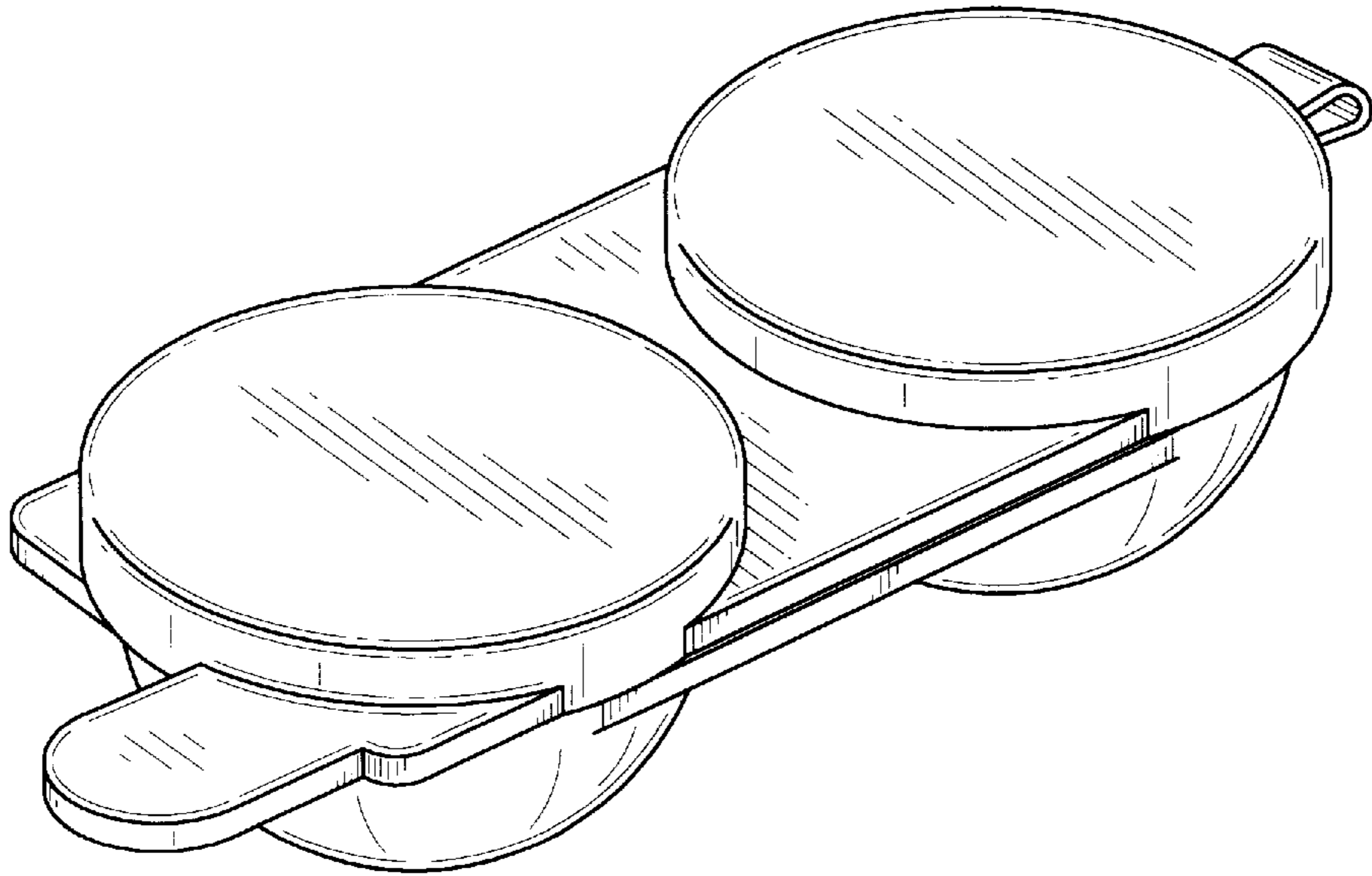


FIG-2

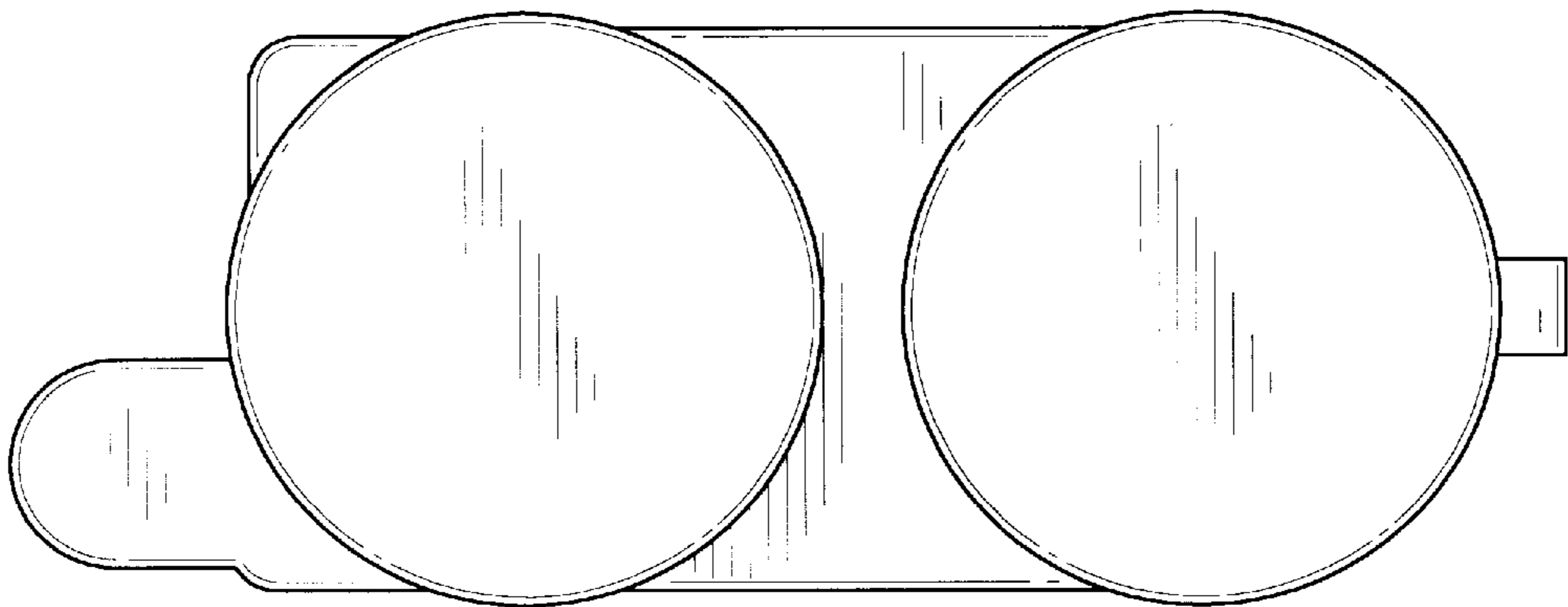


FIG-3

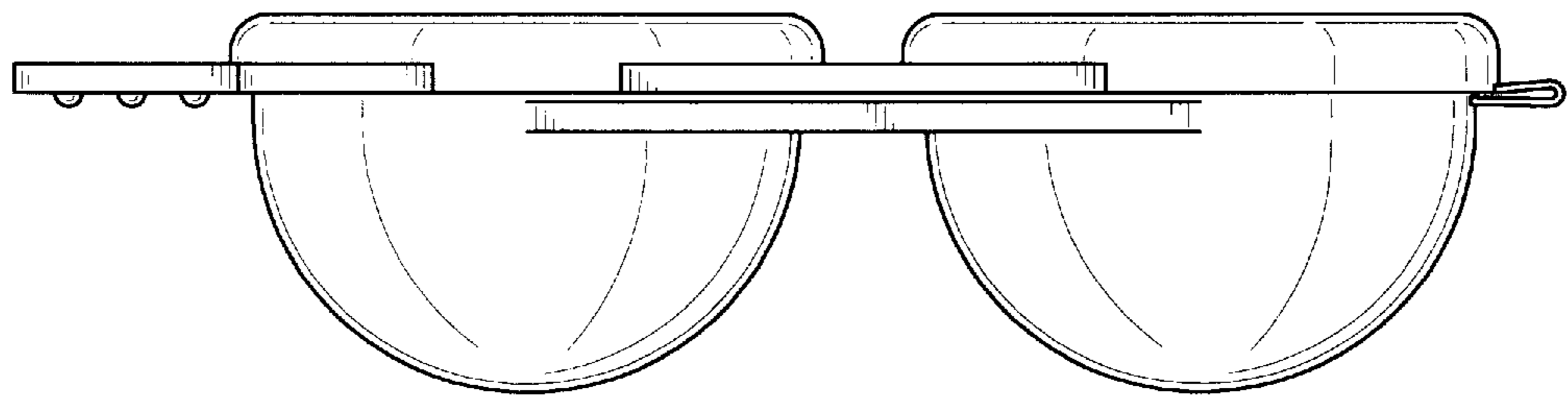


FIG-4

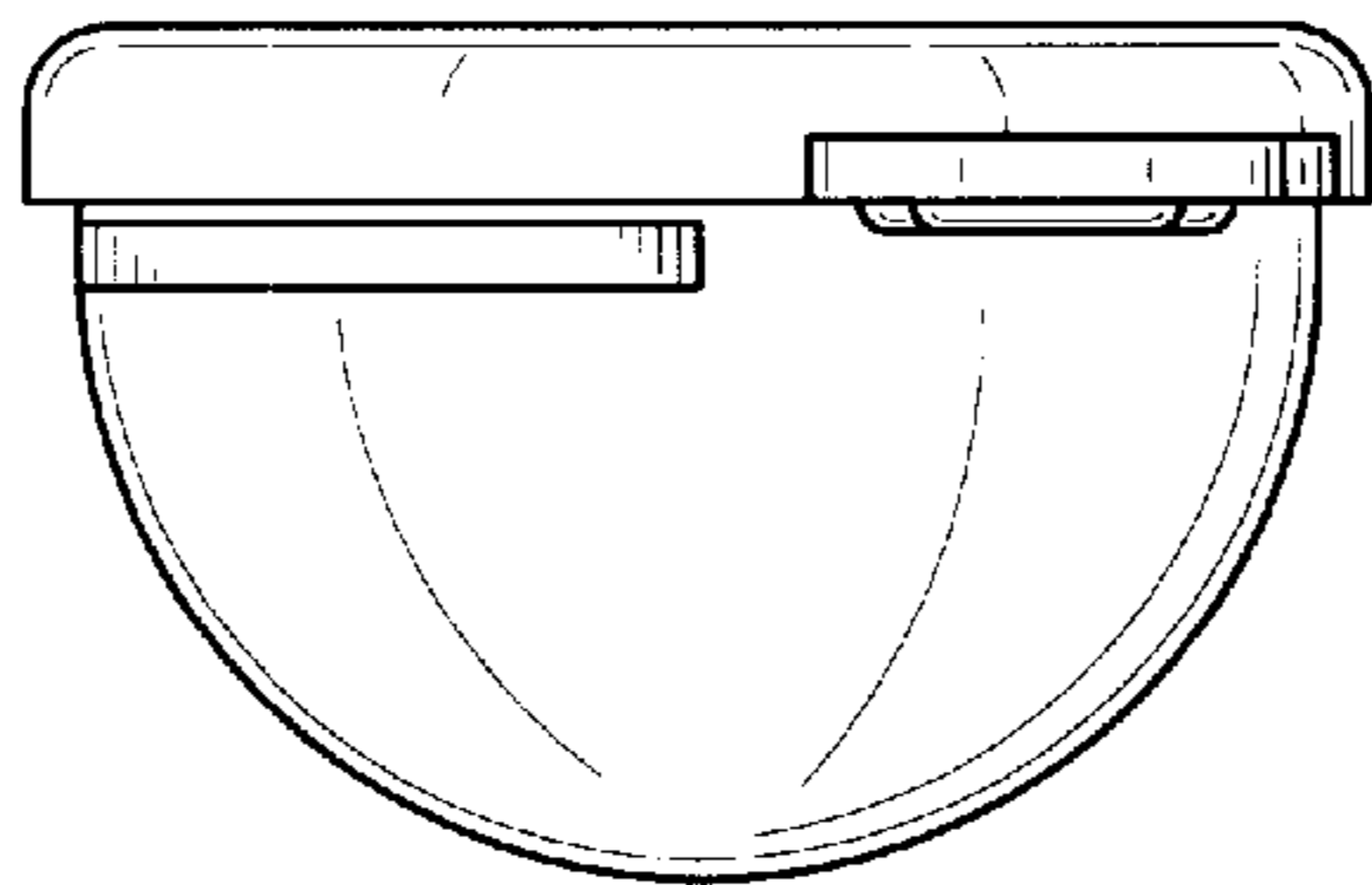


FIG-5

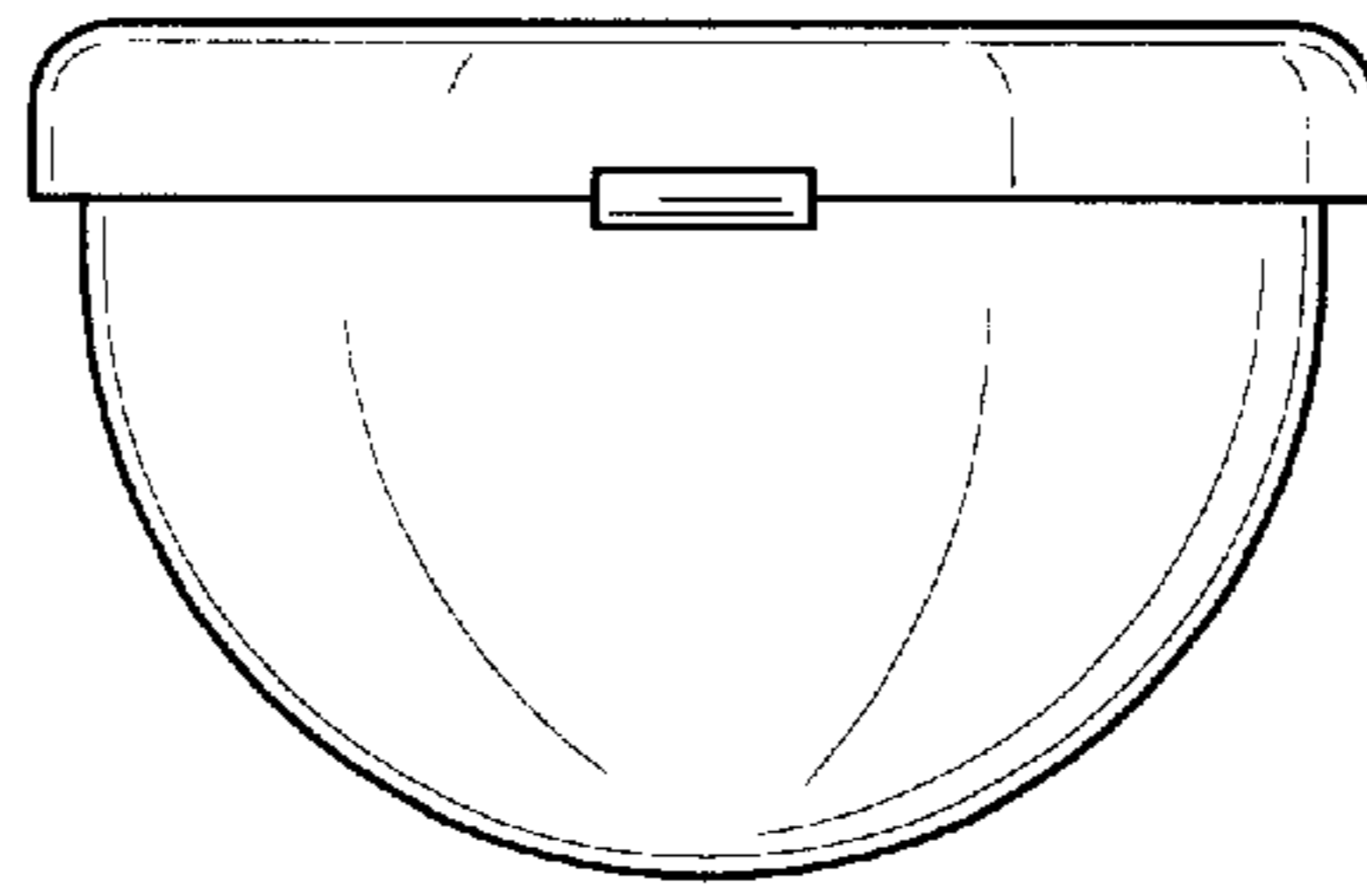


FIG-6

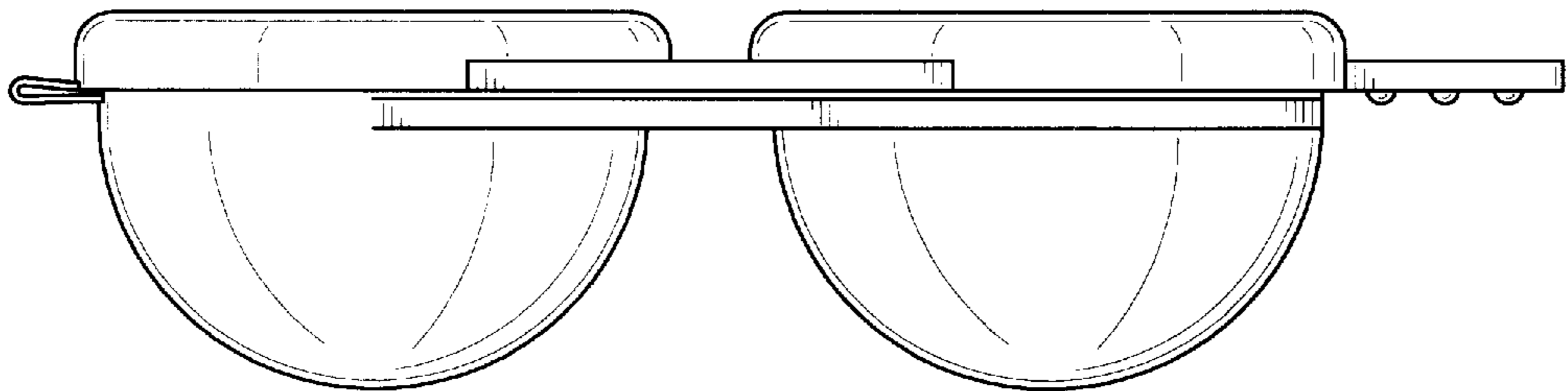
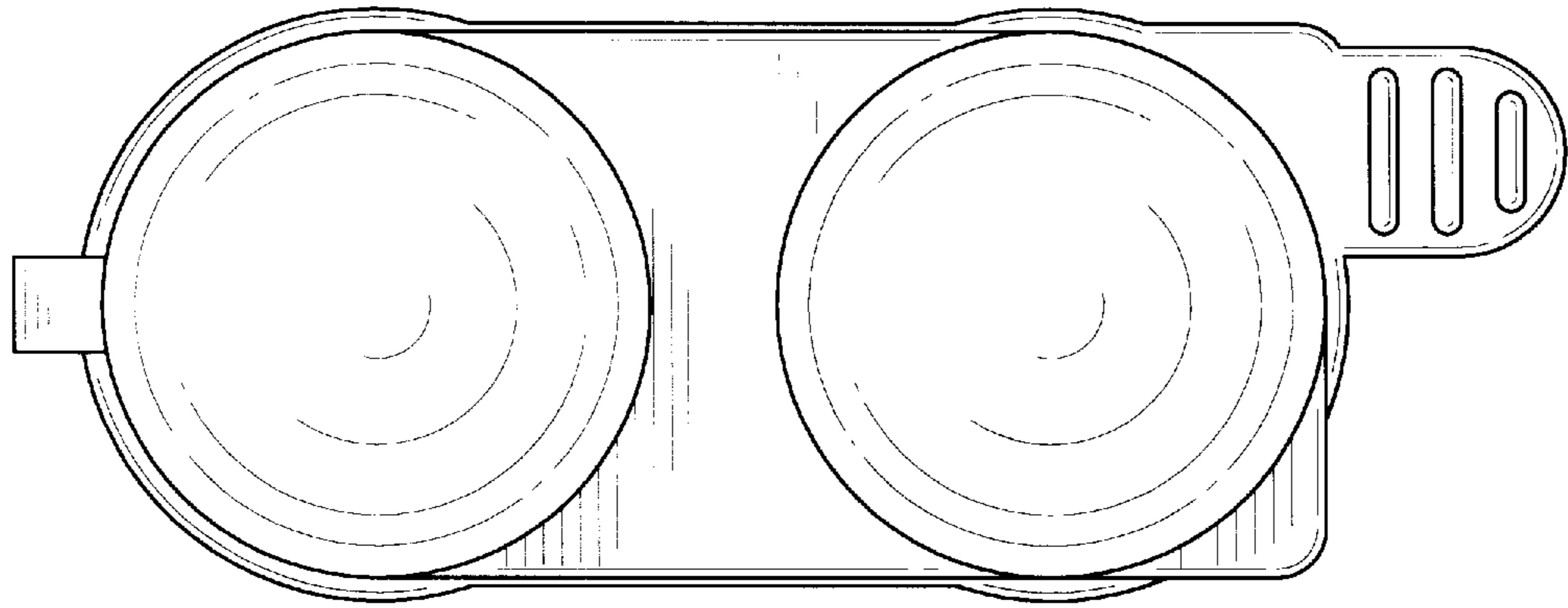


FIG-7



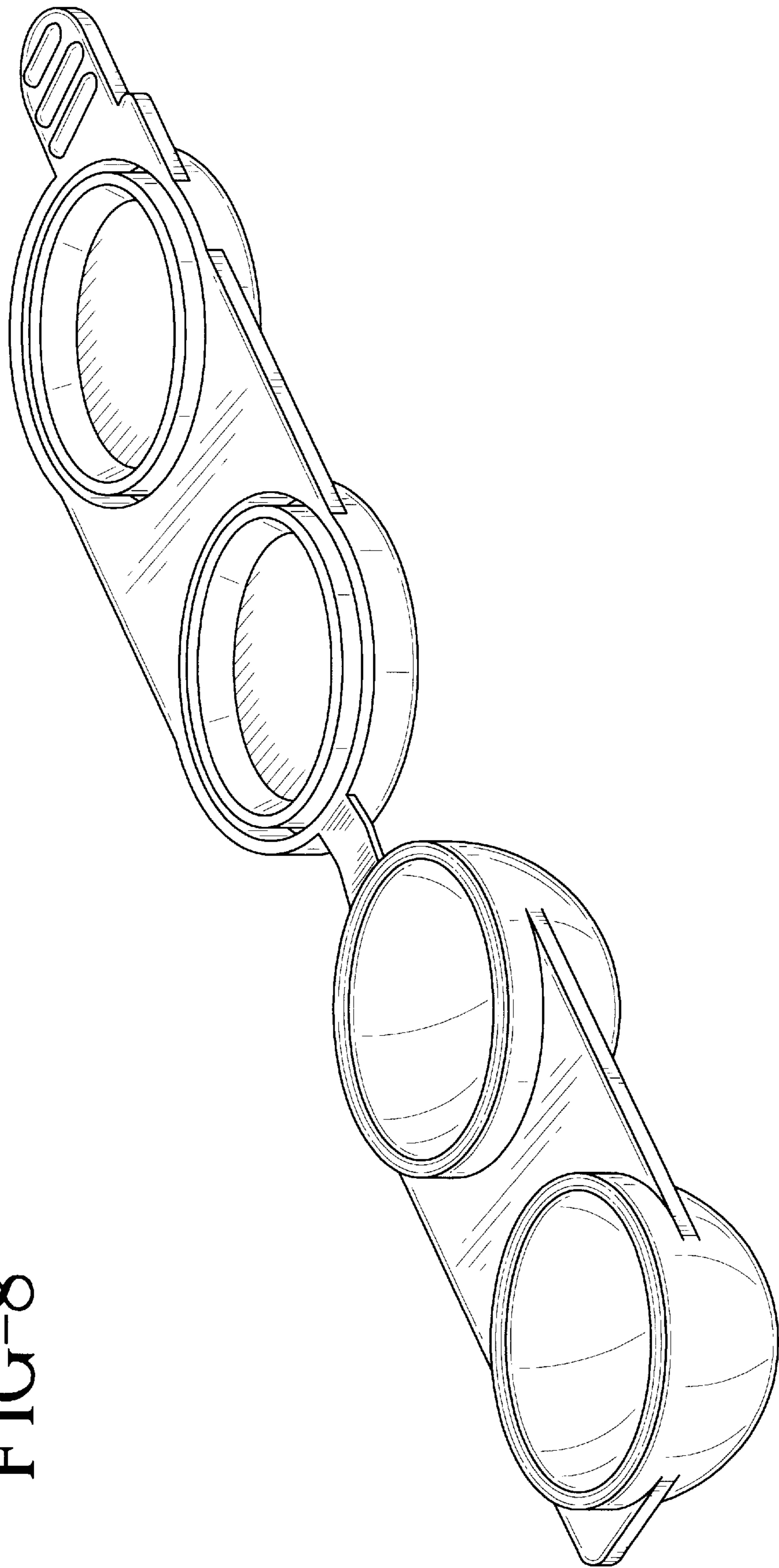


FIG-8