



US00D404640S

United States Patent [19]

Dunnegan et al.

[11] **Patent Number: Des. 404,640**

[45] **Date of Patent: **Jan. 26, 1999**

[54] **OIL CONTAINER WITH COMPARTMENT FOR FILTER**

| | | | | |
|------------|--------|----------------|-------|----------|
| D. 365,983 | 1/1996 | Tirassi et al. | | D9/528 X |
| 4,640,446 | 2/1987 | Walker | | D9/524 X |
| 4,805,814 | 2/1989 | Allen, Sr. | | D9/524 X |

[76] Inventors: **Garry W. Dunnegan**, 1446 Willow La., Wichita, Kans. 67206; **Gary Cain**, 1421 Bay Shore Dr., Grove, Okla. 74344

Primary Examiner—Philip S. Hyder
Assistant Examiner—Nanda Bondade
Attorney, Agent, or Firm—Head, Johnson and Kachigian

[**] Term: **14 Years**

[57] **CLAIM**

[21] Appl. No.: **85,335**

The ornamental design for an oil container with compartment for filter, as shown and described.

[22] Filed: **Mar. 20, 1998**

DESCRIPTION

[51] **LOC (6) Cl.** **09-99**

[52] **U.S. Cl.** **D9/337**

[58] **Field of Search** D9/337, 524, 527, D9/528; 215/385, 398

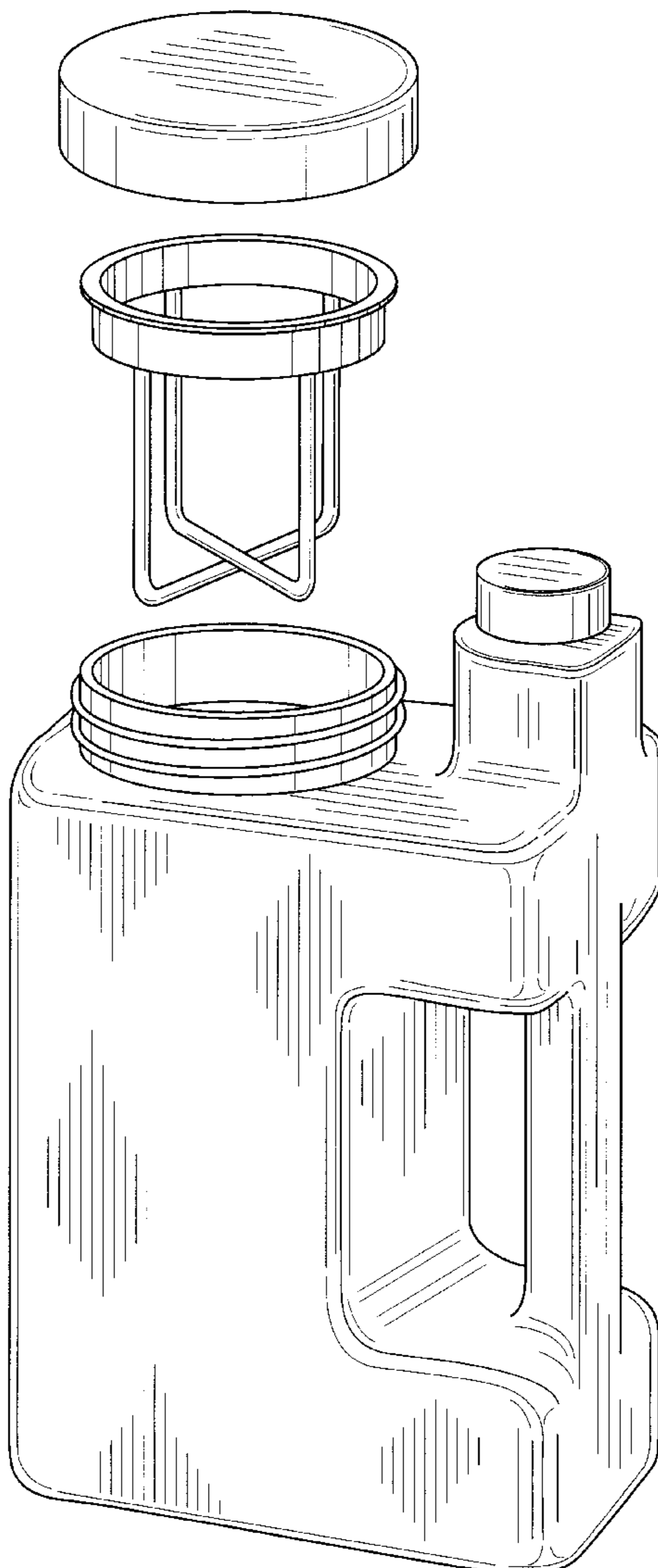
FIG. 1 is an exploded perspective view of an oil container with compartment for filter showing our new design; FIG. 2 is a right side elevational view thereof; FIG. 3 is a rear view thereof; FIG. 4 is a front view thereof; FIG. 5 is a top elevational view thereof; and, FIG. 6 is a bottom elevational view thereof.

[56] **References Cited**

U.S. PATENT DOCUMENTS

| | | | | |
|------------|---------|---------------|-------|----------|
| D. 192,886 | 5/1962 | Kaplan | | D9/528 |
| D. 363,019 | 10/1995 | Arnold et al. | | D9/528 X |

1 Claim, 3 Drawing Sheets



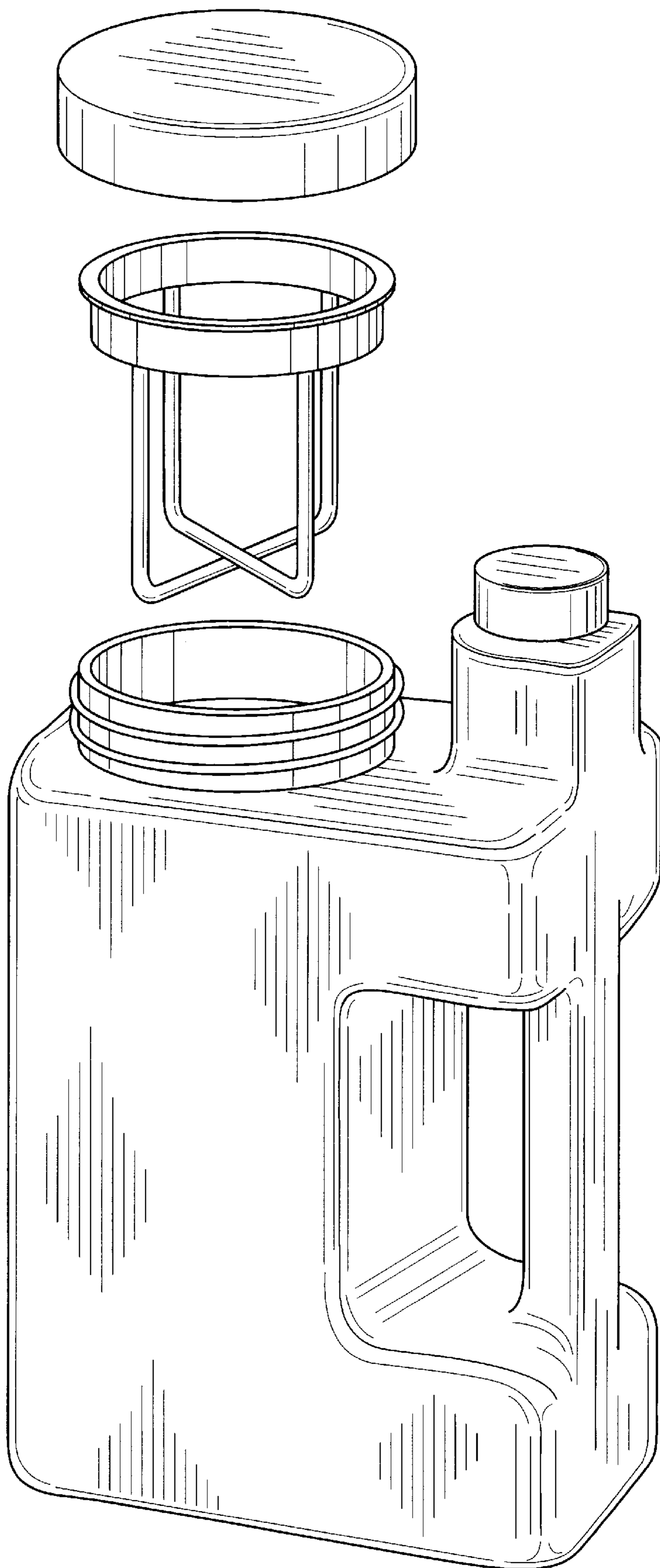


Fig. 1

Fig. 2

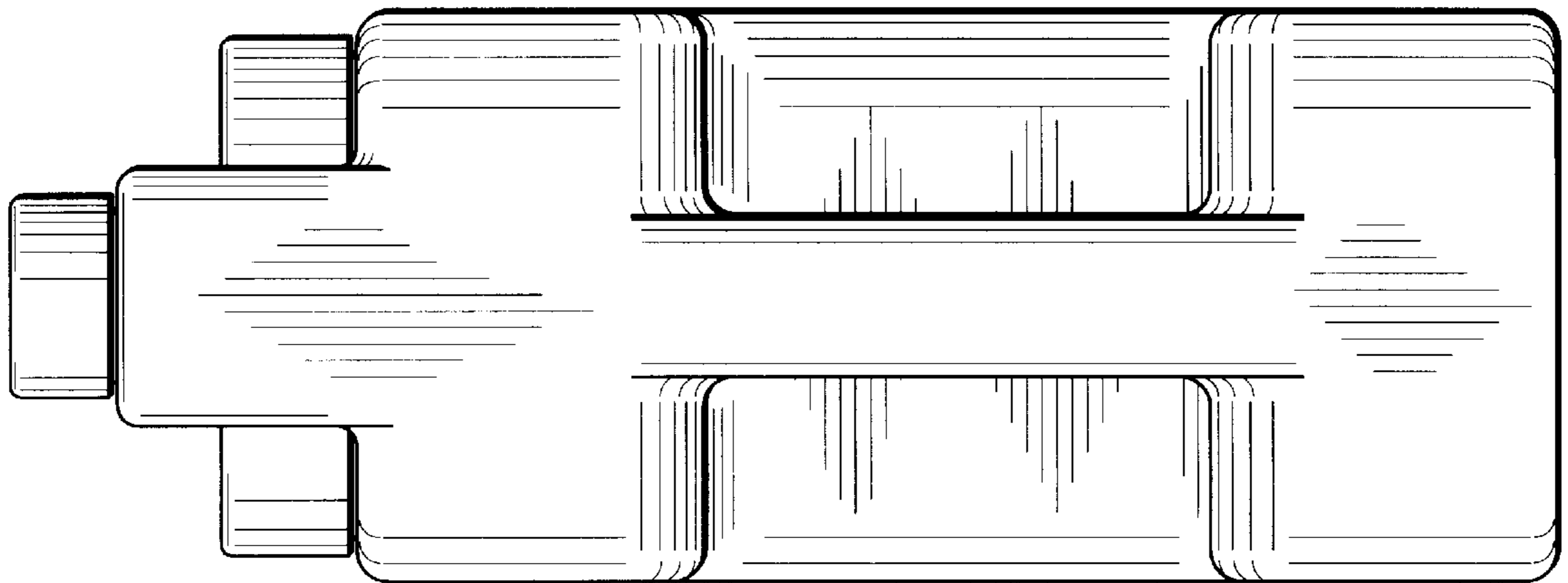
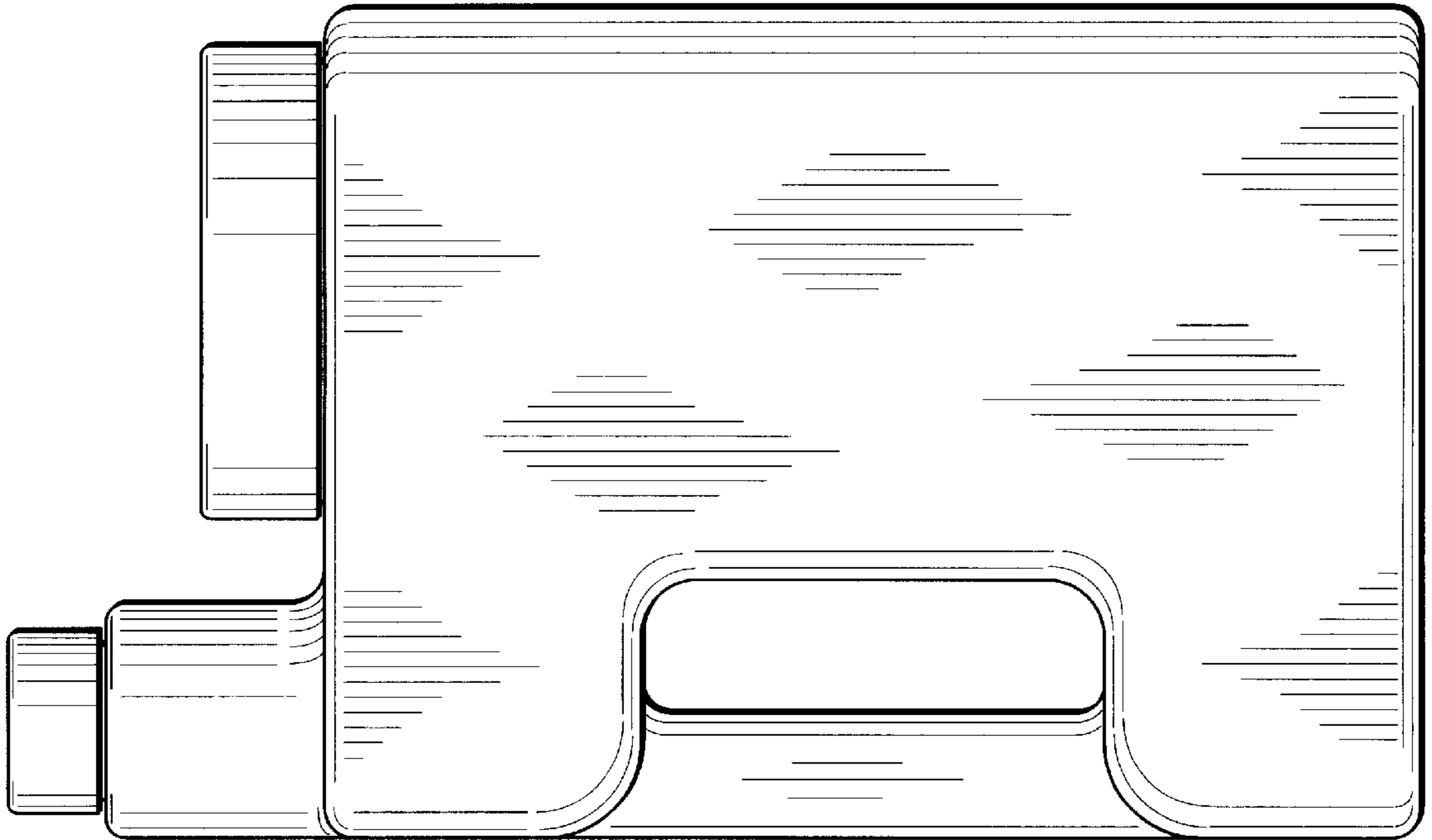


Fig. 3

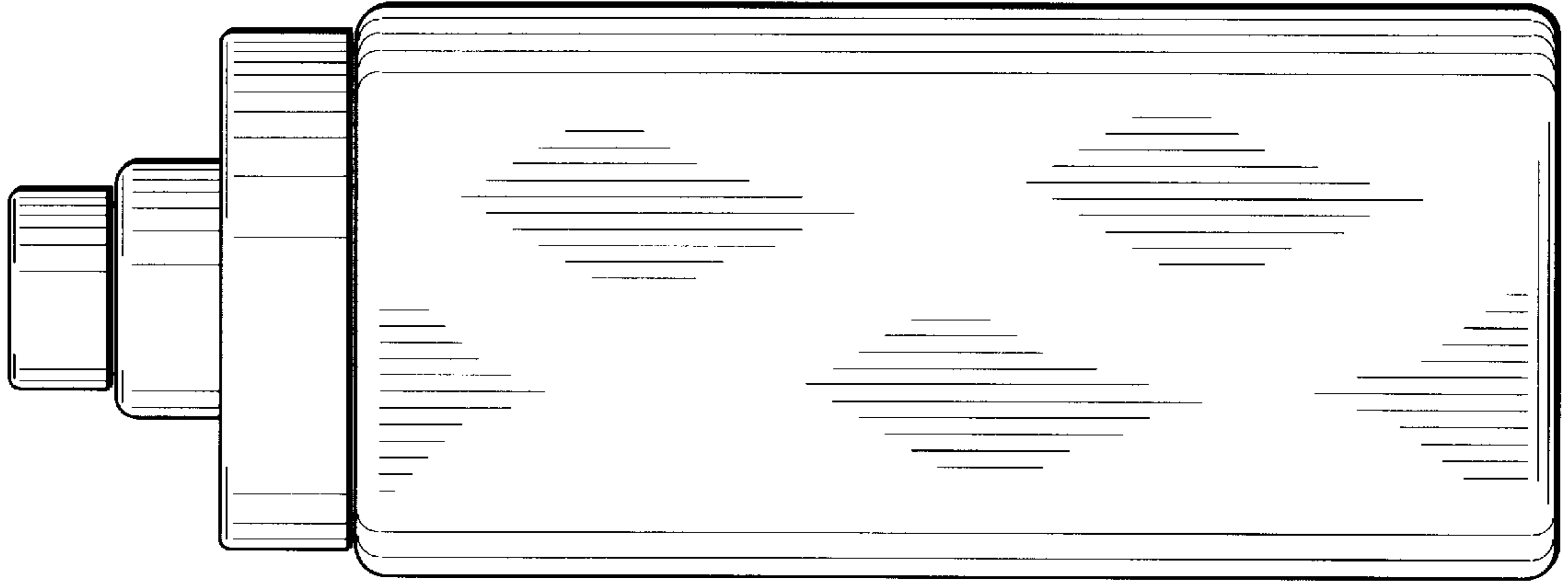


Fig. 4

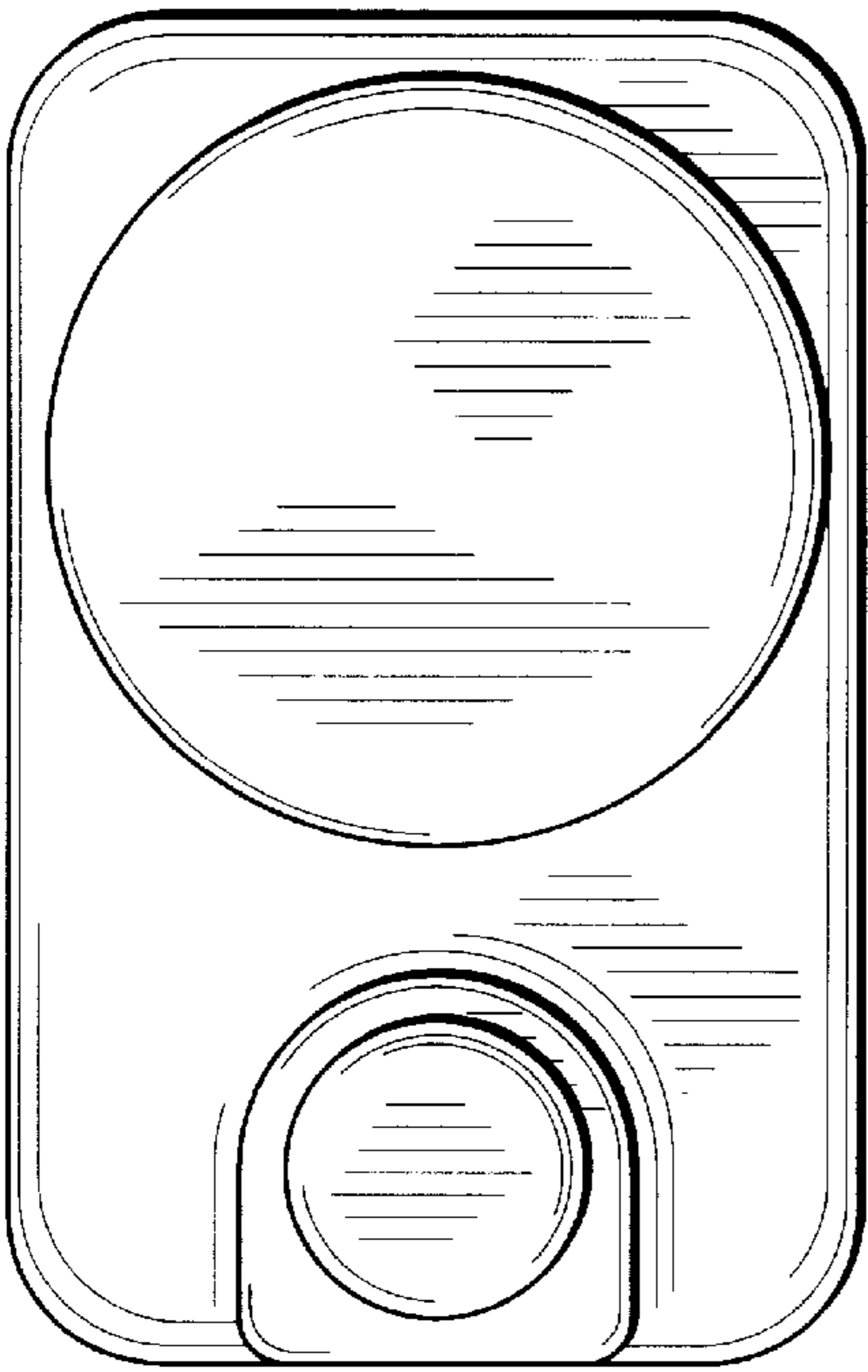


Fig. 5

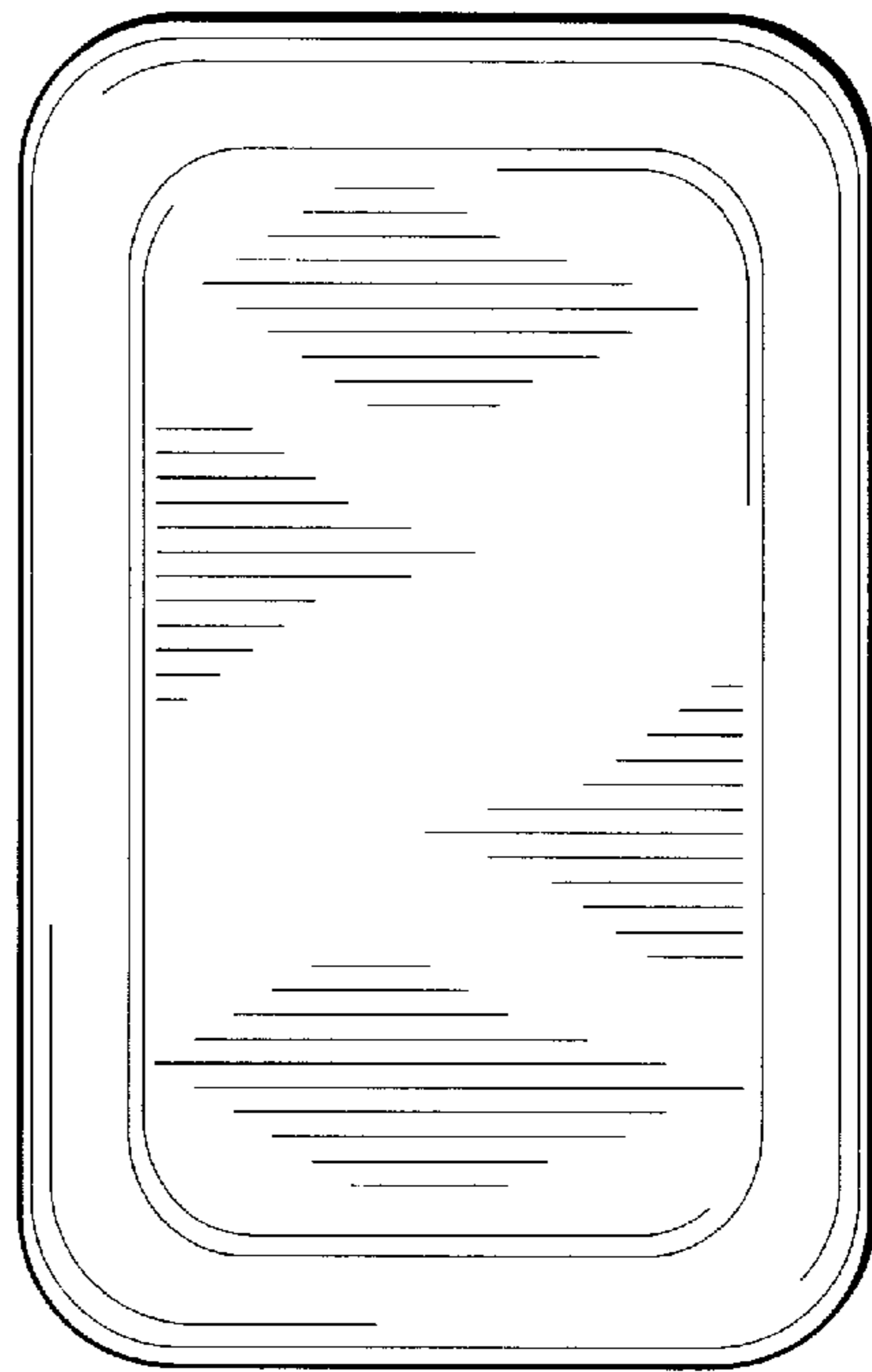


Fig. 6