



US00D404638S

United States Patent [19]
Machijima

[11] **Patent Number: Des. 404,638**

[45] **Date of Patent: **Jan. 26, 1999**

[54] **PROXIMITY-SENSOR MOUNT FOR A FLUID PRESSURE CYLINDER**

Attorney, Agent, or Firm—Oblon, Spivak, McClelland, Maier & Neustadt, P.C.

[75] Inventor: **Mitsuru Machijima**, Yawara-mura, Japan

[57] **CLAIM**

The ornamental design for proximity-sensor mount for a fluid pressure cylinder, as shown and described.

[73] Assignee: **SMC Corporation**, Tokyo, Japan

[**] Term: **14 Years**

DESCRIPTION

[21] Appl. No.: **81,721**

FIG. 1 is a front elevational view of proximity-sensor mount for a fluid pressure cylinder embodying my new design;

[22] Filed: **Jan. 8, 1998**

FIG. 2 is a bottom view thereof;

[30] **Foreign Application Priority Data**

Jul. 8, 1997 [JP] Japan 9-60816

FIG. 3 is a rear elevational view thereof;

[51] **LOC (6) Cl.** **08-05**

FIG. 4 is a right side elevational view thereof;

[52] **U.S. Cl.** **D8/354**

FIG. 5 is a top plan view thereof;

[58] **Field of Search** D8/349, 356, 354, D8/394-396; 24/336, 339, 546; 248/68.1, 74.1-74.4, 224.51, 223.31, 224.61, 229.1, 316.1

FIG. 6 is a cross-sectional view thereof taken along lines 6-6 in FIG. 1;

FIG. 7 is a top, front and left side perspective view thereof when in use with a proximity sensor and fluid pressure cylinder; and,

[56] **References Cited**

U.S. PATENT DOCUMENTS

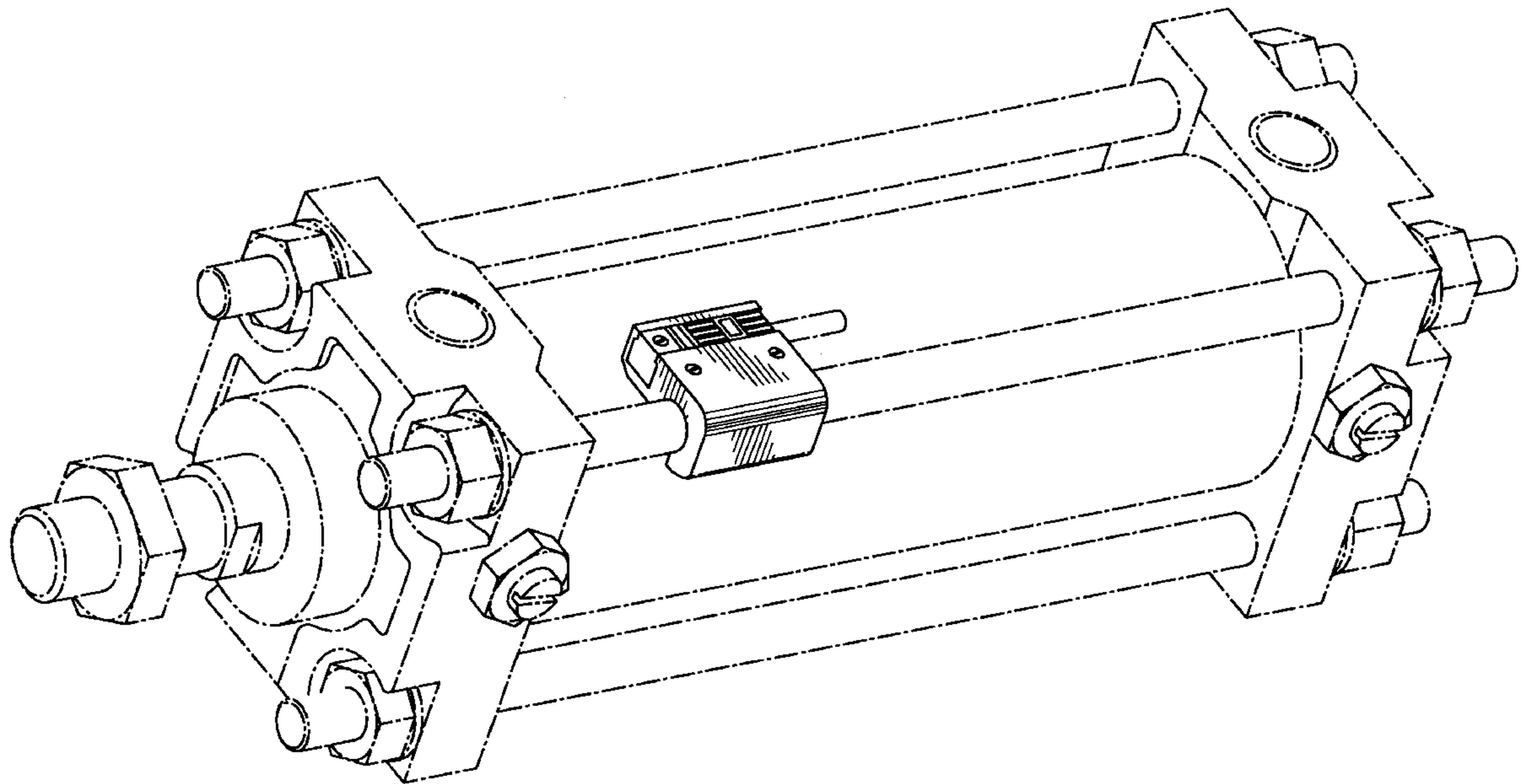
D. 375,449 11/1996 Dahlberg D8/349
3,357,664 12/1967 Geyer 248/74.4

FIG. 8 is a partially enlarged left side view thereof showing the proximity sensor mount when in use with the proximity sensor and fluid pressure cylinder.

The proximity sensor, which is insertable into the proximity-sensor mount and the fluid pressure cylinder shown in phantom lines in FIGS. 7 and 8 are for illustrative purposes only and form no part of the claimed design.

Primary Examiner—Holly Baynham

1 Claim, 3 Drawing Sheets



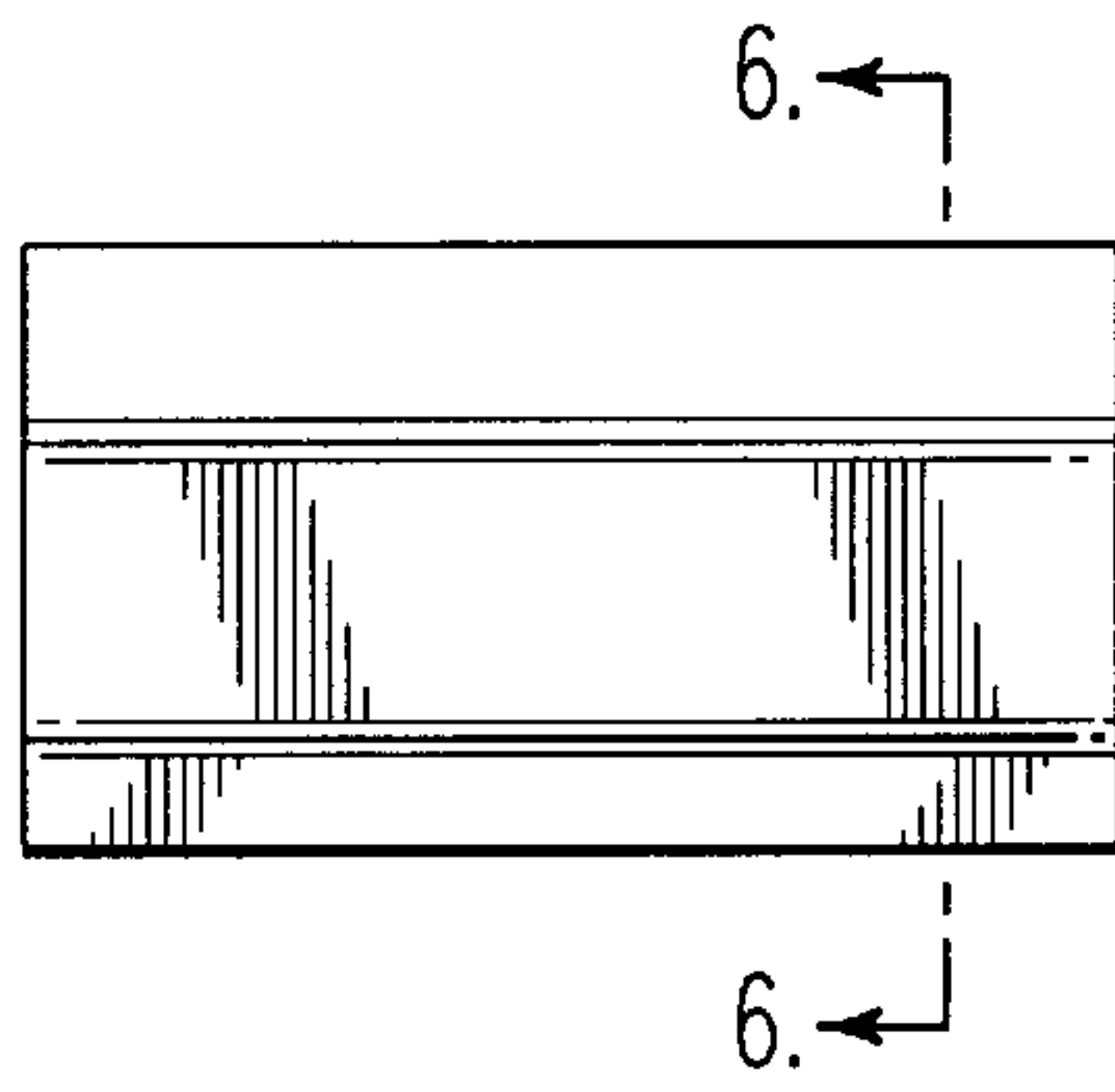


FIG. 1

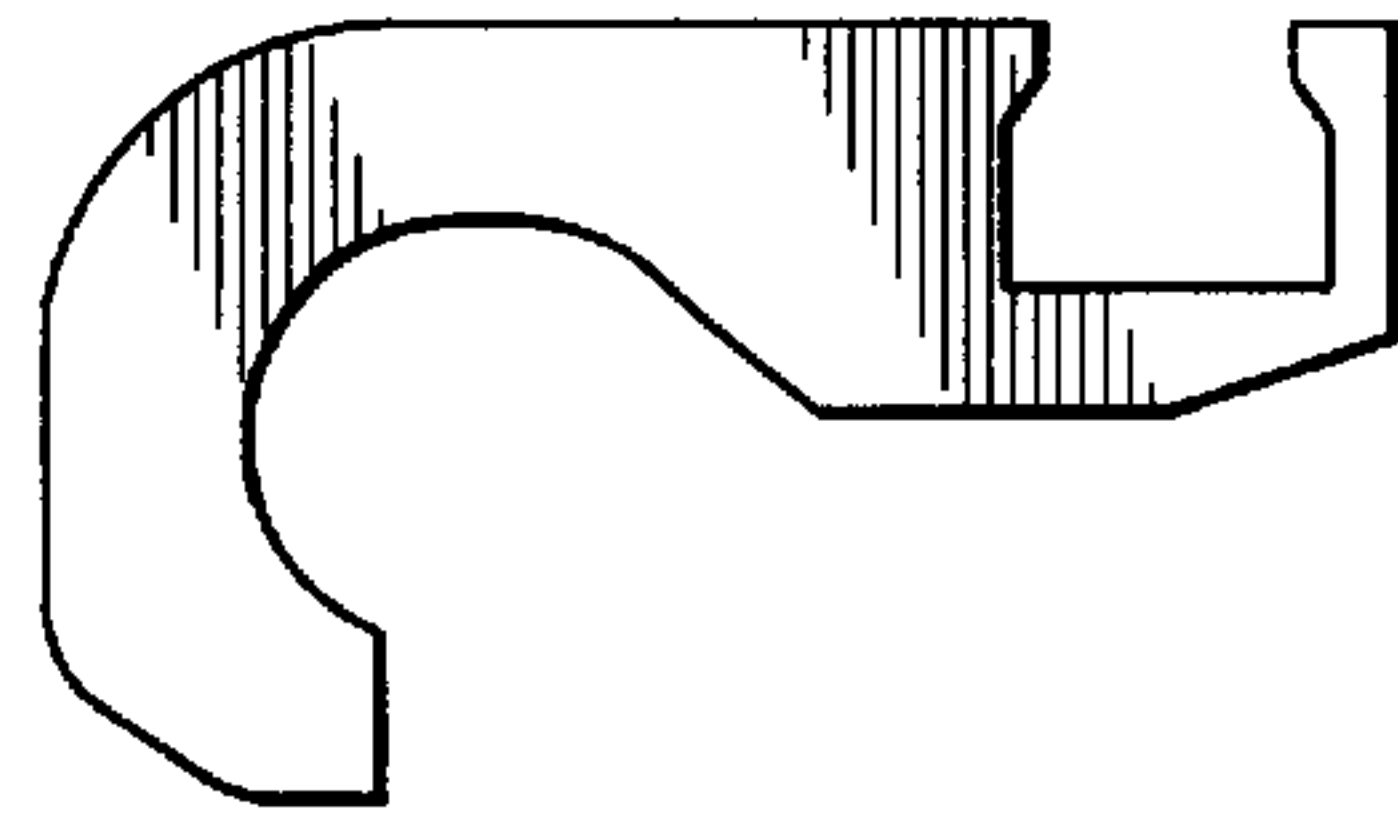


FIG. 4

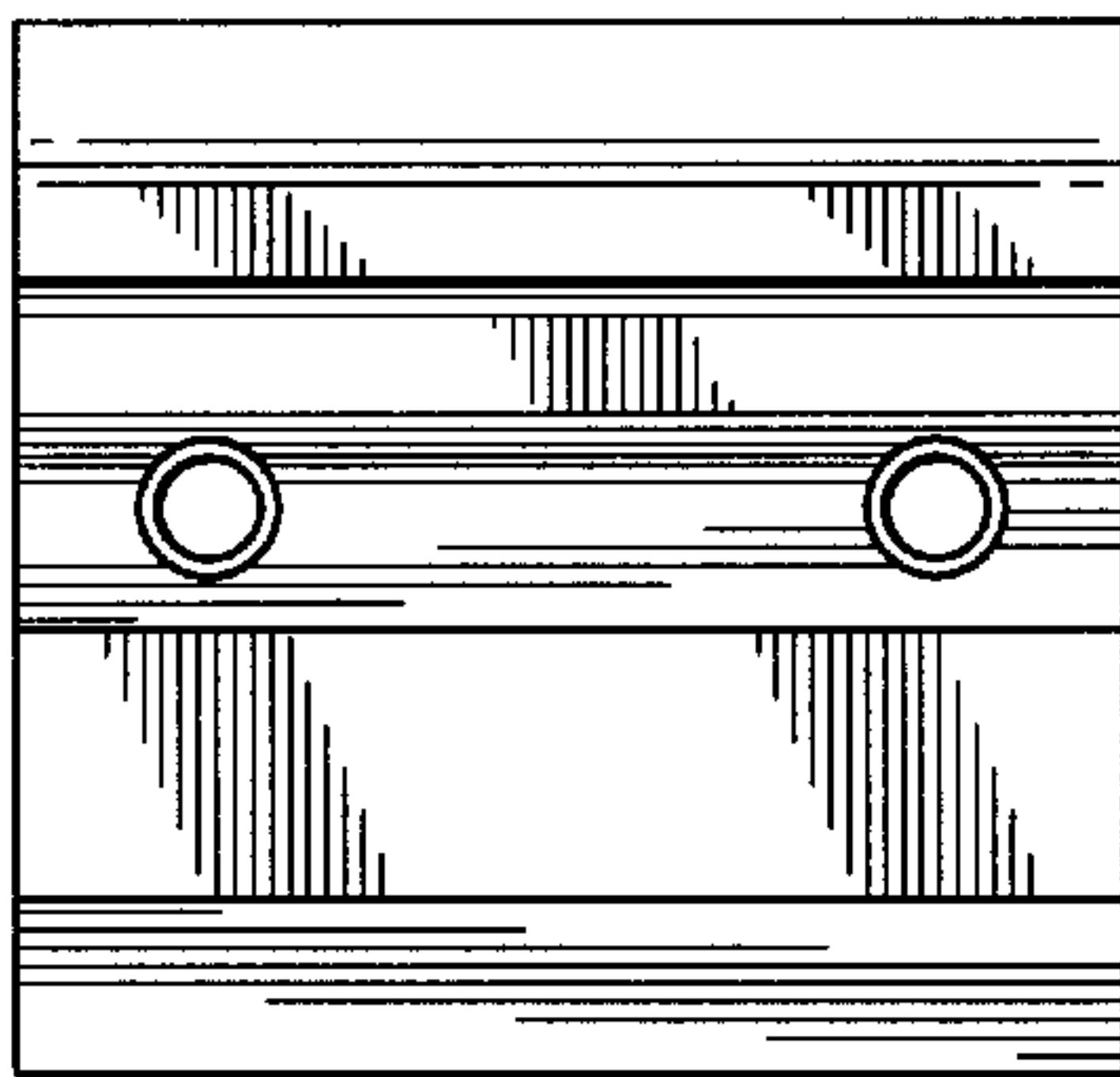


FIG. 2

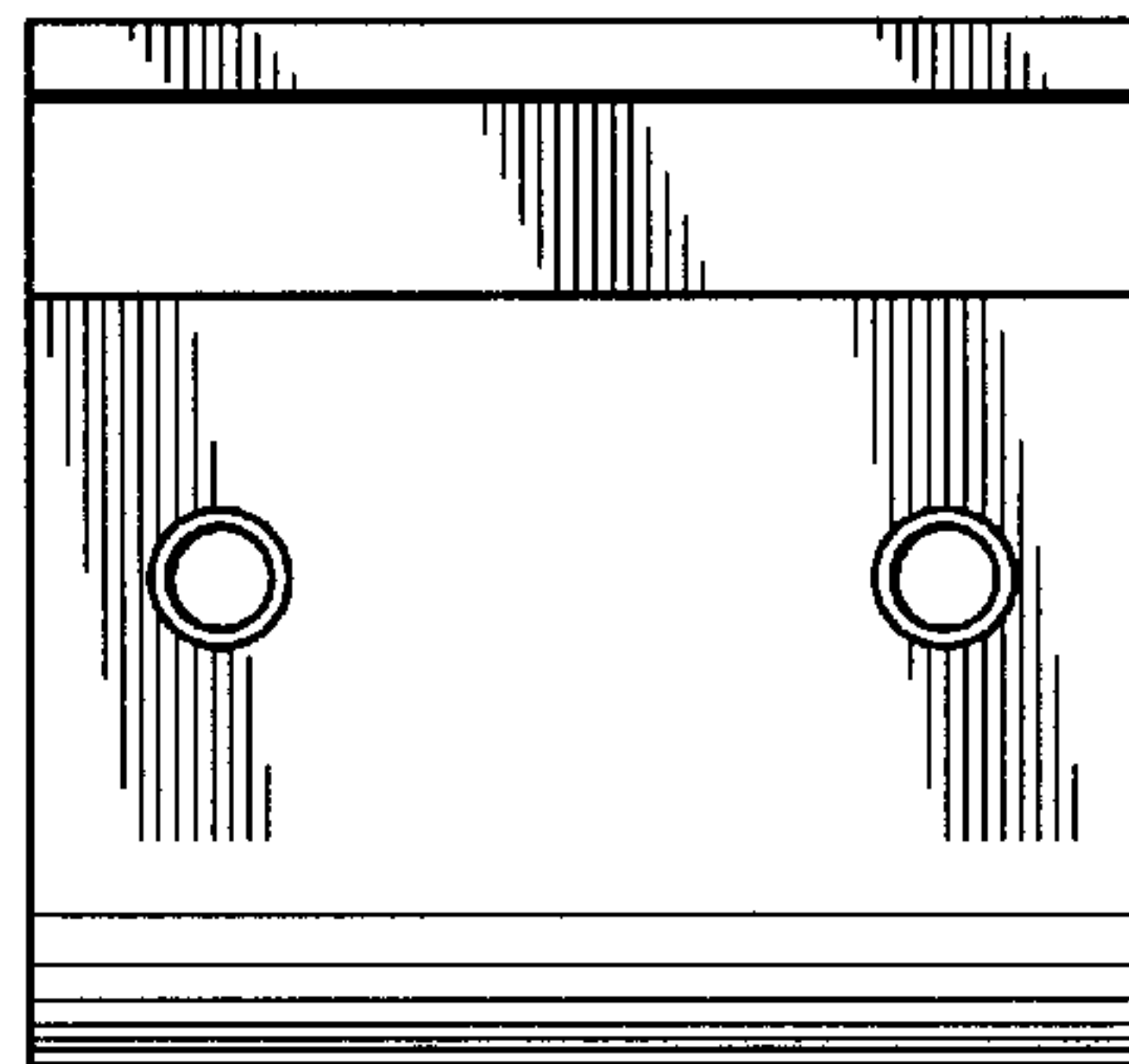


FIG. 5

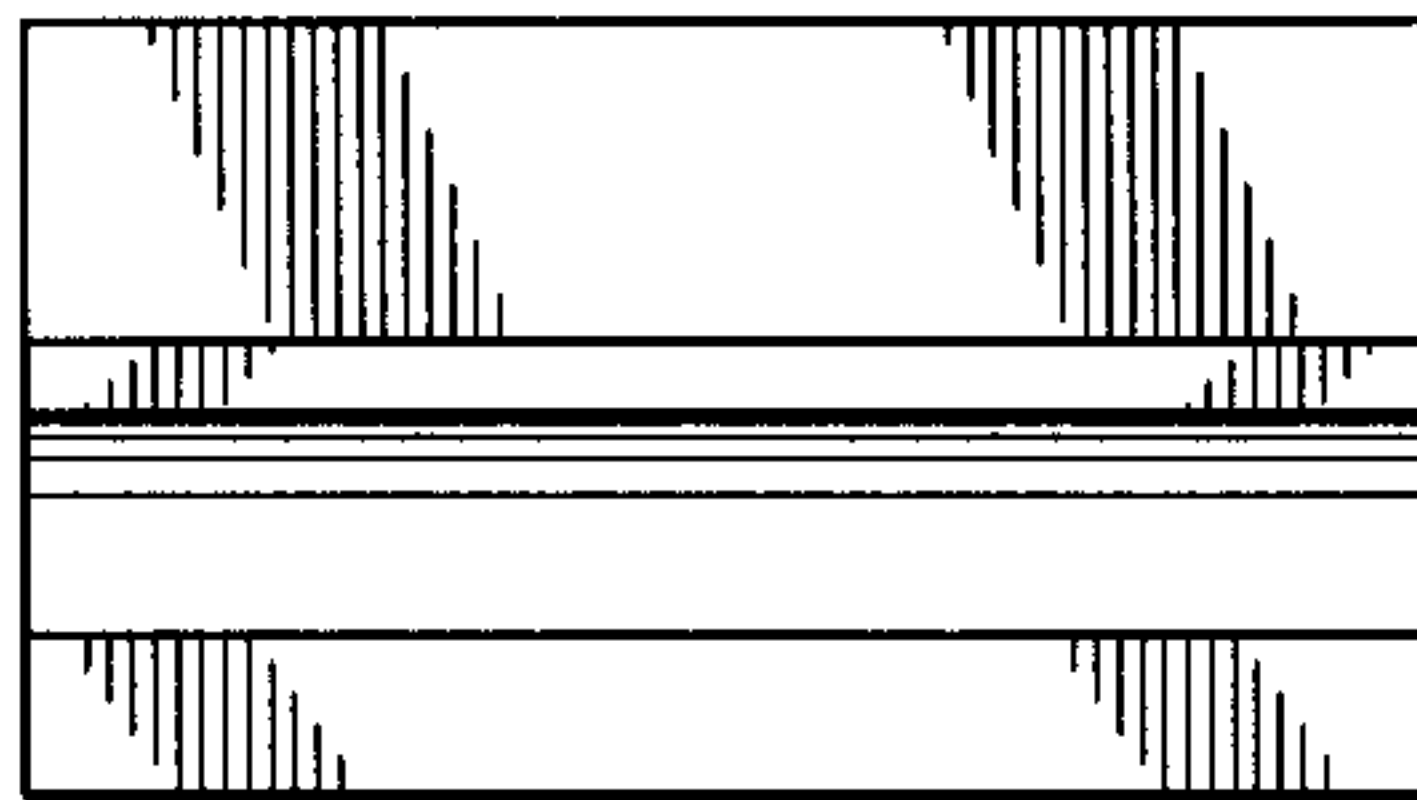


FIG. 3

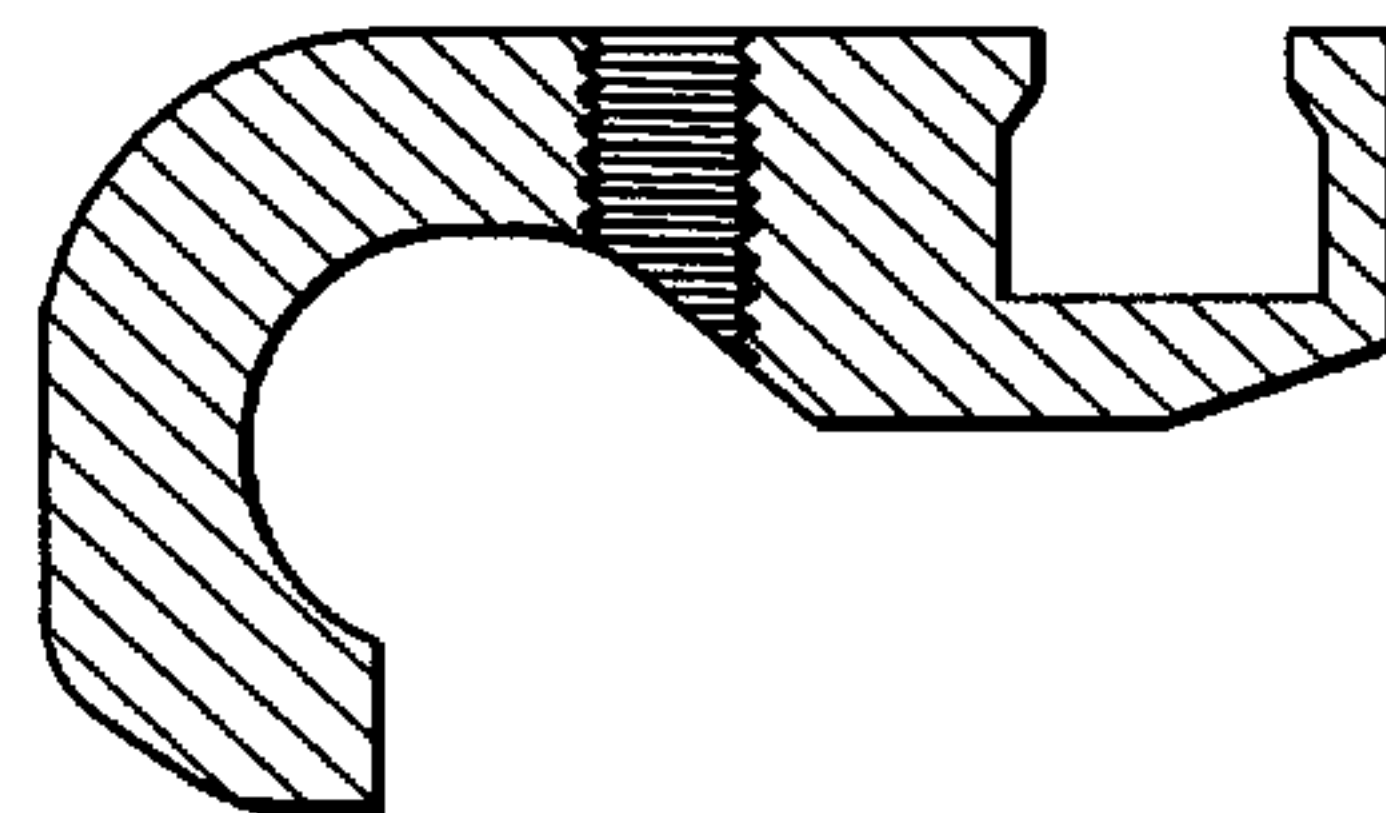


FIG. 6

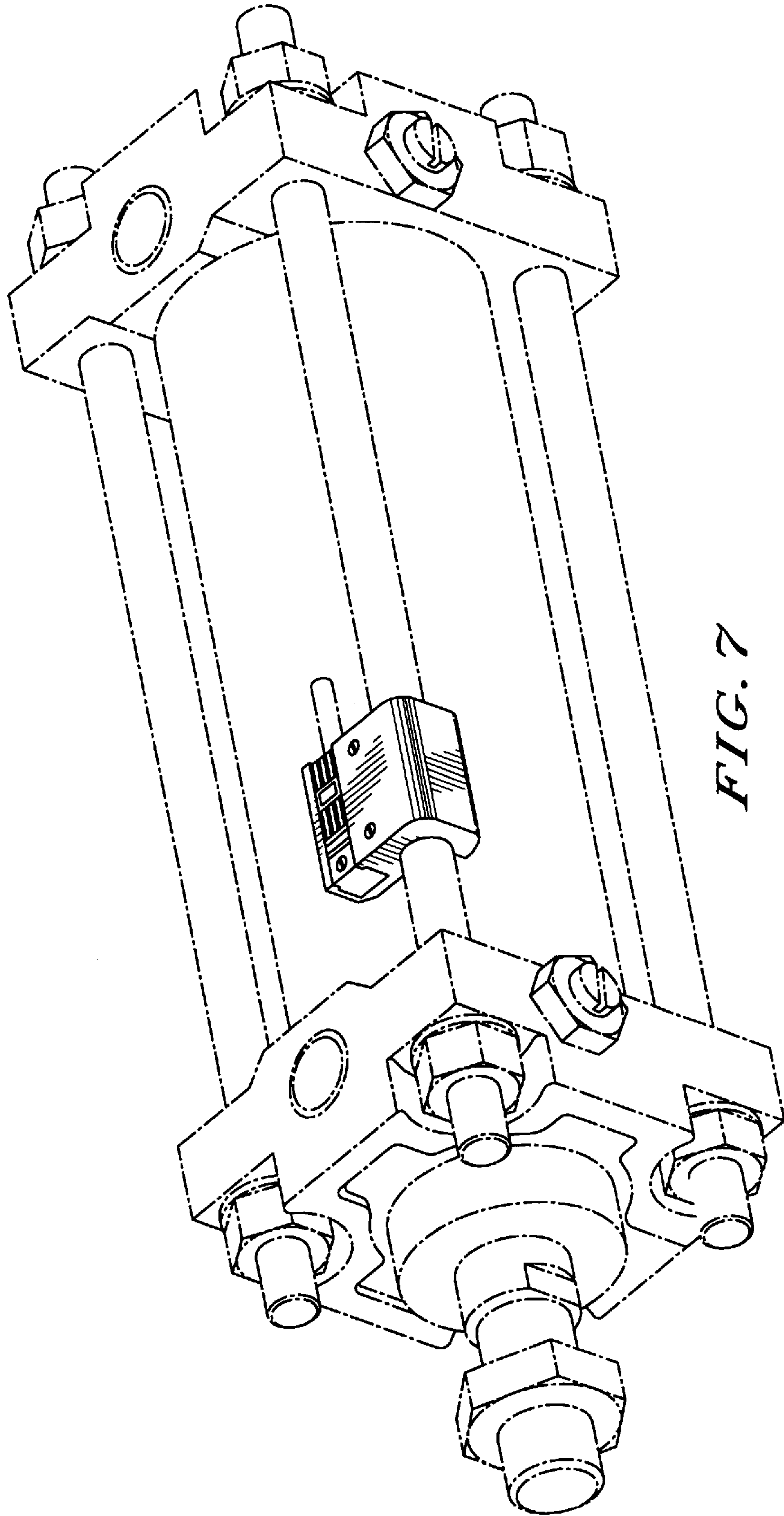


FIG. 7

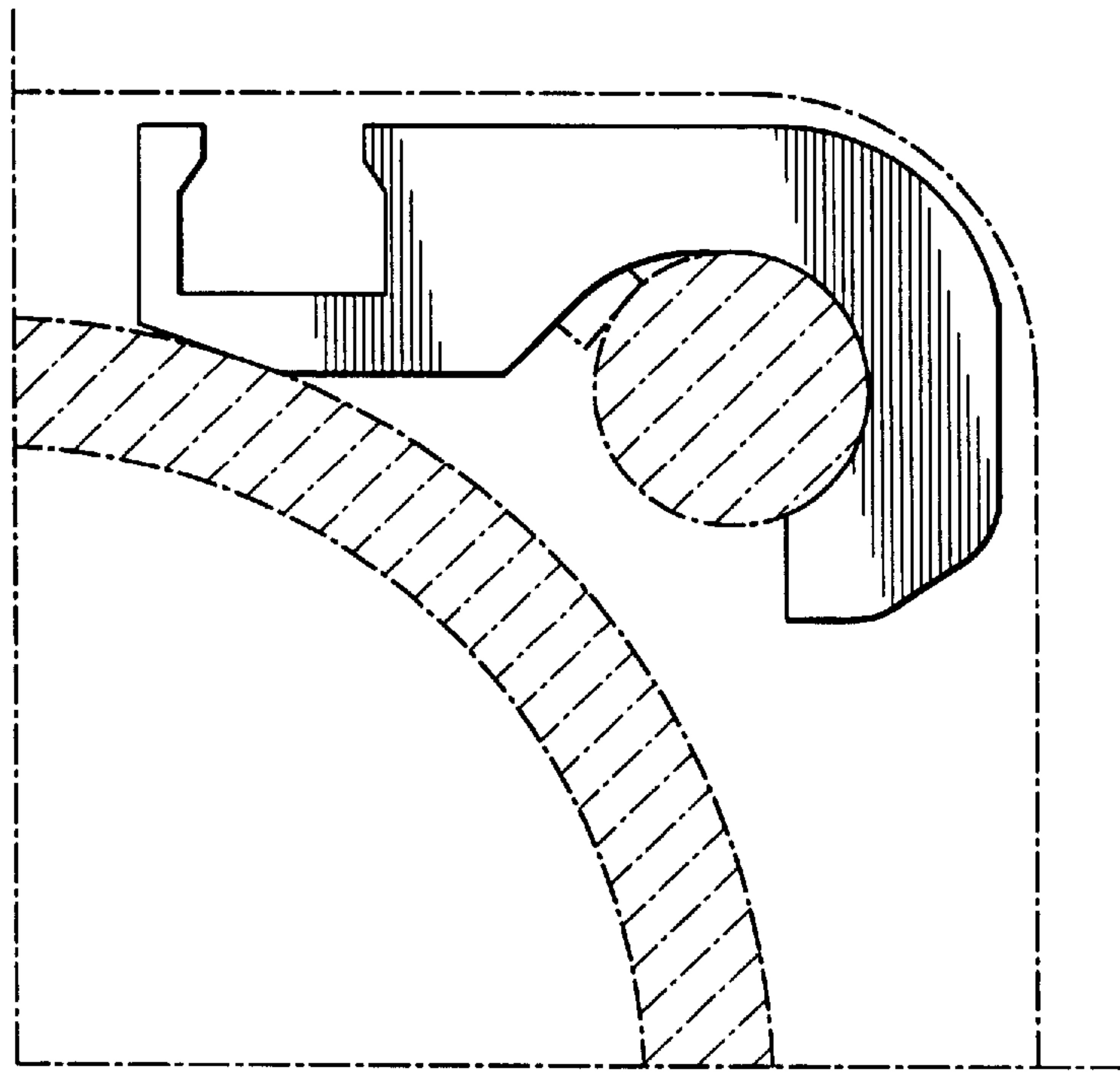


FIG. 8