



US00D404636S

# United States Patent [19] Pepper

[11] Patent Number: **Des. 404,636**

[45] Date of Patent: **\*\*Jan. 26, 1999**

[54] **CLUTCH OR BRAKE PEDAL LOCKING ASSEMBLY FOR PREVENTION OF AUTOMOBILE THEFT**

5,482,136 1/1996 Sorkon ..... 70/237  
5,537,846 7/1996 Simon ..... 70/237

[76] Inventor: **Richard Pepper**, 1 Canonbie Close, Arnold, Nottingham, United Kingdom, NG5 8RA

*Primary Examiner*—Brian N. Vinson  
*Attorney, Agent, or Firm*—Rader, Fishman & Grauer PLLC

[\*\*] Term: **14 Years**

[57] **CLAIM**

The ornamental design for a clutch or brake pedal locking assembly for prevention of automobile theft, as shown and described.

[21] Appl. No.: **79,146**

**DESCRIPTION**

[22] Filed: **Oct. 23, 1997**

[51] **LOC (6) Cl.** ..... **08-07**

[52] **U.S. Cl.** ..... **D8/331**

[58] **Field of Search** ..... D8/330, 331, 343;  
70/158, 237

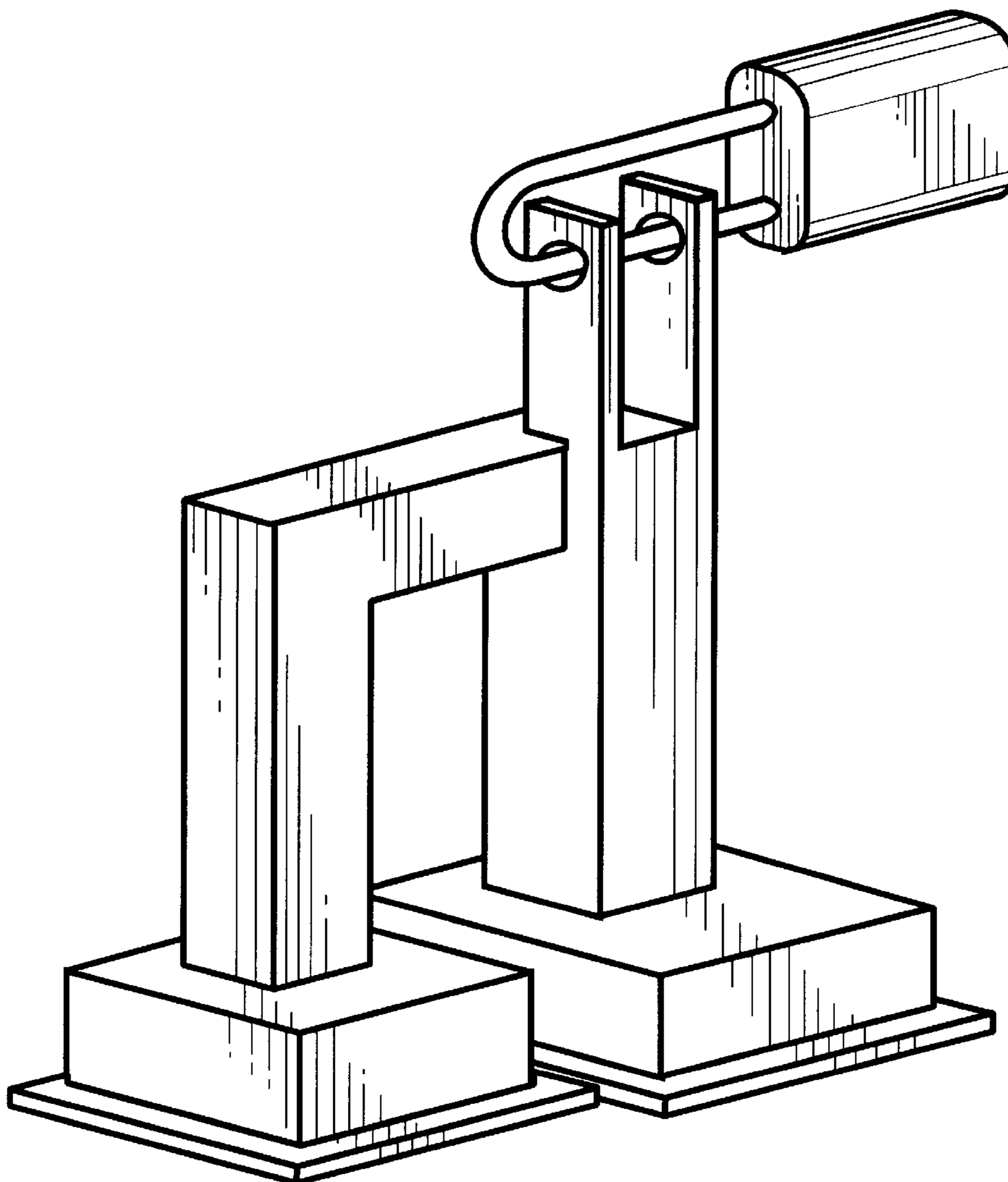
FIG. 1 is a front elevational view of a clutch or brake pedal locking assembly for prevention of automobile theft showing my new design;  
FIG. 2 is a rear elevational view thereof;  
FIG. 3 is a right side elevational view thereof;  
FIG. 4 is a left side elevational view thereof;  
FIG. 5 is a top plan view thereof;  
FIG. 6 is a bottom plan view thereof; and,  
FIG. 7 is an isometric view thereof.

[56] **References Cited**

**U.S. PATENT DOCUMENTS**

4,876,865 10/1989 Trinidad et al. .... 70/237  
5,001,913 3/1991 Gamboni ..... 70/237

**1 Claim, 5 Drawing Sheets**



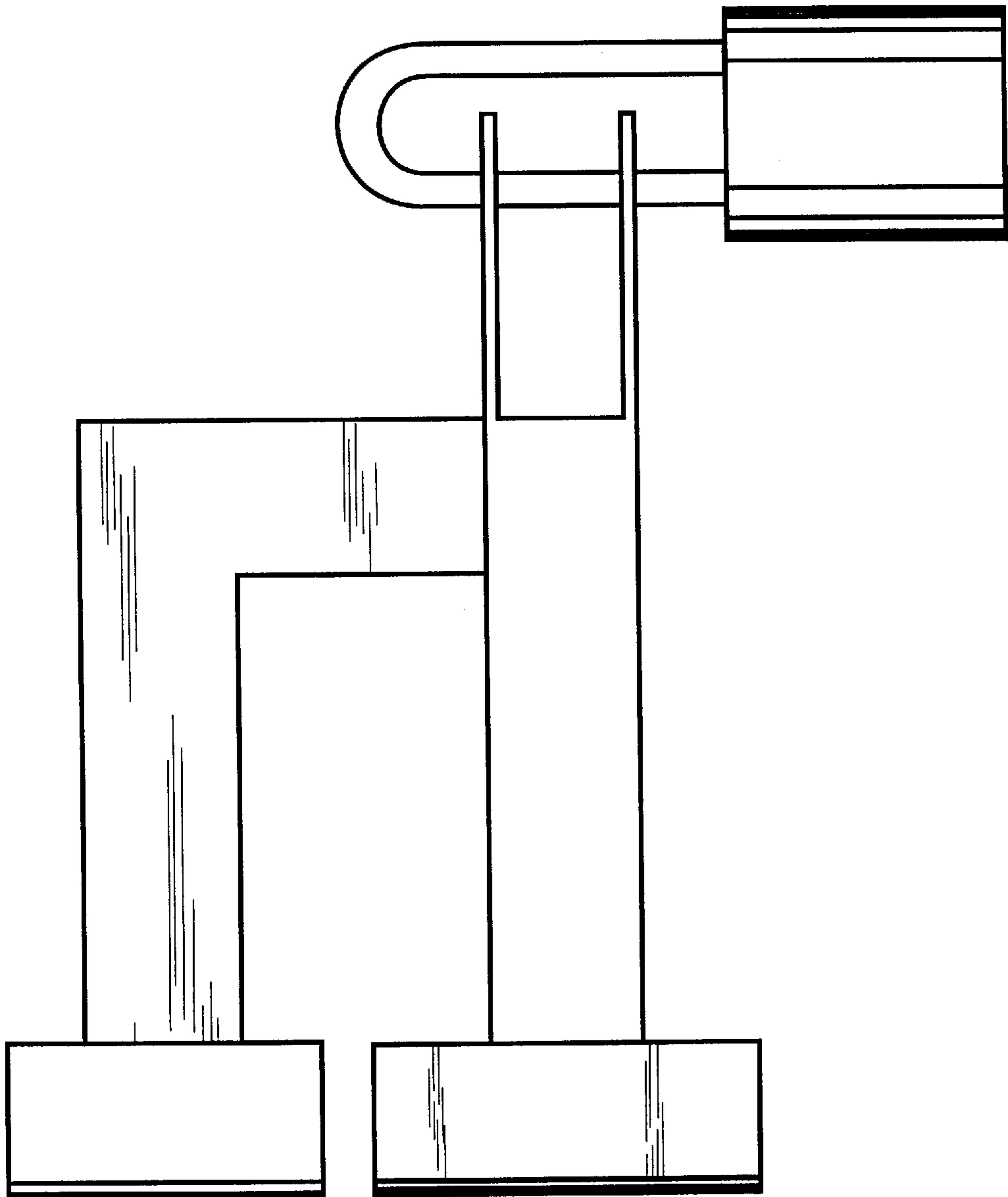


FIG 1

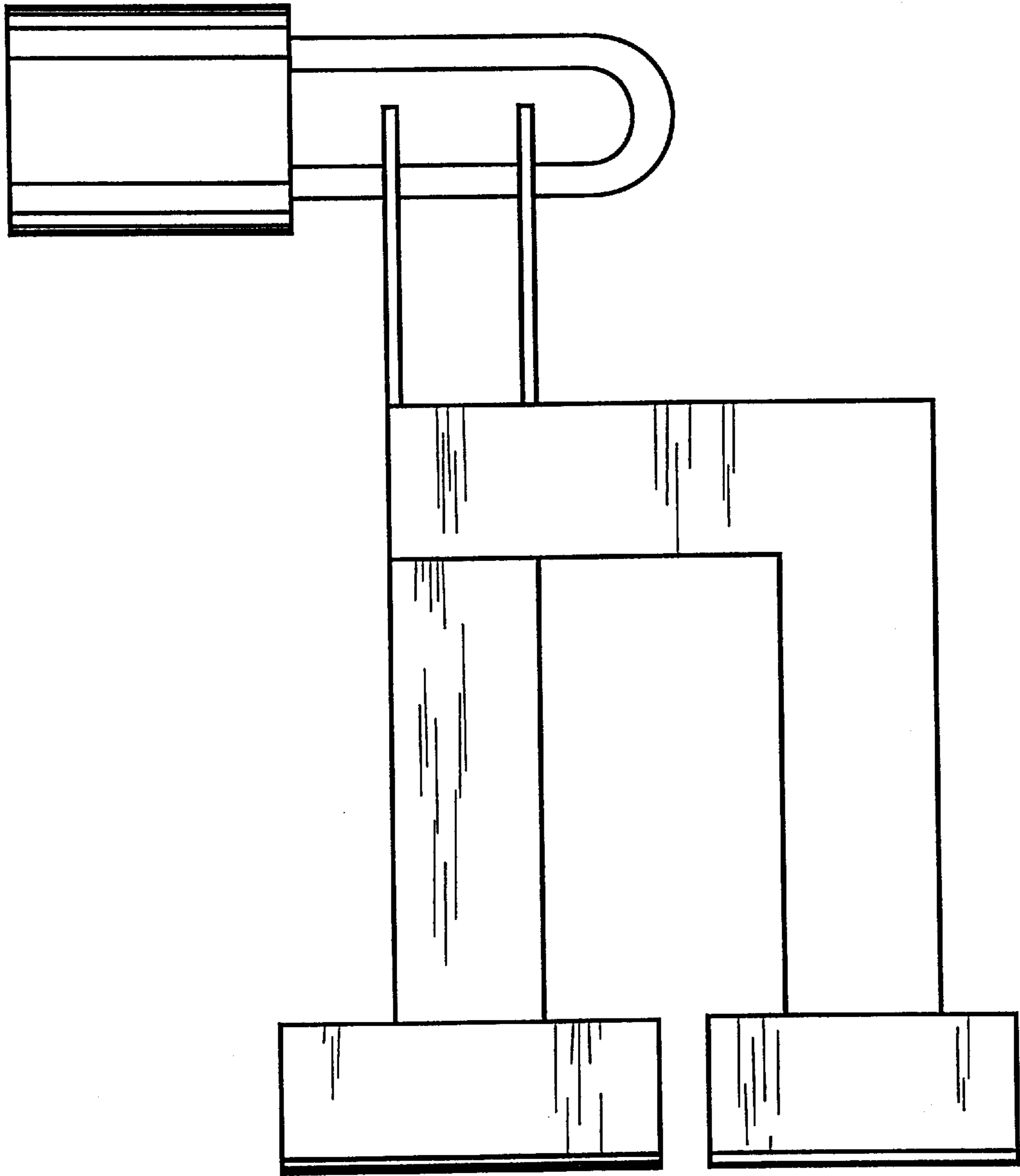


FIG 2

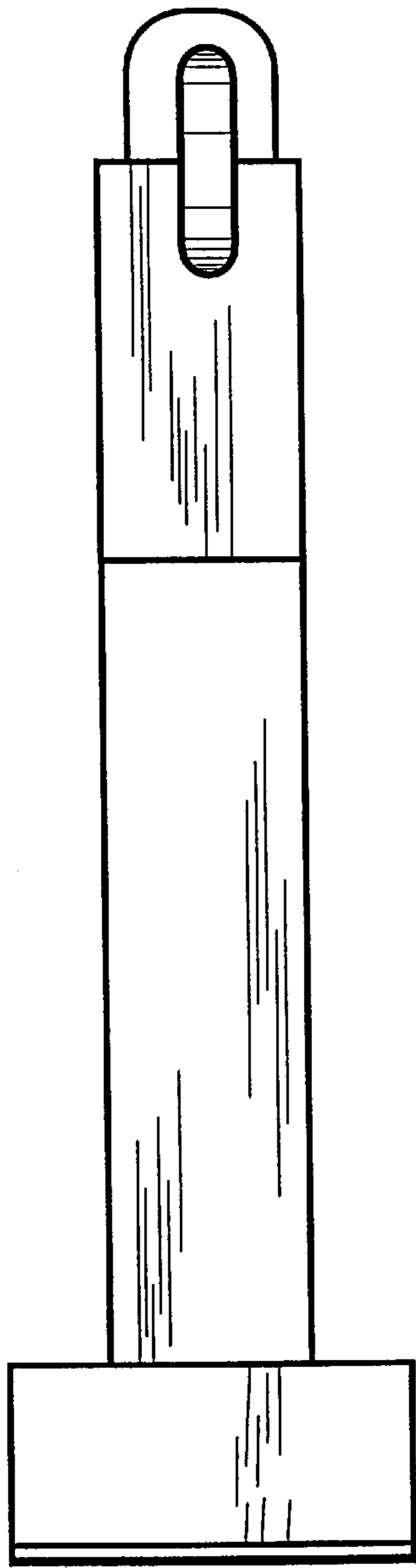


FIG 3

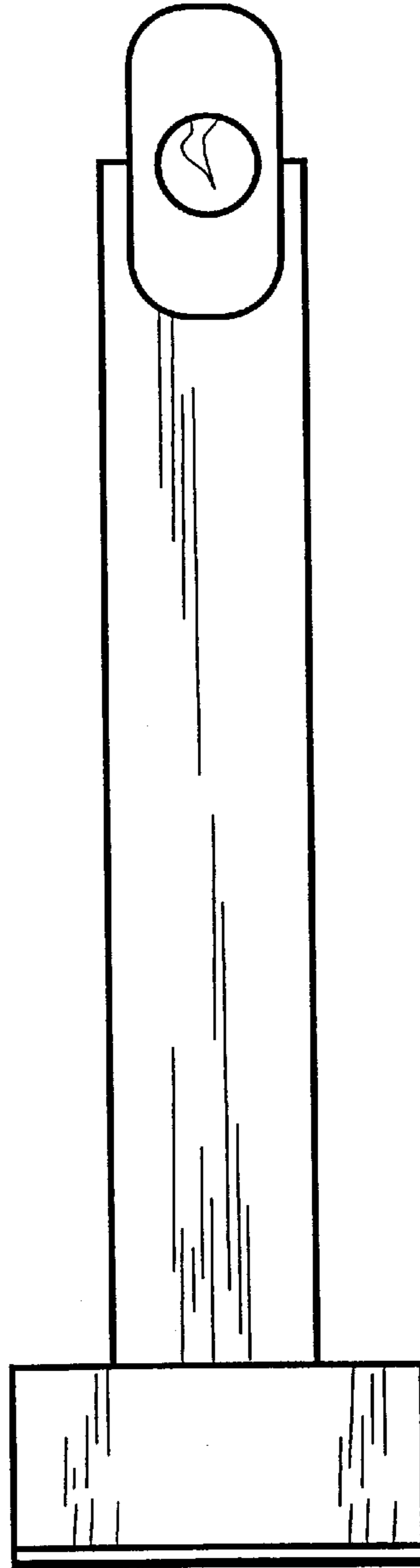


FIG 4

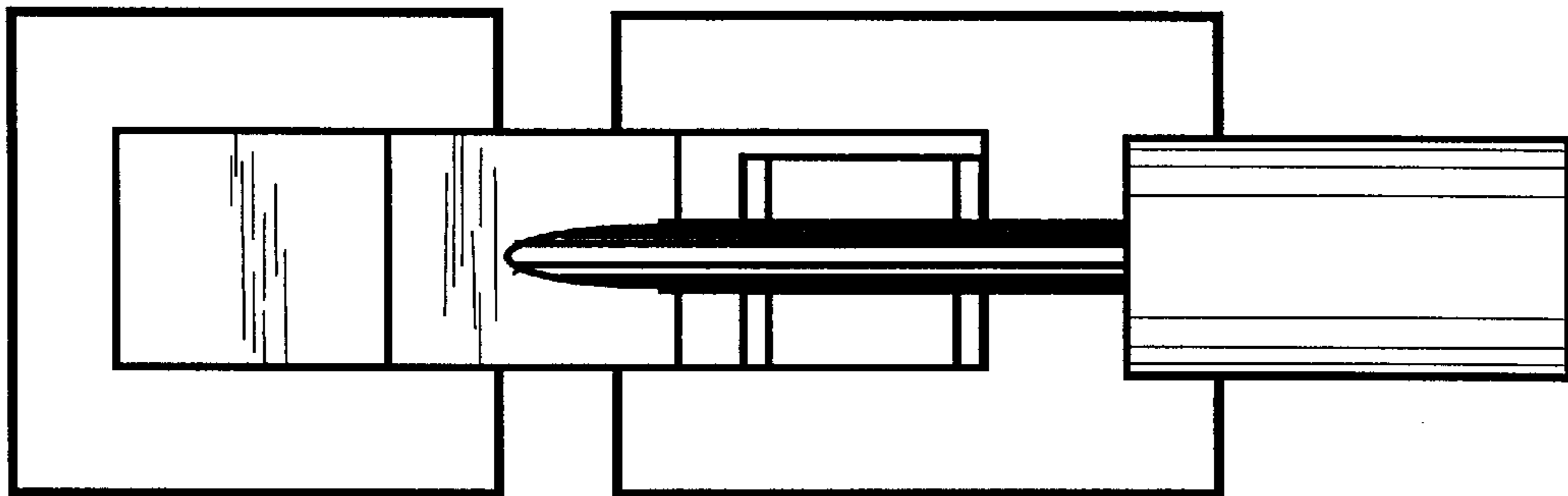


FIG 5

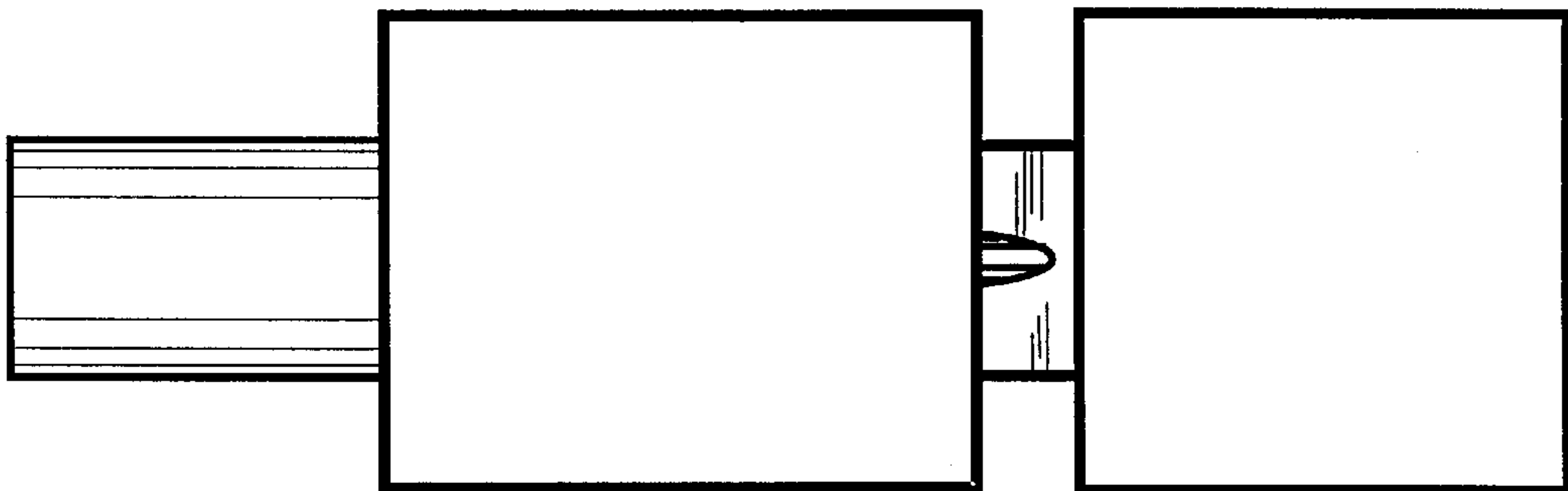


FIG 6

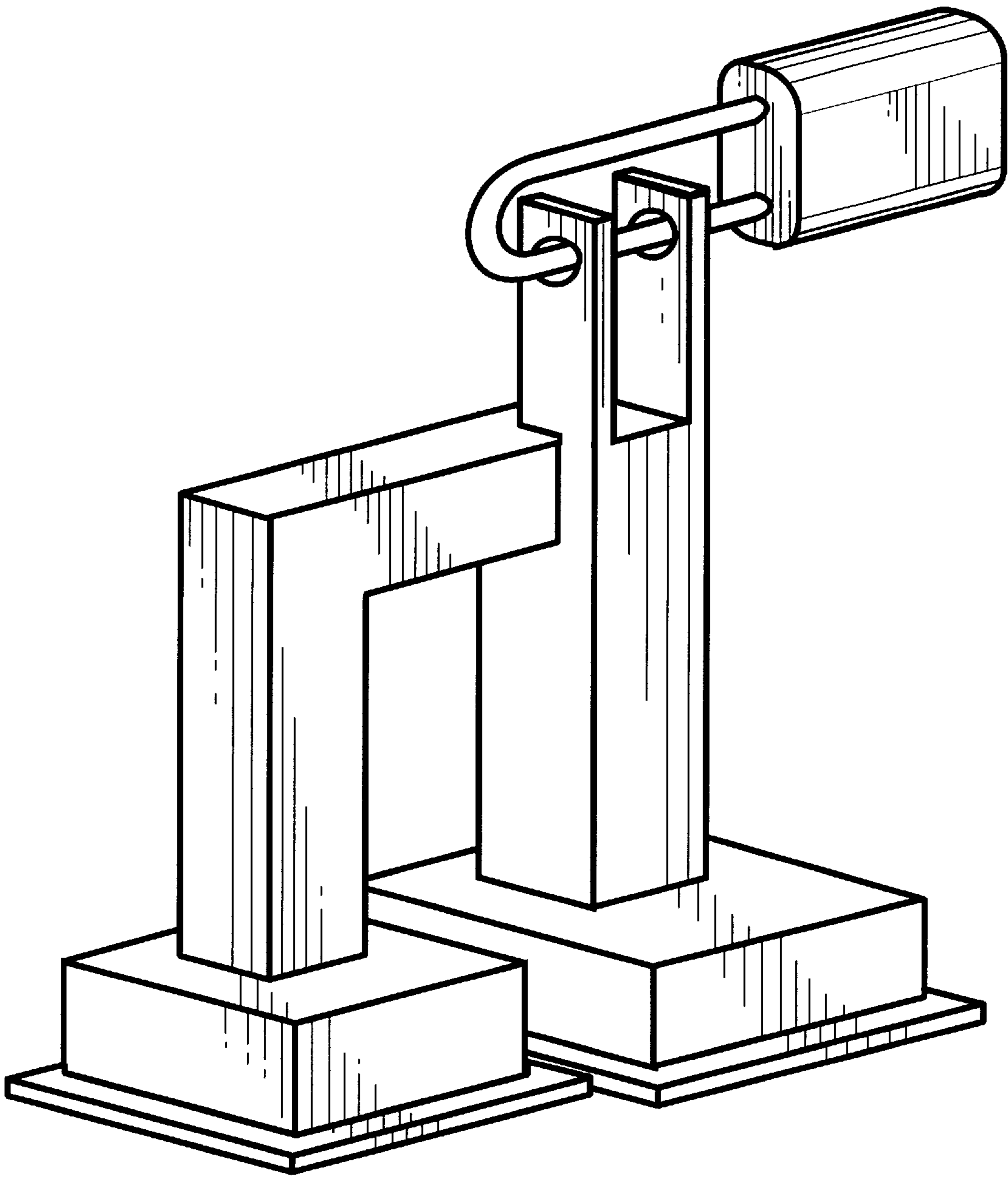


FIG 7