



US00D404634S

United States Patent [19]

Hankel et al.

[11] Patent Number: Des. 404,634

[45] Date of Patent: **Jan. 26, 1999

[54] HANDLE FOR DOORS

[75] Inventors: **Willi Hankel**, Waldeck; **Winfried Scholl**, Düsseldorf, both of Germany

[73] Assignee: **HEWI Heinrich Wilke GmbH**, Arolsen, Germany

[**] Term: 14 Years

[21] Appl. No.: 81,111

[22] Filed: Dec. 22, 1997

Related U.S. Application Data

[62] Division of Ser. No. 57,639, Jul. 29, 1996, Pat. No. Des. 393,994.

Foreign Application Priority Data

Jan. 29, 1996 [DE] Germany M 96 00 781.8

[51] LOC (6) Cl. 08-06

[52] U.S. Cl. D8/302; D8/308; D8/310; D8/353

[58] Field of Search D8/308, 301, 302, D8/353, 310; D23/250, 252; 16/110 R; 292/347, 357, 336.3; 78/519, 523

References Cited

U.S. PATENT DOCUMENTS

D. 186,225 9/1959 Sims D8/353
D. 312,565 12/1990 Abraham et al. D8/301

D. 313,542 1/1991 Fayerman D8/308
D. 339,280 9/1993 Bray et al. D8/301

OTHER PUBLICATIONS

The Ironmonger Inc. Cat.; p. 37; Combined Lever & Escutcheon 103-230.E, © 1983.

The Ironmonger Inc. Cat.; p. 65; Knob (Left of Center), © 1983.

Primary Examiner—B. J. Bullock
Attorney, Agent, or Firm—Michael J. Striker

[57] CLAIM

The ornamental design for a handle for doors, as shown and described.

DESCRIPTION

FIG. 1 is a front perspective of a handle for doors showing my new design;
FIG. 2 is a right side view thereof, the side opposite being a mirror image;
FIG. 3 is a front view thereof;
FIG. 4 is a top plan view thereof;
FIG. 5 is a bottom plan view thereof;
FIG. 6 is a front perspective of a handle for doors showing an alternate embodiment of my new design;
FIG. 7 is a right side view thereof, the side opposite being substantially a mirror image;
FIG. 8 is a front view thereof;
FIG. 9 is a top plan view thereof; and,
FIG. 10 is a bottom plan view thereof.

1 Claim, 4 Drawing Sheets

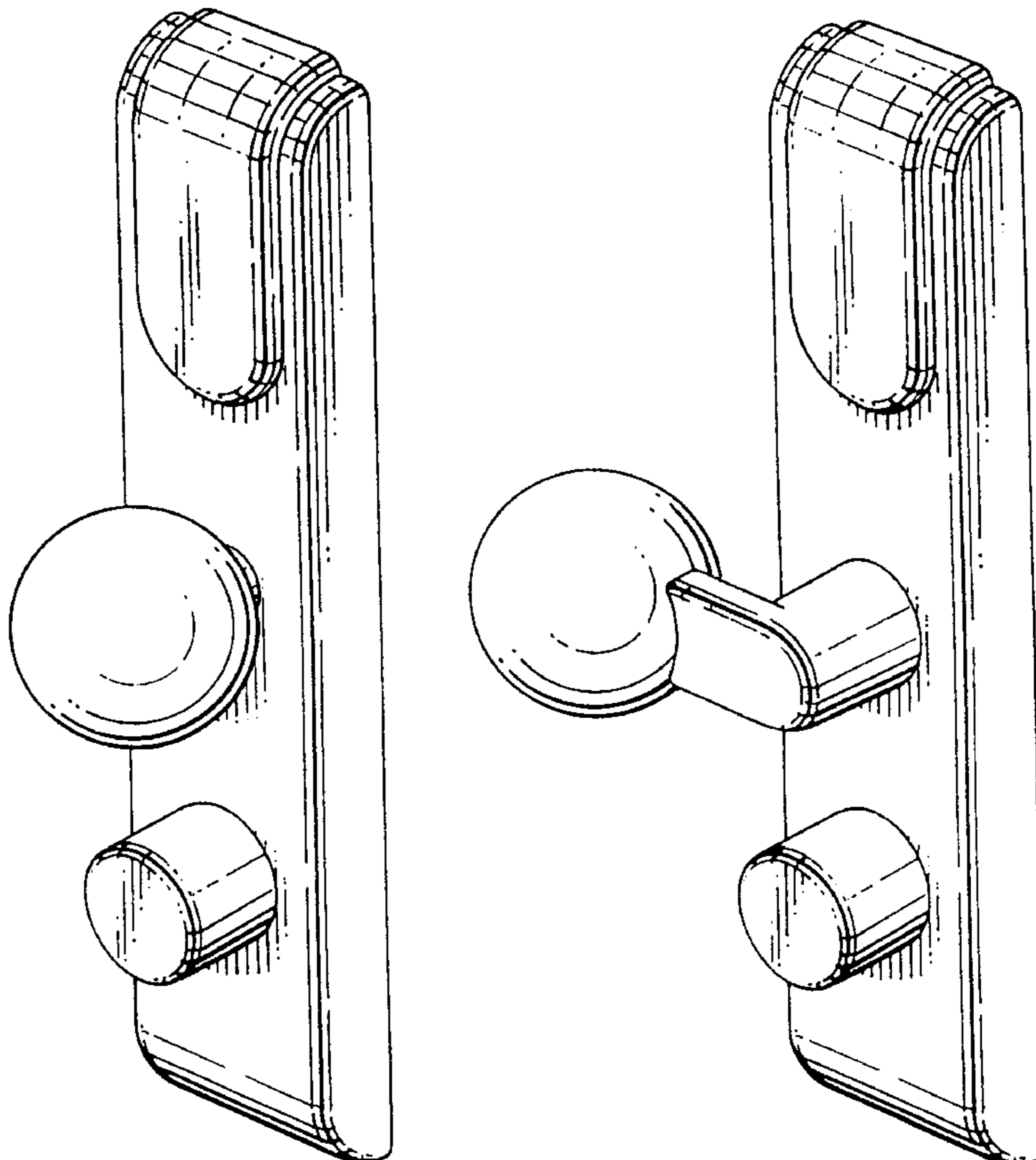


Fig. 1

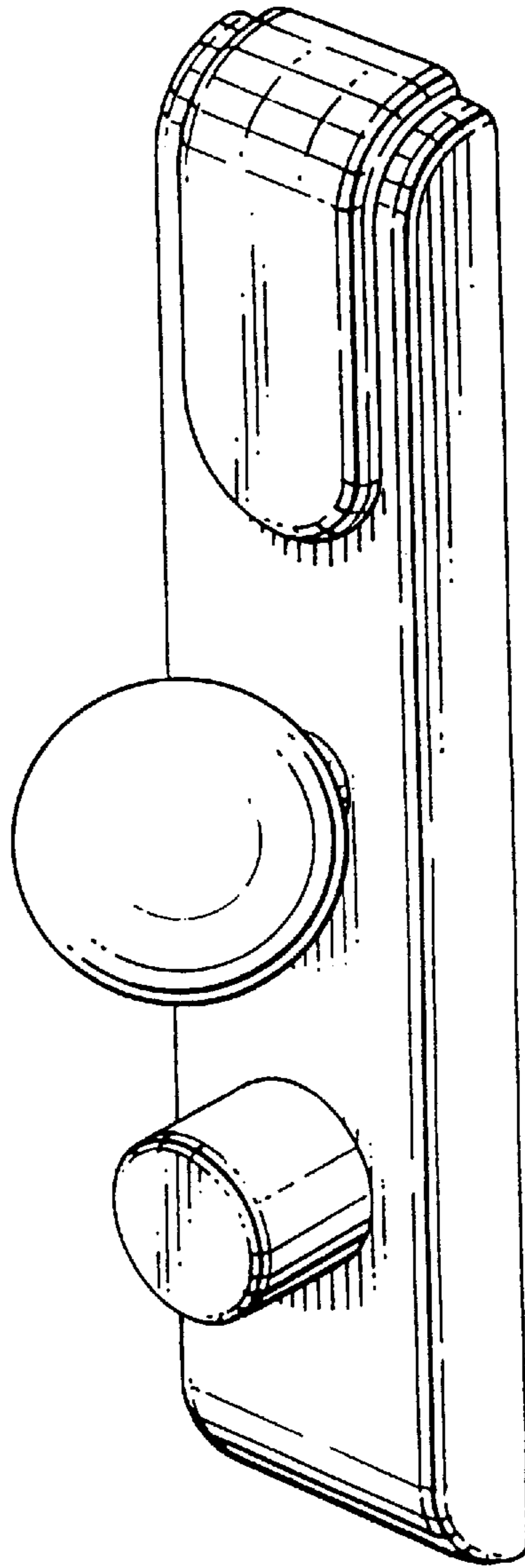


Fig. 2

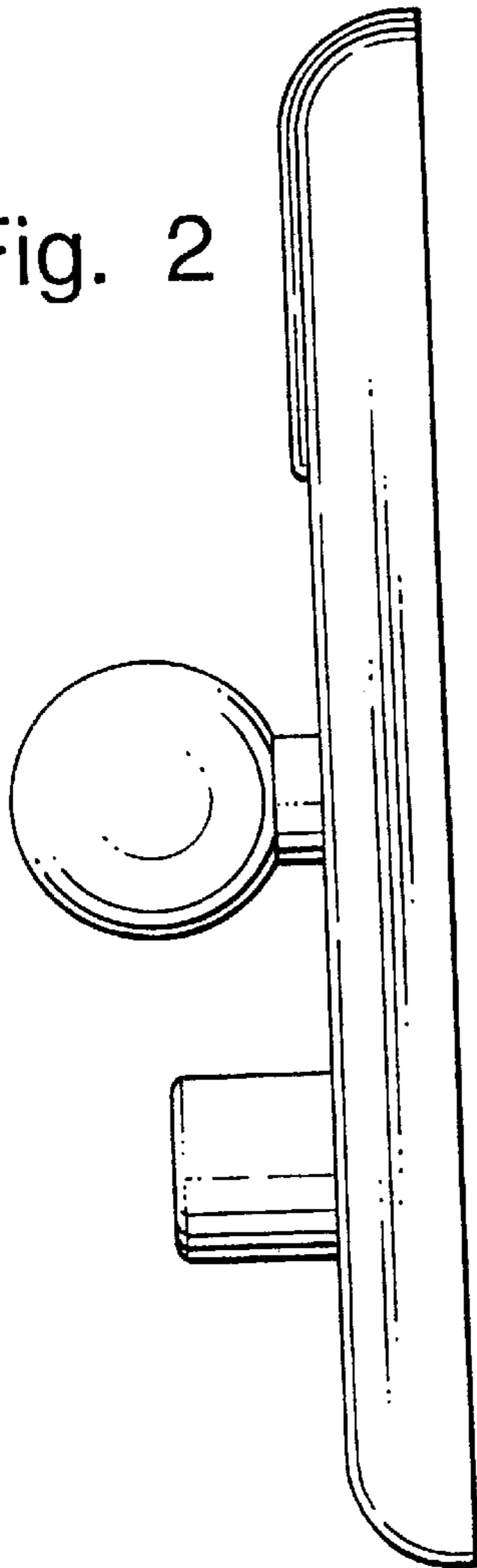


Fig. 3

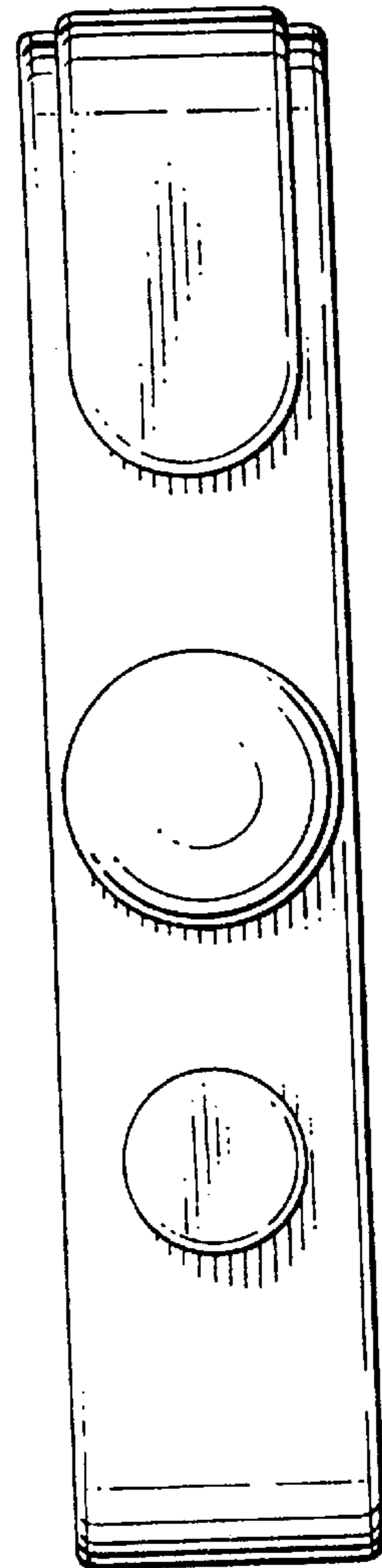


Fig. 4.

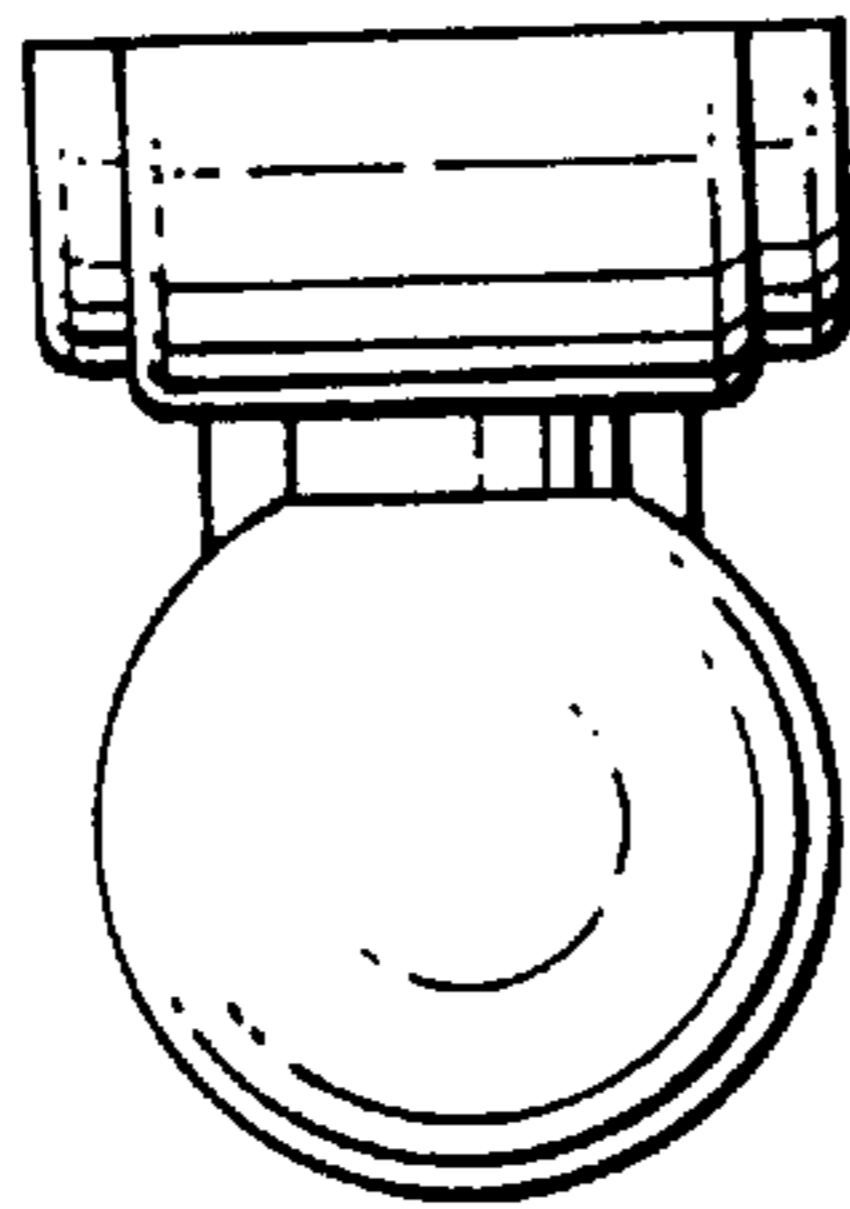


Fig. 5

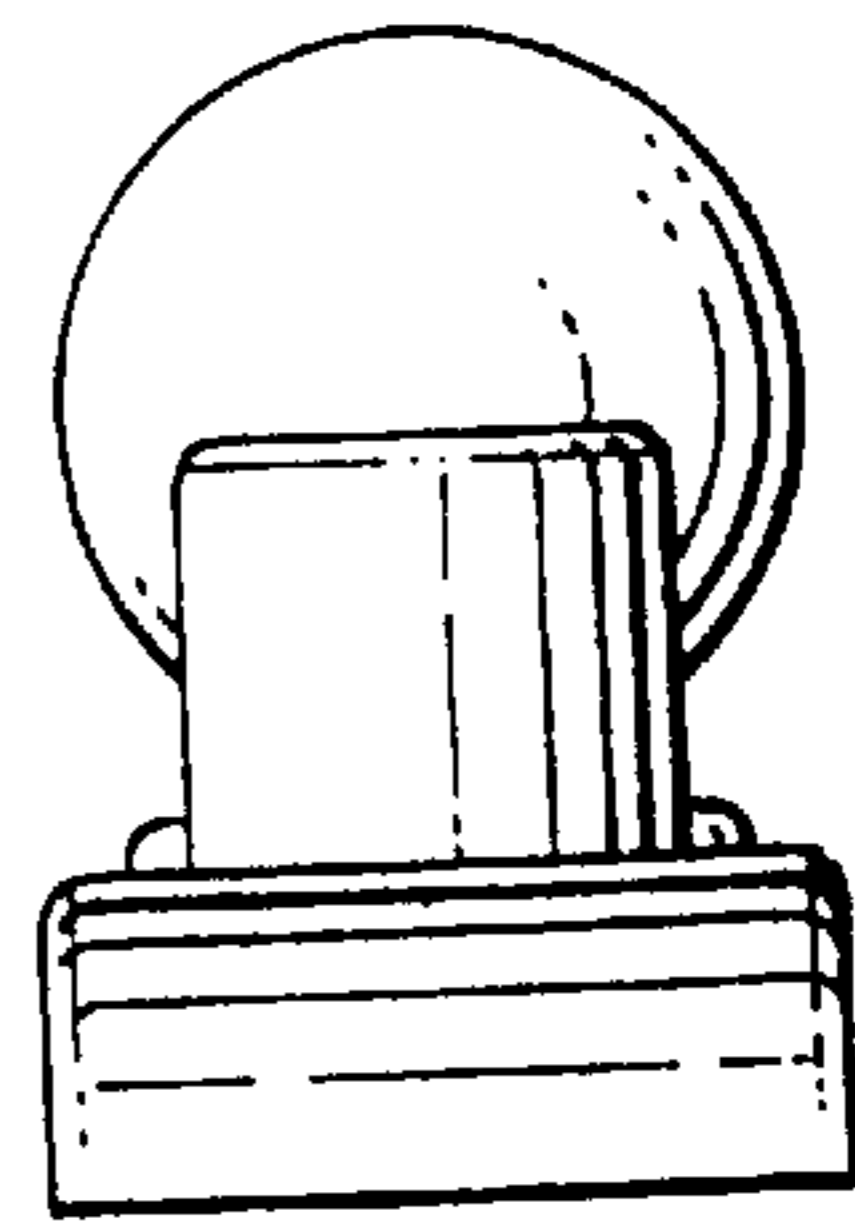


Fig. 6

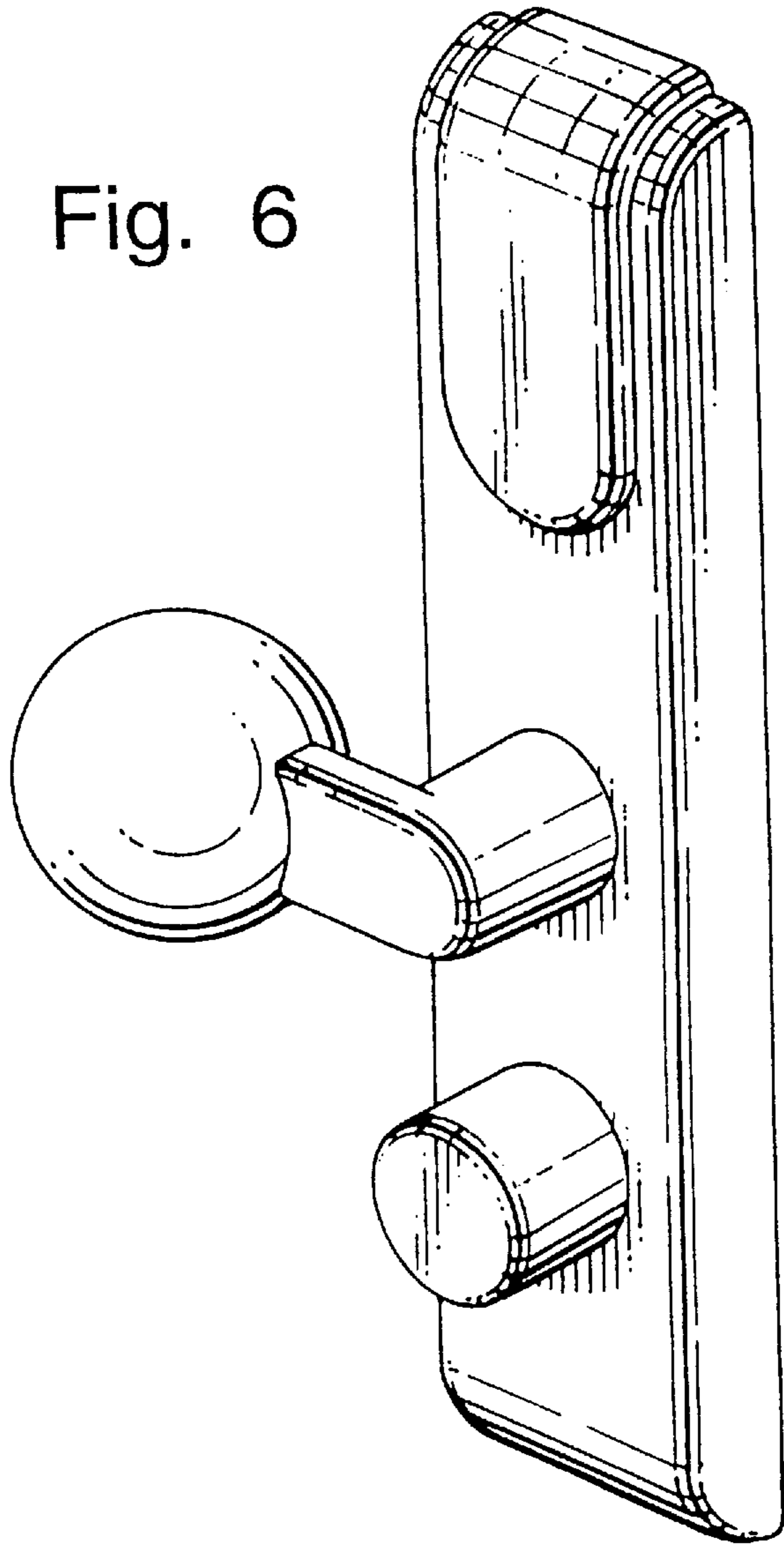


Fig. 7

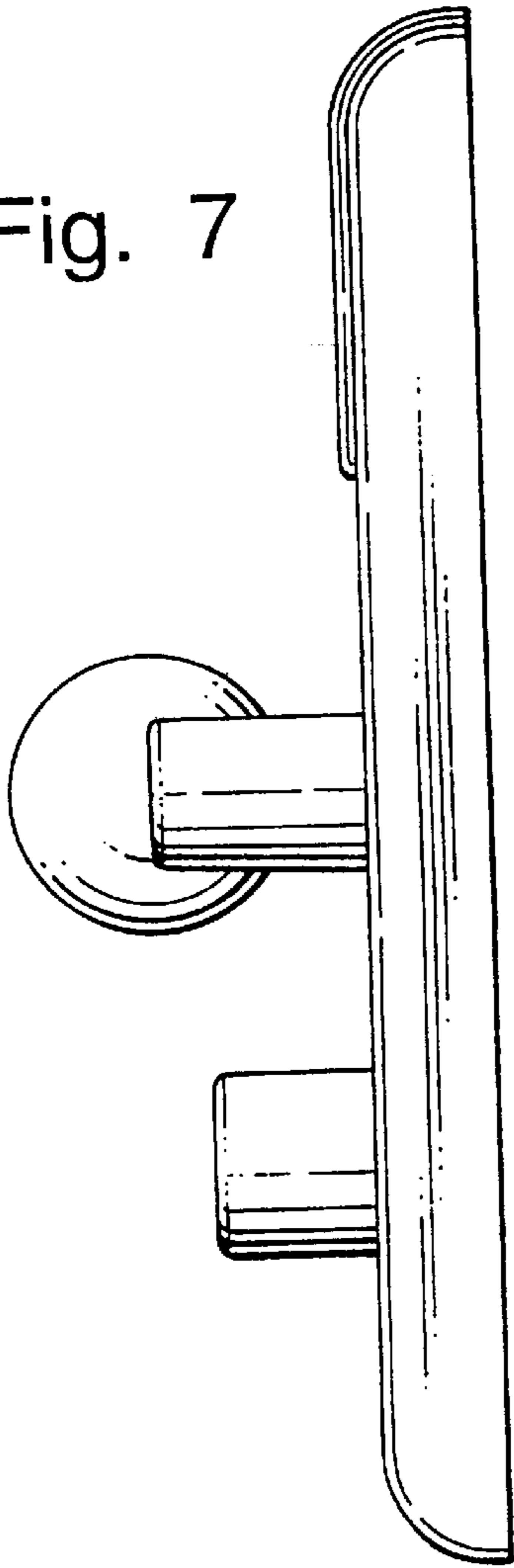


Fig. 8

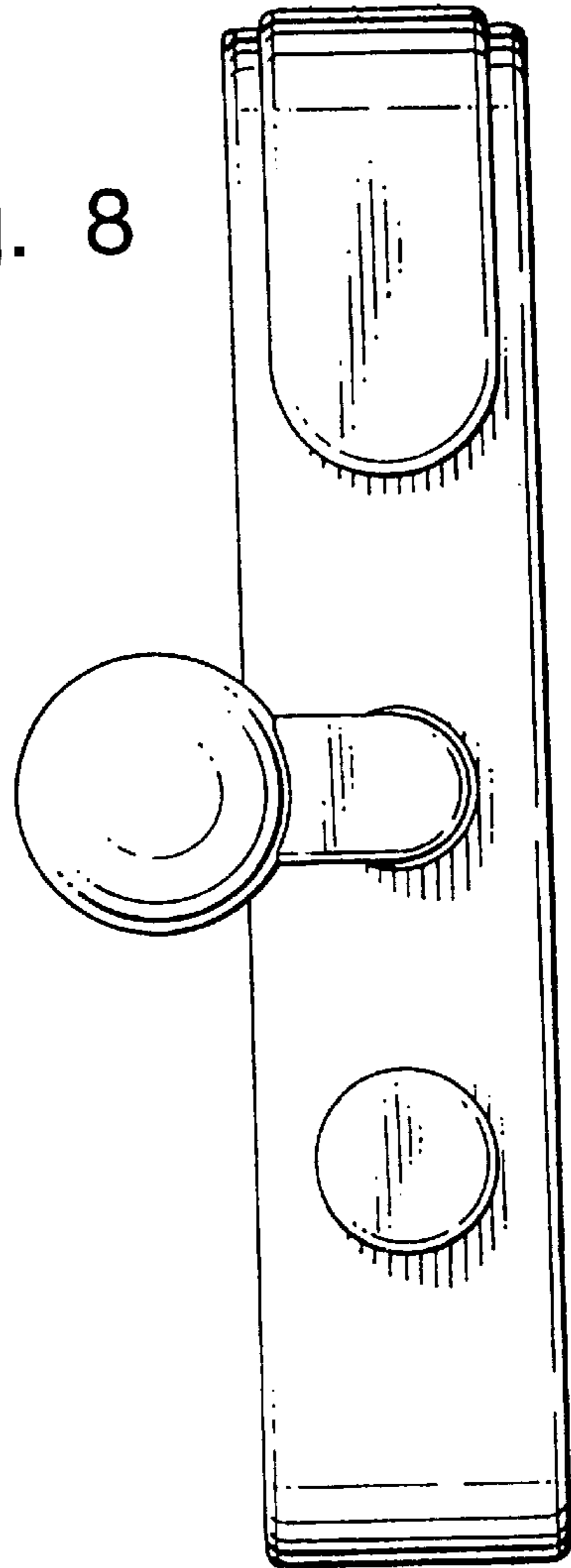


Fig. 9

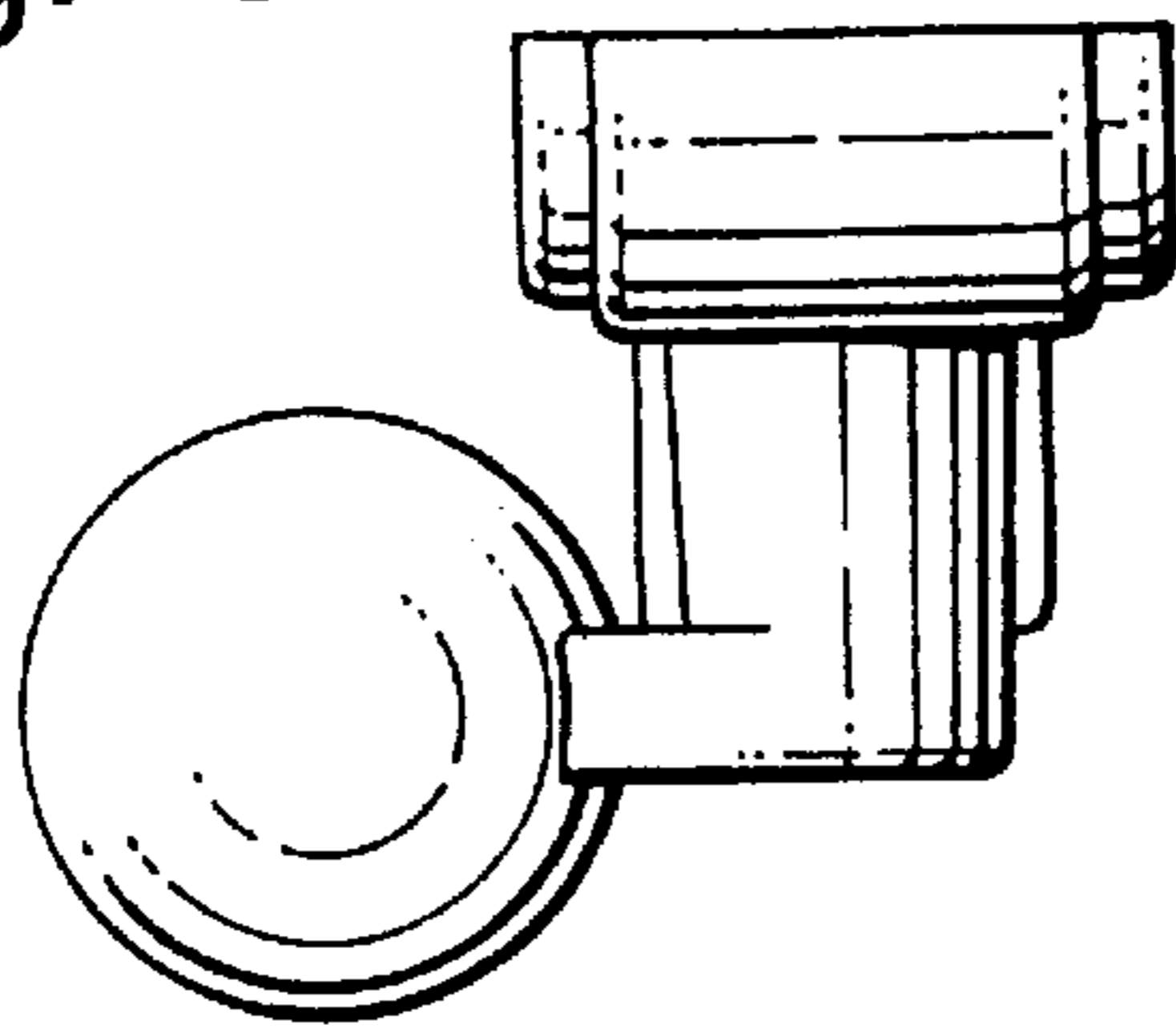


Fig. 10

