



US00D404627S

**United States Patent** [19]  
**Hirabayashi**

[11] **Patent Number: Des. 404,627**

[45] **Date of Patent: \*\*Jan. 26, 1999**

[54] **CABLE CUTTER PROVIDED WITH A BATTERY**

[75] Inventor: **Shigeru Hirabayashi**, Nagano-Ken, Japan

[73] Assignee: **Izumi Products Company**, Japan

[\*\*] Term: **14 Years**

[21] Appl. No.: **81,574**

[22] Filed: **Jan. 6, 1998**

[51] **LOC (6) Cl.** ..... **08-01**

[52] **U.S. Cl.** ..... **D8/68**

[58] **Field of Search** ..... D8/61, 68; 30/182, 30/181, 190, 241-245, 292, 228

[56] **References Cited**

**U.S. PATENT DOCUMENTS**

D. 386,661	11/1997	Hirabayashi	.....	D8/68
D. 387,961	12/1997	Hirabayashi	.....	D8/68
5,722,170	3/1998	Smith	.....	30/228

*Primary Examiner*—Antoine Duval Davis

*Attorney, Agent, or Firm*—Longacre & White

[57] **CLAIM**

The ornamental design for a cable cutter provided with a battery, as shown and described.

**DESCRIPTION**

FIG. 1 is a front perspective view of a cable cutter provided with a battery showing my new design;  
 FIG. 2 is a rear perspective view of the cable cutter shown in FIG. 1;  
 FIG. 3 is a front elevational view of the cable cutter shown in FIG. 1;  
 FIG. 4 is a rear elevational view of the cable cutter shown in FIG. 1;  
 FIG. 5 is a top plan view of the cable cutter shown in FIG. 1;  
 FIG. 6 is a bottom plan view of the cable cutter shown in FIG. 1;  
 FIG. 7 is a left side elevational view of the cable cutter shown in FIG. 1; and,  
 FIG. 8 is a right side elevational view of the cable cutter shown in FIG. 1.

**1 Claim, 6 Drawing Sheets**

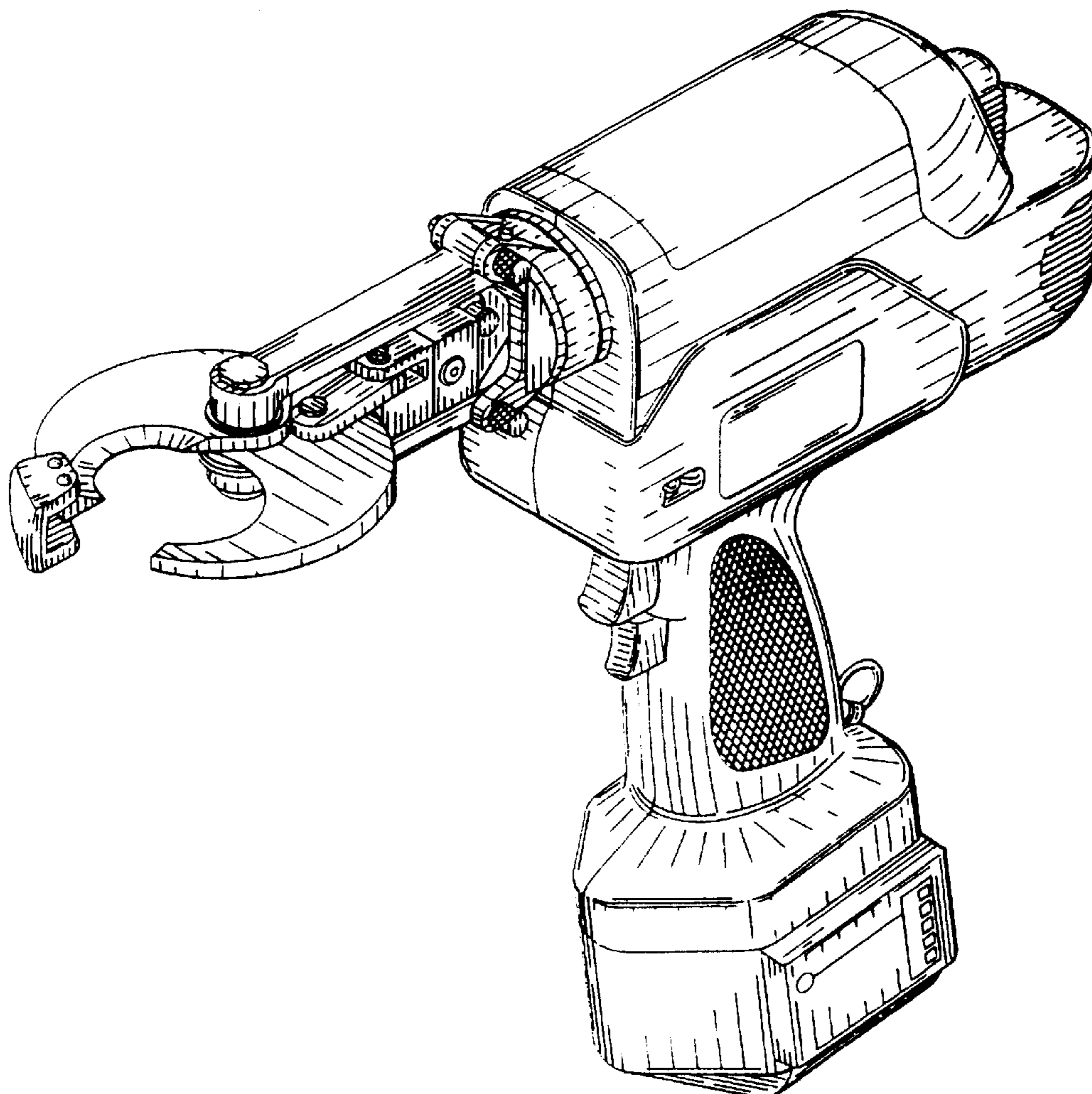


FIG. 1

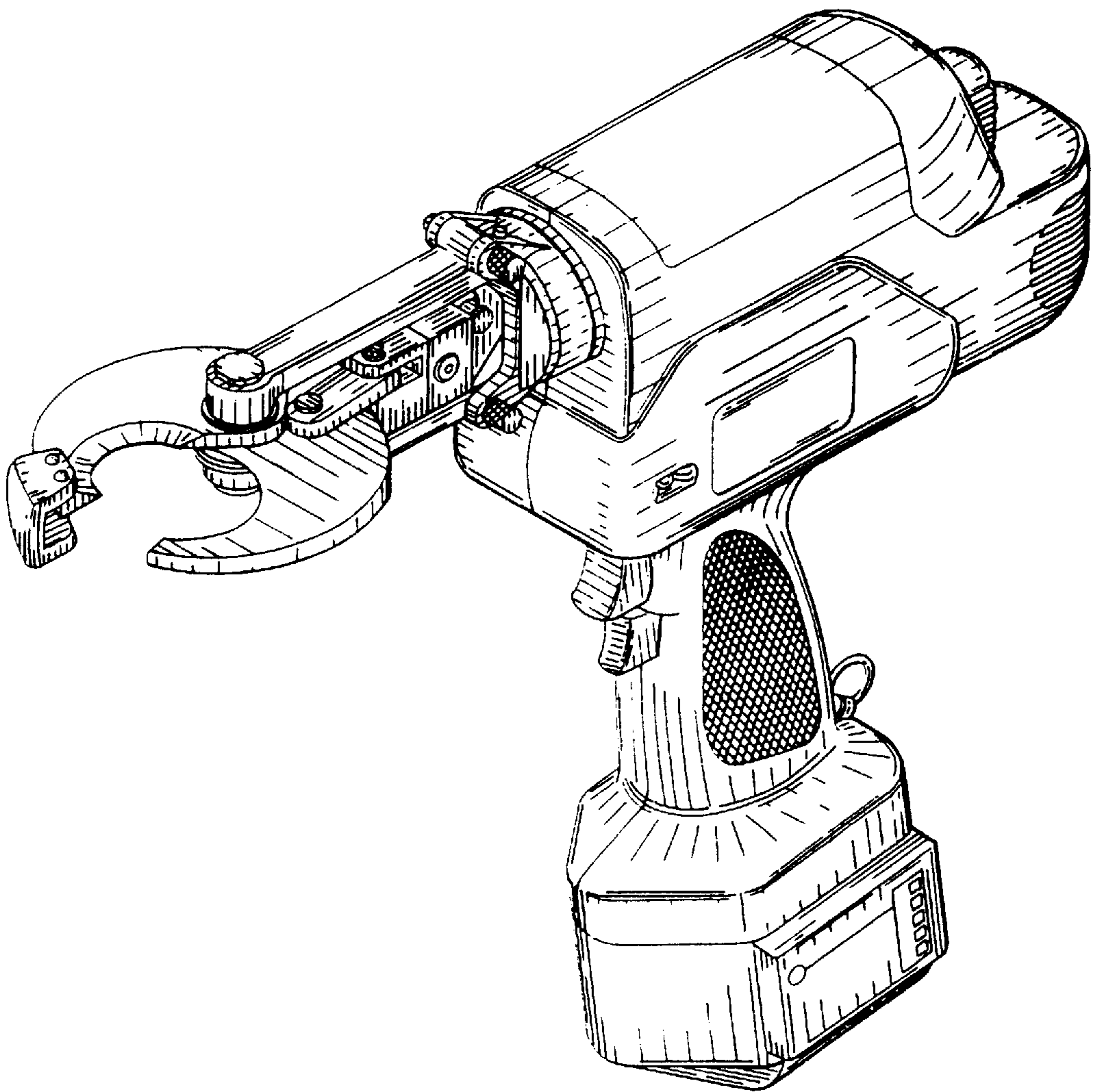


FIG. 2

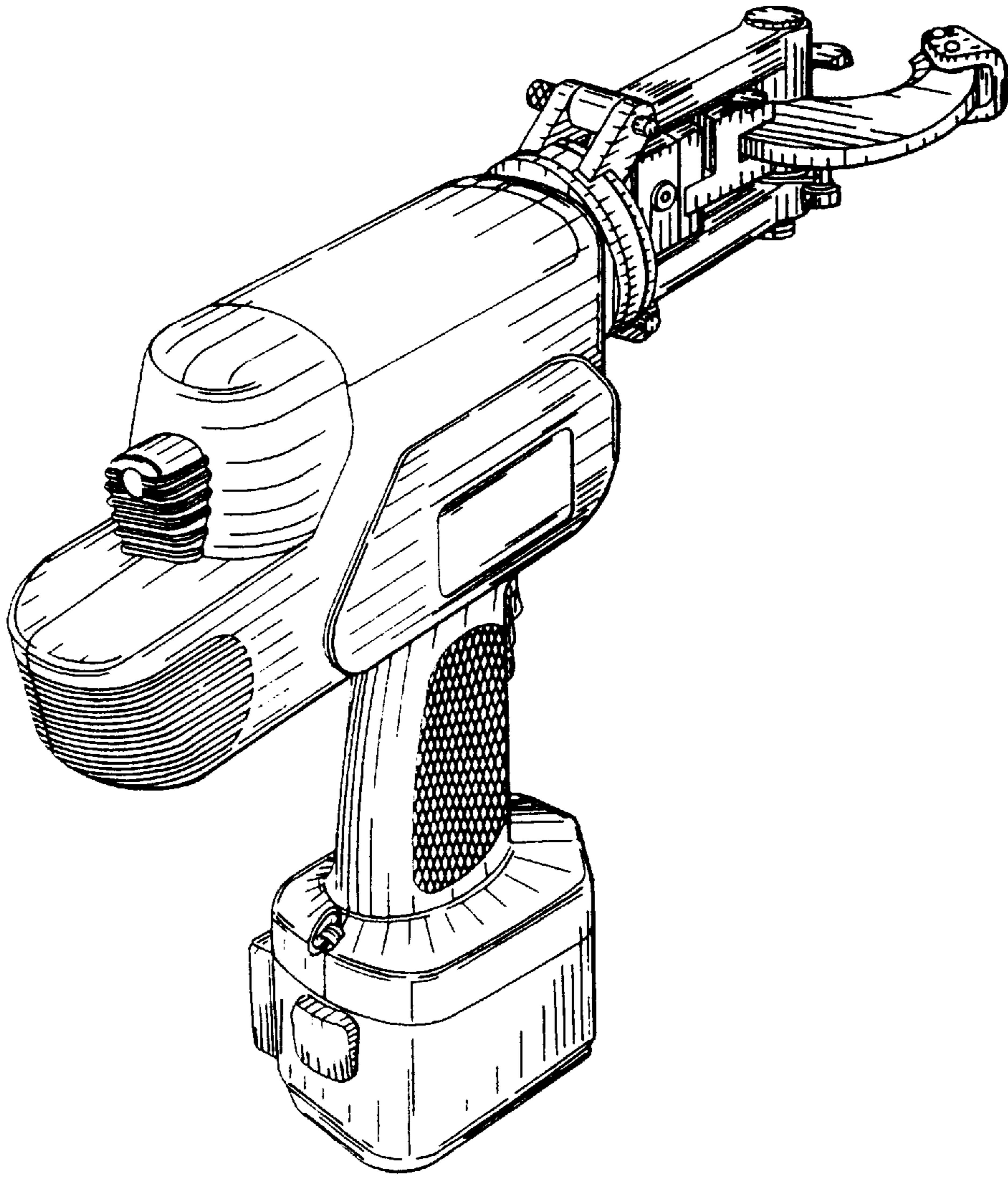




FIG. 3

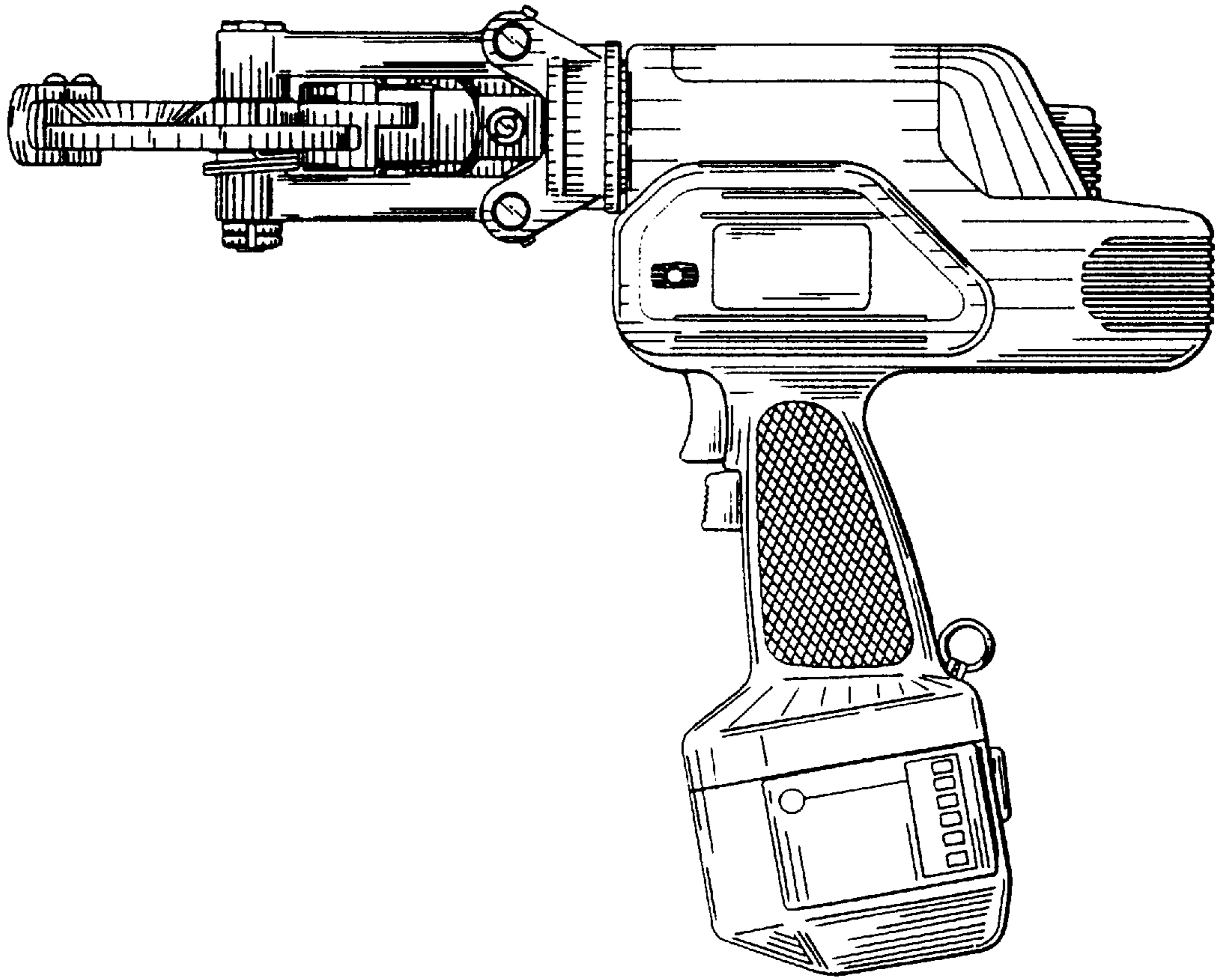


FIG. 4

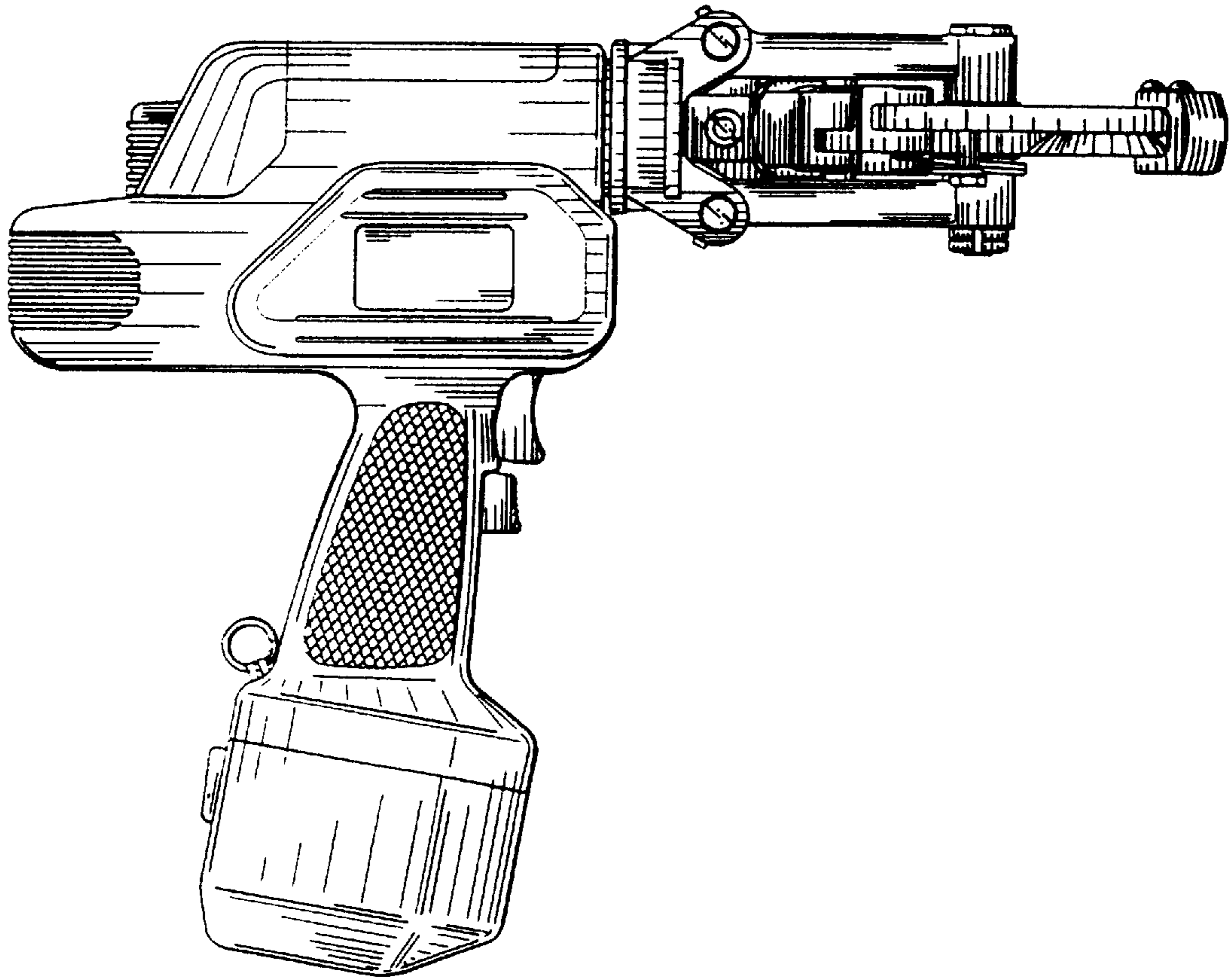


FIG. 5

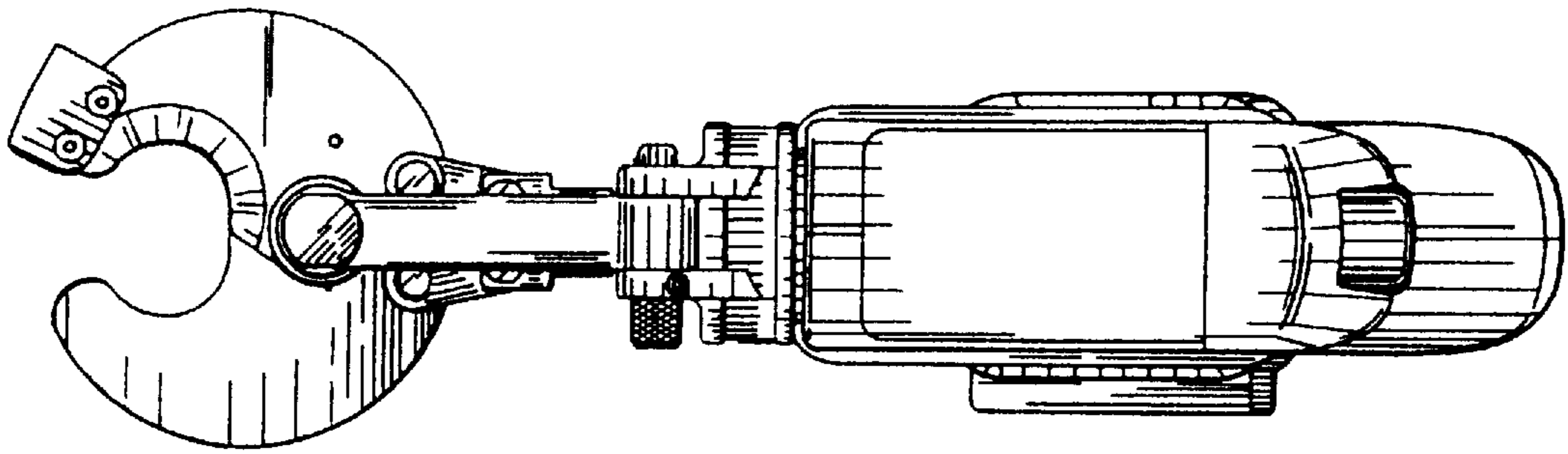


FIG. 6

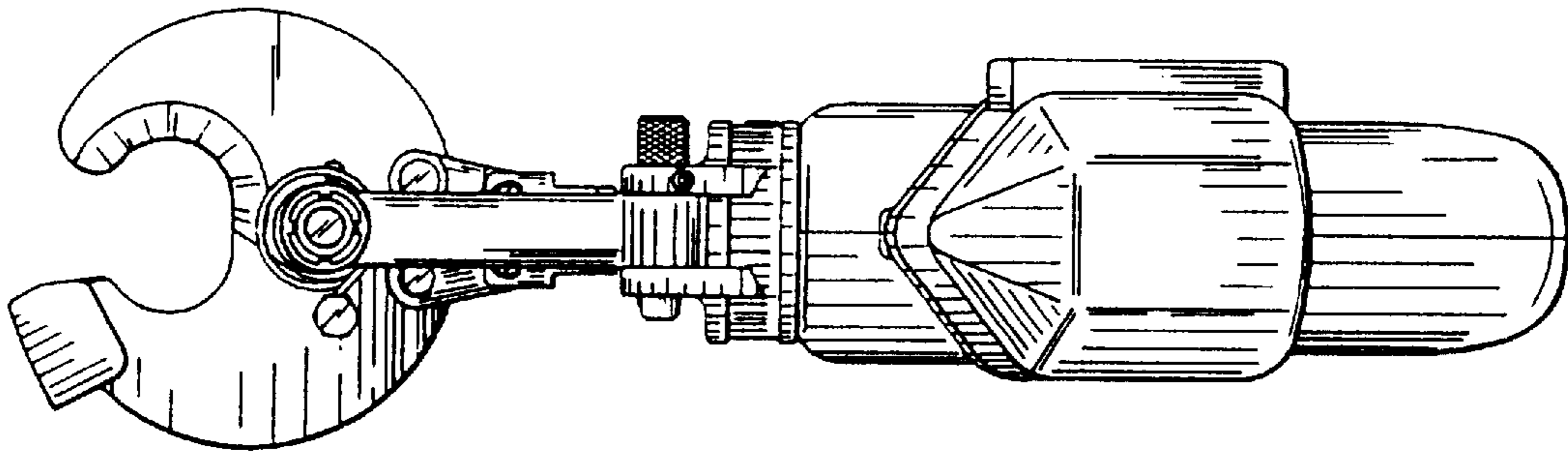


FIG. 7

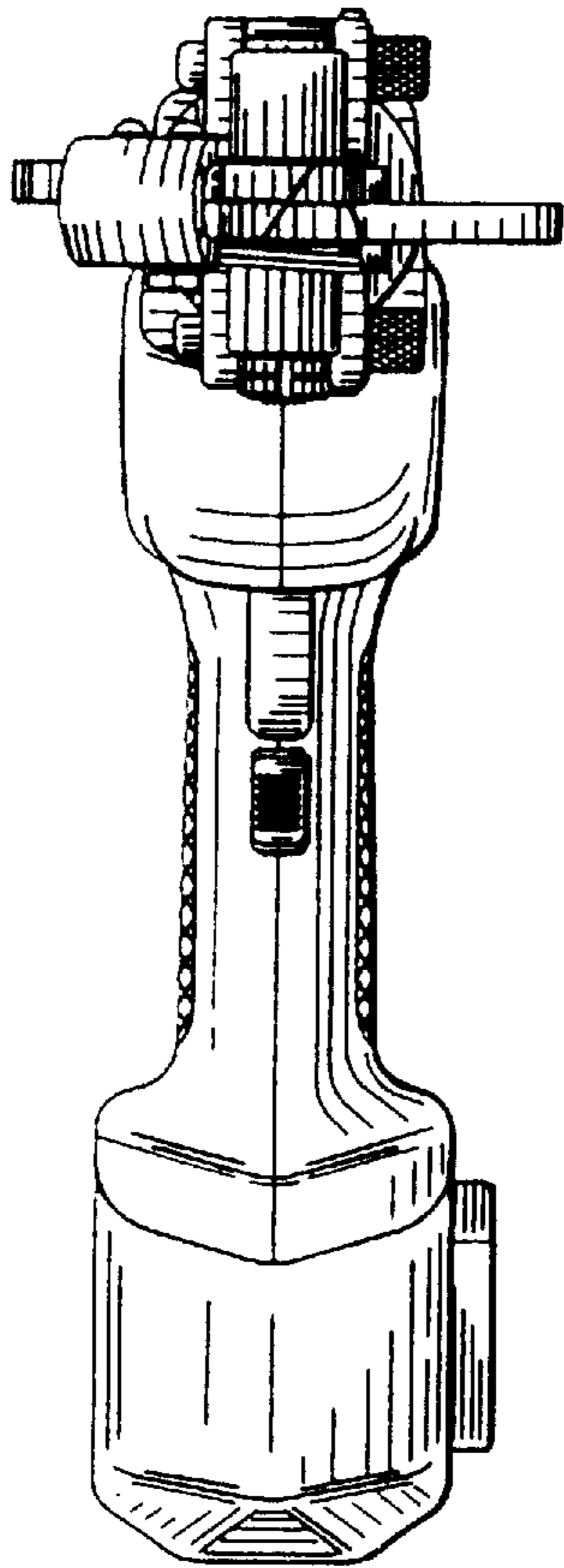


FIG. 8

