



US00D404626S

United States Patent [19]

Hall et al.

[11] Patent Number: Des. 404,626

[45] Date of Patent: **Jan. 26, 1999

[54] ROTARY TOOL

[75] Inventors: **Roberta Scheiner Hall**, Needham, Mass.; **Robert I. Somers**, Reisterstown, Md.

[73] Assignee: **Black & Decker Inc.**, Newark, Del.

[**] Term: **14 Years**

[21] Appl. No.: **80,449**

[22] Filed: **Dec. 10, 1997**

Related U.S. Application Data

[63] Continuation of Ser. No. 73,379, Jul. 7, 1997, abandoned.

[51] LOC (6) Cl. **08-03**

[52] U.S. Cl. **D8/68; D8/61**

[58] Field of Search D8/61, 68; 15/97.1, 15/97.2, 97.3, 98-103, 103.5, 28; 81/57.11, 57.13, 57.14, 73, 55, 177.1, 177.85, 469; 173/169, 170; 400/156, 181; 451/344, 354, 357, 358, 359, 456

[56] References Cited

U.S. PATENT DOCUMENTS

- D. 131,656 3/1942 Decker .
- D. 131,657 3/1942 Decker .
- D. 131,658 3/1942 Decker .
- D. 131,659 3/1942 Decker .
- D. 215,998 11/1969 Humphrey et al. .
- D. 217,705 6/1970 Glaus .
- D. 301,496 6/1989 Yonesawa et al. D8/68
- D. 304,419 11/1989 Henck et al. .
- D. 320,811 10/1991 Fuchs .
- D. 322,384 12/1991 Wan .
- D. 324,699 3/1992 Ohashi .
- D. 325,857 5/1992 Hasegawa et al. D8/61
- D. 325,858 5/1992 Saito et al. .
- D. 327,827 7/1992 Kwan .

- D. 353,309 12/1994 Somers .
- 1,642,259 9/1927 Morse .
- 3,352,368 11/1967 Maffey, Jr. .
- 4,522,270 6/1985 Kishi 173/169 X
- 4,862,972 9/1989 Sudnishnikov et al. 173/169 X
- 5,251,367 10/1993 Ward et al. 173/169 X

OTHER PUBLICATIONS

Wen Compact Cordless Tools, Model 226 Cordless Screwdriver, Consumer Rebate Program Jan. 1—Jul. 1, 1988. No publication date.

D.I.Y. Retailing, p. 129, Aug. 1988, Wen Slimline Cordless Drill Model 228.

Damark International Catalog, p. 22, Nov. 1988, Damark 43 Piece Cordless Screwdriver, Order No. B-337-105775.

Bruning Cordless Electric Eraser received in Patent Office on Jun. 2, 1971.

Primary Examiner—Antoine Duval Davis

Attorney, Agent, or Firm—Bruce S. Shapiro; Dennis A. Dearing; John D. Del Ponti

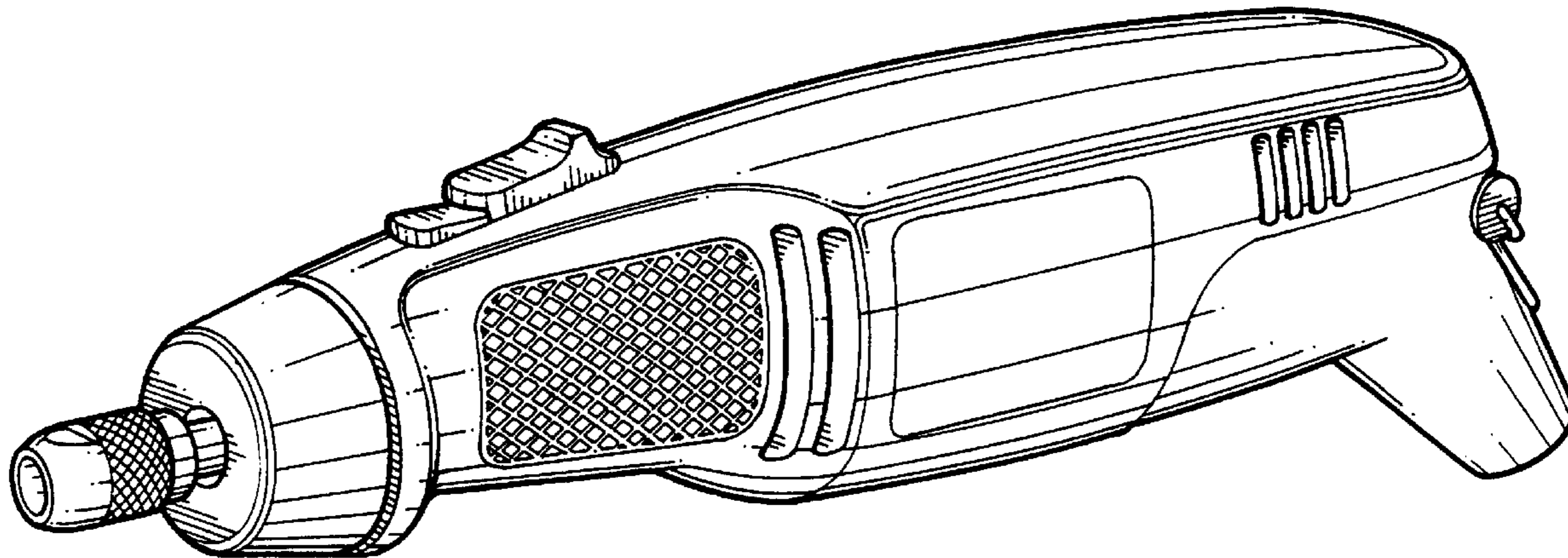
[57] CLAIM

The ornamental design for a rotary tool, as shown and described.

DESCRIPTION

FIG. 1 is a perspective view of a first embodiment of the rotary tool of the present invention; FIG. 2 is a left-side elevational view thereof; FIG. 3 is a right-side elevational view thereof; FIG. 4 is a top plan view thereof; FIG. 5 is a bottom plan view thereof; FIG. 6 is a front elevational view thereof; FIG. 7 is a rear elevational view thereof; and, FIG. 8 is a perspective view of a second embodiment of the rotary tool of the present invention. The broken line showing is for illustrative purposes only and forms no part of the claimed design.

1 Claim, 6 Drawing Sheets



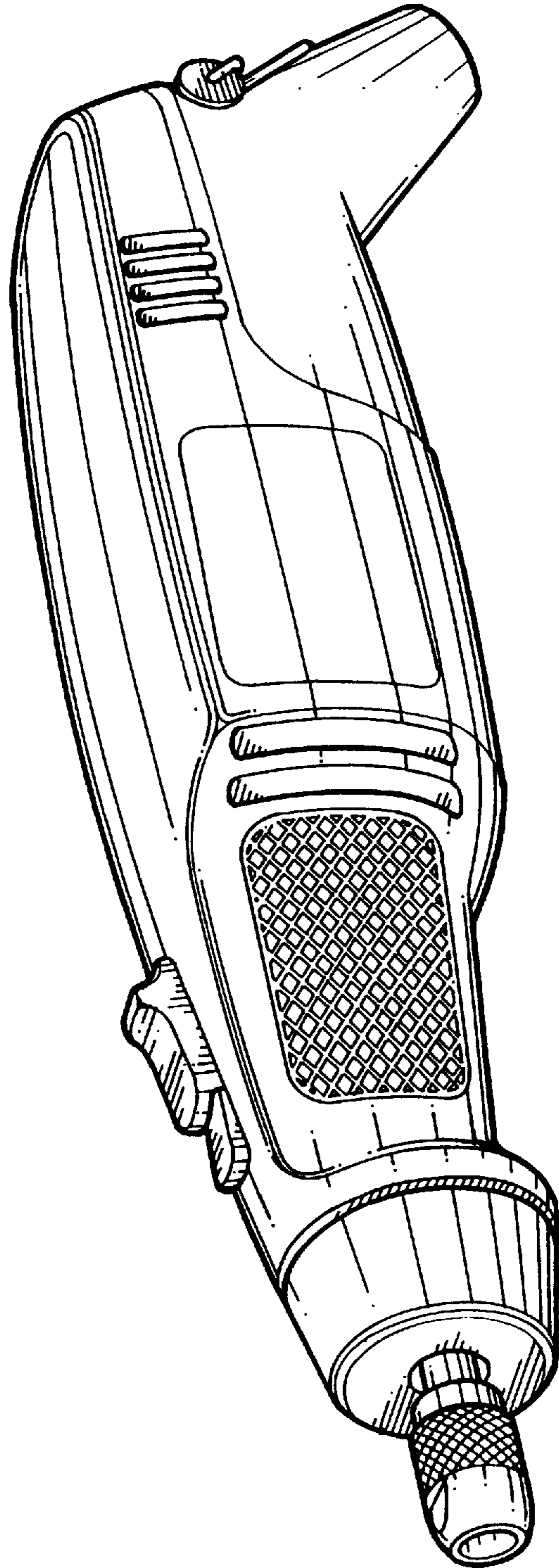


FIG. 1

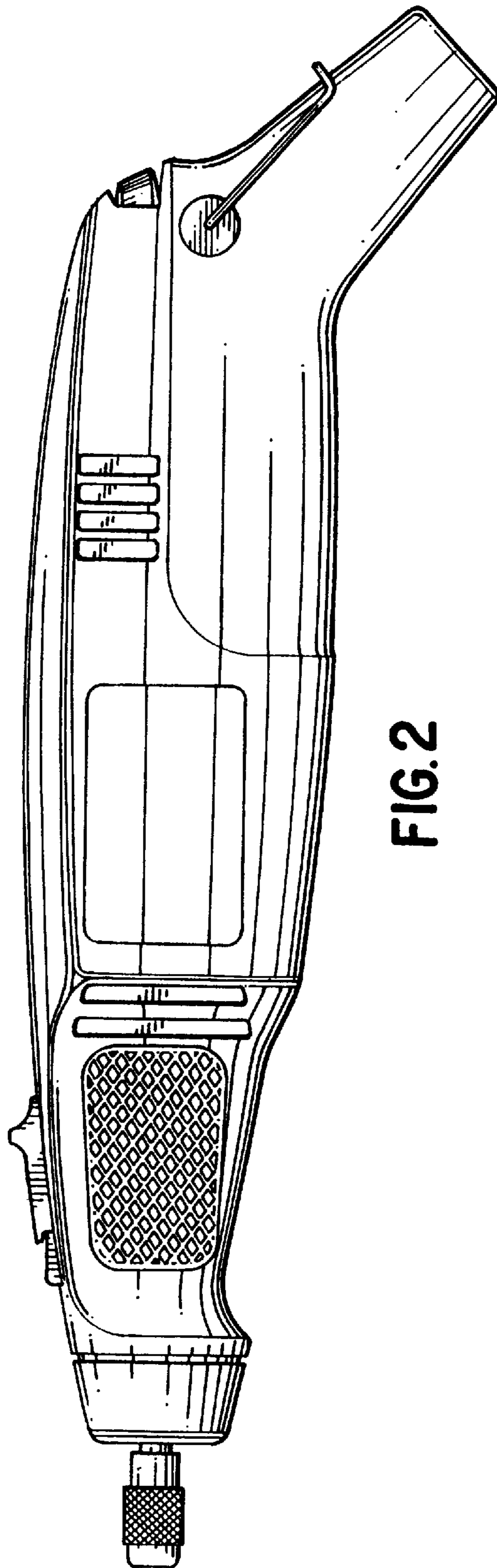


FIG. 2

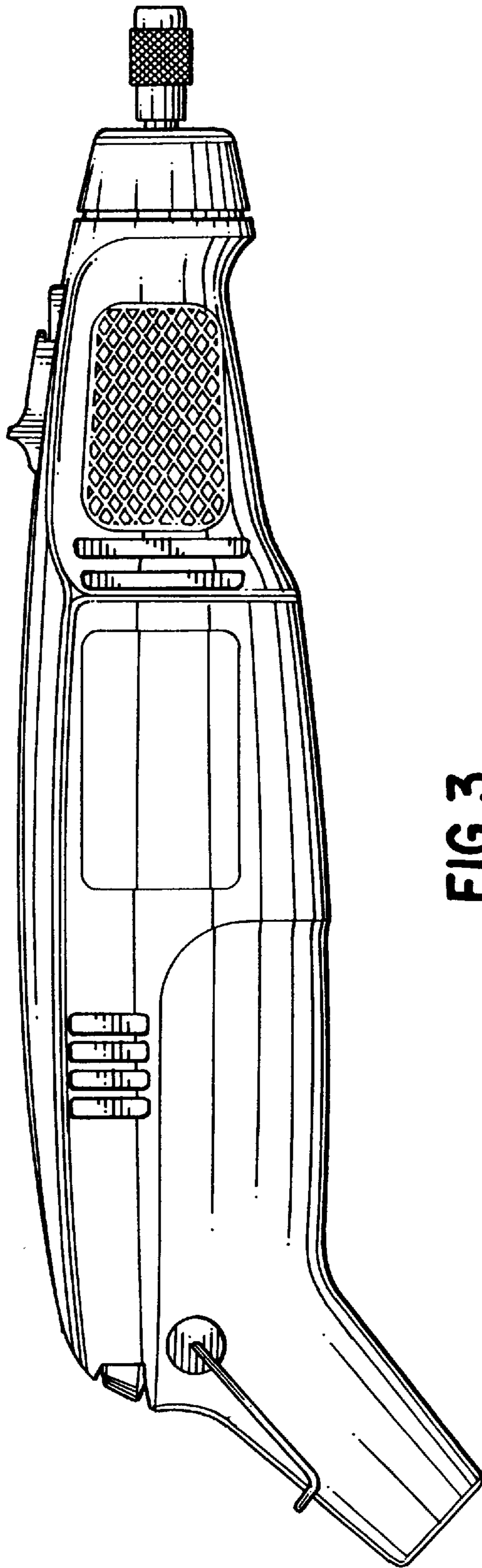


FIG. 3

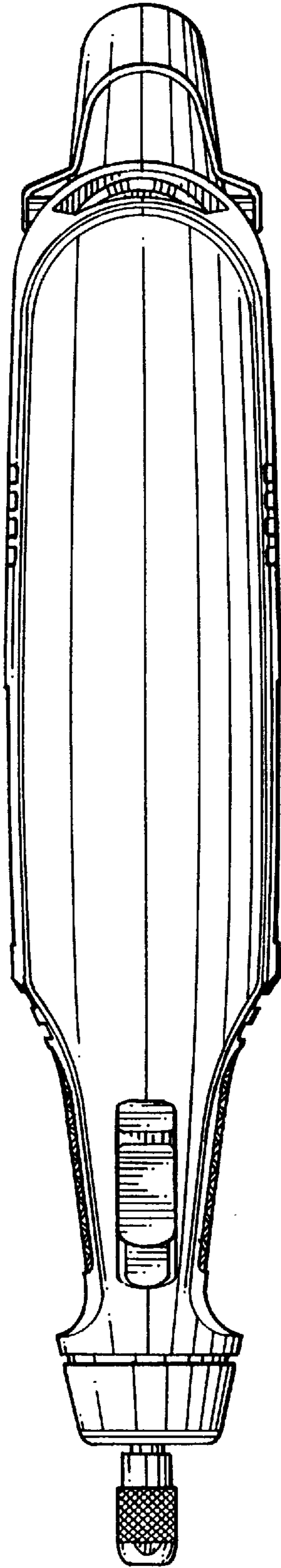


FIG. 4

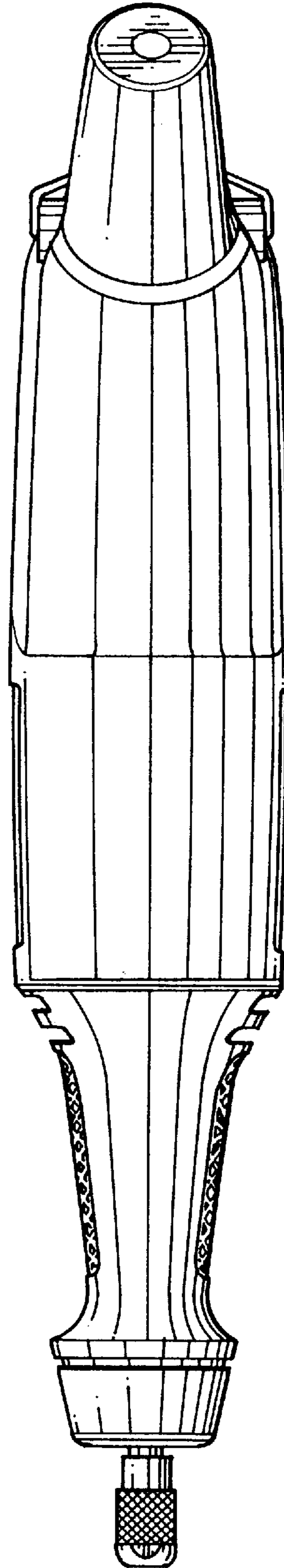


FIG. 5

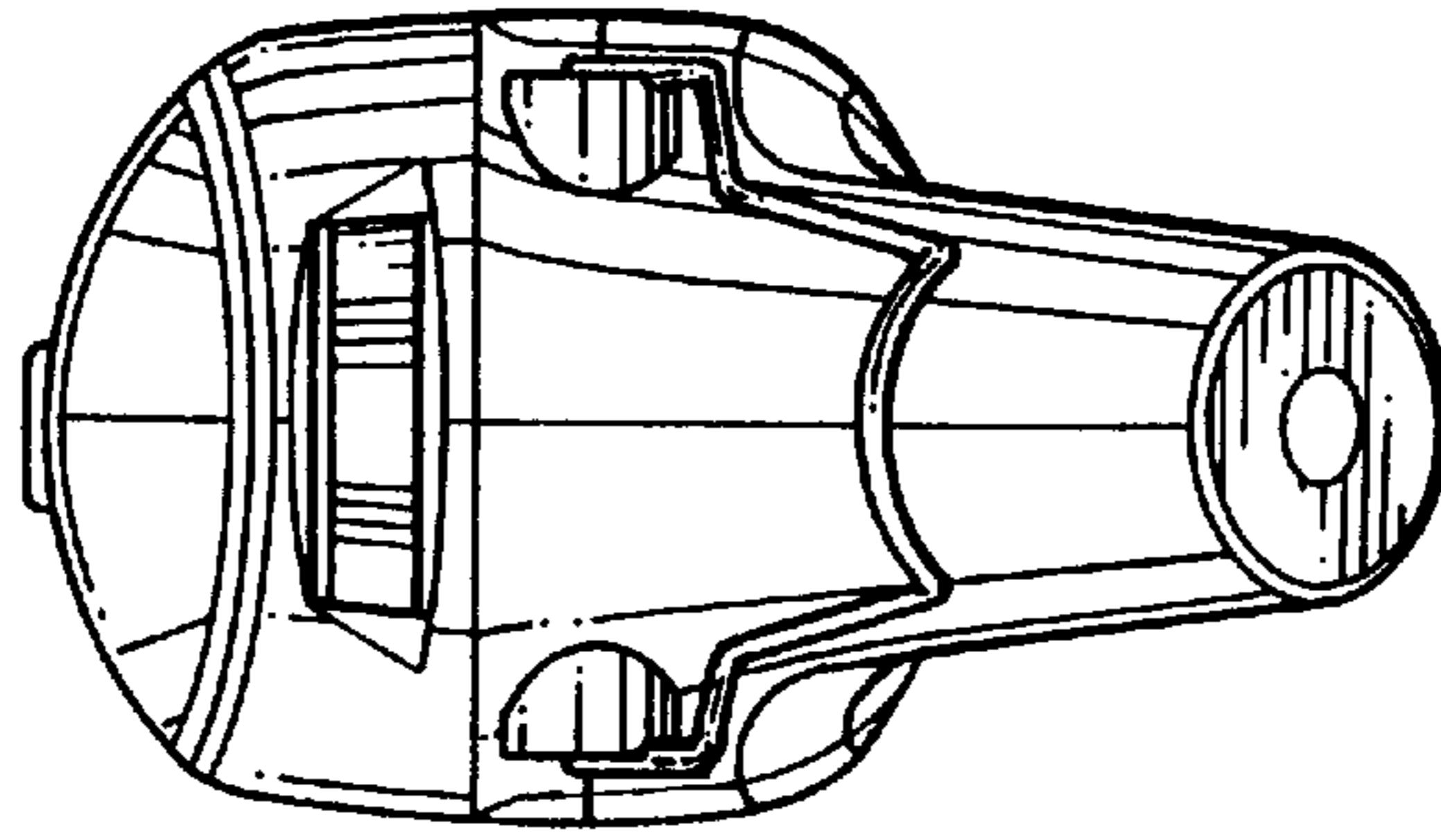


FIG. 7

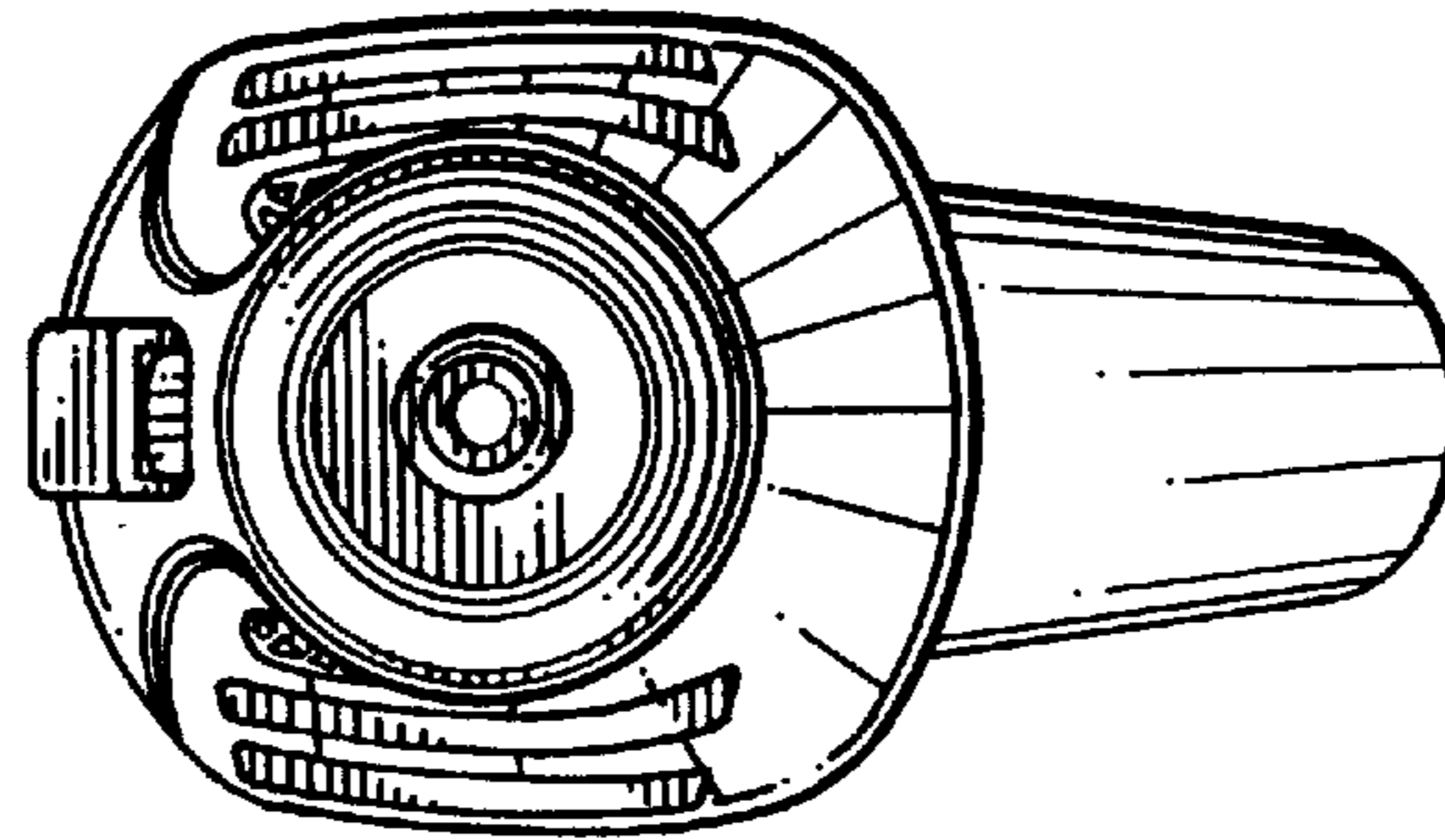


FIG. 6

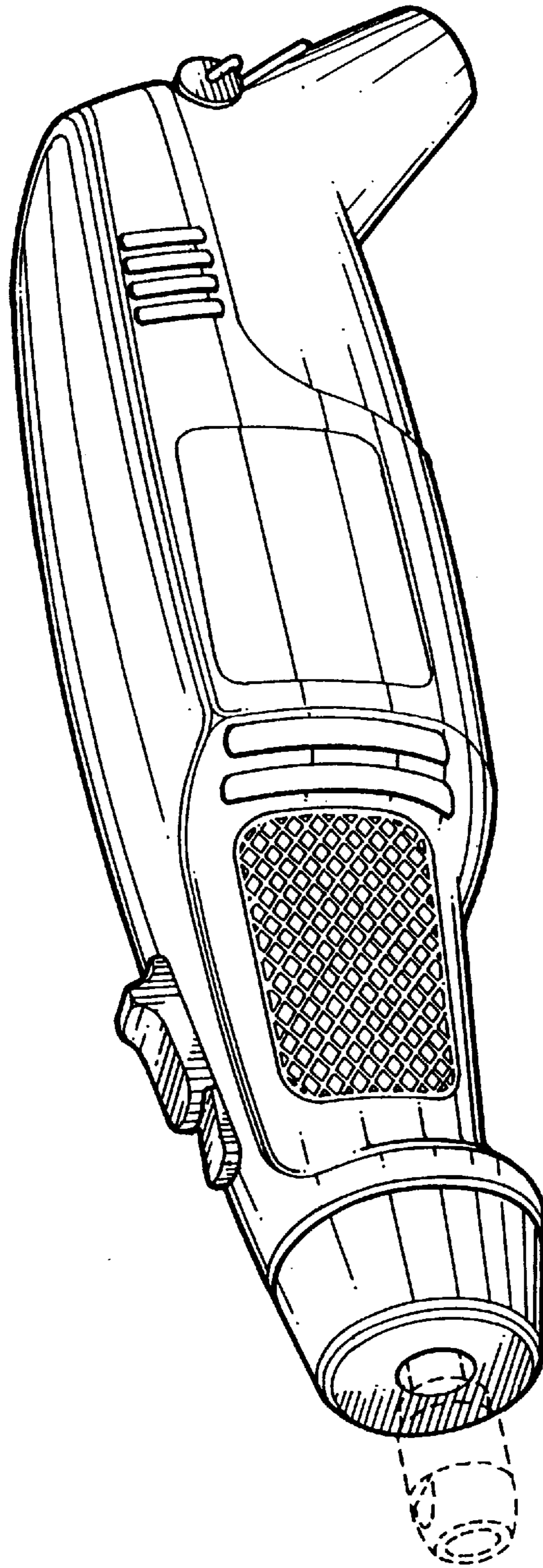


FIG. 8