



US00D404623S

**United States Patent** [19]  
**Burrell**

[11] **Patent Number: Des. 404,623**

[45] **Date of Patent: \*\*Jan. 26, 1999**

[54] **CAN OPENER**

[76] Inventor: **Julius W. Burrell**, 957 Manzanita St.,  
Los Angeles, Calif. 90029-3009

[\*\*] Term: **14 Years**

[21] Appl. No.: **79,499**

[22] Filed: **Nov. 17, 1997**

[51] **LOC (6) Cl.** ..... **07-99**

[52] **U.S. Cl.** ..... **D8/33**

[58] **Field of Search** ..... D8/33-43; D9/435-437;  
7/151-156; 30/400, 414, 443, 415; 81/3.07,  
3.09, 3.55, 3.47, 3.48

[56] **References Cited**

**U.S. PATENT DOCUMENTS**

D. 269,404	6/1983	DeMars	.....	D8/34
D. 284,946	8/1986	Augros	.....	D9/435
1,502,465	7/1924	Garrett	.....	30/443
2,354,518	7/1944	Halstead	.....	D8/40 X
2,646,704	7/1953	Reider	.....	81/3.09
4,190,956	3/1980	Mascia	.....	30/410

4,213,215	7/1980	Hall	.....	7/152
4,689,886	9/1987	Bernazzani et al.	.....	30/416
4,726,119	2/1988	Lee	.....	30/418
5,203,087	4/1993	Richard	.....	30/411

*Primary Examiner*—Caron D. Veynar  
*Attorney, Agent, or Firm*—Goldstein & Canino

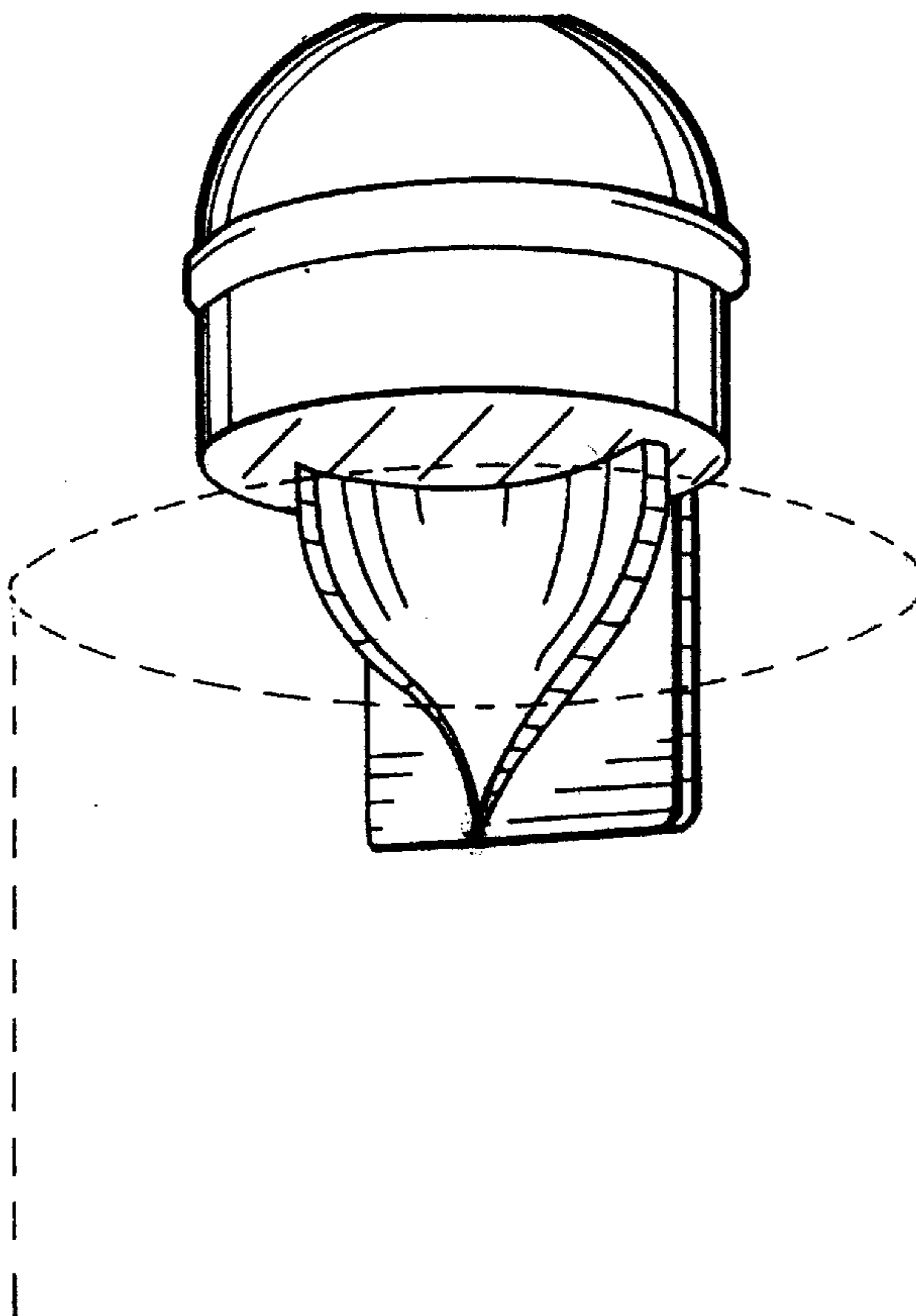
[57] **CLAIM**

The ornamental design for a can opener, as shown and described.

**DESCRIPTION**

FIG. 1 is a diagrammatic perspective view of the can opener in full lines with a can shown in broken lines representing environmental association matter being for illustrative purposes only and forming no part of the claimed invention; FIG. 2 is a bottom plan view thereof; FIG. 3 is a top plan view thereof; FIG. 4 is a right side elevational view thereof, the left side view being a mirror image of the right side view; FIG. 5 is a front elevational view thereof; and, FIG. 6 is a rear elevational view thereof.

**1 Claim, 2 Drawing Sheets**



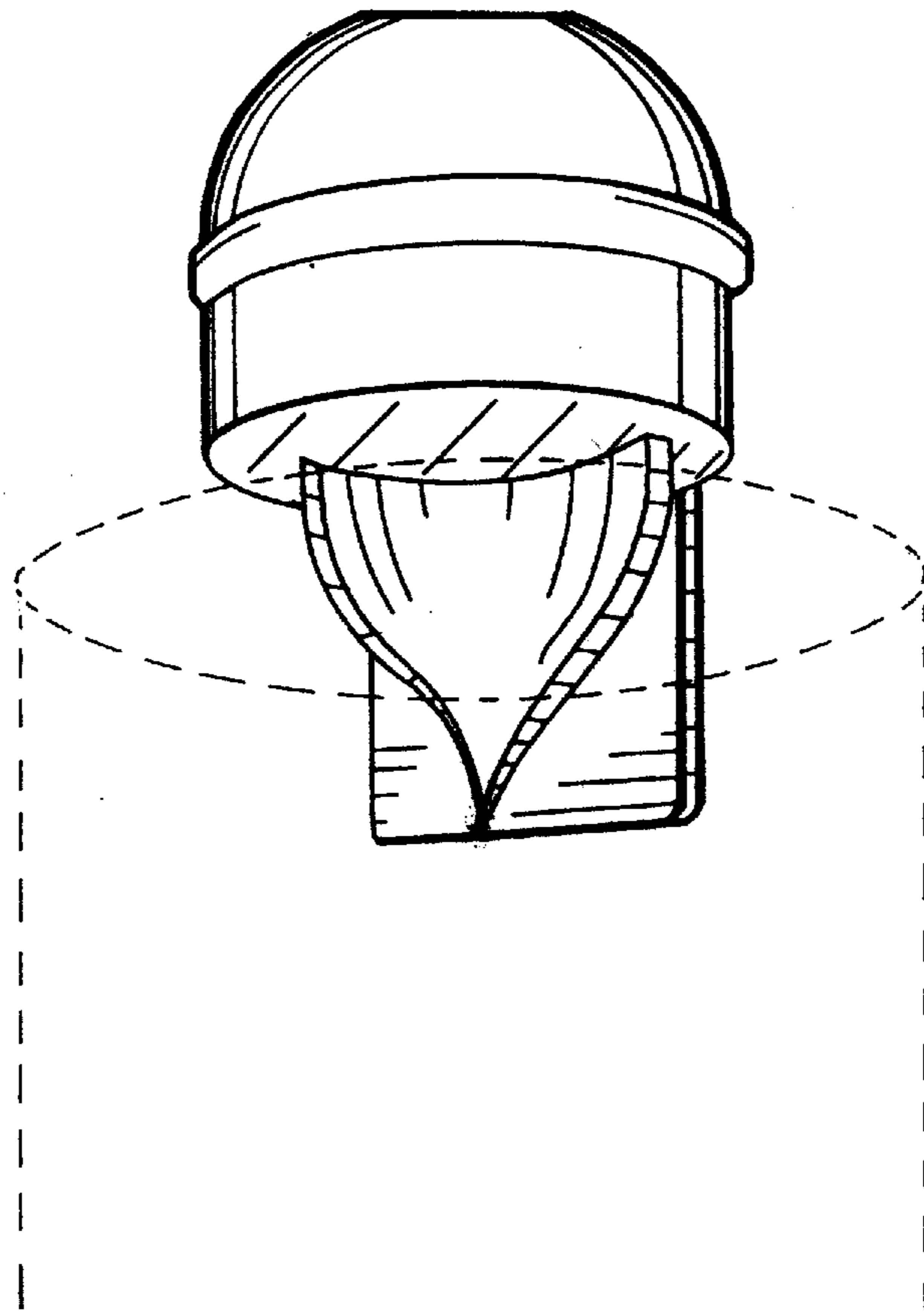


FIG. 1

FIG.2

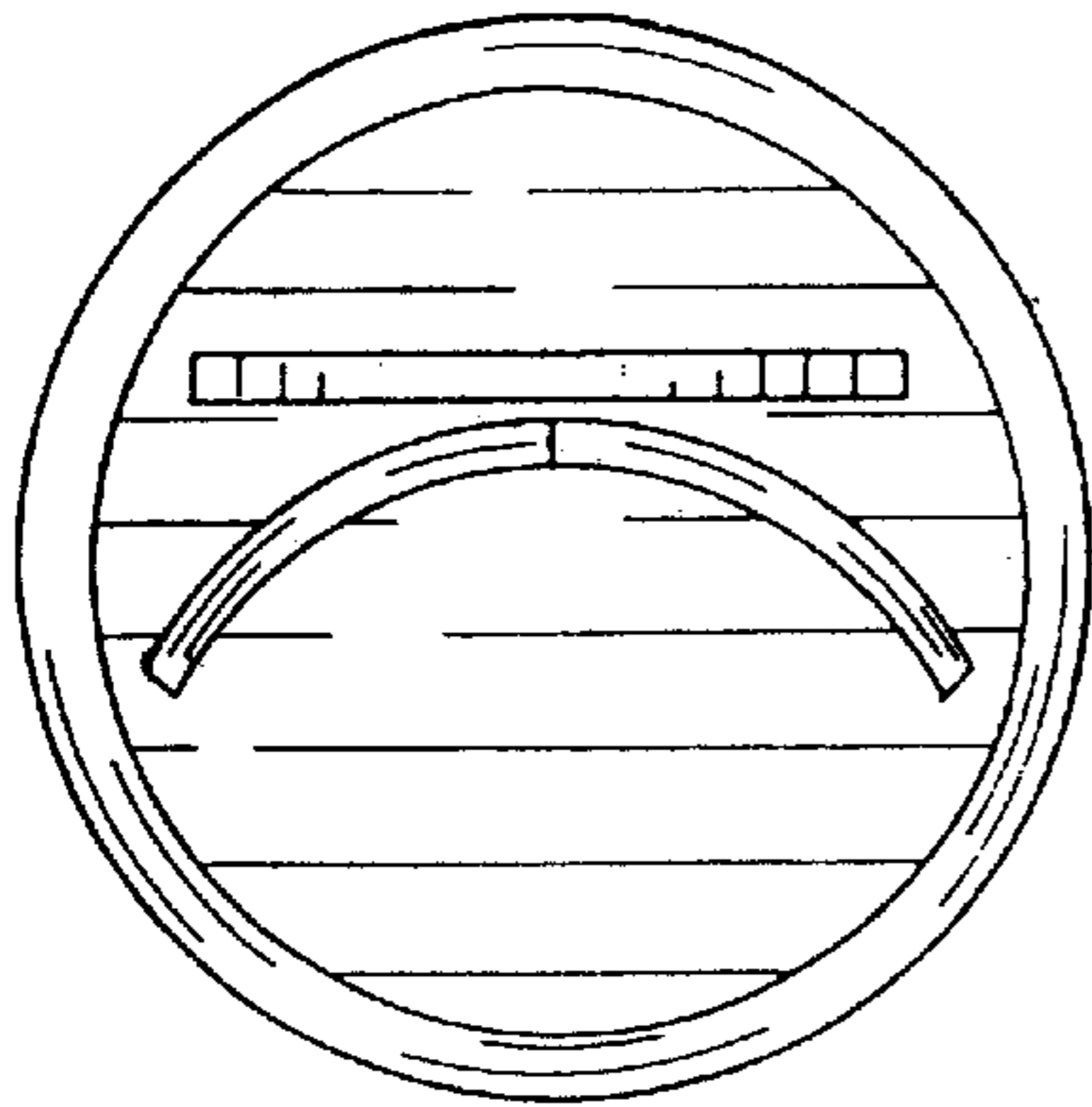


FIG.3

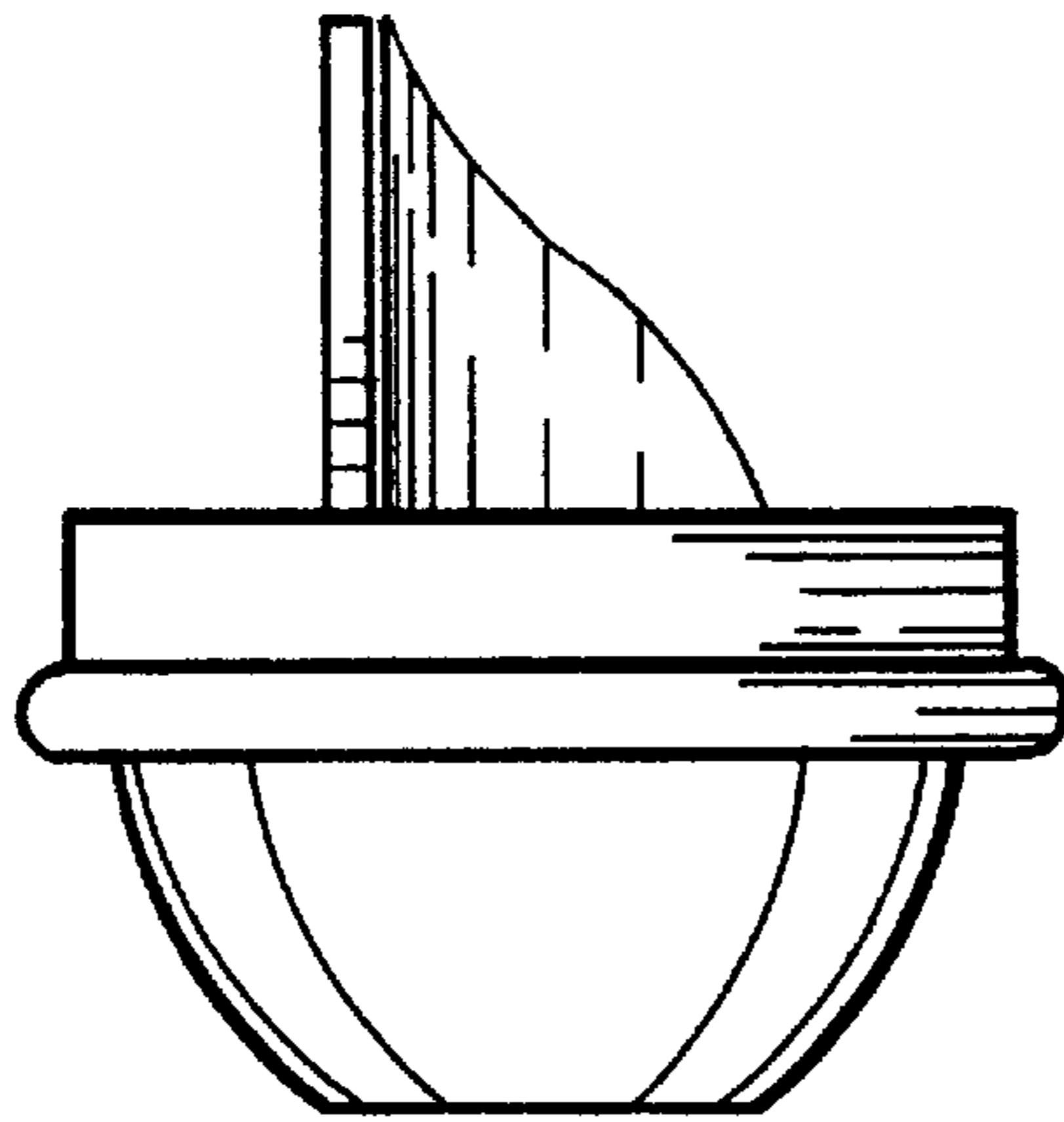
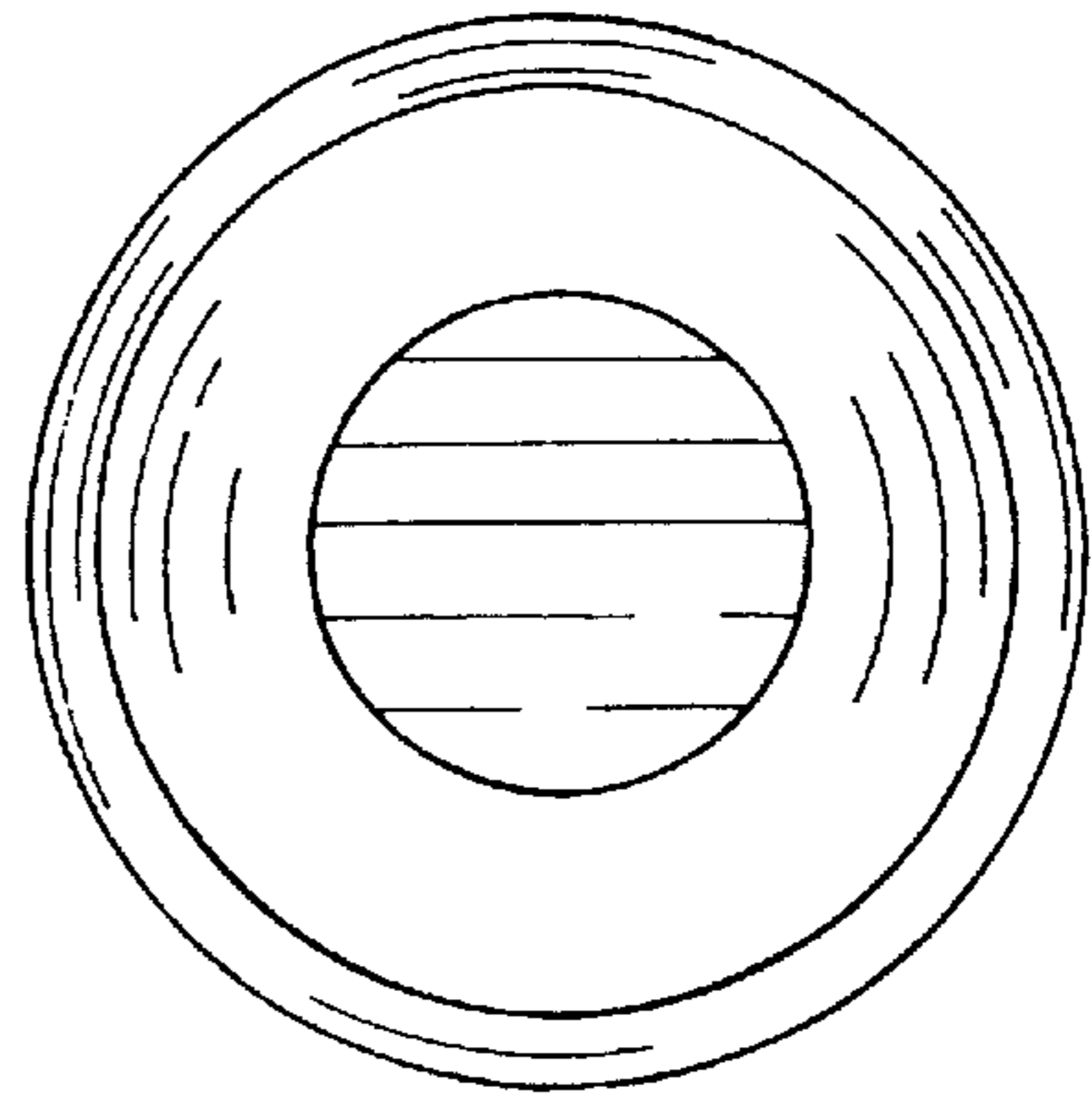


FIG.4

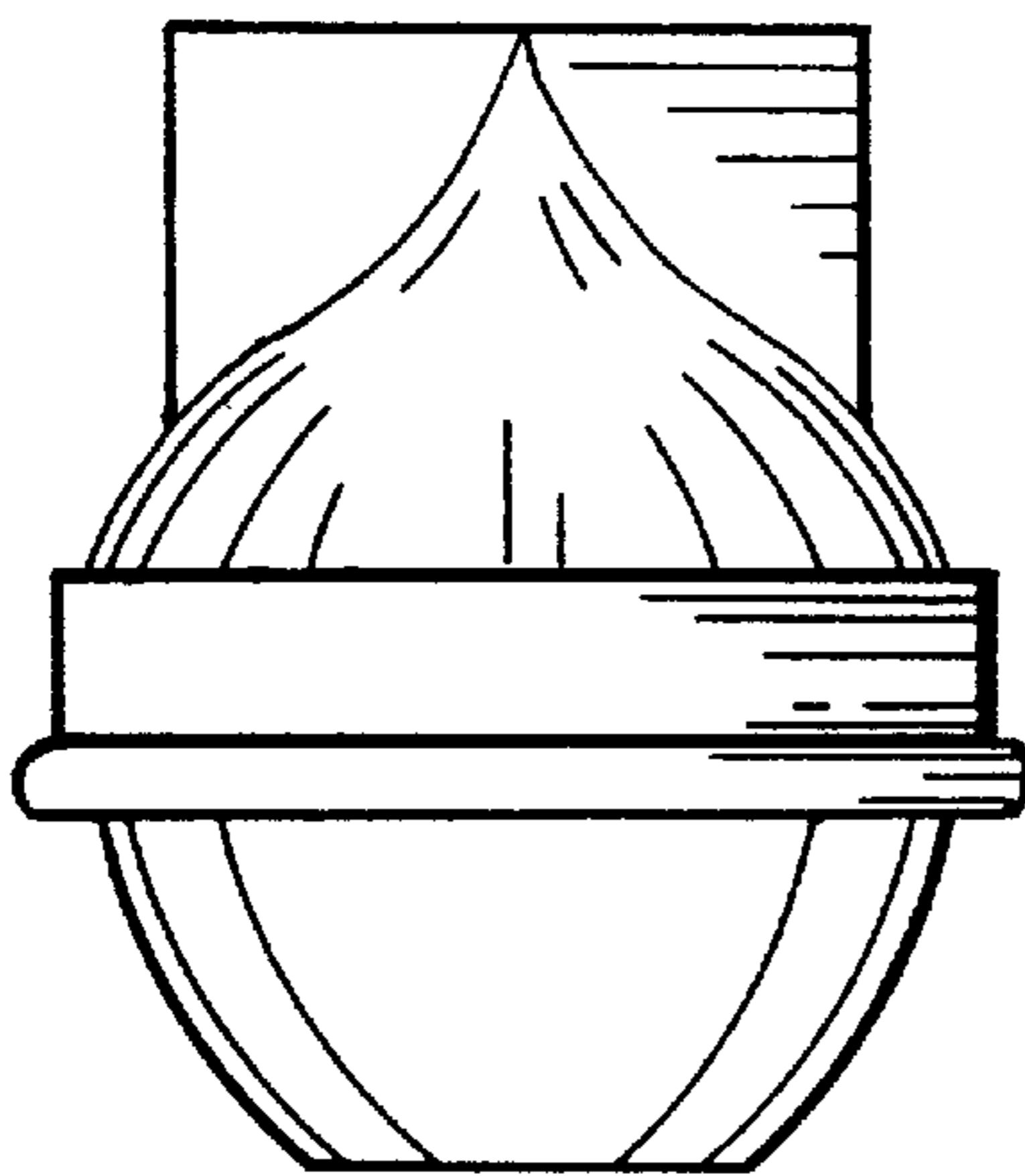


FIG.5

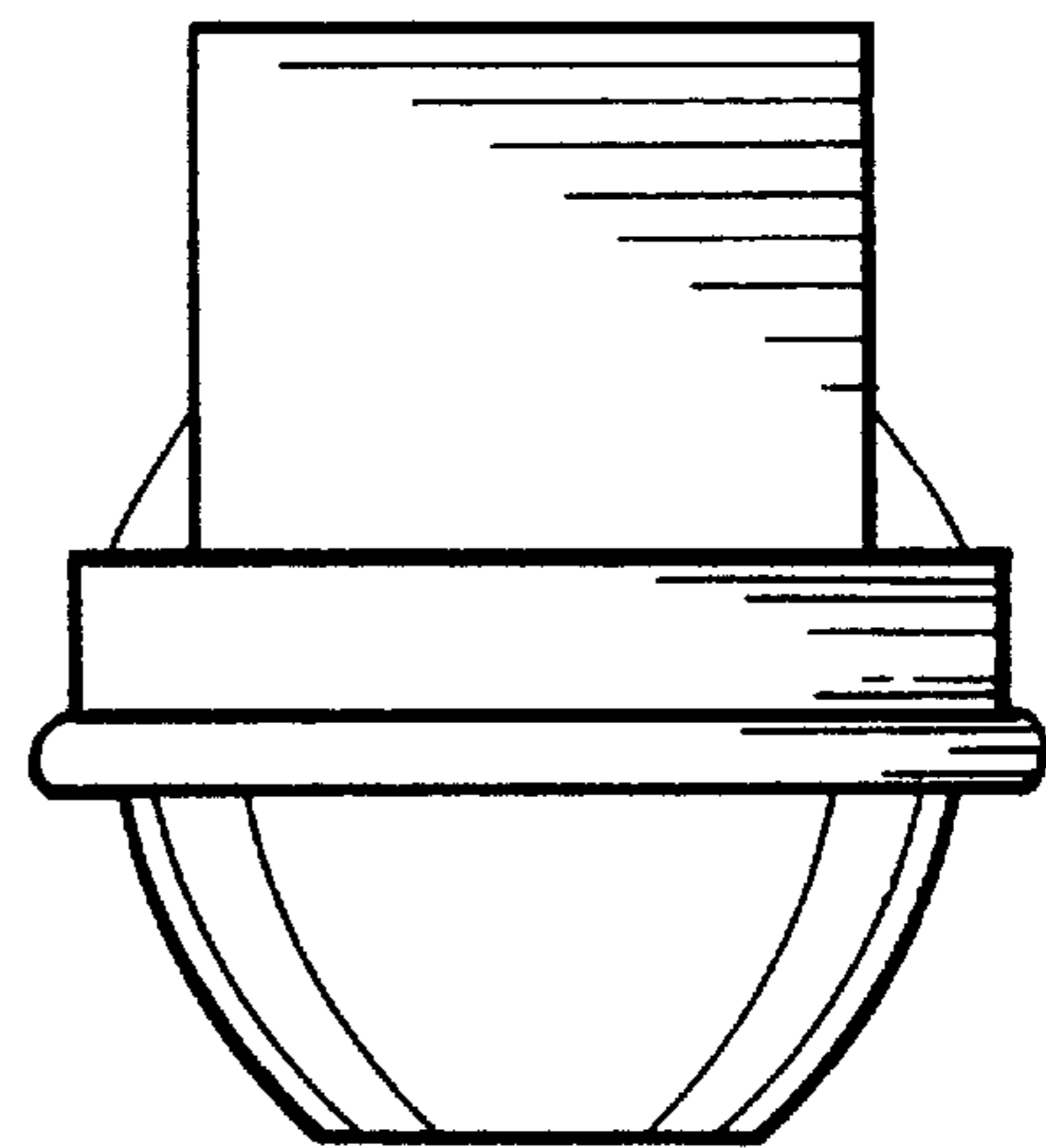


FIG.6