



US00D404622S

**United States Patent** [19]  
**Singleton**

[11] **Patent Number: Des. 404,622**

[45] **Date of Patent: \*\*Jan. 26, 1999**

[54] **GLUE GUN**

[75] Inventor: **Michael A. Singleton**, Warwick, R.I.

[73] Assignee: **Stanley-Bostitch, Inc.**, East Greenwich, R.I.

[\*\*] Term: **14 Years**

[21] Appl. No.: **79,212**

[22] Filed: **Nov. 14, 1997**

[51] **LOC (6) Cl.** ..... **08-05**

[52] **U.S. Cl.** ..... **D8/29.1**

[58] **Field of Search** ..... D8/29.1; 222/146.1, 222/146.2, 146.5, 190, 325; 219/227, 421

[56] **References Cited**

**U.S. PATENT DOCUMENTS**

D. 367,805 3/1996 Pringle ..... D8/29.1  
4,815,636 3/1989 Stede et al. .... 222/146.5

*Primary Examiner*—Antoine Duval Davis

*Attorney, Agent, or Firm*—Pillsbury Madison & Sutro LLP

[57] **CLAIM**

The ornamental design for a glue gun, as shown and described.

**DESCRIPTION**

FIG. 1 is a perspective view looking at the front and left side of a glue gun showing my new design;

FIG. 2 is a left side plan view of the glue gun design in accordance with the present invention;

FIG. 3 is a right side plan view of the glue gun design in accordance with present invention;

FIG. 4 is a top plan view of the glue gun design in accordance with the present invention;

FIG. 5 is a bottom plan view of the glue gun design in accordance with the present invention;

FIG. 6 is a front plan view of the glue gun design in accordance with the present invention;

FIG. 7 is a rear plan view of the glue gun design in accordance with the present invention;

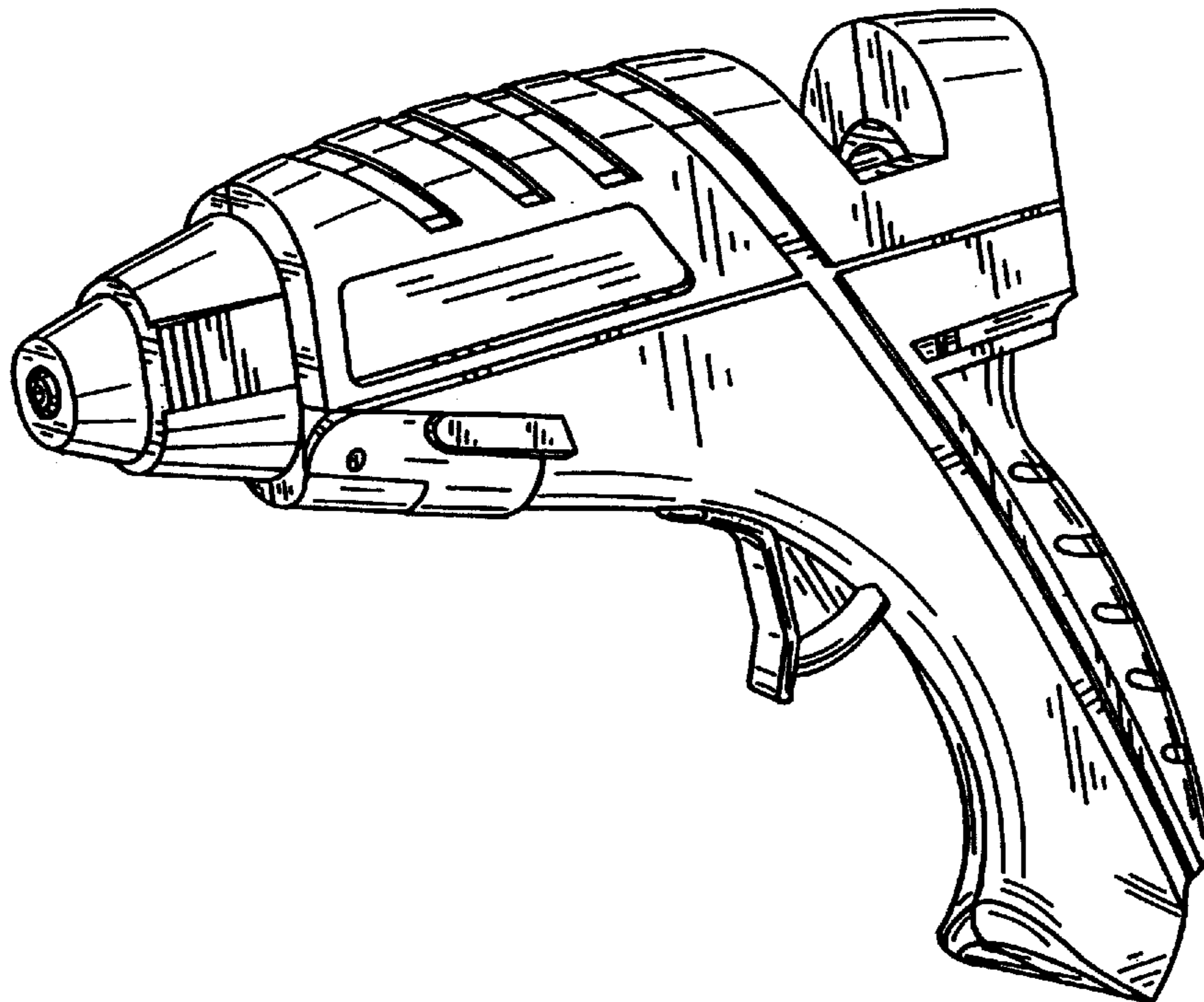
FIG. 8 is a left side plan view similar to FIG. 2, but showing a stand of the glue gun design of the present invention in an unfolded position; and,

FIG. 9 is a front plan view similar to FIG. 6, showing the stand of the glue gun in the unfolded position; and

FIG. 10 is a bottom plan view similar to FIG. 5, but showing the stand of the glue gun in the unfolded position.

The cord element has been deleted in FIGS. 1, 5 and 10 for ease of illustration.

**1 Claim, 6 Drawing Sheets**



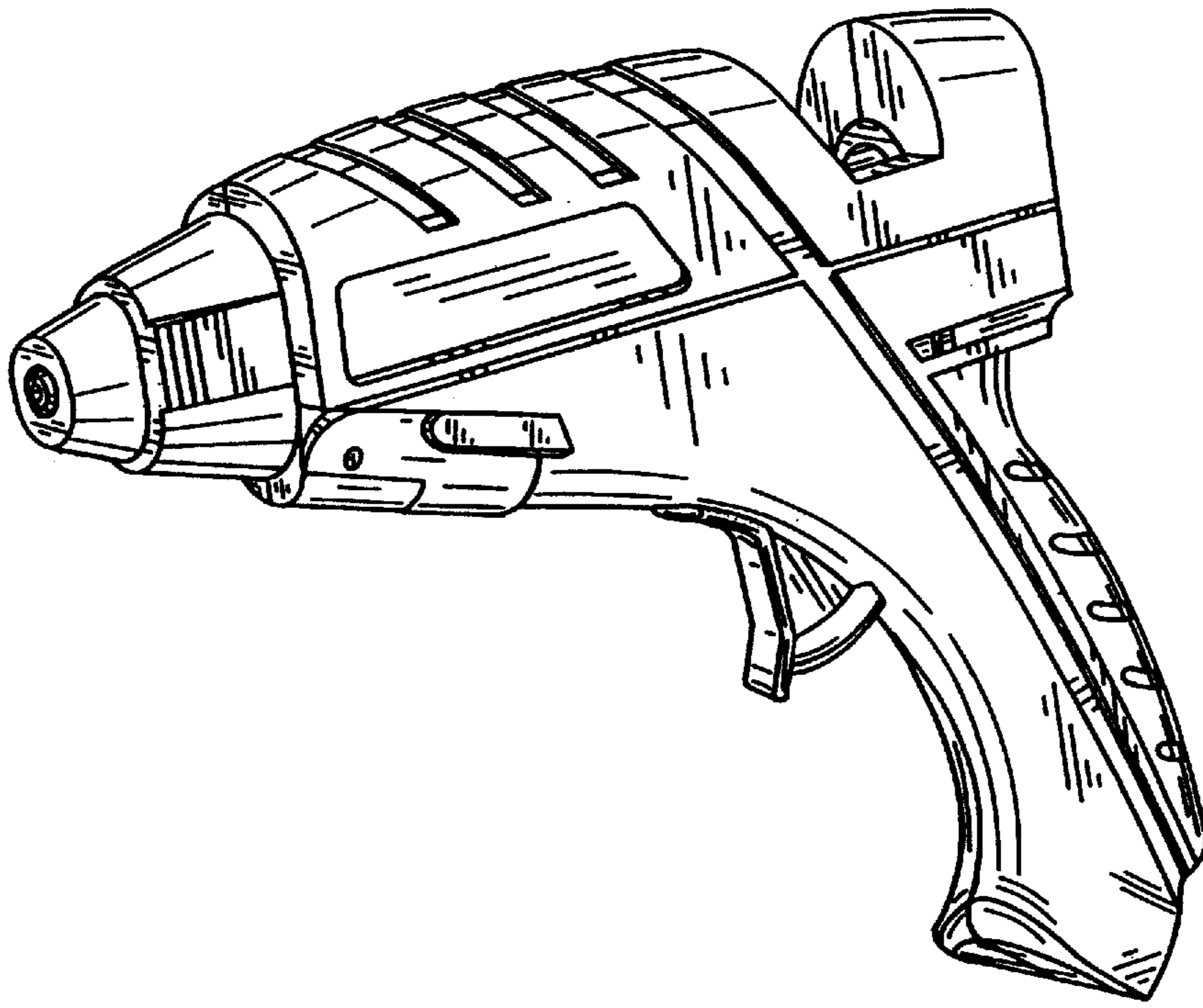


FIG. 1

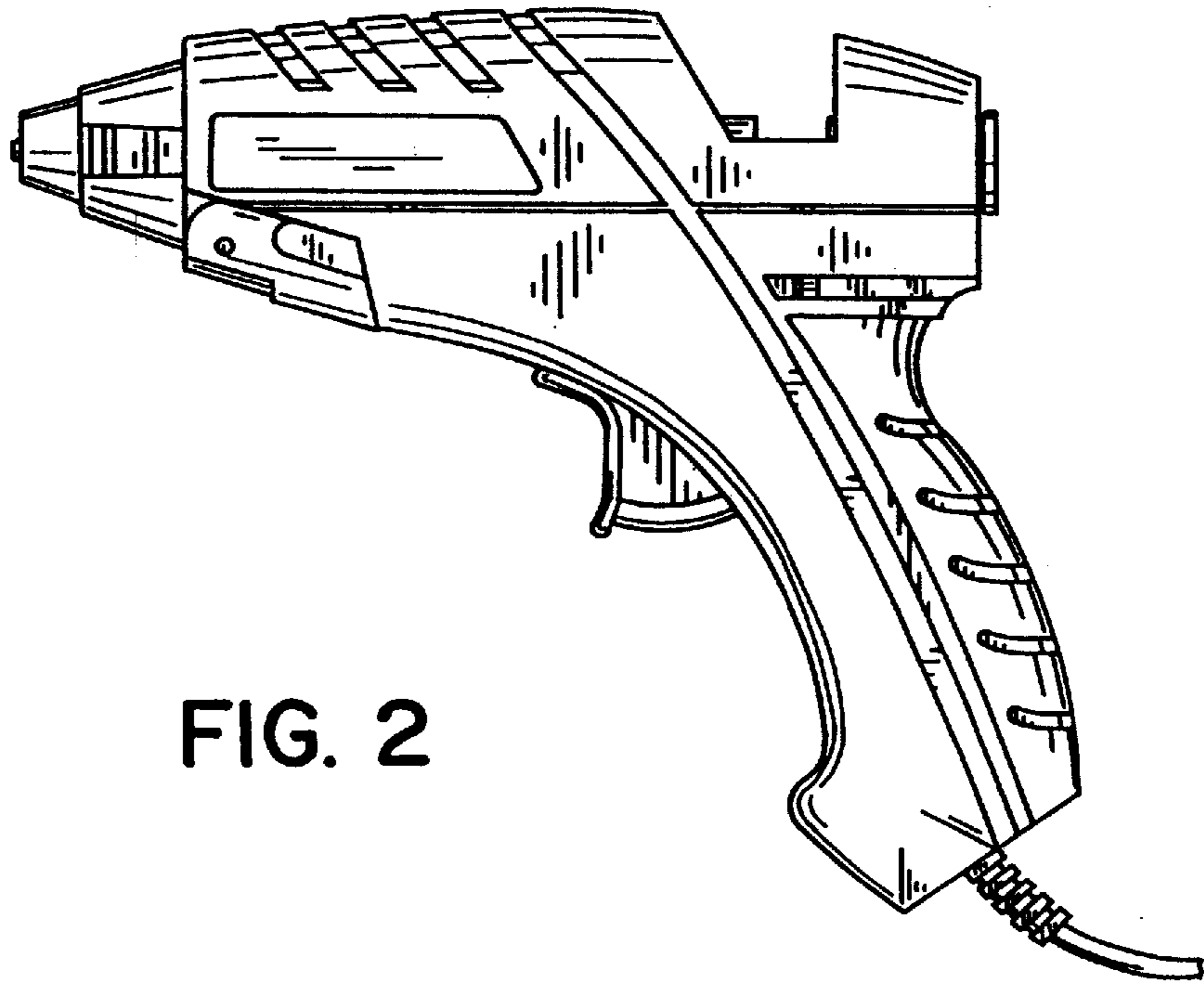


FIG. 2

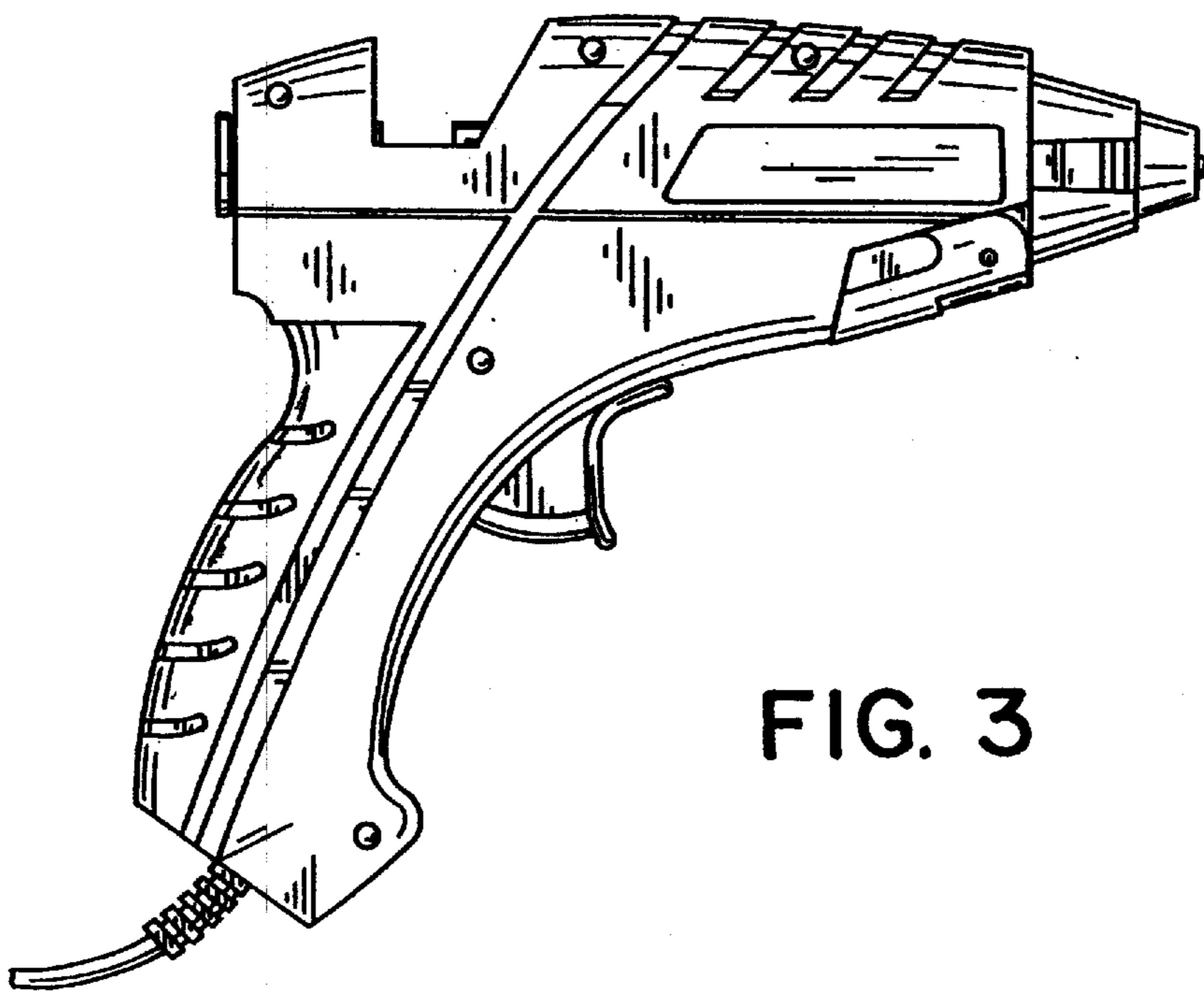


FIG. 3

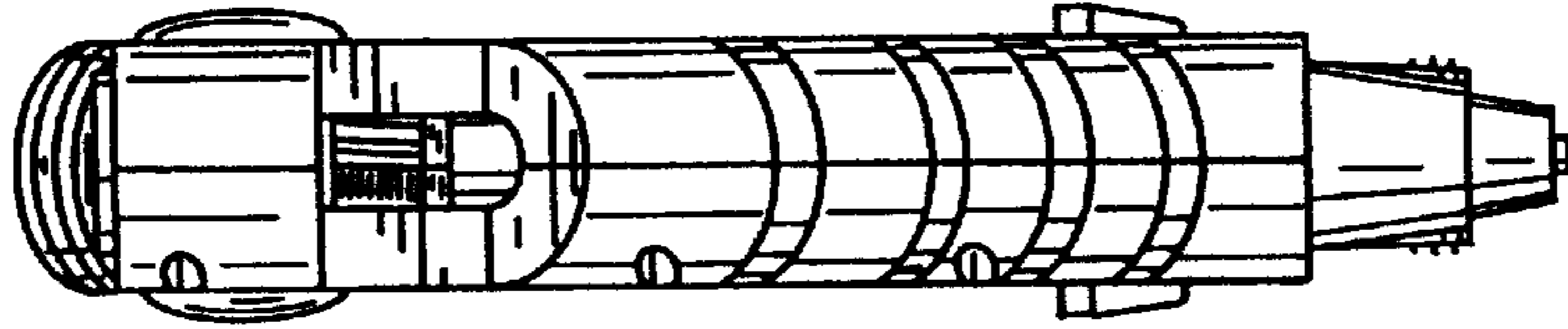


FIG. 4

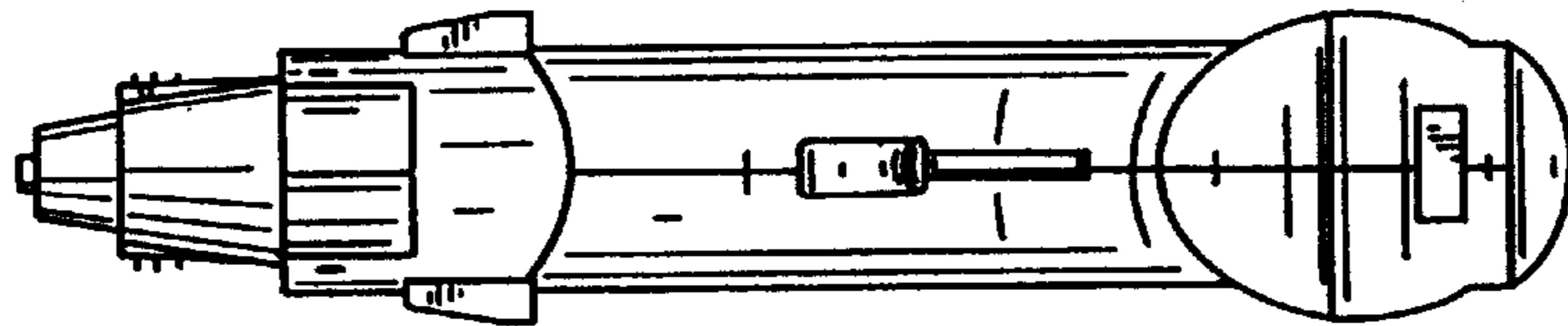


FIG. 5

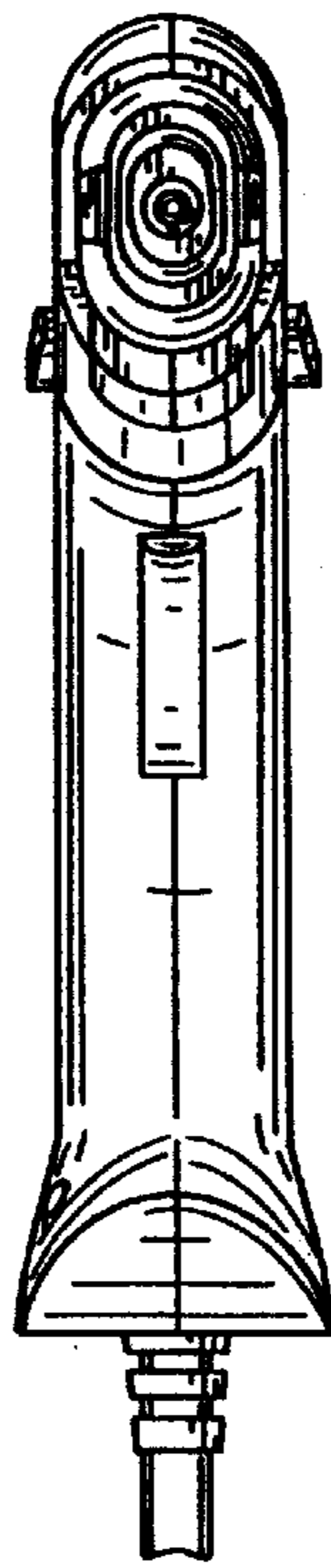


FIG. 6

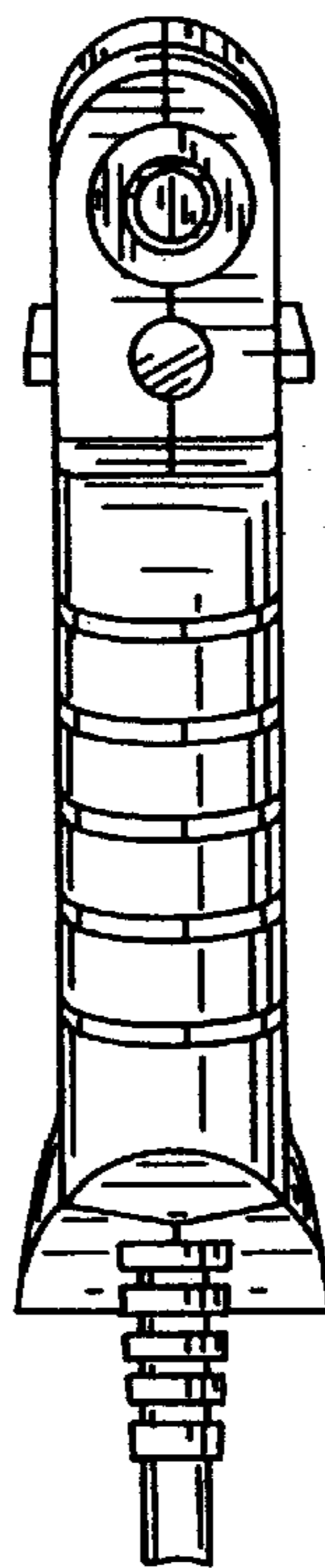


FIG. 7

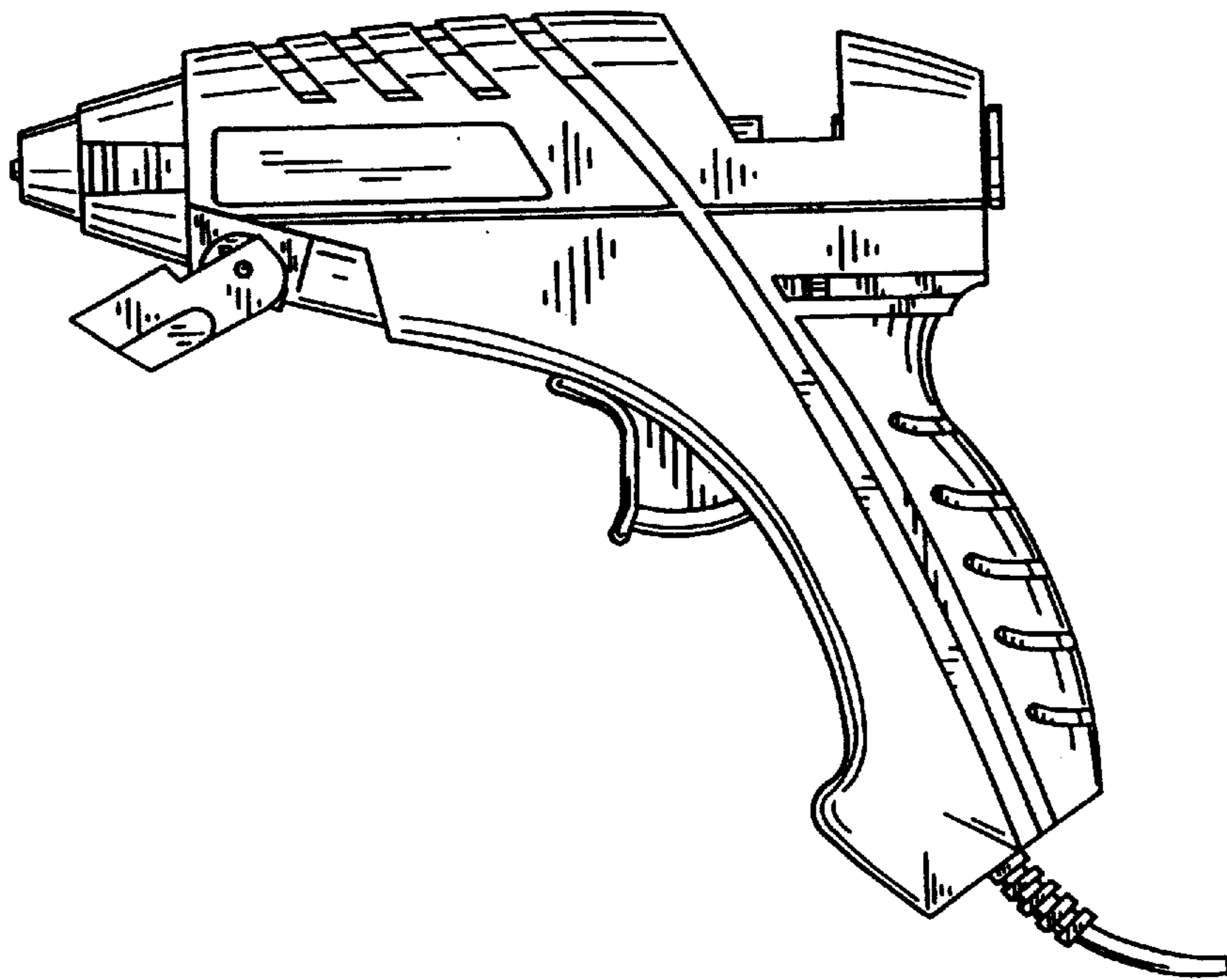


FIG. 8

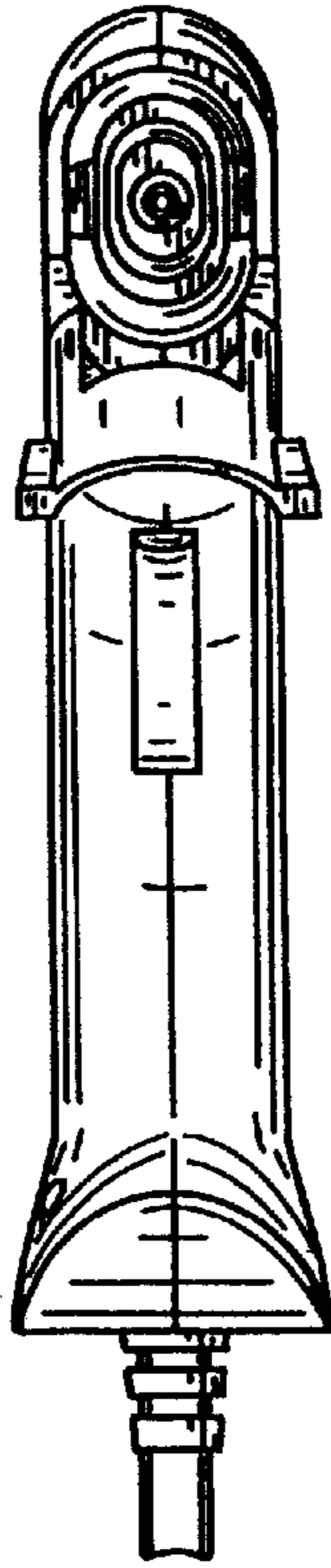


FIG. 9

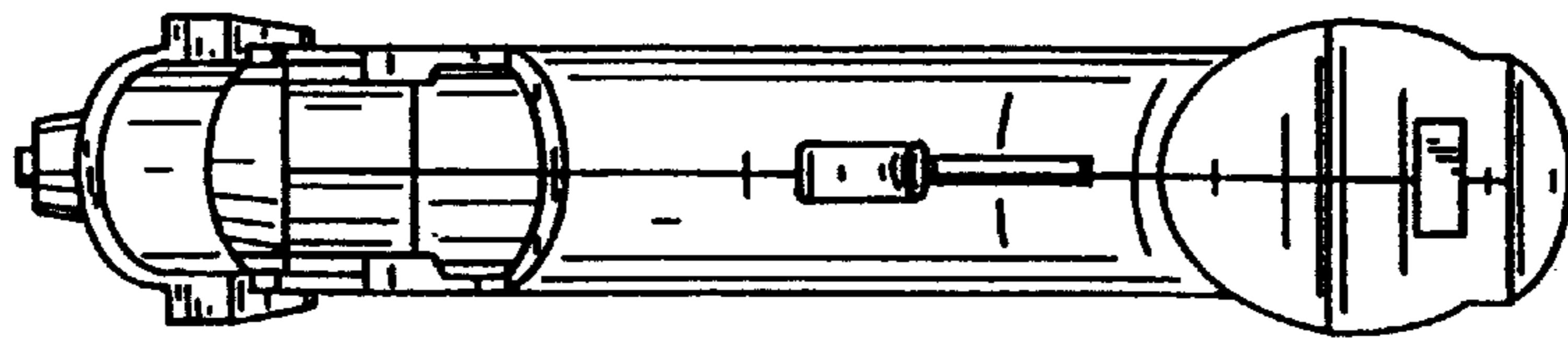


FIG. 10