



US00D404611S

United States Patent [19]
Heckman

[11] **Patent Number: Des. 404,611**

[45] **Date of Patent: **Jan. 26, 1999**

[54] **CARRIAGE ARM FOR A RECIPROCATING FOOD SLICER**

D. 269,347 6/1983 Contatore et al. D7/383
D. 372,633 8/1996 Redl, Jr. D7/383

[75] Inventor: **Thomas B. Heckman**, Troy, Ohio

Primary Examiner—Caron D. Veynar
Attorney, Agent, or Firm—Thompson Hine & Flory LLP

[73] Assignee: **Premark Feg L.L.C.**, Wilmington, Del.

[**] Term: **14 Years**

[57] **CLAIM**

The ornamental design for a carriage arm for a reciprocating food slicer, as shown and described.

[21] Appl. No.: **58,443**

DESCRIPTION

[22] Filed: **Aug. 15, 1996**

[51] **LOC (6) Cl.** **31-00**

[52] **U.S. Cl.** **D7/412**

[58] **Field of Search** D7/383, 412, 555;
D13/107; 99/353; 269/15

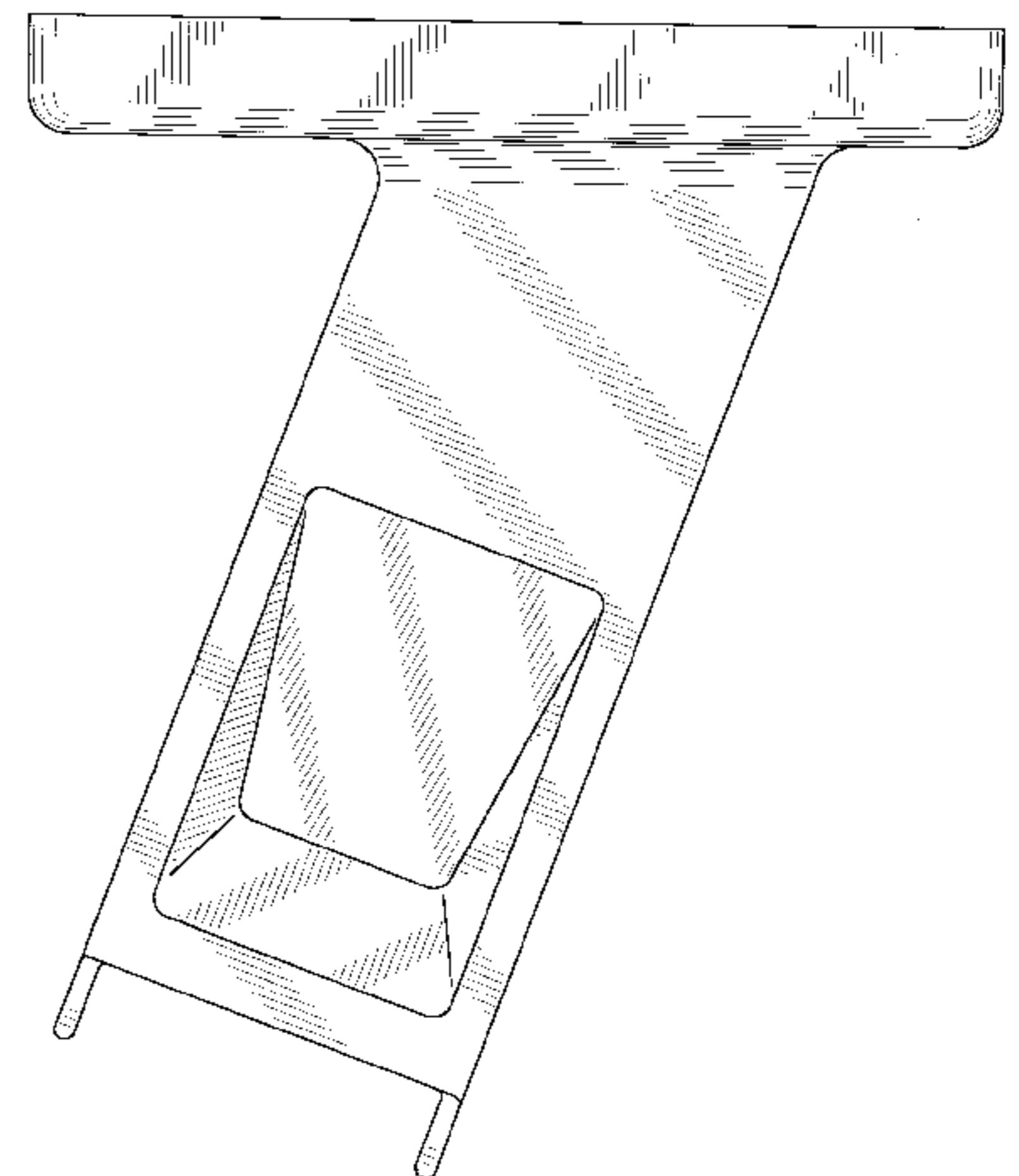
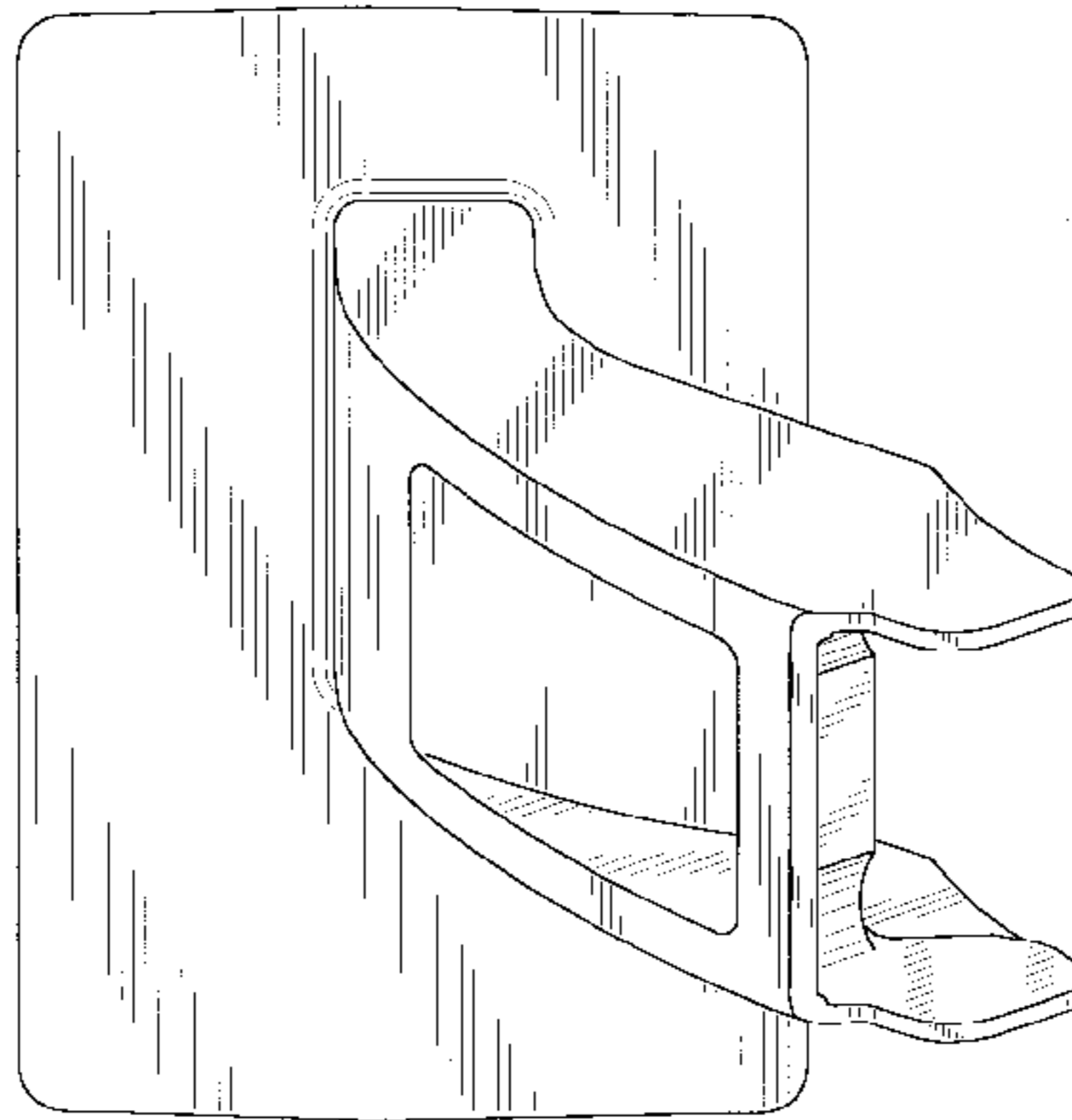
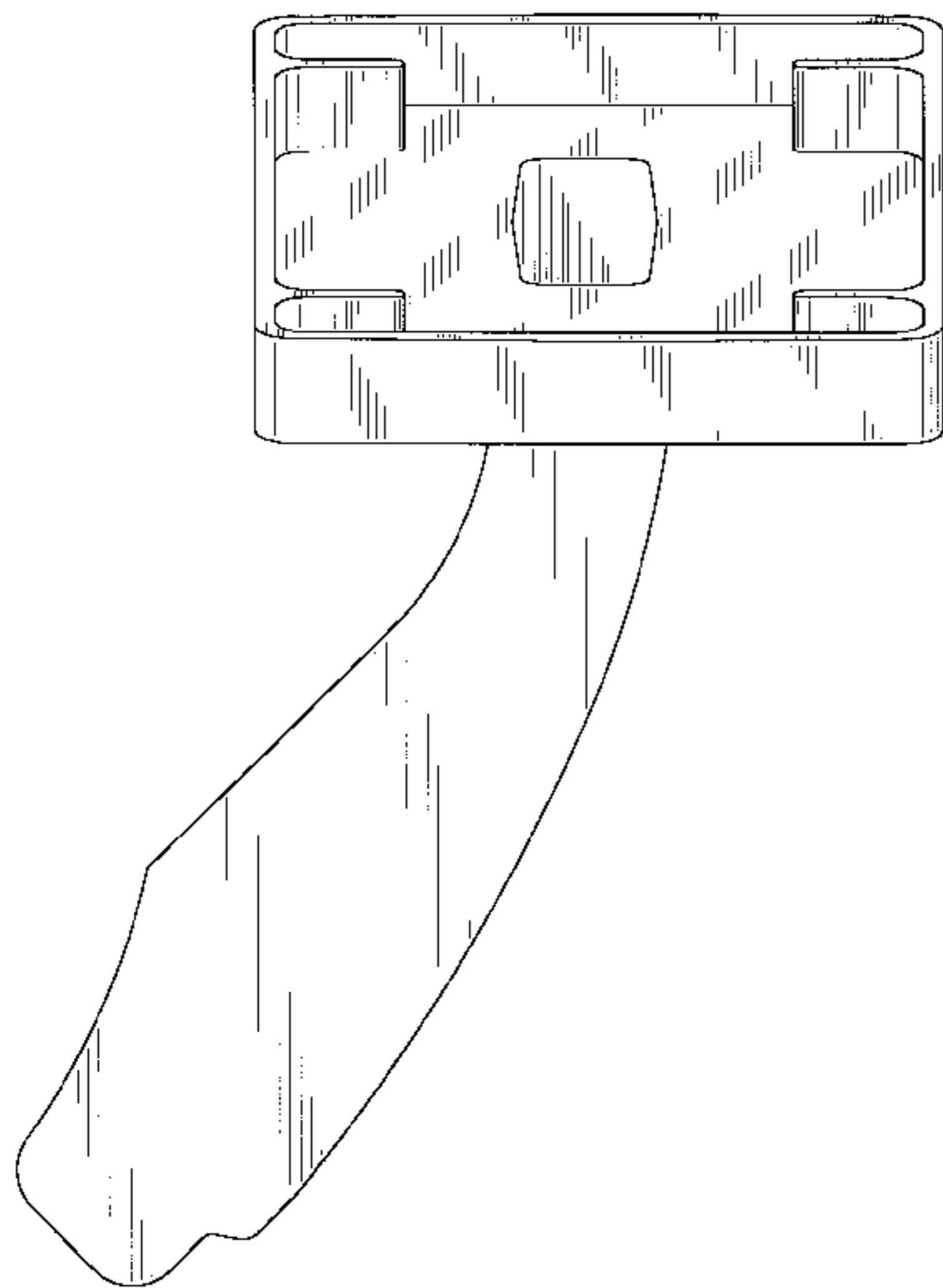
FIG. 1 is a perspective view of a carriage arm for a reciprocating food slicer including my new design;
FIG. 2 is a front elevational view thereof;
FIG. 3 is a top plan view thereof;
FIG. 4 is a bottom plan view thereof;
FIG. 5 is a left side elevational view thereof;
FIG. 6 is a right side elevational view thereof; and,
FIG. 7 is a rear elevation view thereof.

[56] **References Cited**

U.S. PATENT DOCUMENTS

D. 174,745 5/1955 Green et al. D7/383
D. 190,051 4/1961 Lundell D7/383

1 Claim, 7 Drawing Sheets



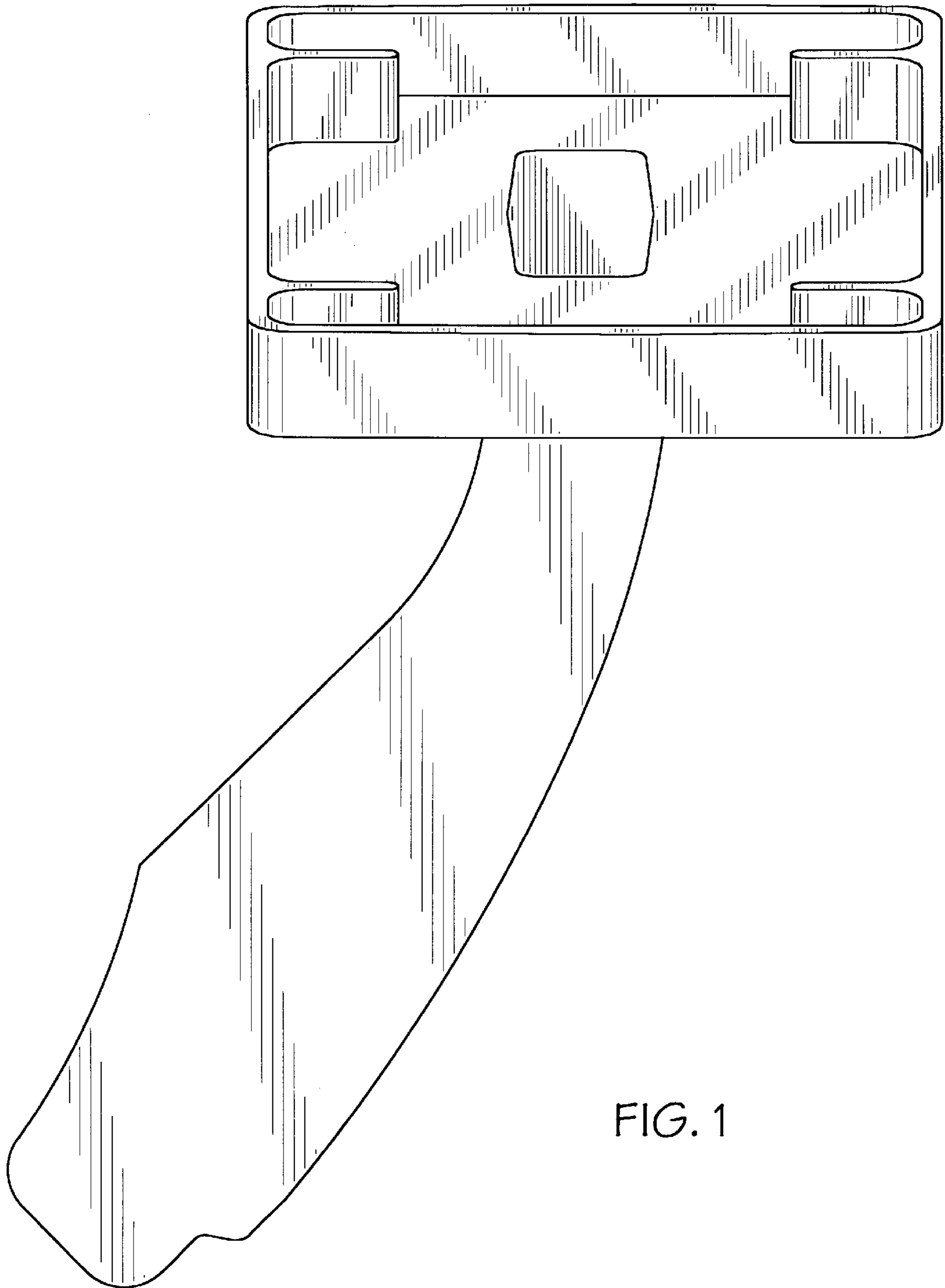


FIG. 1

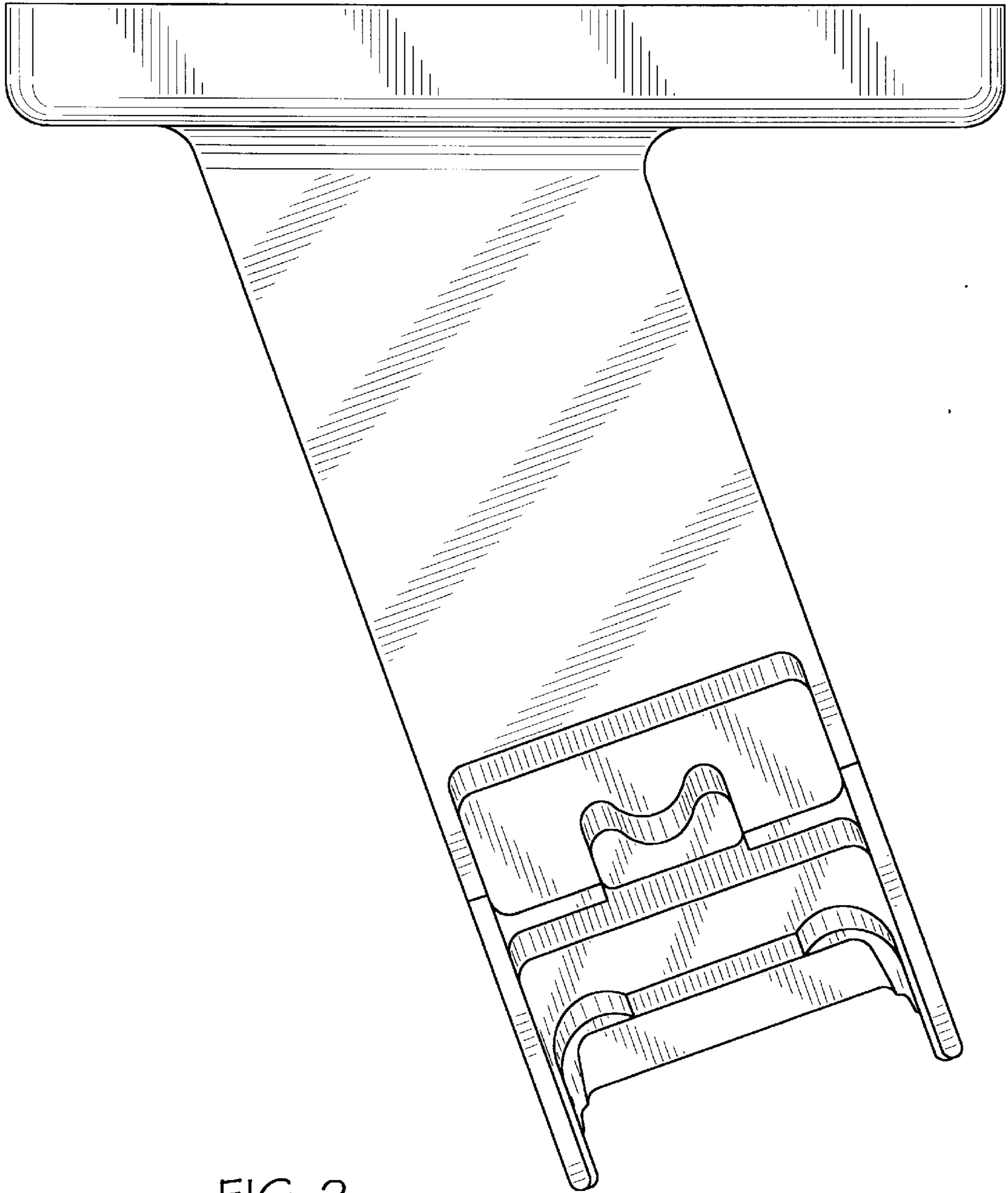


FIG. 2

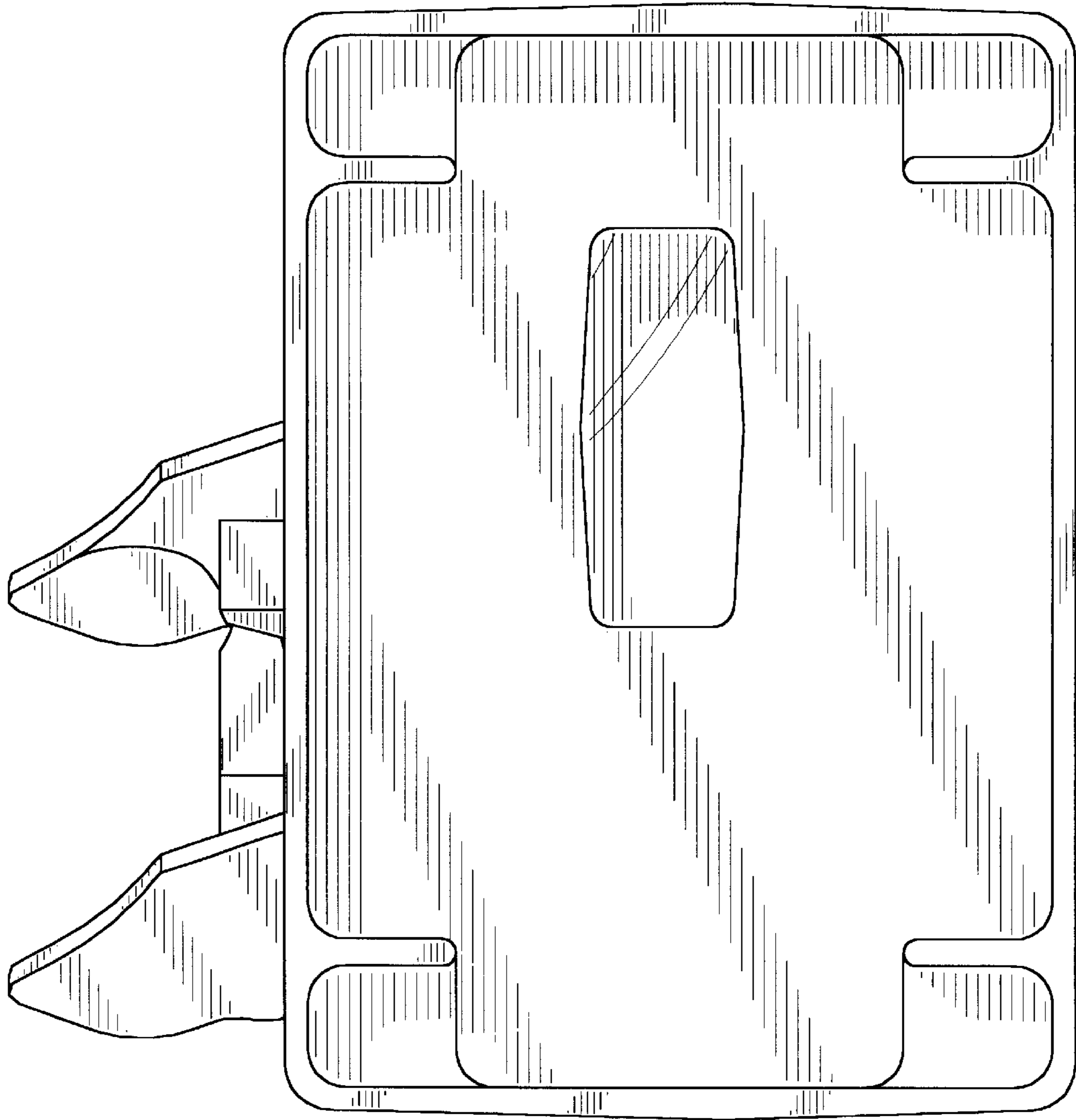


FIG. 3

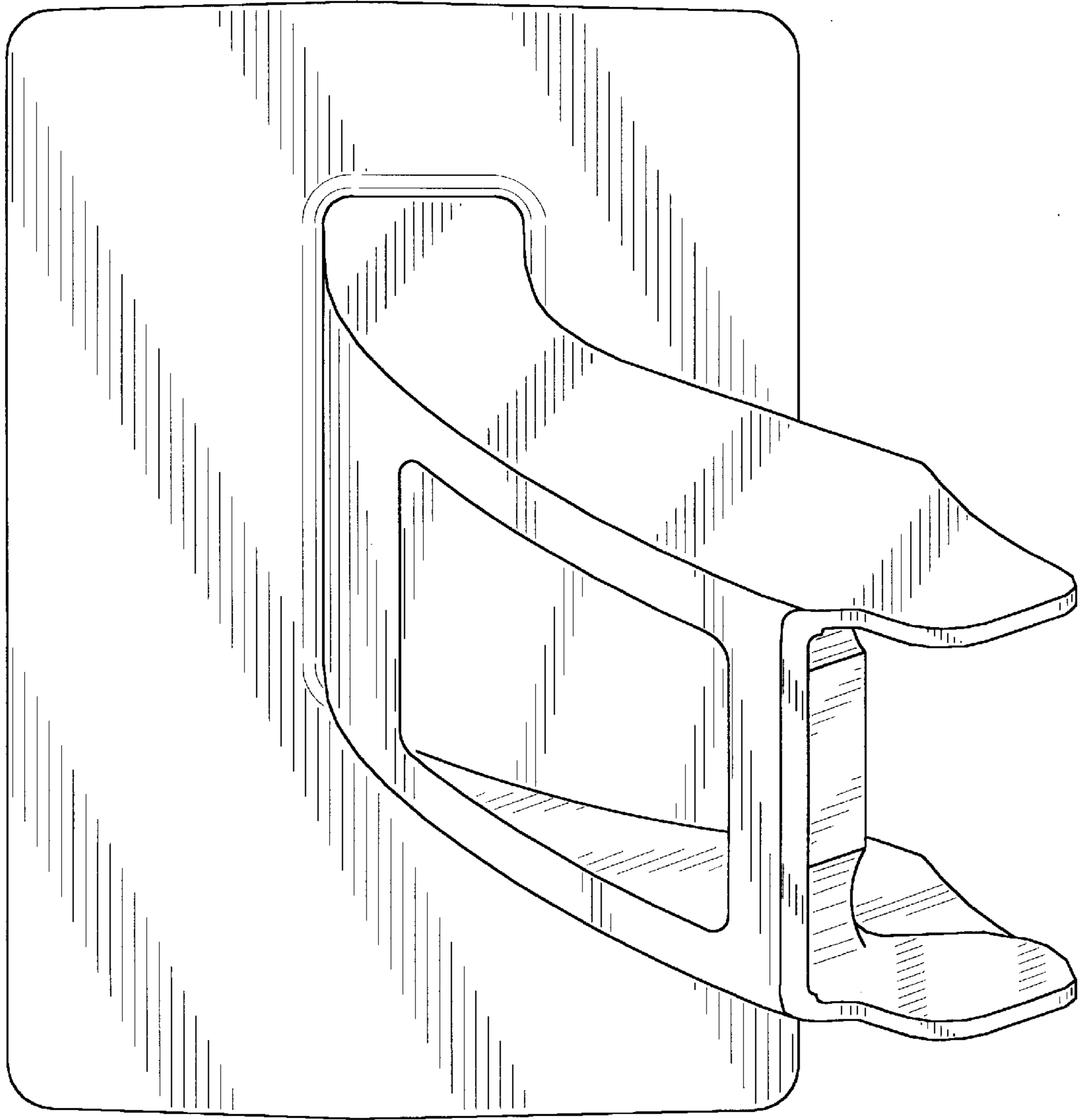


FIG. 4

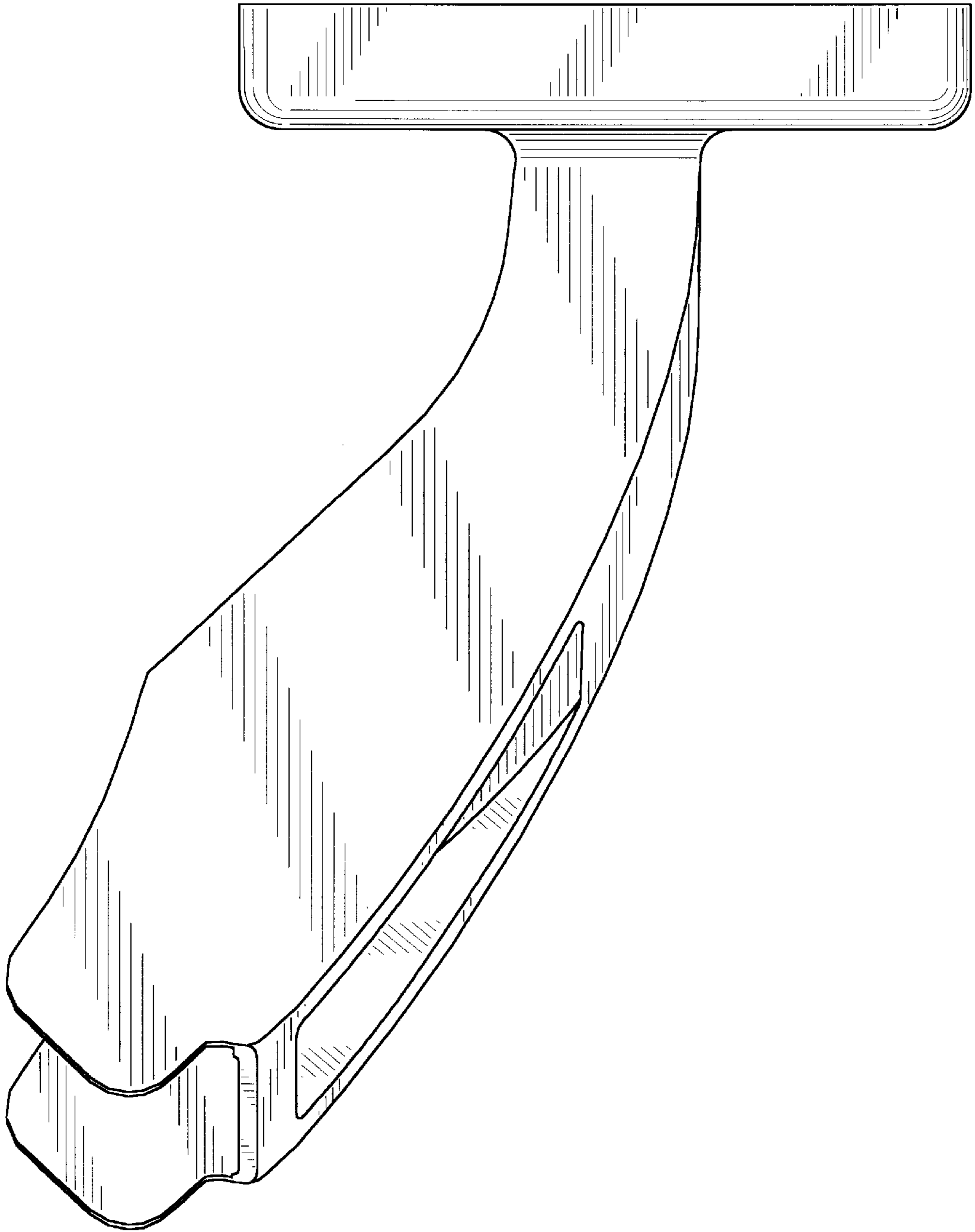


FIG. 5

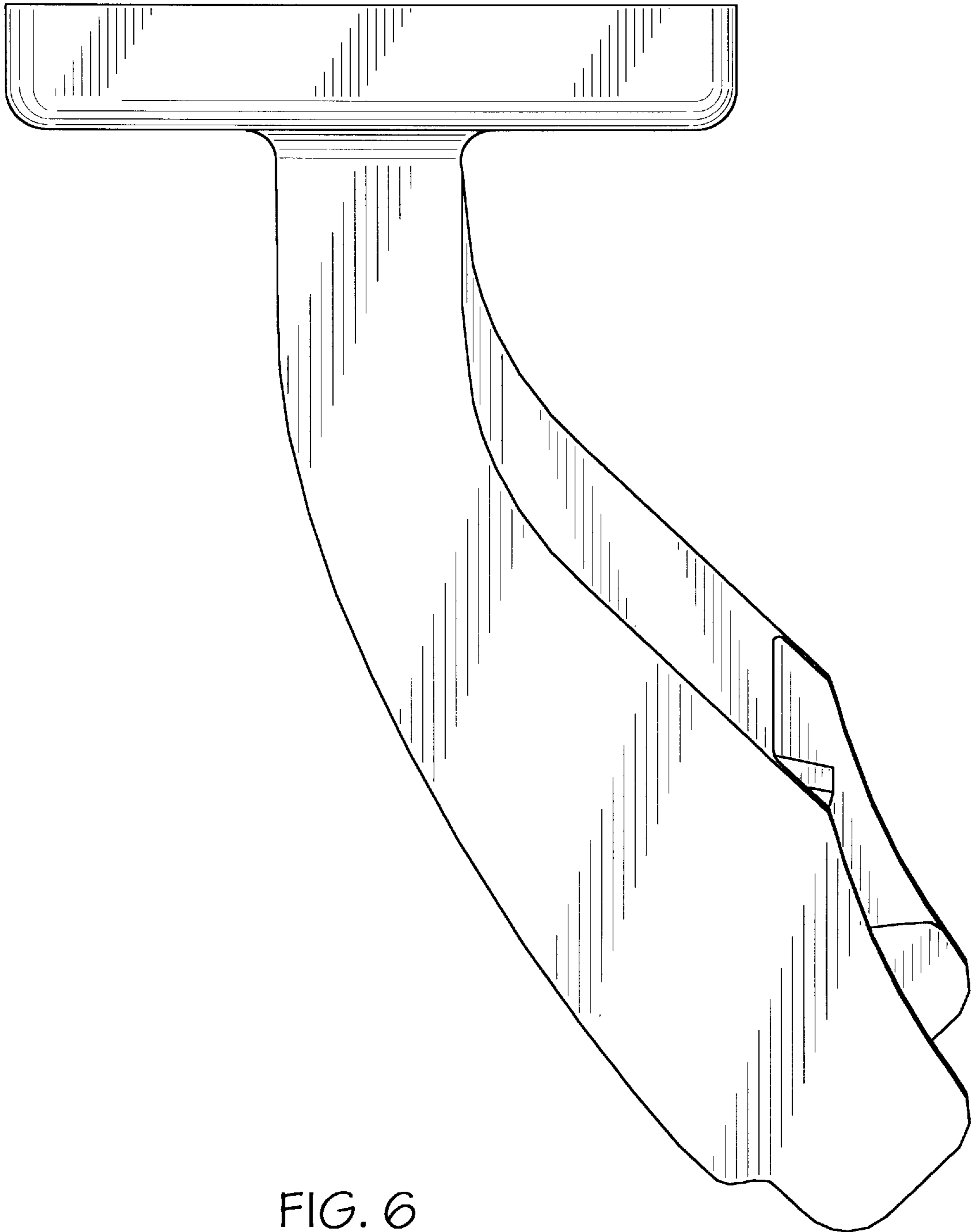


FIG. 6

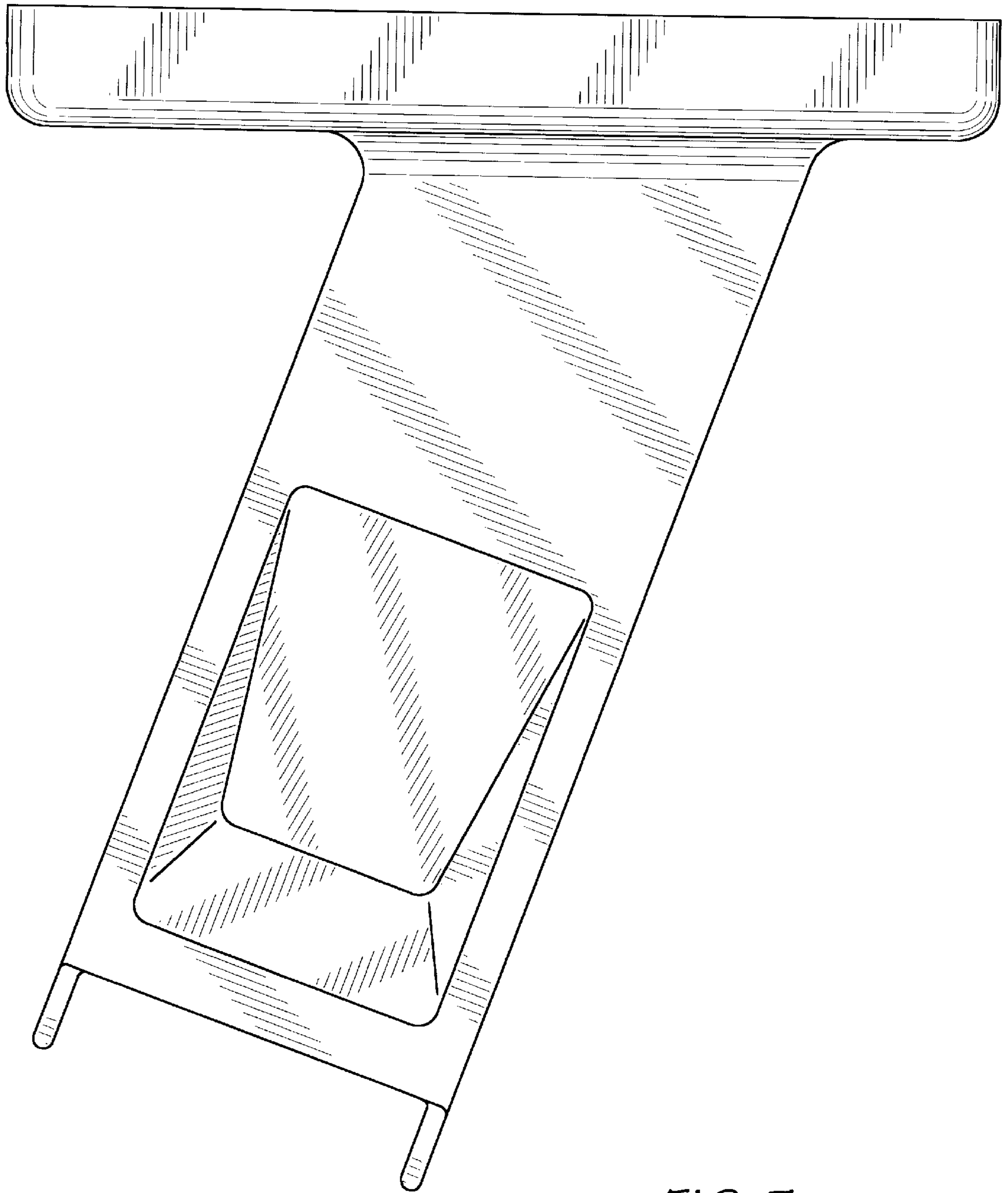


FIG. 7