



US00D404608S

# United States Patent [19]

Michaeli

[11] **Patent Number: Des. 404,608**

[45] **Date of Patent: \*\*Jan. 26, 1999**

[54] **INTEGRAL BASE FOR A DRINKING GLASS**

[75] Inventor: **Joseph Michaeli**, Larchmont, N.Y.

[73] Assignee: **Novelty Crystal Corporation**,  
Elmhurst, N.Y.

[\*\*] Term: **14 Years**

[21] Appl. No.: **86,724**

[22] Filed: **Apr. 17, 1998**

[51] **LOC (6) Cl.** ..... **07-01**

[52] **U.S. Cl.** ..... **D7/396.2; D7/396.6; D7/624**

[58] **Field of Search** ..... D7/396.2, 396.6,  
D7/624, 536, 533, 510, 511, 523, 509,  
513, 512, 532, 534, 619, 622, 535, 531,  
514; 215/393; 220/771, 755

[56] **References Cited**

**U.S. PATENT DOCUMENTS**

D. 304,538 11/1989 Byrnes ..... D7/624 X

D. 304,889 12/1989 Stymeist ..... D7/536  
D. 307,850 5/1990 Aoki et al. .... D7/624  
D. 353,975 1/1995 Gooch ..... D7/624  
D. 362,368 9/1995 Bridges ..... D7/536  
D. 364,781 12/1995 Fenton et al. .... D7/624

*Primary Examiner*—M. N. Pandozzi

*Attorney, Agent, or Firm*—Buchanan Ingersoll, P.C.

[57] **CLAIM**

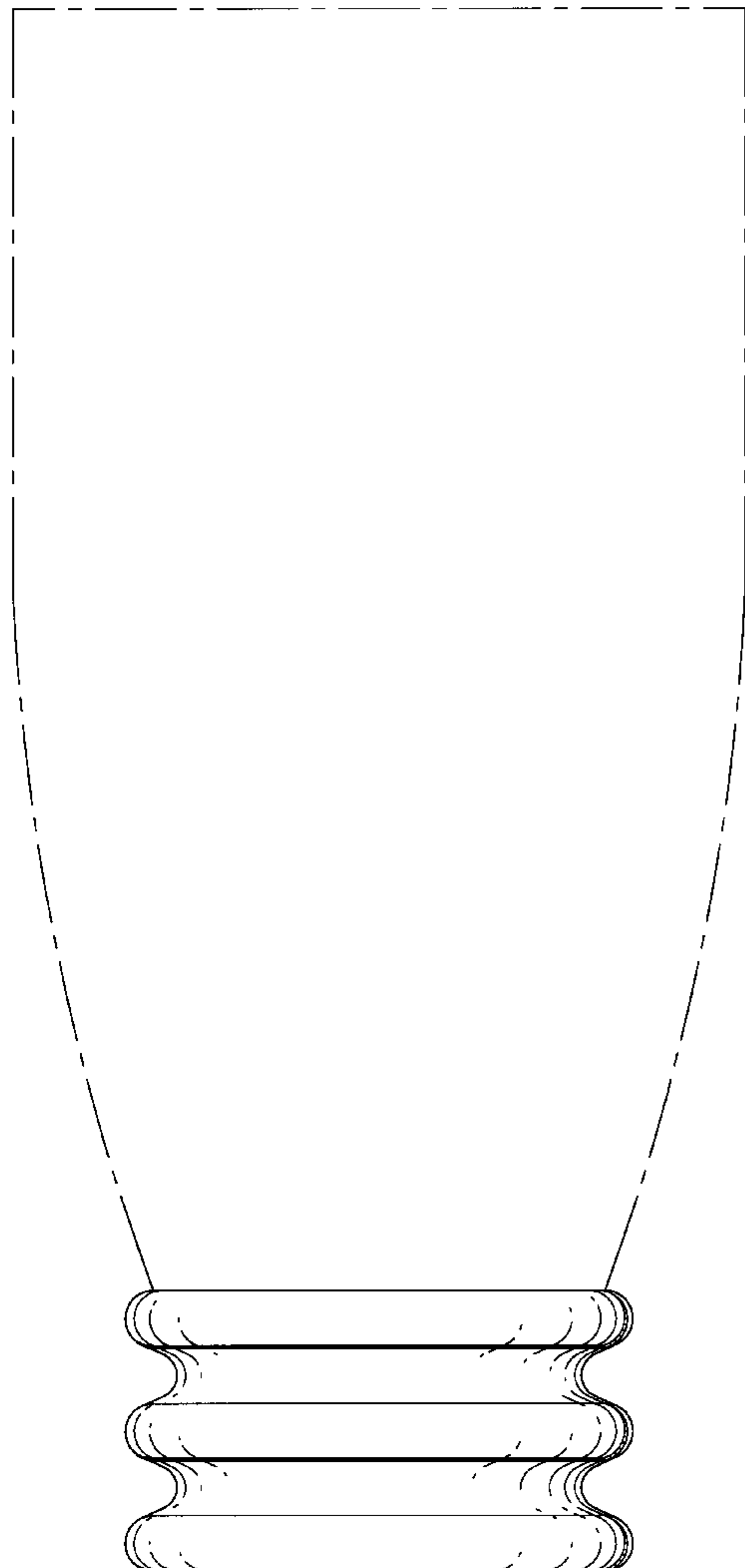
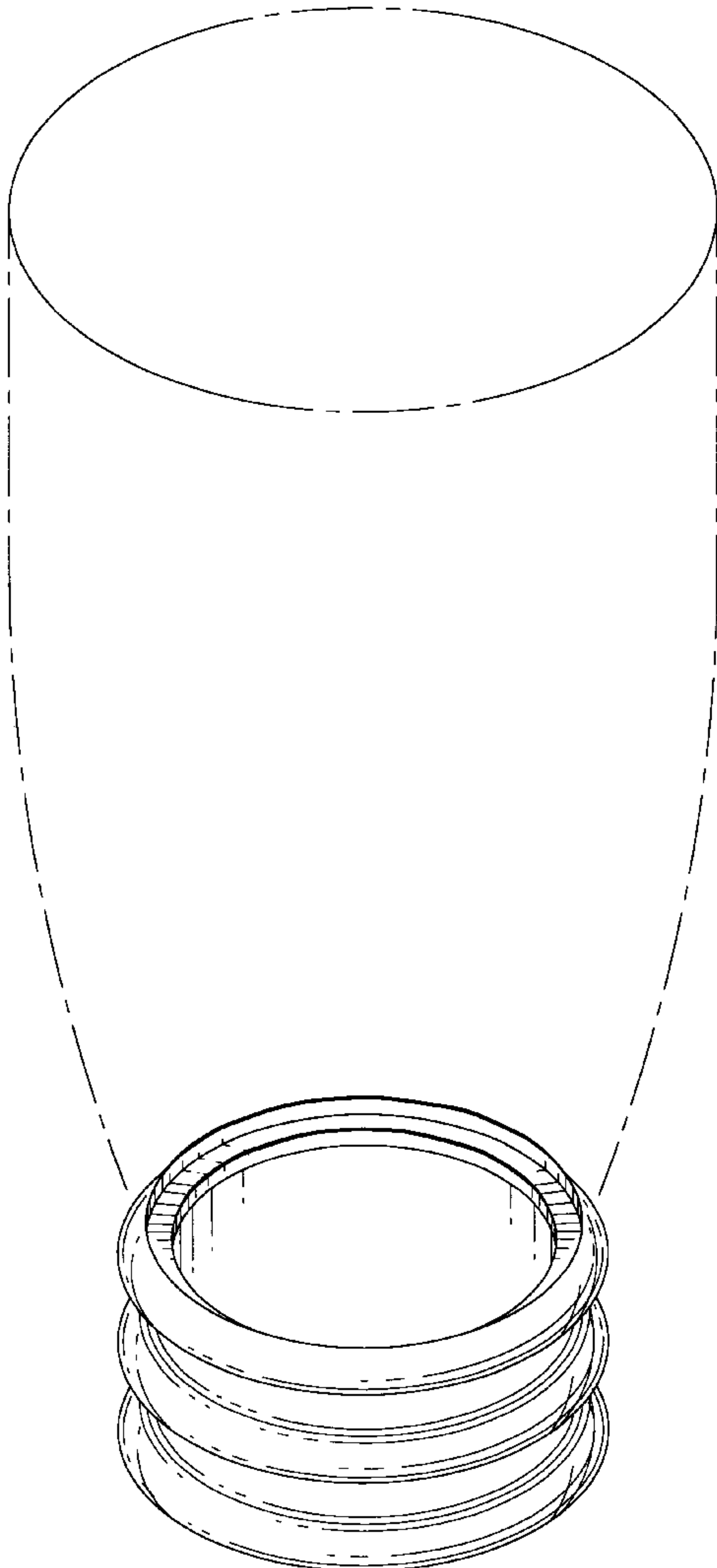
The ornamental design for an integral base for a drinking glass, as shown and described.

**DESCRIPTION**

FIG. 1 is a top perspective view of an integral base for a drinking glass showing my new design;  
FIG. 2 is a side view thereof;  
FIG. 3 is a top plan view thereof; and,  
FIG. 4 is a bottom view thereof.

The broken line showing is for illustrative purposes only and forms no part of the claimed design.

**1 Claim, 3 Drawing Sheets**



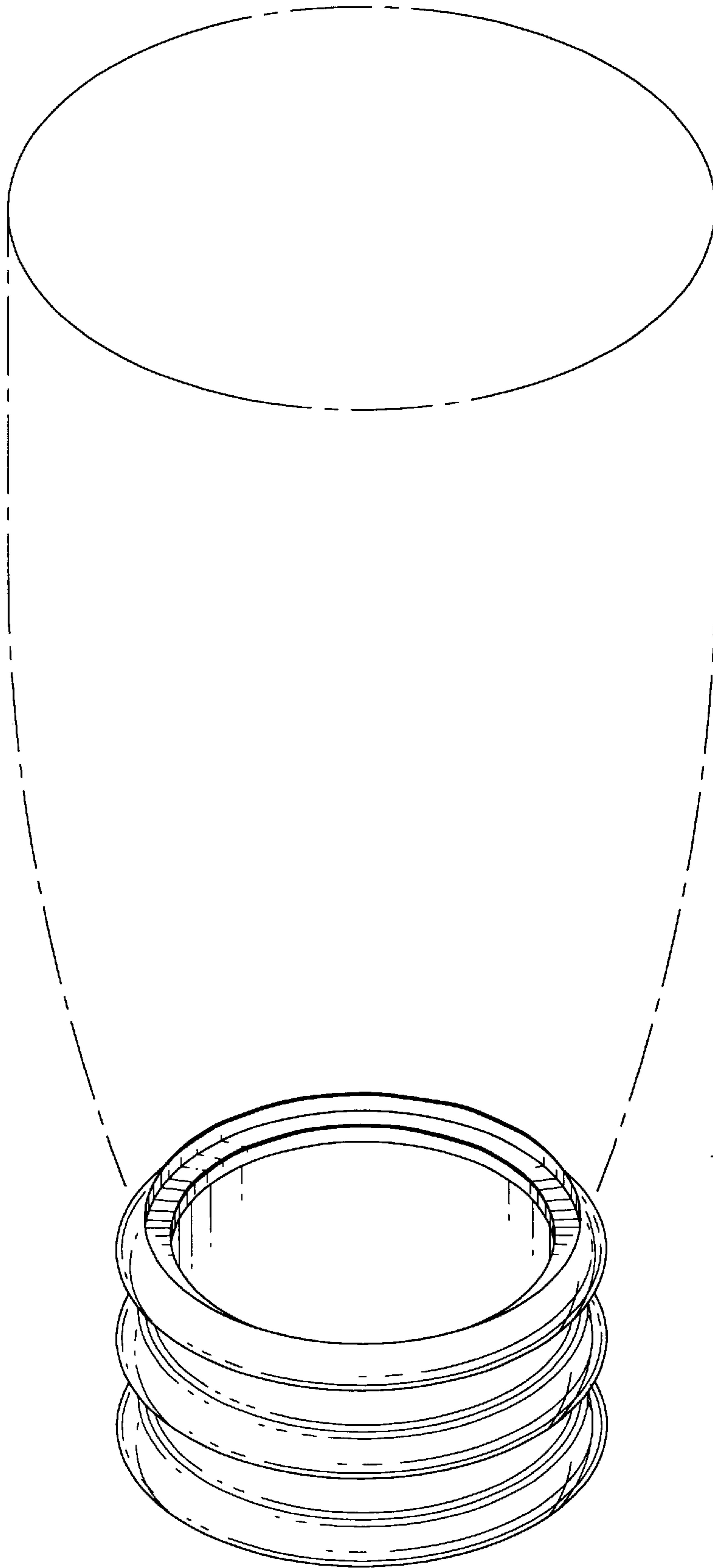


FIG. 1

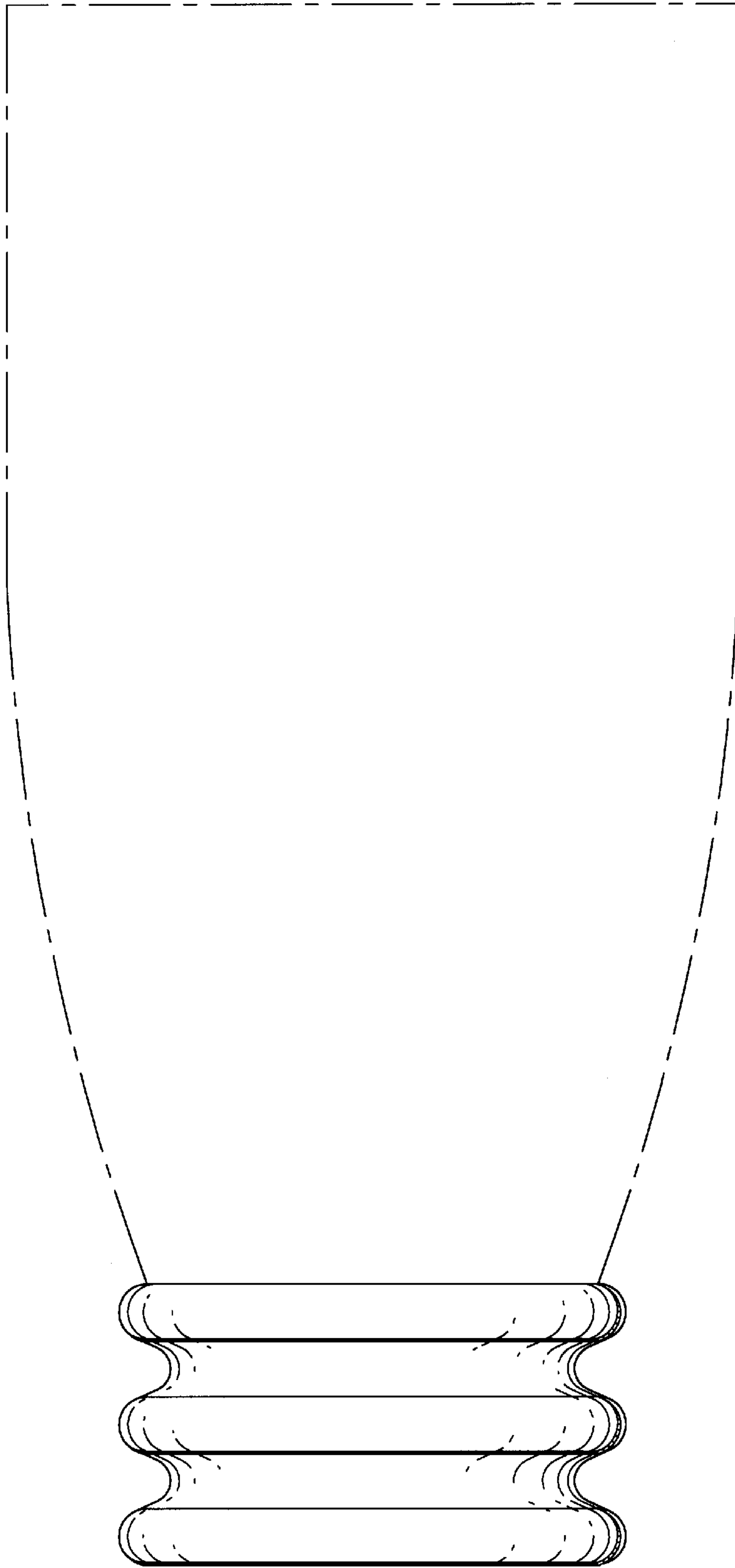


FIG.2

FIG.3

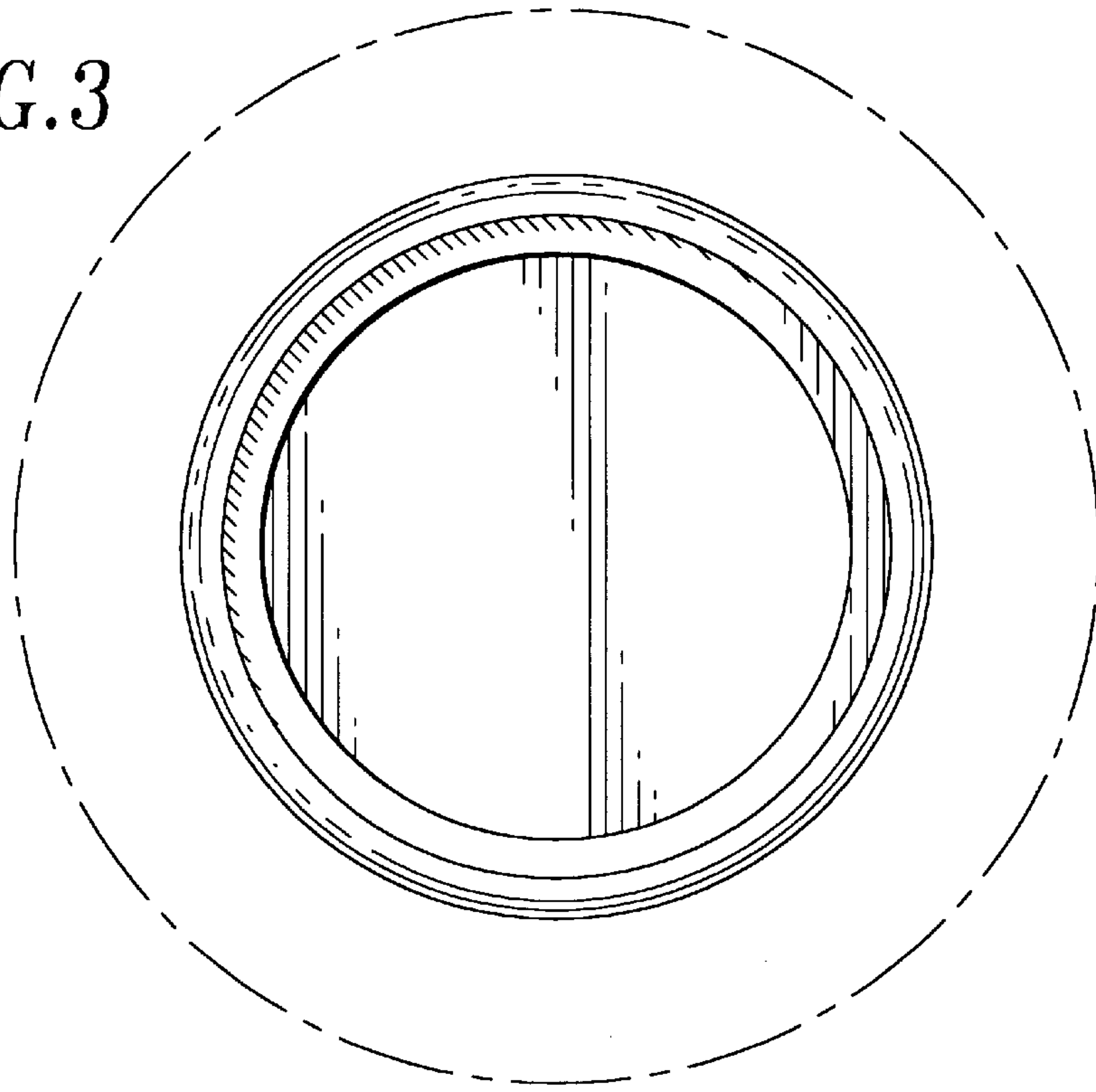


FIG.4

