



US00D404605S

United States Patent [19]

Barthelemy et al.

[11] Patent Number: Des. 404,605

[45] Date of Patent: ***Jan. 26, 1999

[54] TOASTER

[75] Inventors: **Matt Barthelemy**, Burlingame; **Sonja Schiefer**, Palo Alto, both of Calif.

[73] Assignee: **Sunbeam Products, Inc.**, Delray Beach, Fla.

[*] Notice: The portion of the term of this patent subsequent to Oct. 8, 2010, has been disclaimed.

[**] Term: **14 Years**

[21] Appl. No.: **43,355**

[22] Filed: **Aug. 10, 1995**

[51] LOC (6) Cl. **07-02**

[52] U.S. Cl. **D7/330**

[58] Field of Search D7/323, 328-330, D7/390; 99/327, 372, 385, 389, 391, 392, 341

[56] **References Cited**

U.S. PATENT DOCUMENTS

D. 99,287 4/1936 Knapp D7/328

D. 296,290	6/1988	Yamanaka	D7/330
D. 310,004	8/1990	Storsberg	D7/330 X
D. 338,131	8/1993	Stützer	D7/328 X
1,656,848	1/1928	Wyatt	D7/328 X
1,762,176	6/1930	Kuhn et al.	99/391
4,345,513	8/1982	Holt	D7/330 X

Primary Examiner—James Gandy
Assistant Examiner—Caron D. Veynar
Attorney, Agent, or Firm—Michael J. Kline; Charles E. Kosinski

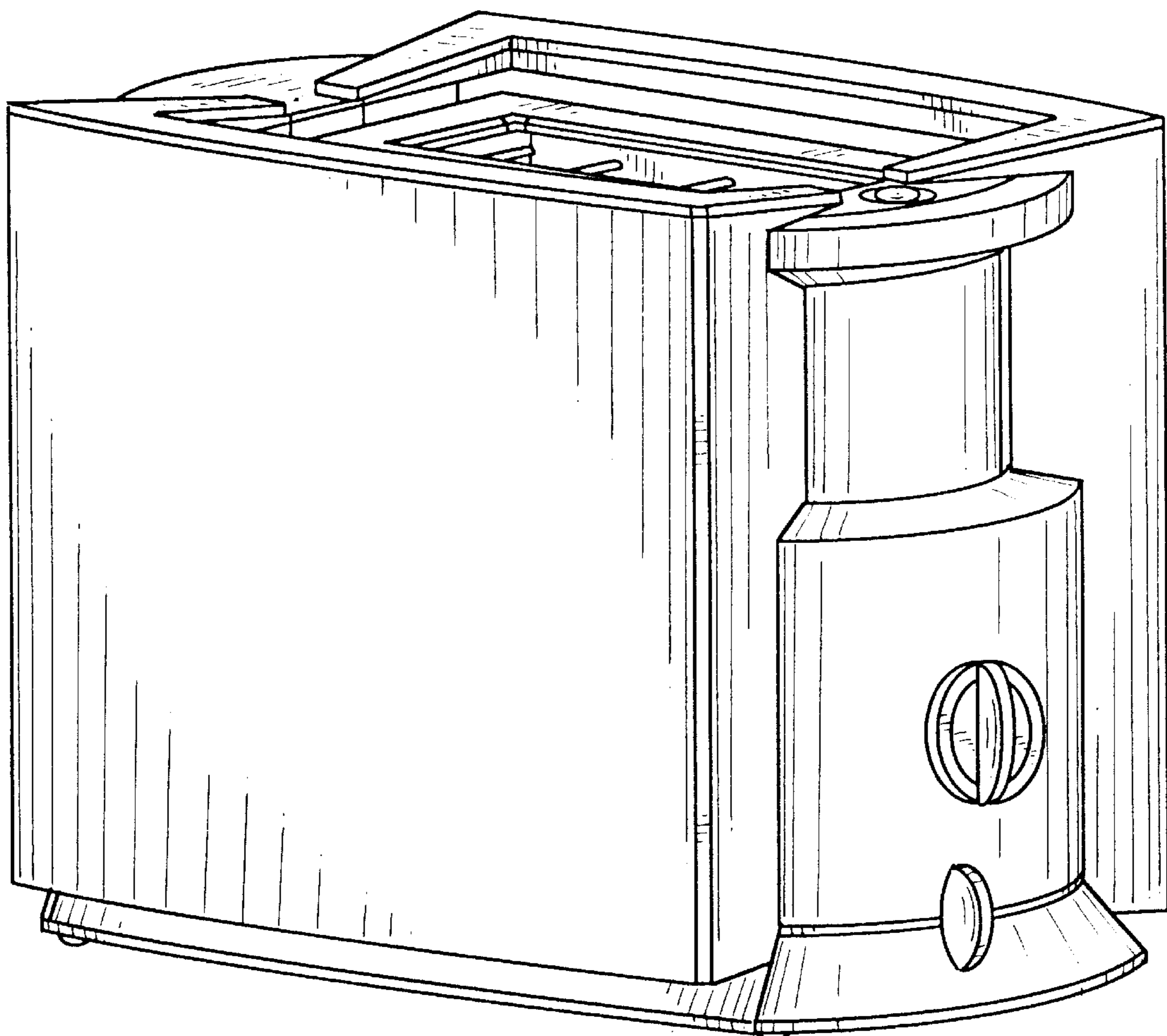
[57] **CLAIM**

The ornamental design for a toaster, as shown and described.

DESCRIPTION

FIG. 1 is a isometric view of a toaster of the present invention;
FIG. 2 is a front elevational view of the toaster of FIG. 1;
FIG. 3 is a rear elevational view of the toaster of FIG. 1;
FIG. 4 is a right side elevational view of the toaster of FIG. 1;
FIG. 5 is a left side elevational view of the toaster of FIG. 1;
FIG. 6 is a top plan view of the toaster of FIG. 1; and,
FIG. 7 is a bottom plan view of the toaster of FIG. 1.

1 Claim, 6 Drawing Sheets



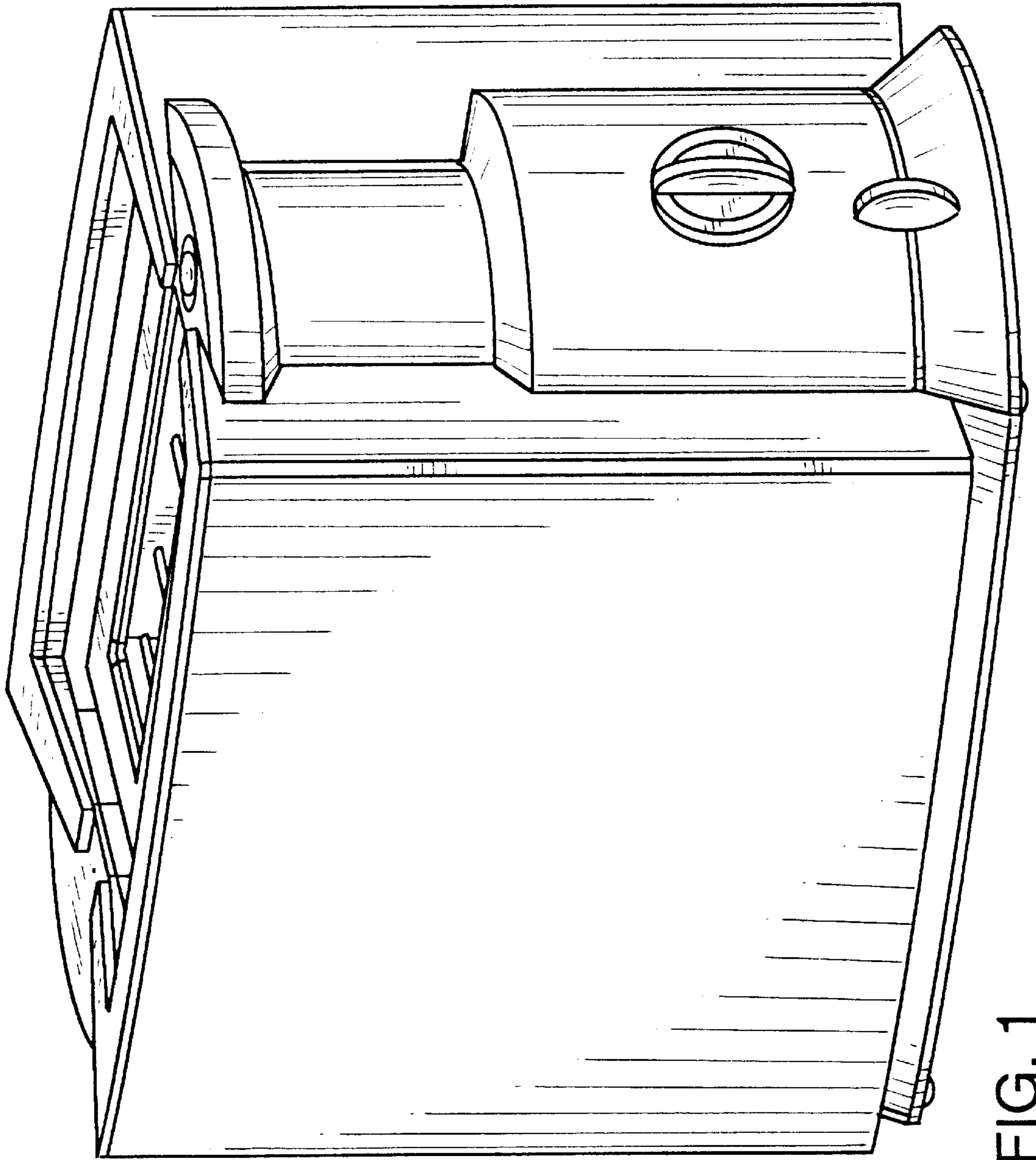


FIG. 1

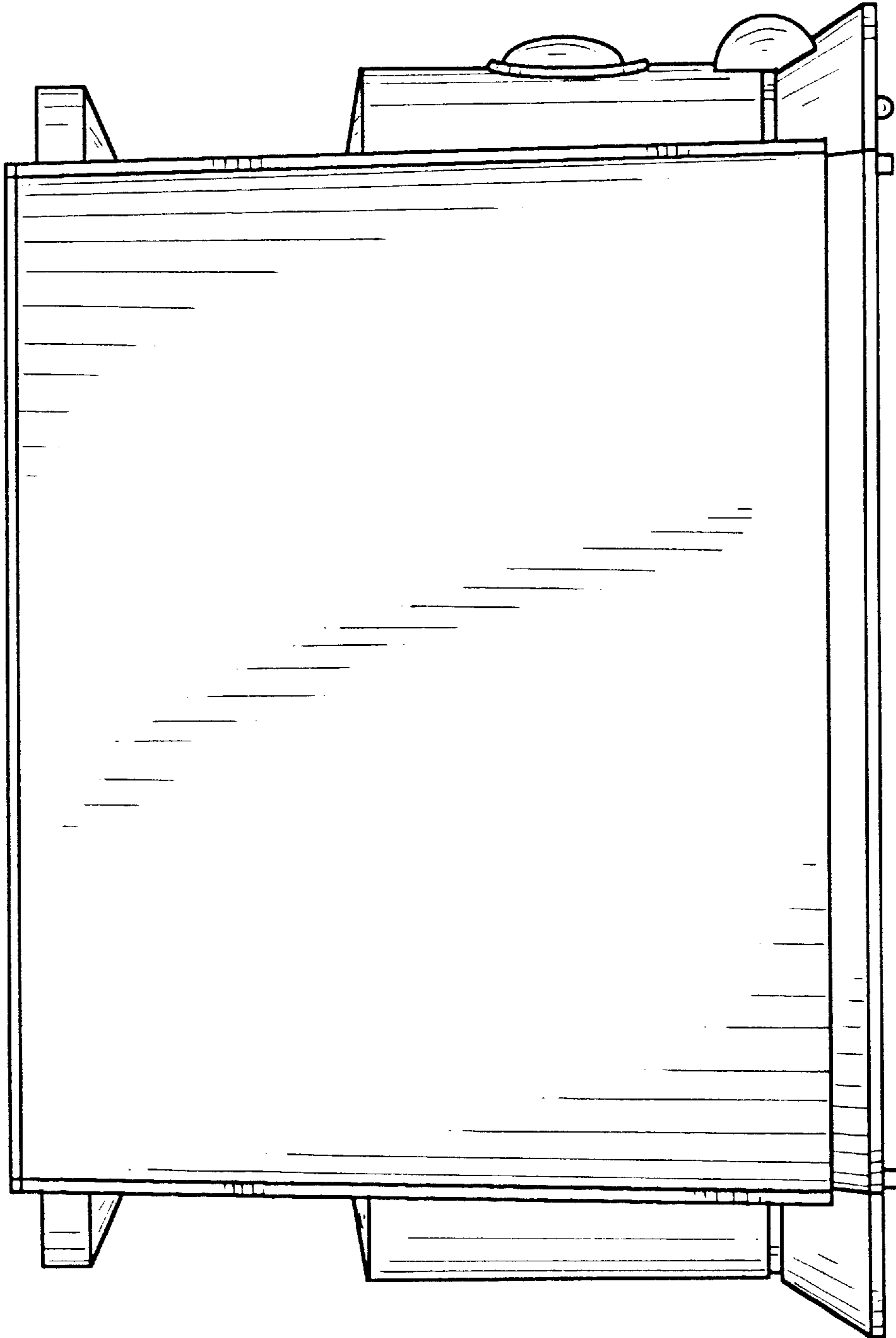


FIG. 2

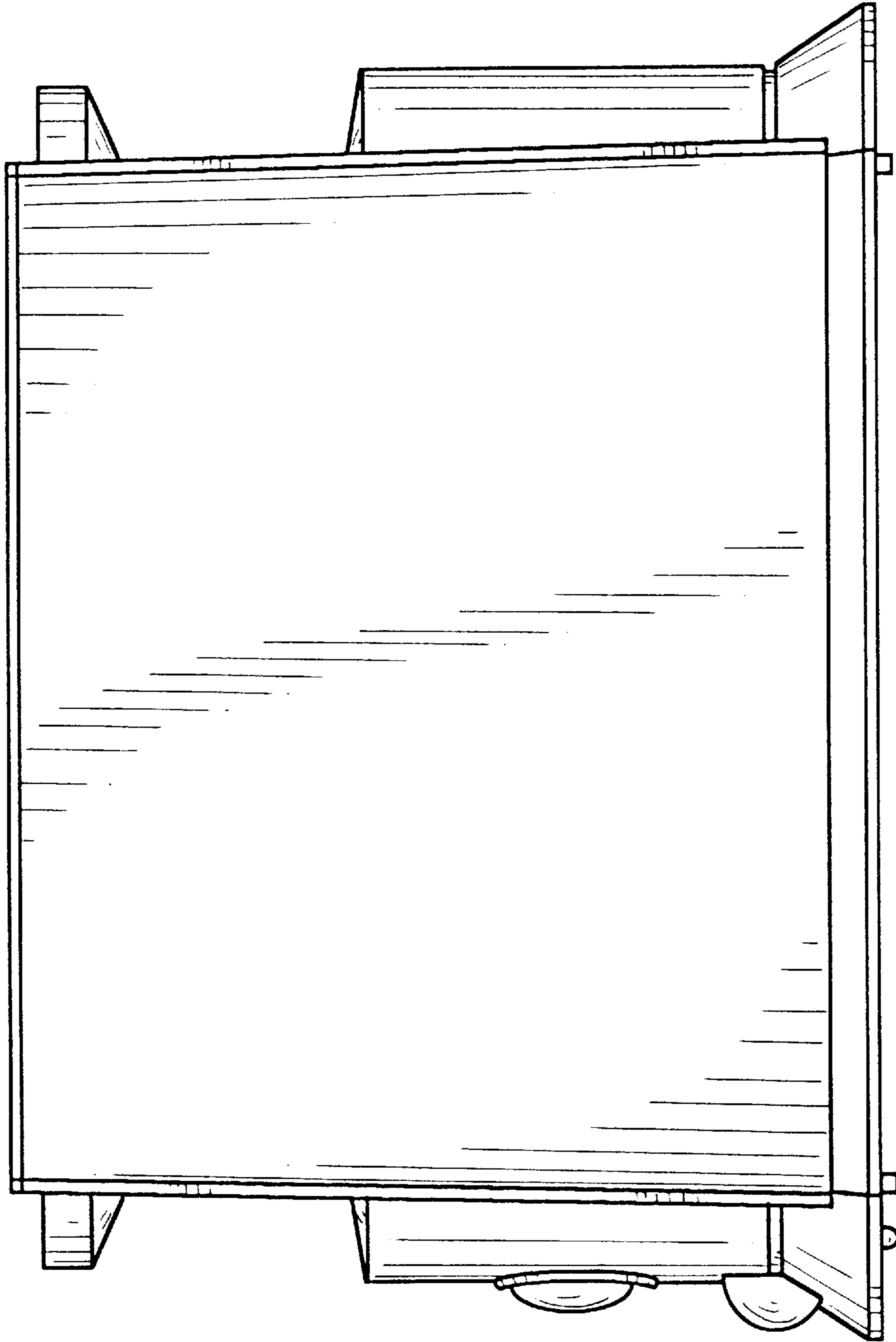


FIG. 3

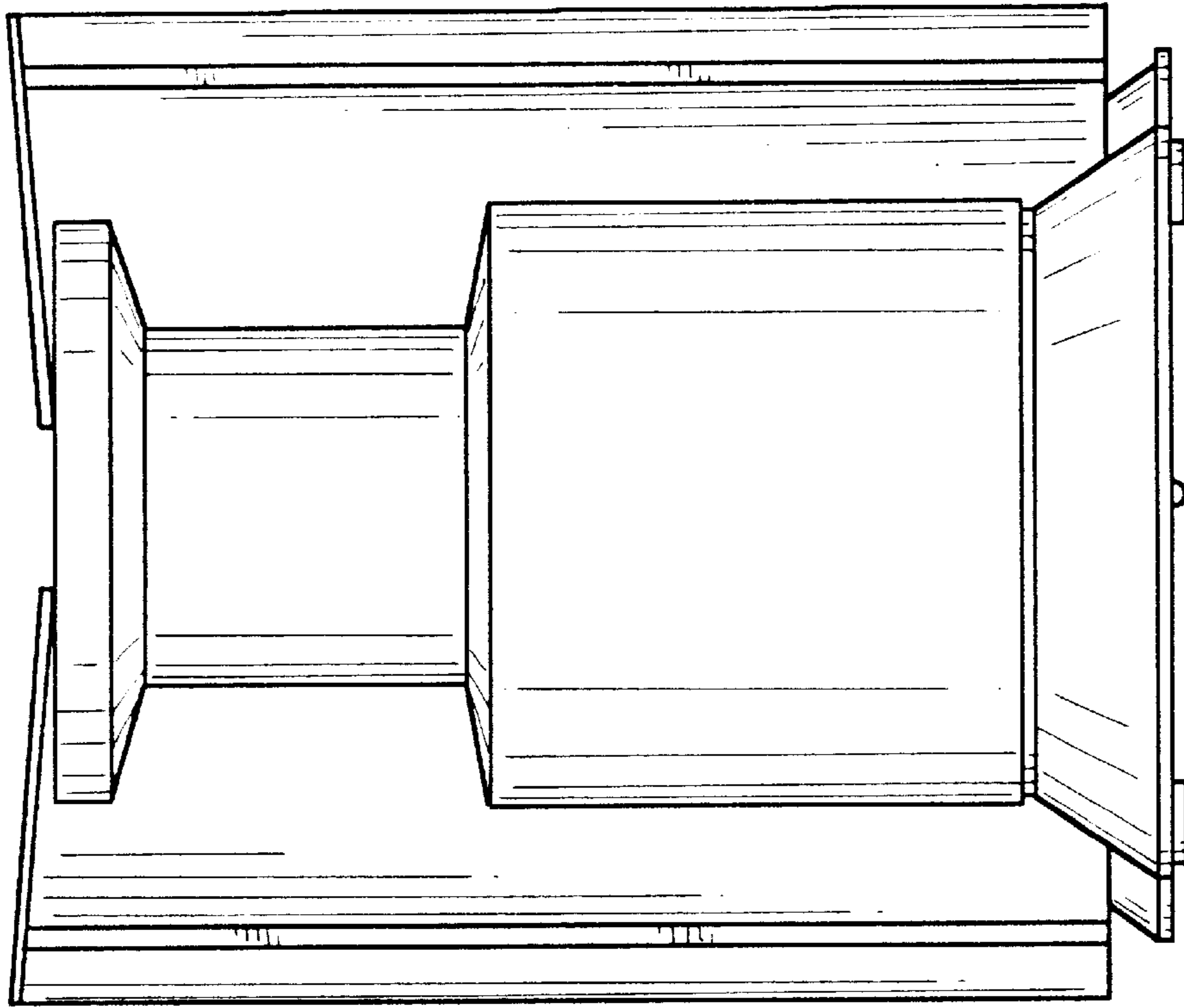


FIG. 5

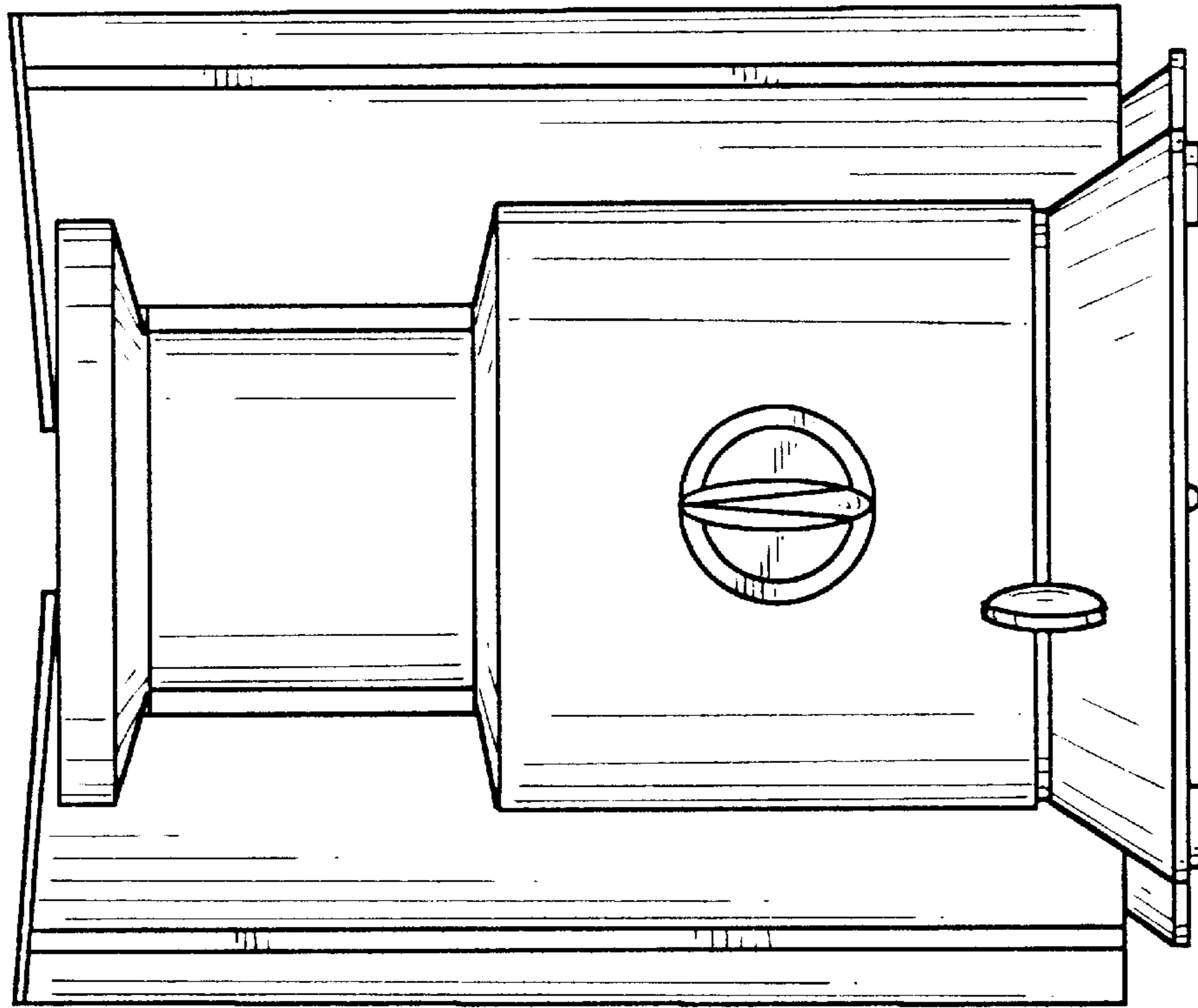


FIG. 4

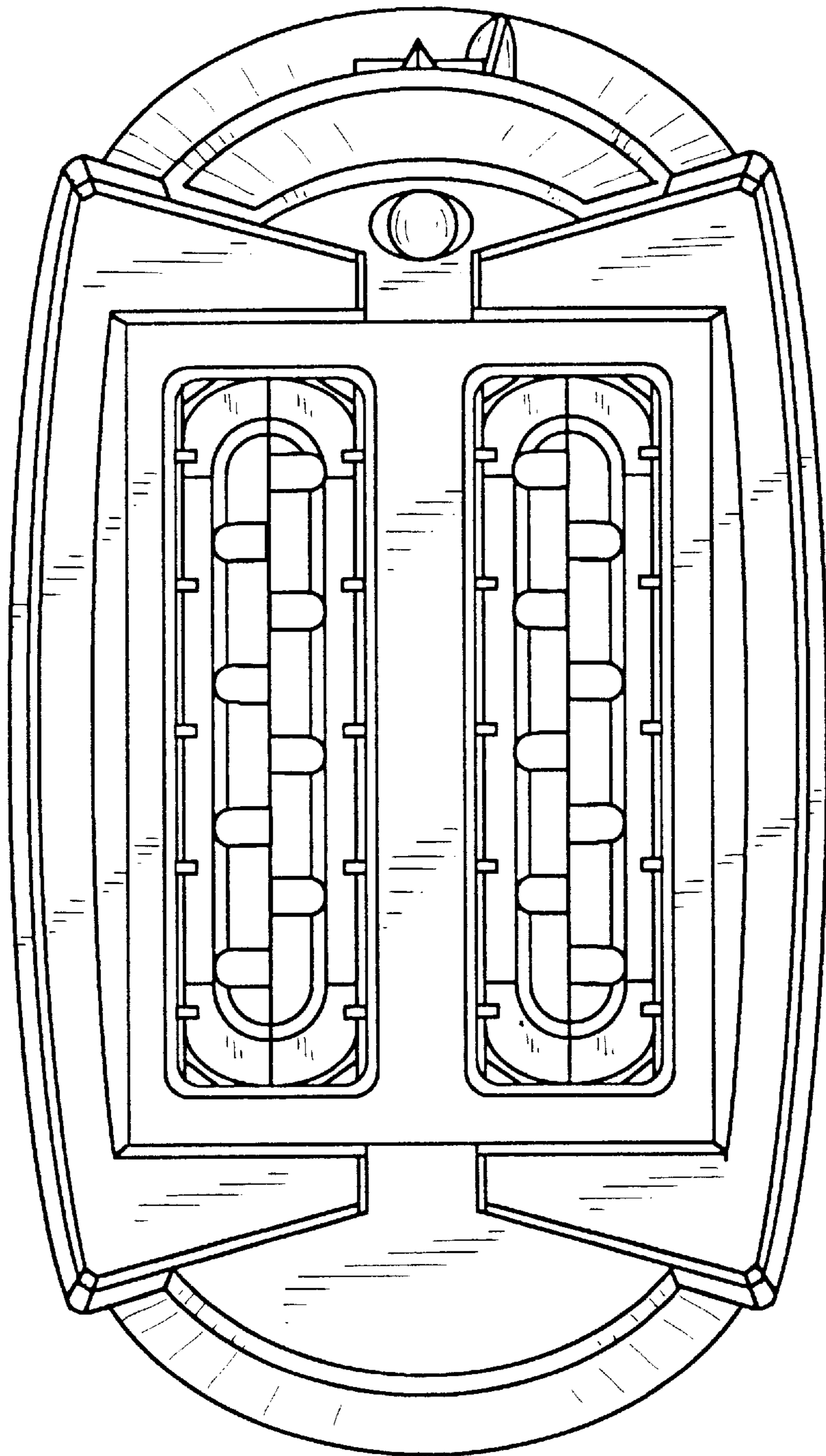


FIG. 6

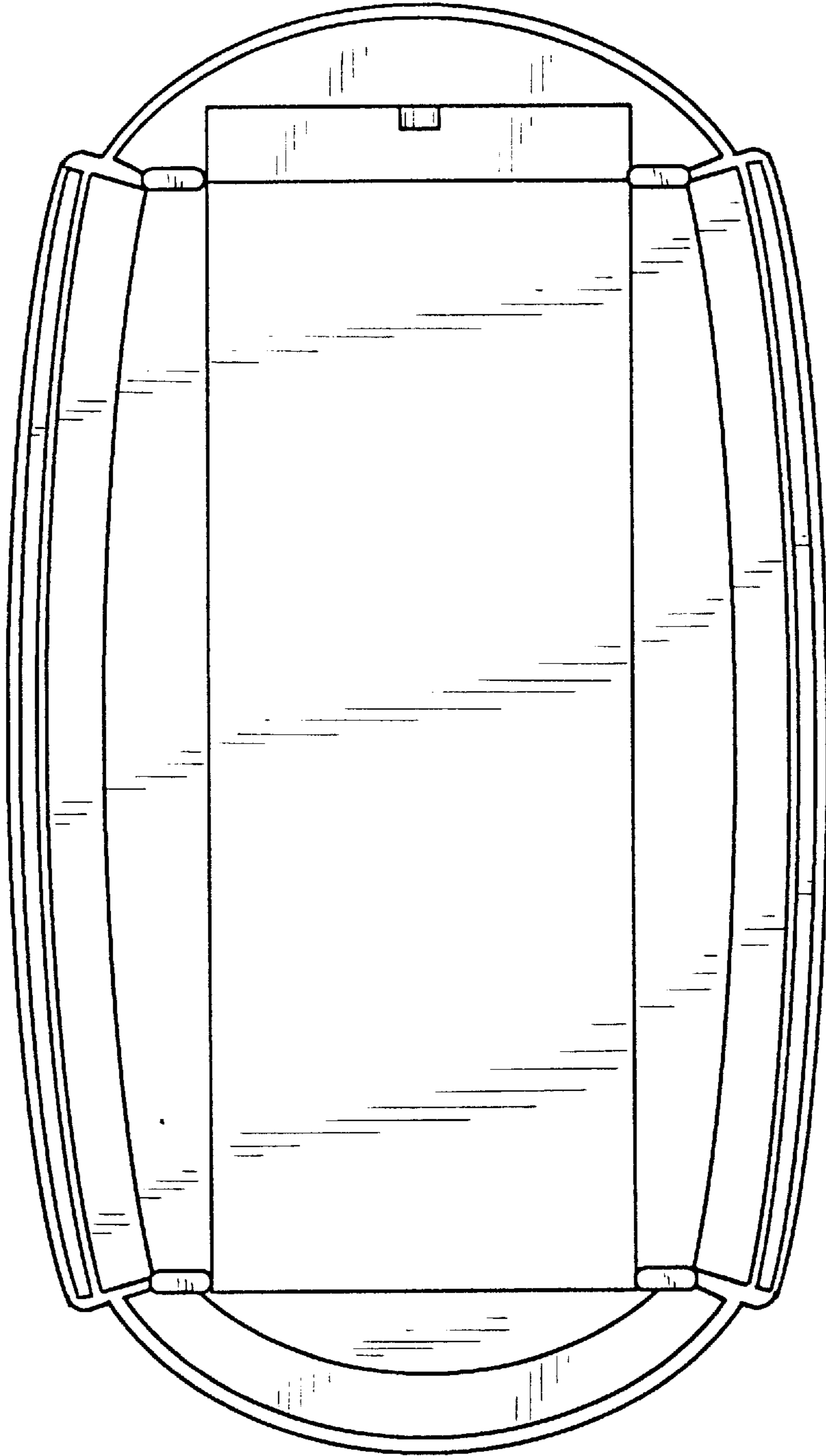


FIG. 7