



US00D404604S

# United States Patent [19]

Pochopiń et al.

[11] Patent Number: **Des. 404,604**

[45] Date of Patent: **\*\*\*Jan. 26, 1999**

[54] **COFFEEMAKER**

4,721,034 1/1988 Shimoura ..... D7/309 X  
4,742,767 5/1988 Komatsu et al. .... D7/309 X

[75] Inventors: **Paweł Pochopiń ; Andrzej Śmiał ek,**  
both of Kraków, Poland

### OTHER PUBLICATIONS

[73] Assignee: **Zelmer,** Rzeszow, Poland

Coffee pot(center/right), Design 461 ,p18, May 1987.  
Coffee pot(bottom/left), Gifts and Decorative Accessories,  
p.160-6 , Dec. 1975.  
Coffee pot,(center/right),Form 105 p.56, Jan. 1984.  
Braun Coffee pot,Retail Home Furnishings,p.37 May 1980.

[ \* ] Notice: The term of this patent shall not extend  
beyond the expiration date of Pat. No. D.  
401,108.

*Primary Examiner*—M. N. Pandozzi  
*Attorney, Agent, or Firm*—Horst M. Kasper

[\*\*] Term: **14 Years**

[21] Appl. No.: **68,729**

### [57] CLAIM

[22] Filed: **Mar. 17, 1997**

The ornamental design for a coffeemaker, as shown and  
described.

[51] **LOC (6) Cl.** ..... **07-01**

[52] **U.S. Cl.** ..... **D7/309; D7/311**

[58] **Field of Search** ..... D7/309, 310, 311,  
D7/300, 305; 99/279, 295

### DESCRIPTION

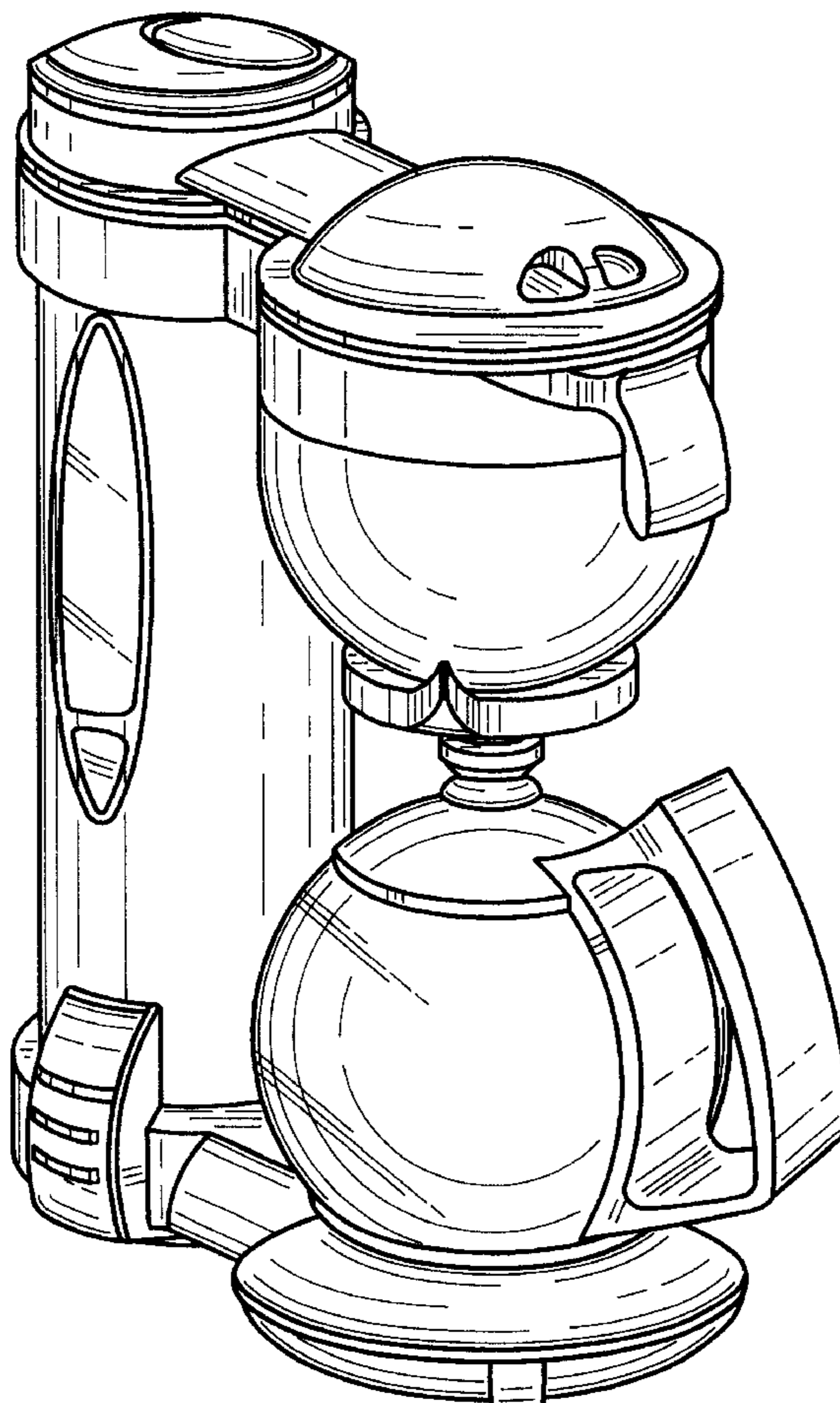
### [56] References Cited

#### U.S. PATENT DOCUMENTS

D. 307,754 5/1990 Osrow et al. .... D7/309 X  
D. 353,296 12/1994 Assmann ..... D7/311 X  
D. 354,878 1/1995 Lin ..... D7/309  
3,592,125 7/1971 Tolmie ..... D7/309 X  
4,683,812 8/1987 Tarlow et al. .... D7/309 X

FIG. 1 is a perspective view of a coffeemaker showing our  
new design;  
FIG. 2 is a top plan view thereof;  
FIG. 3 is a right side elevational view thereof;  
FIG. 4 is a left side elevational view thereof;  
FIG. 5 is a front elevational view thereof;  
FIG. 6 is a rear elevational view thereof; and,  
FIG. 7 is a bottom plan view thereof.

**1 Claim, 6 Drawing Sheets**



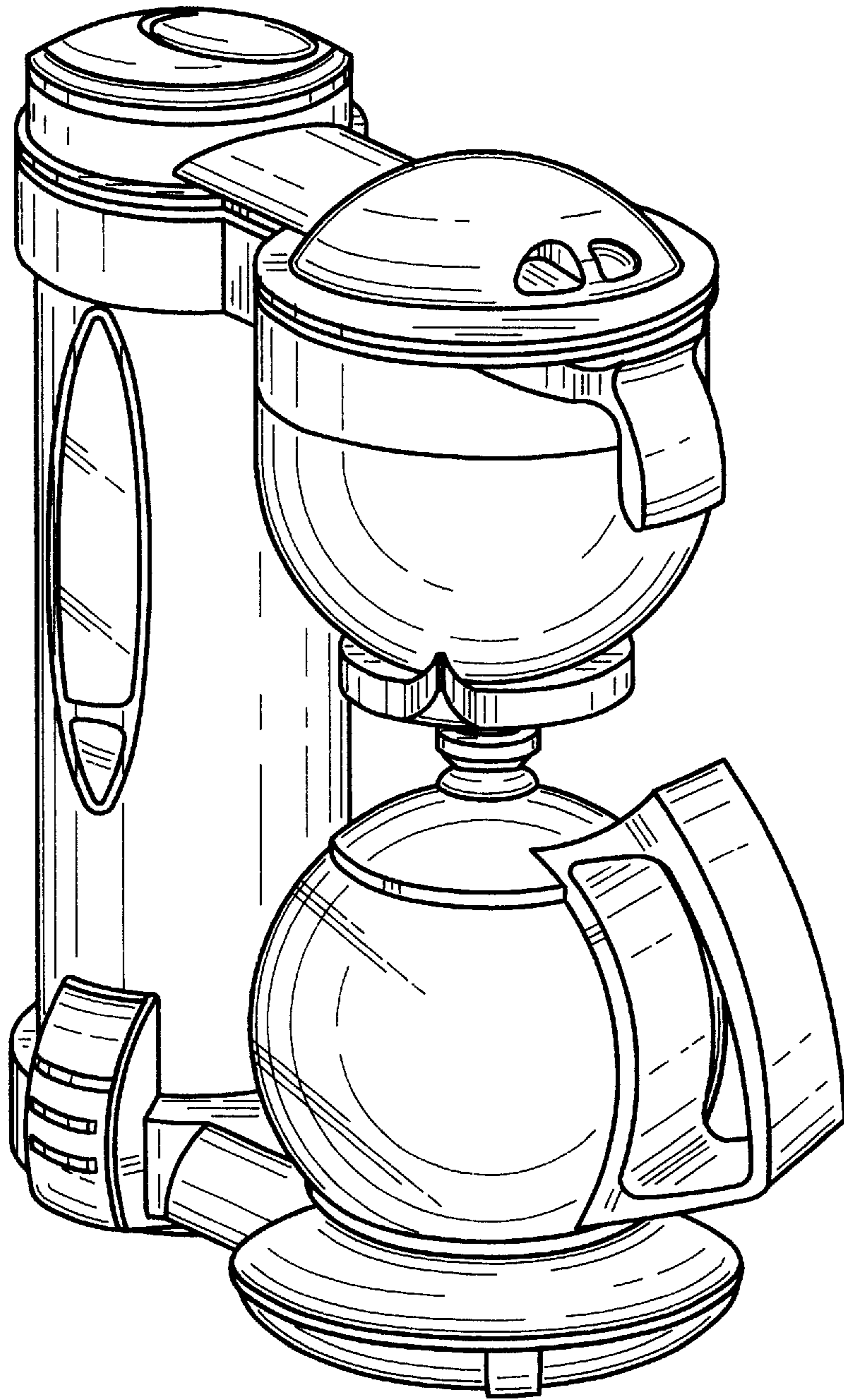


Fig. 1

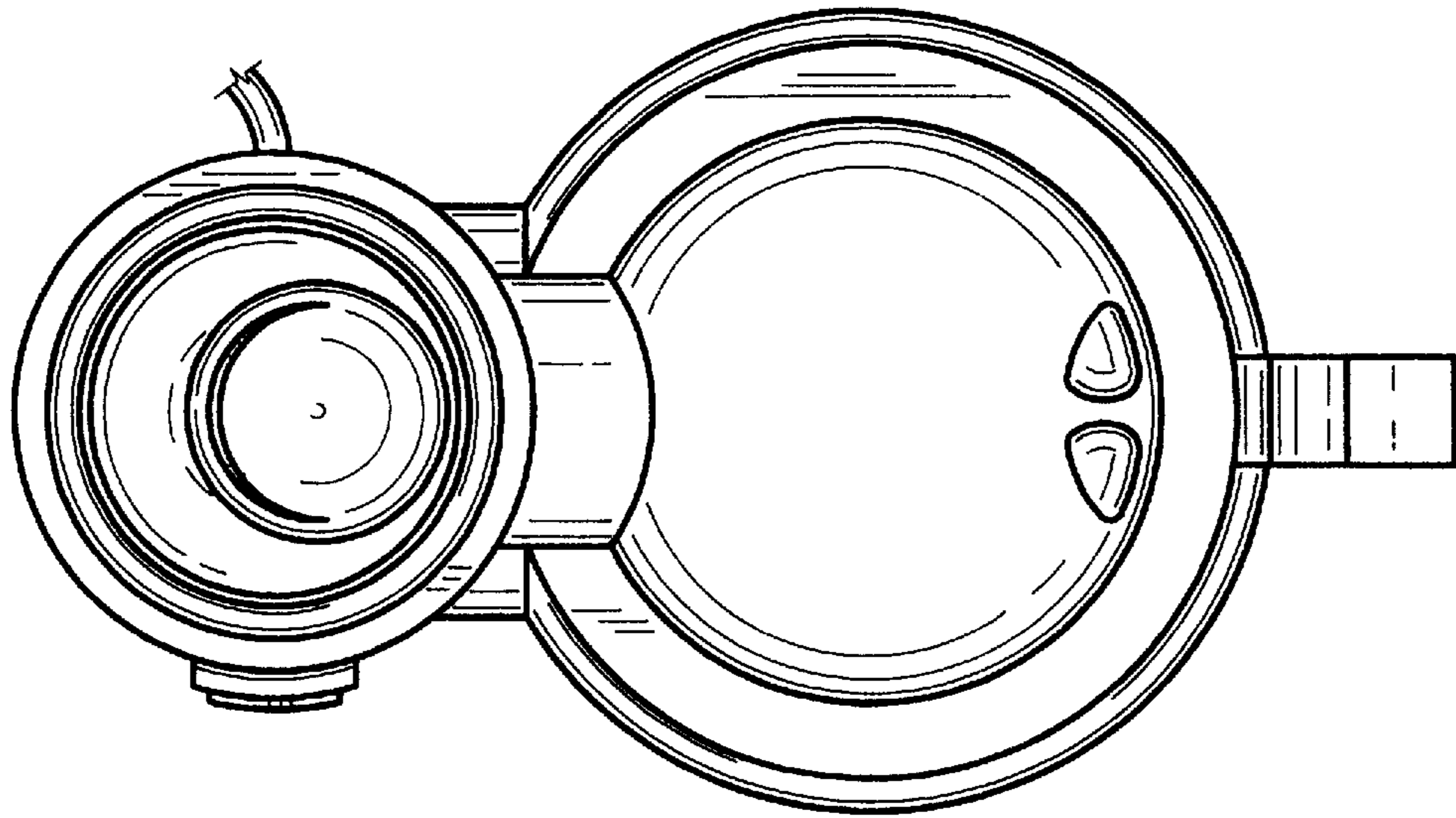


Fig.2

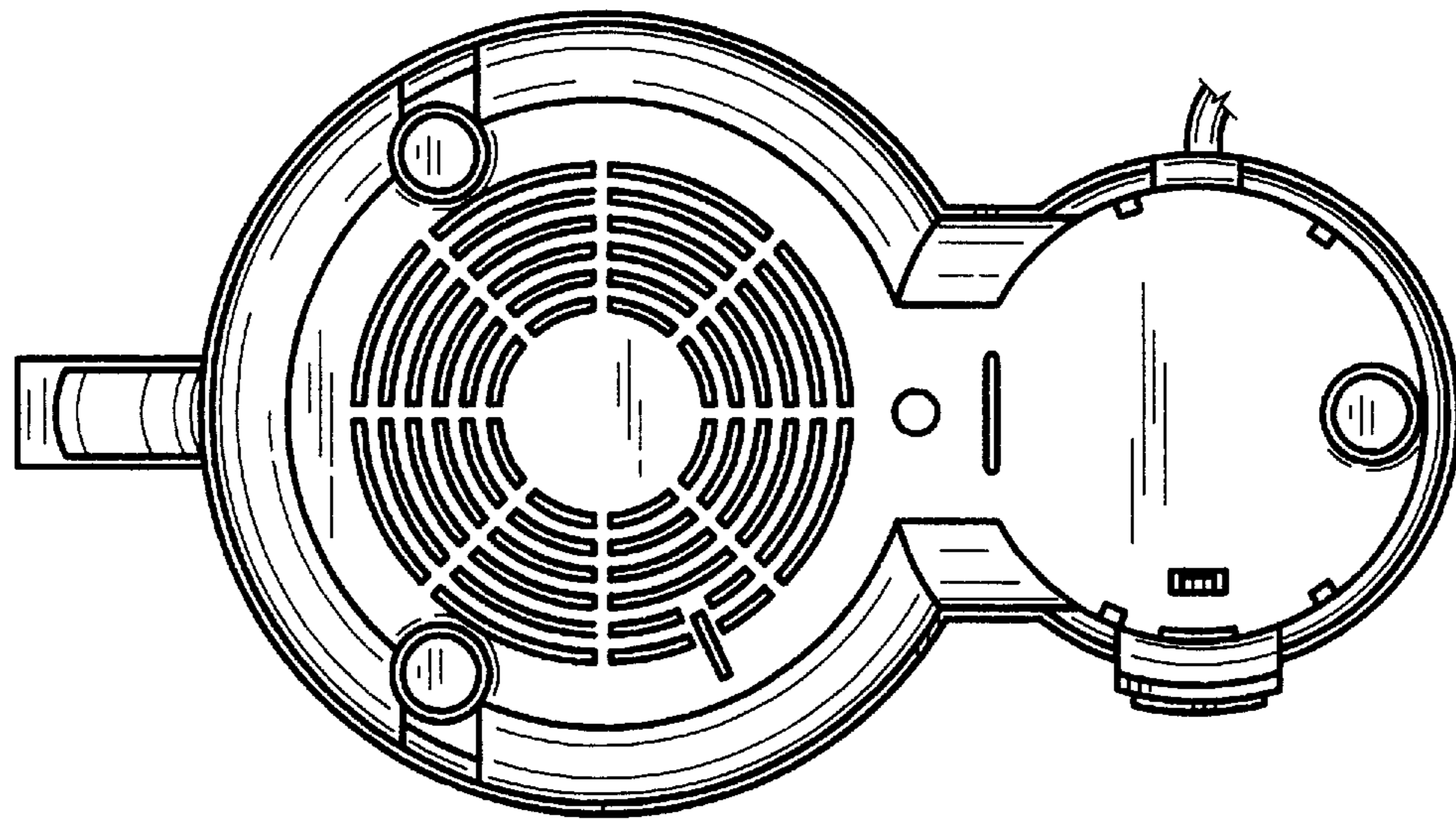


Fig.7



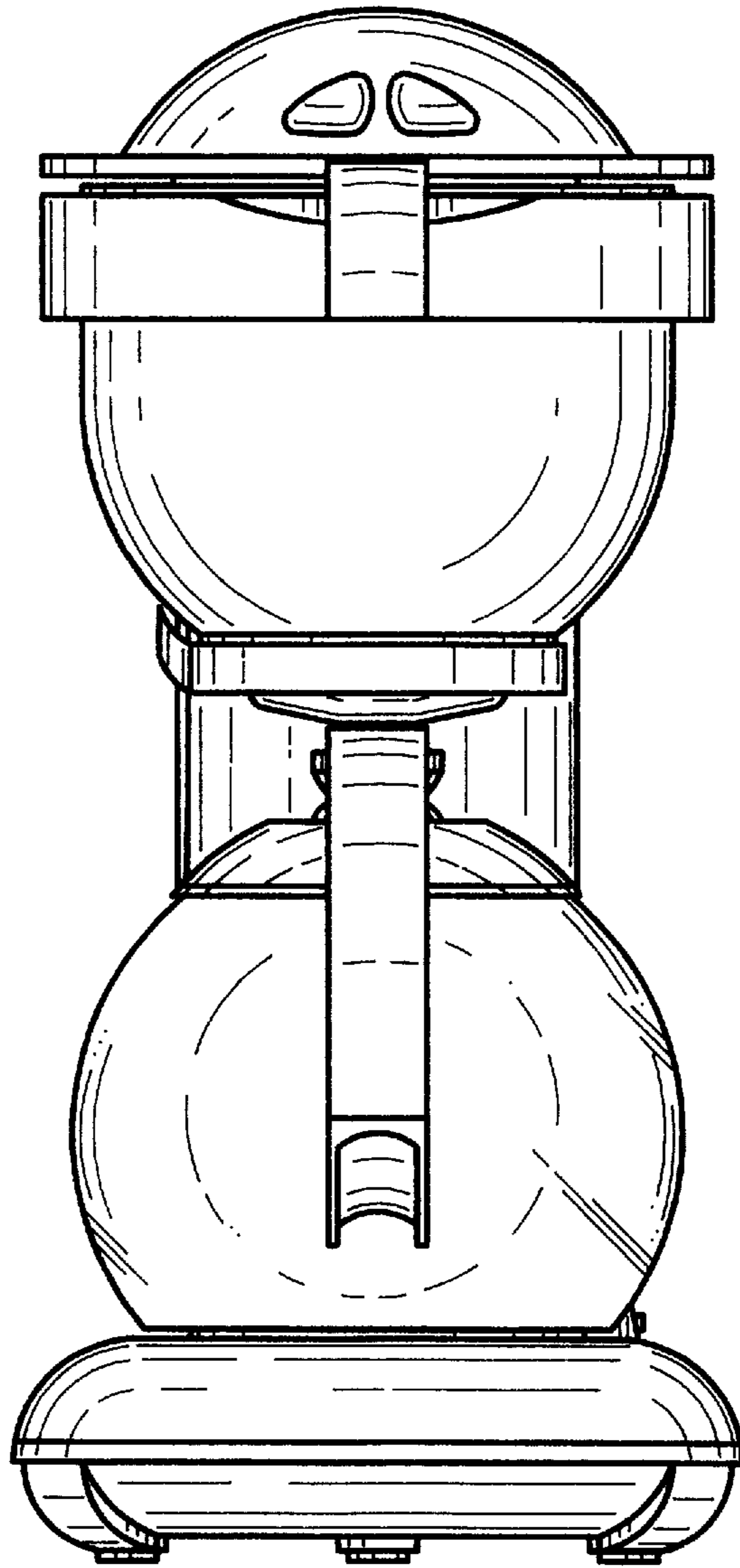


Fig.3

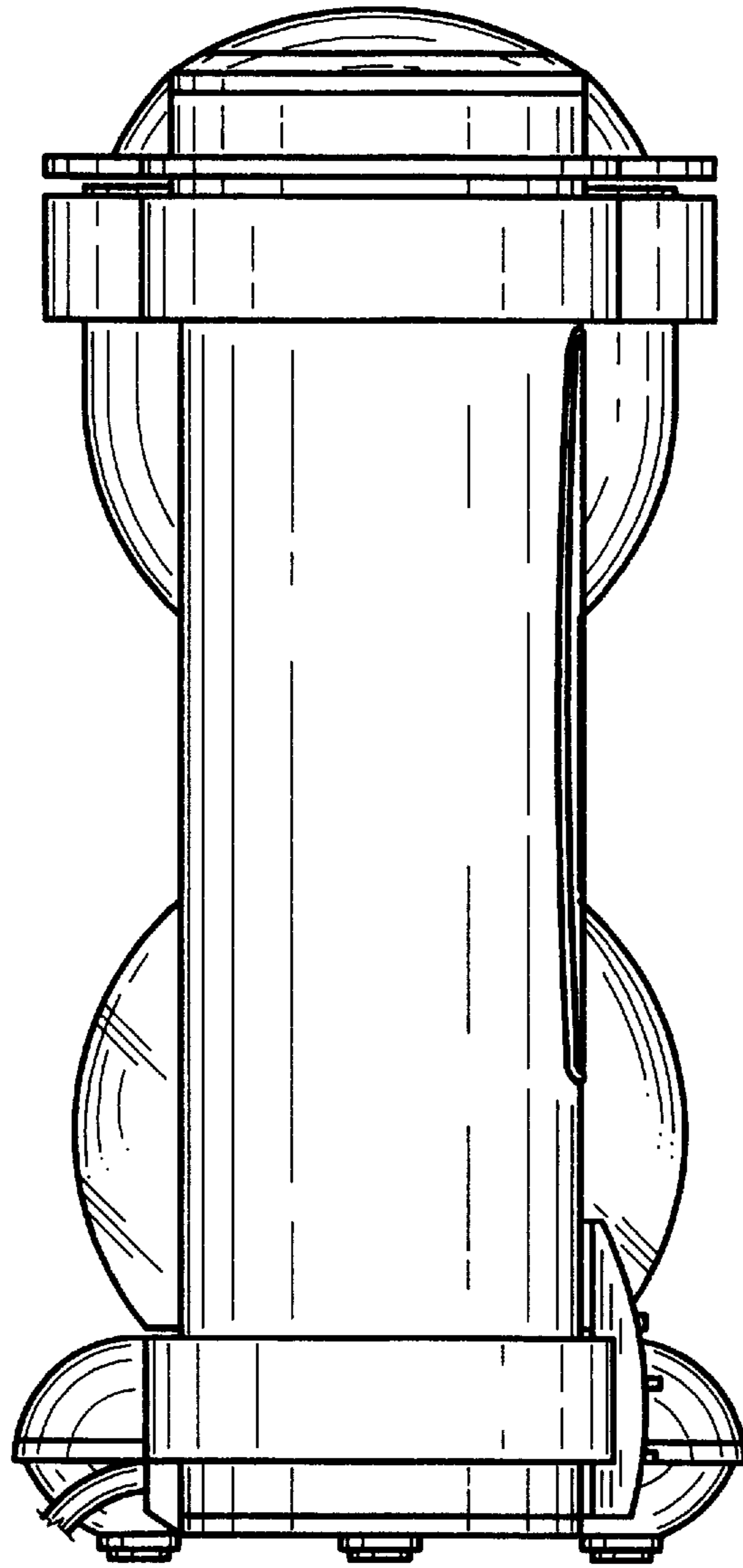


Fig.4

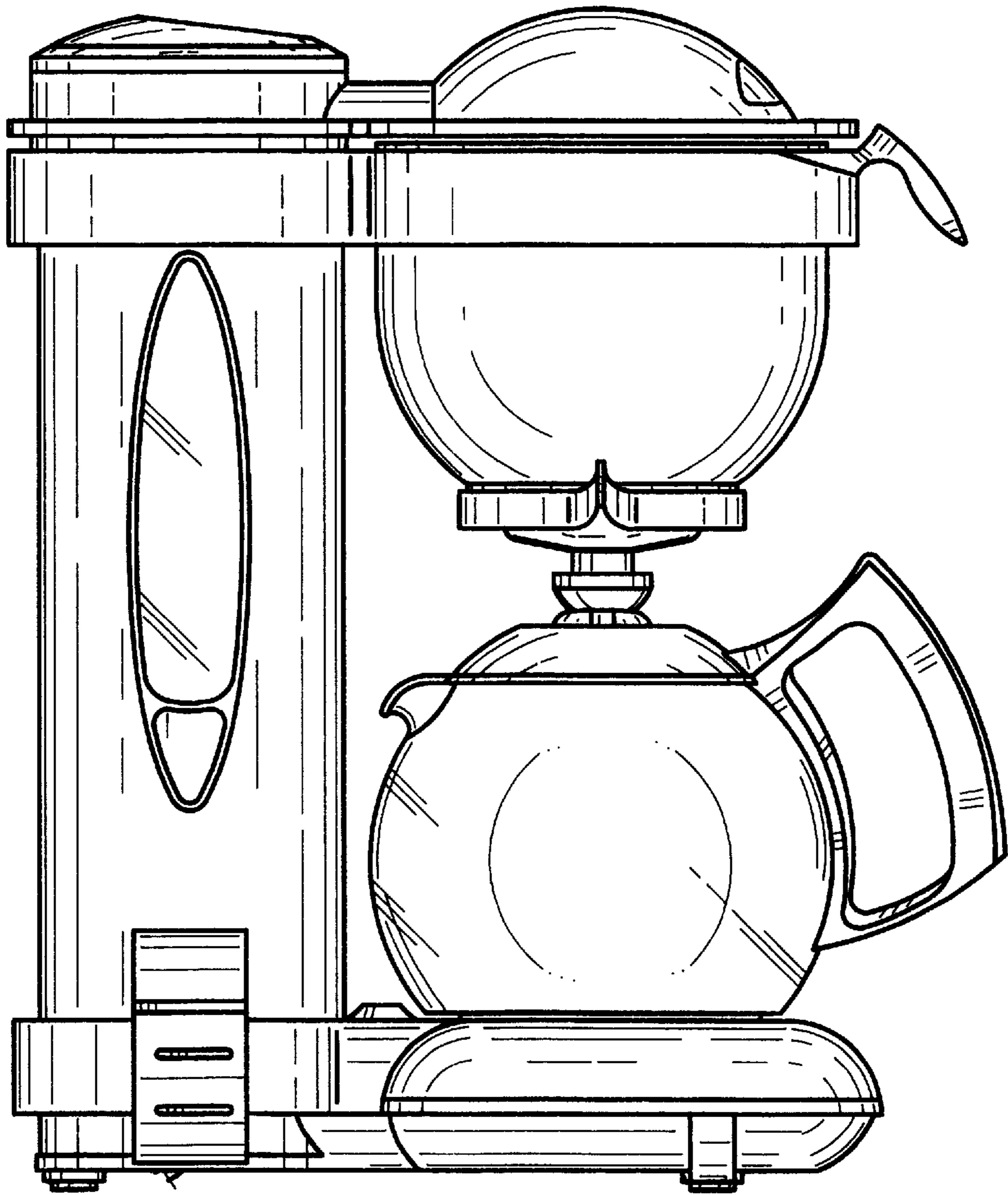


Fig.5

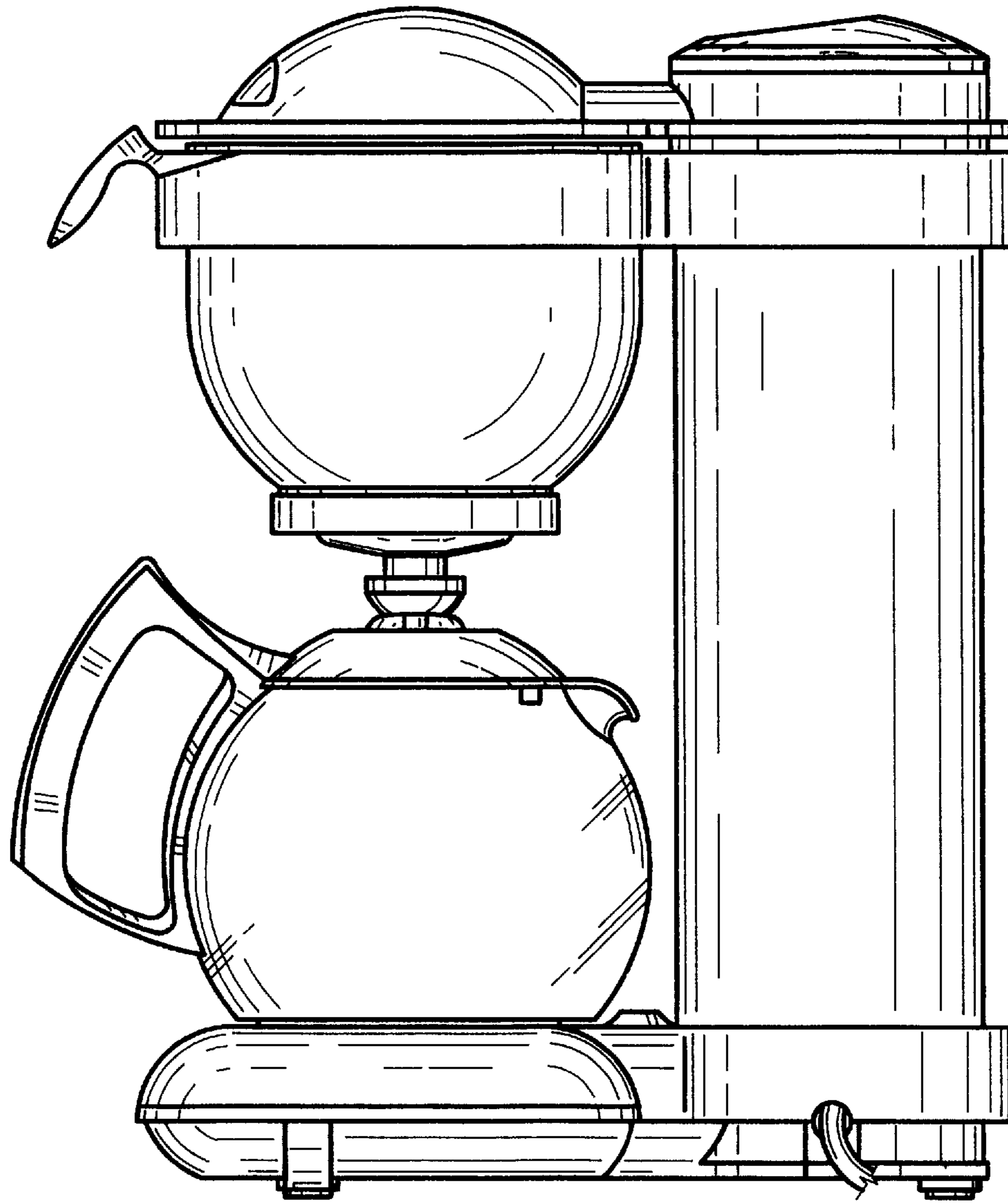


Fig.6