



US00D404603S

United States Patent [19] Smith

[11] Patent Number: Des. 404,603

[45] Date of Patent: **Jan. 26, 1999

[54] RACK FOR CASSETTES

[75] Inventor: Richard Smith, Torrance, Calif.

[73] Assignee: A.L.S. Industries, Inc., Torrance, Calif.

[**] Term: 14 Years

[21] Appl. No.: 85,995

[22] Filed: Apr. 2, 1998

[51] LOC (6) Cl. 06-04

[52] U.S. Cl. D6/629; D6/467

[58] Field of Search D6/407, 626-630,
D6/462-468; 312/9.1-9.64; D32/55, 58;
211/40, 41.1, 41.2, 41.3, 41.4, 42, 41.12,
41.18; 206/307.1, 307, 308.1, 445, 387.15,
454, 387.1

D. 364,989	12/1995	Lin .	
3,604,556	9/1971	Schwartz .	
3,613,871	10/1971	Evans .	
3,627,113	12/1971	Di Ioia .	
3,640,379	2/1972	Weingarden .	
3,642,337	2/1972	Manheim .	
3,677,396	7/1972	Staar .	
3,743,081	7/1973	Roberg et al. .	
3,743,374	7/1973	Glass .	
3,754,639	8/1973	Gellert .	
3,756,383	9/1973	Kryter .	
3,763,994	10/1973	Somers .	
3,777,881	12/1973	Schwartz .	
4,850,477	7/1989	Gelardi et al.	206/387.15 X
5,005,708	4/1991	Posso	211/40
5,558,235	9/1996	Hunt	211/40
5,597,216	1/1997	Real et al.	312/9.54

OTHER PUBLICATIONS

Supreme-Royce Enterprise Co., Ltd. Catalog, p. 21, filed-32 w, 1994.
BMG Music Service, CD flip file at center left, Feb. 1996.
Atlantic, Inc.catalog, item 1250, Oct. 1993.

Primary Examiner—Jeffrey Asch
Attorney, Agent, or Firm—Marshall A. Lerner; Marvin H. Kleinberg; Kleinberg & Lerner, LLP

[56] References Cited

U.S. PATENT DOCUMENTS

D. 252,423	7/1979	Bokor .	
D. 252,424	7/1979	Bokor .	
D. 287,907	1/1987	Yu .	
D. 298,287	11/1988	Stravitz .	
D. 306,935	4/1990	Kirchner et al. .	
D. 307,680	5/1990	Ashkenazi .	
D. 317,079	5/1991	Schmidt et al. .	
D. 318,369	7/1991	Gilman .	
D. 320,514	10/1991	Smith	D6/407
D. 321,279	11/1991	Mark .	
D. 321,802	11/1991	Smith	D6/407
D. 327,183	6/1992	Meyer .	
D. 332,187	1/1993	Stravitz .	
D. 332,708	1/1993	Schmidt et al. .	
D. 337,451	7/1993	Mattikow .	
D. 338,572	8/1993	Mattikow .	
D. 338,573	8/1993	Mattikow .	
D. 338,786	8/1993	Mattikow .	
D. 341,268	11/1993	Osborne .	
D. 354,413	1/1995	Sedon et al.	D6/407 X
D. 354,877	1/1995	Davis et al. .	
D. 356,921	4/1995	Wolff	D6/629
D. 357,843	5/1995	Real et al.	D6/629
D. 358,524	5/1995	Sedon et al. .	
D. 358,526	5/1995	Sedon et al. .	

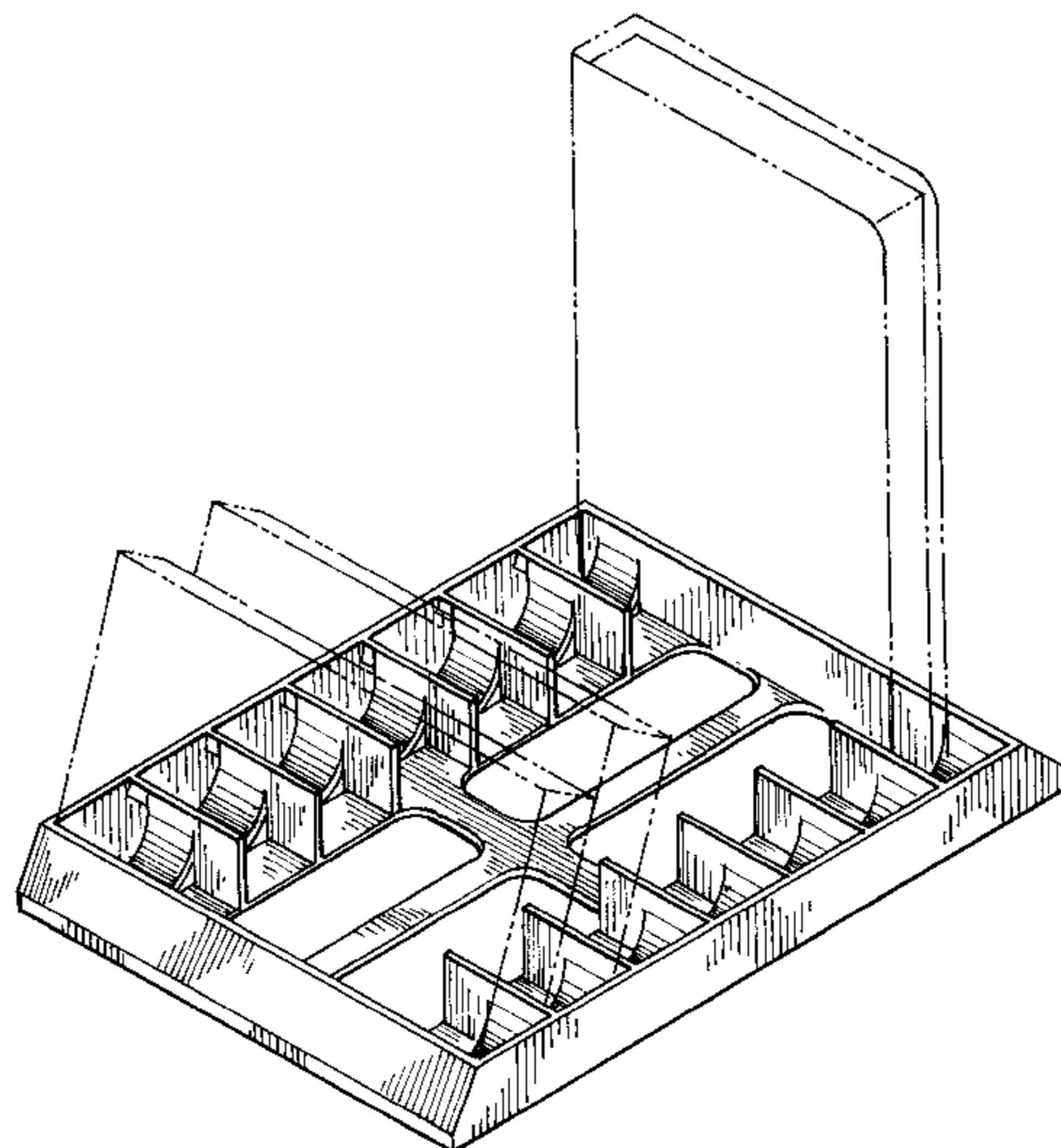
[57] CLAIM

The ornamental design for a rack for cassettes, as shown and described.

DESCRIPTION

FIG. 1 is a perspective view of a rack for cassettes, showing my new design thereof;
FIG. 2 is a left side elevational view, the opposite side being a mirror image thereof;
FIG. 3 is a top plan view thereof;
FIG. 4 is a rear elevational view, the front being a mirror thereof; and,
FIG. 5 is a bottom plan view.
The broken line showings of FIG. 1 are for illustrative purposes only and form no part of the claimed design.

1 Claim, 3 Drawing Sheets



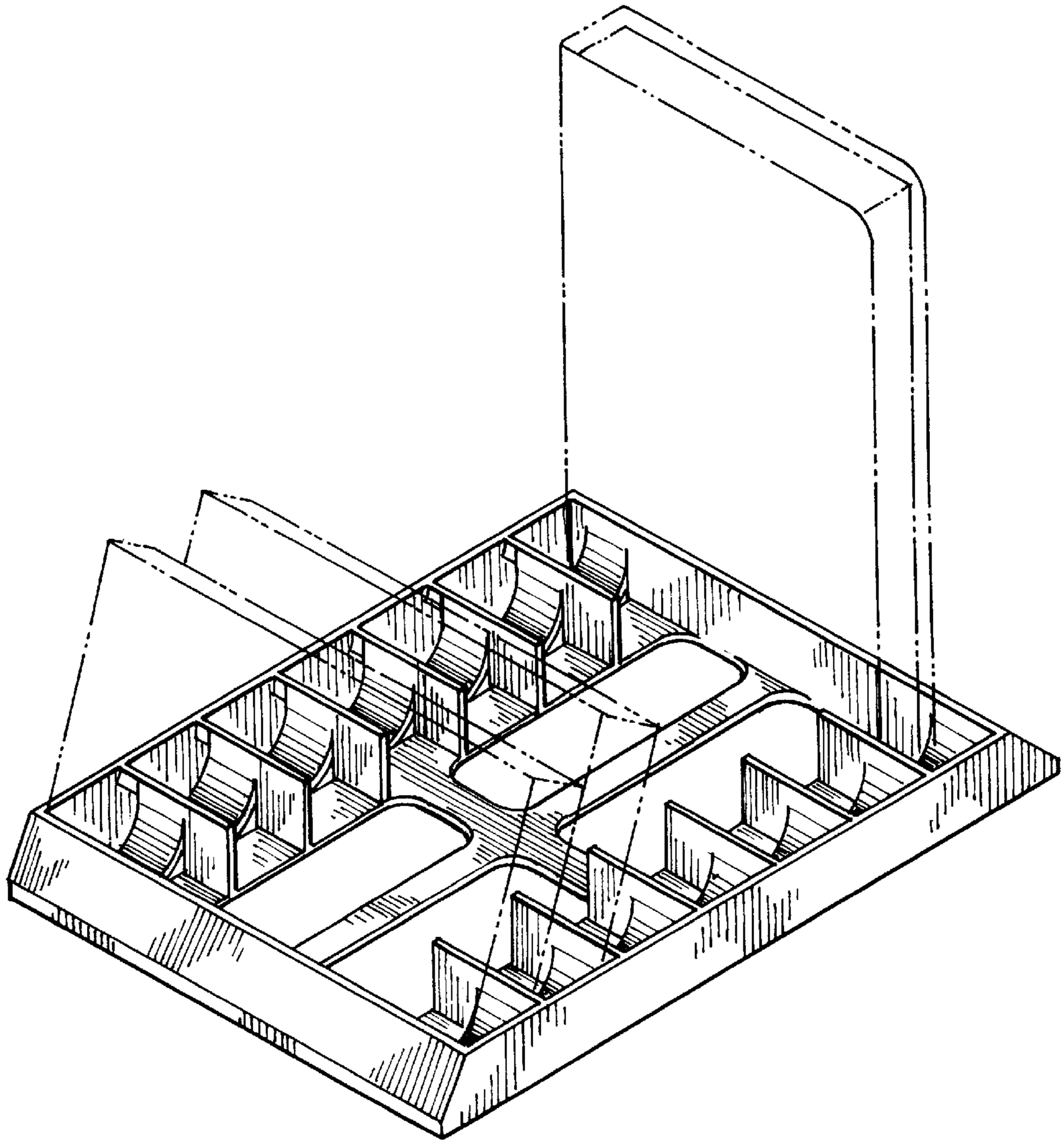


FIG. 1



FIG. 2

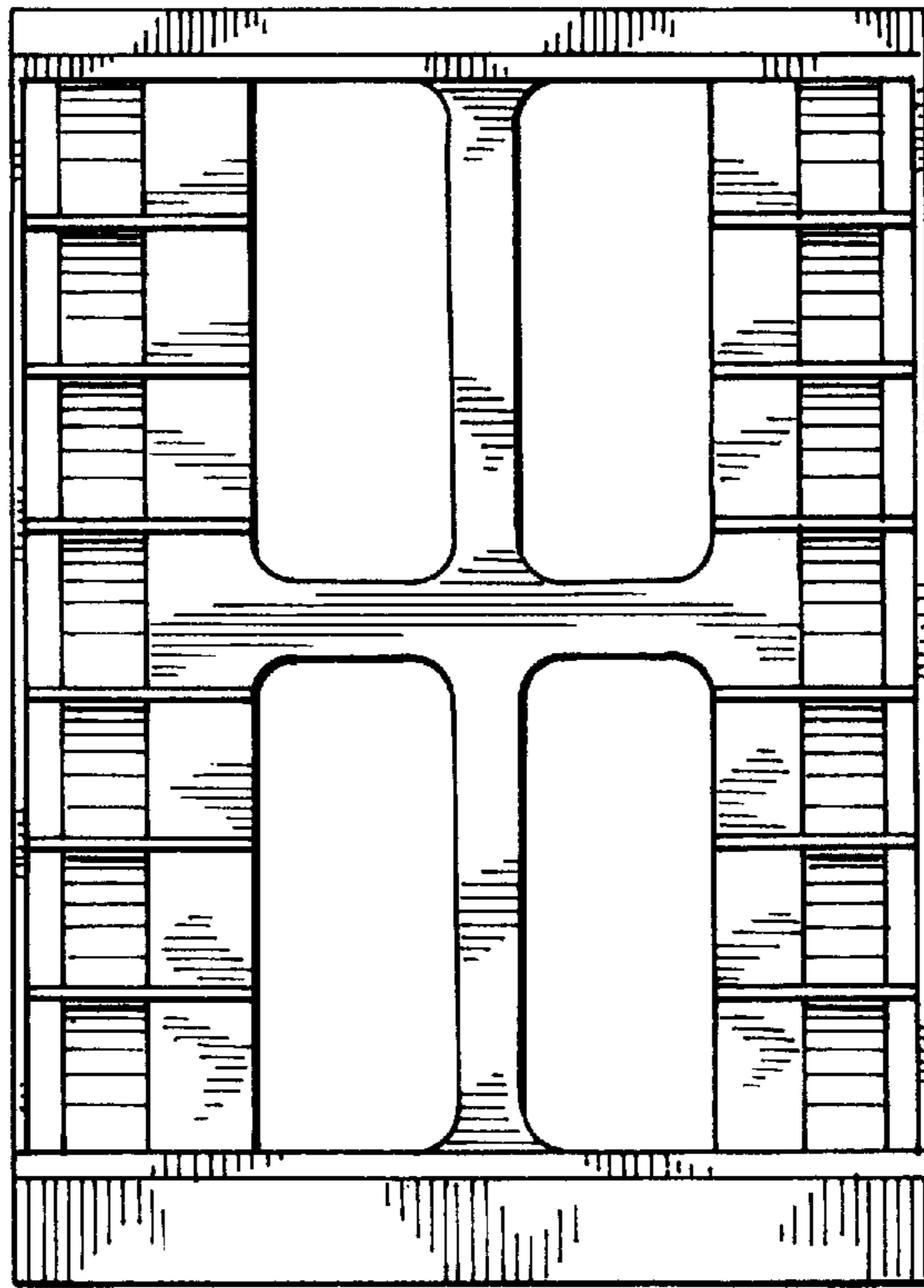


FIG. 3

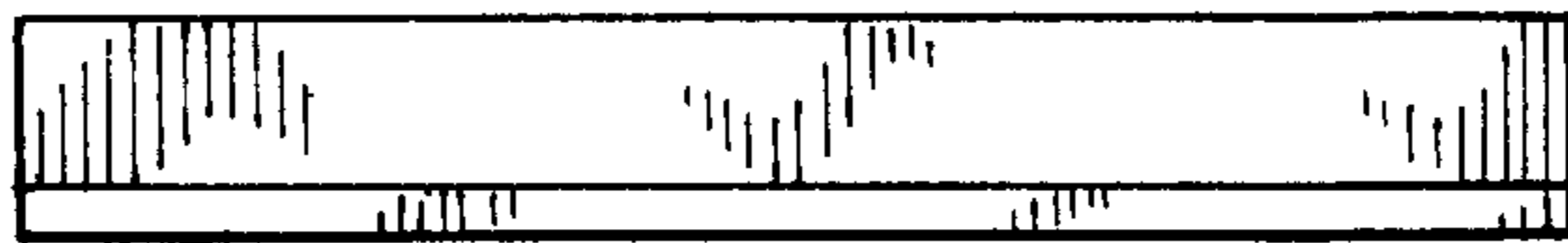


FIG. 4

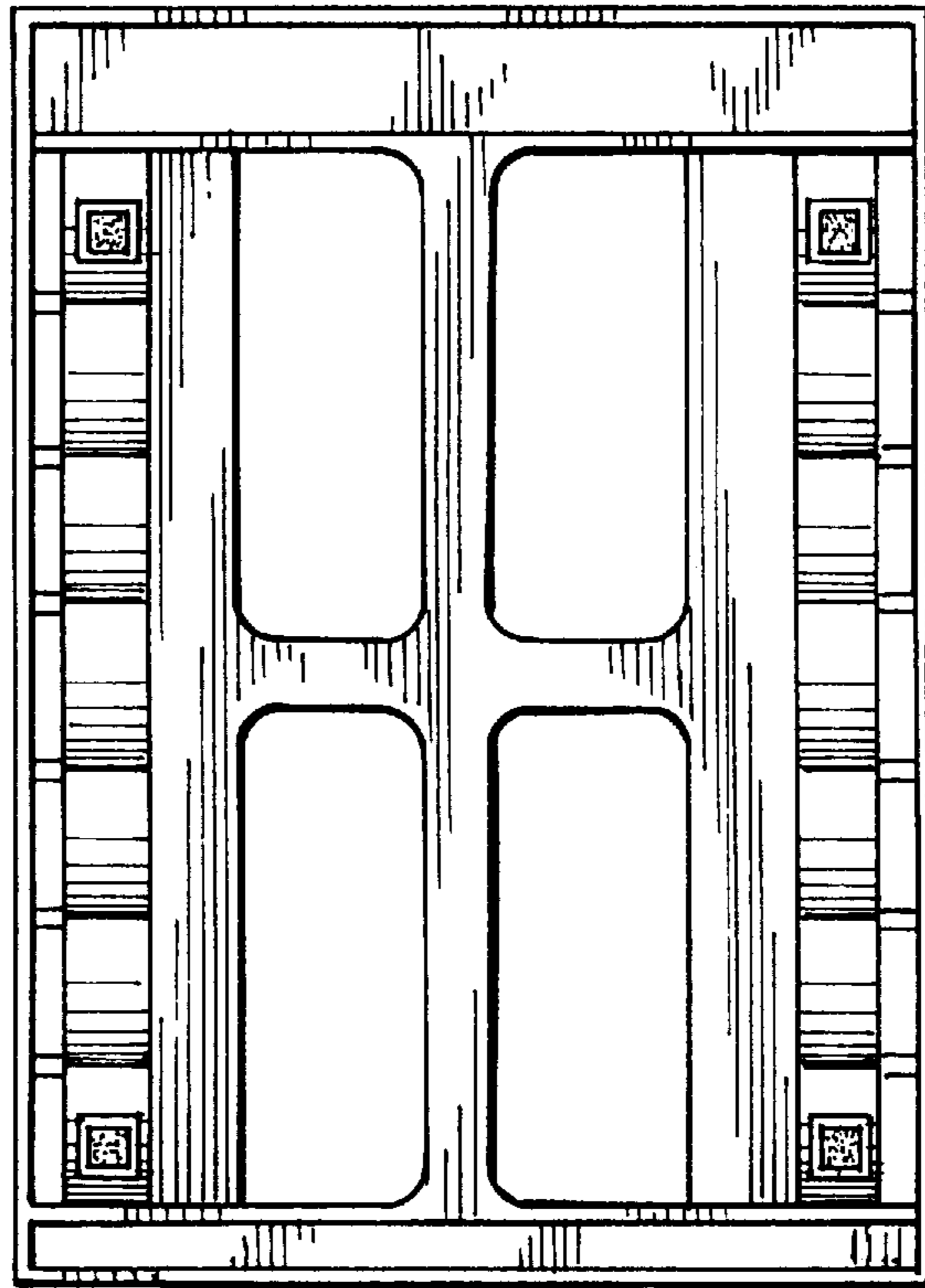


FIG. 5