



US00D404601S

United States Patent [19] Burgess

[11] **Patent Number: Des. 404,601**

[45] **Date of Patent: **Jan. 26, 1999**

[54] **SURE-FIT GUN RACK**

[76] **Inventor: Robert P. Burgess, 56 Lancashire St., Providence, R.I. 02908**

[**] **Term: 14 Years**

[21] **Appl. No.: 23,102**

[22] **Filed: May 18, 1994**

Related U.S. Application Data

[63] Continuation of Ser. No. 6,736, Apr. 5, 1993, abandoned.

[51] **LOC (6) Cl. 08-08**

[52] **U.S. Cl. D6/552**

[58] **Field of Search D6/552, 553, 567, D6/569, 570; 224/273, 275, 311, 314, 318, 326; 211/2, 17, 64, 70.1; 248/205.2**

[56] References Cited

U.S. PATENT DOCUMENTS

D. 317,384	6/1991	Powell	D6/515
D. 322,905	1/1992	Decker	D6/515
D. 356,706	3/1995	Williams et al.	D6/515

3,857,491	12/1974	Townsend et al. .
3,931,893	1/1976	Elkins et al. .
4,108,313	8/1978	Bogar, Jr. .
4,450,989	5/1984	Bogar, Jr. .
4,991,723	2/1991	Elkins .

OTHER PUBLICATIONS

Brochure distributed by American Inventors Corporation approximately during Jun. 1994.

Primary Examiner—Brian N. Vinson

[57] CLAIM

The ornamental design for a sure-fit gun rack, as shown and described.

DESCRIPTION

FIG. 1 is a front elevational view of the sure-fit gun rack showing my new design; FIG. 2 is a rear elevational view thereof; FIG. 3 is a left side elevational view thereof; FIG. 4 is a right side elevational view thereof; FIG. 5 is a top plan view thereof; and, FIG. 6 is a bottom plan view thereof.

1 Claim, 3 Drawing Sheets

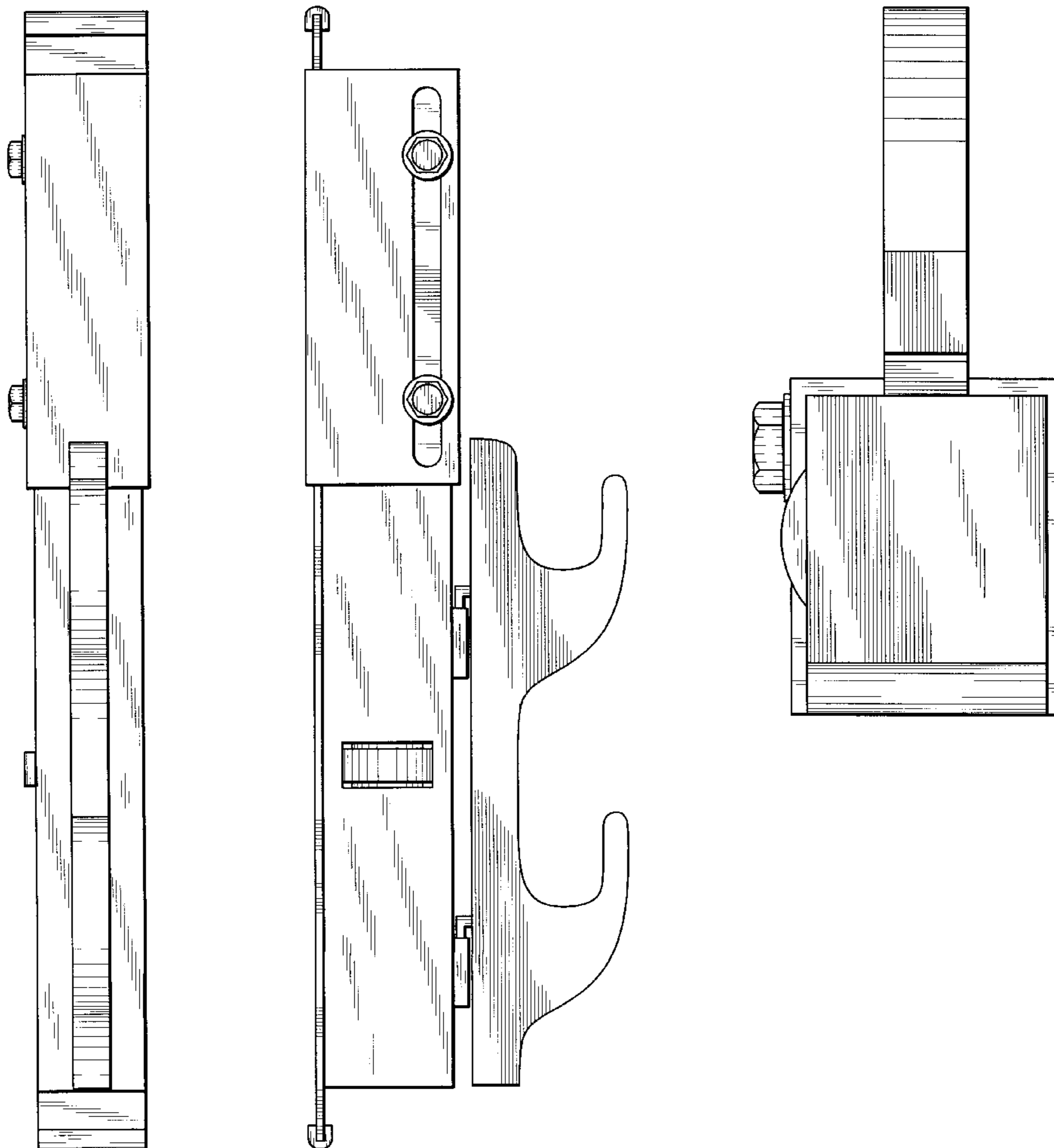


Fig. 1

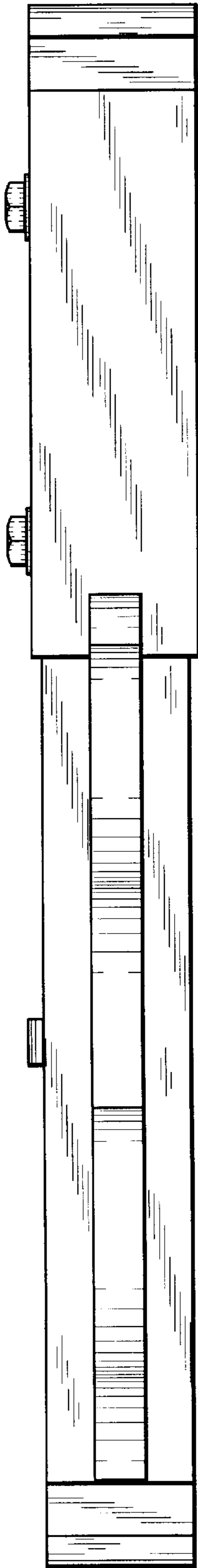


Fig. 2

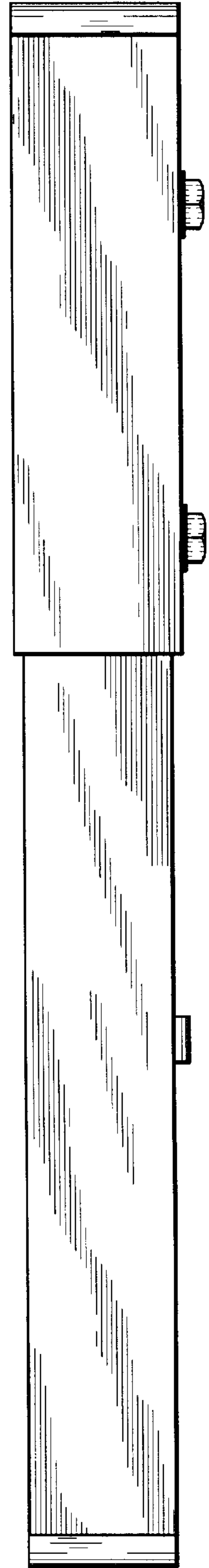


Fig. 3

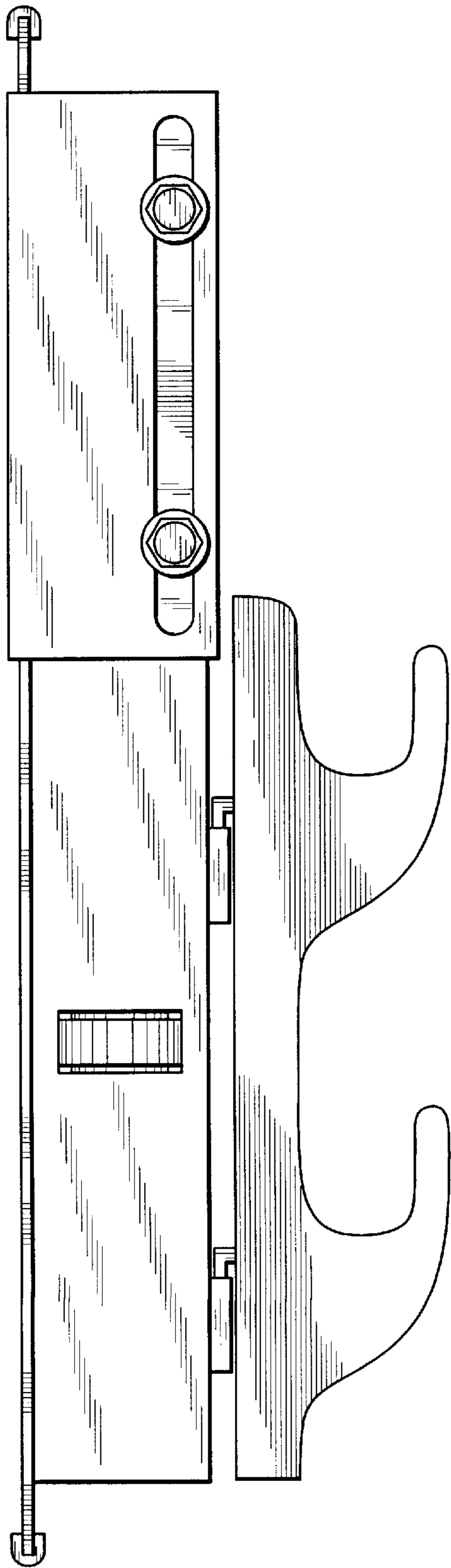


Fig. 4

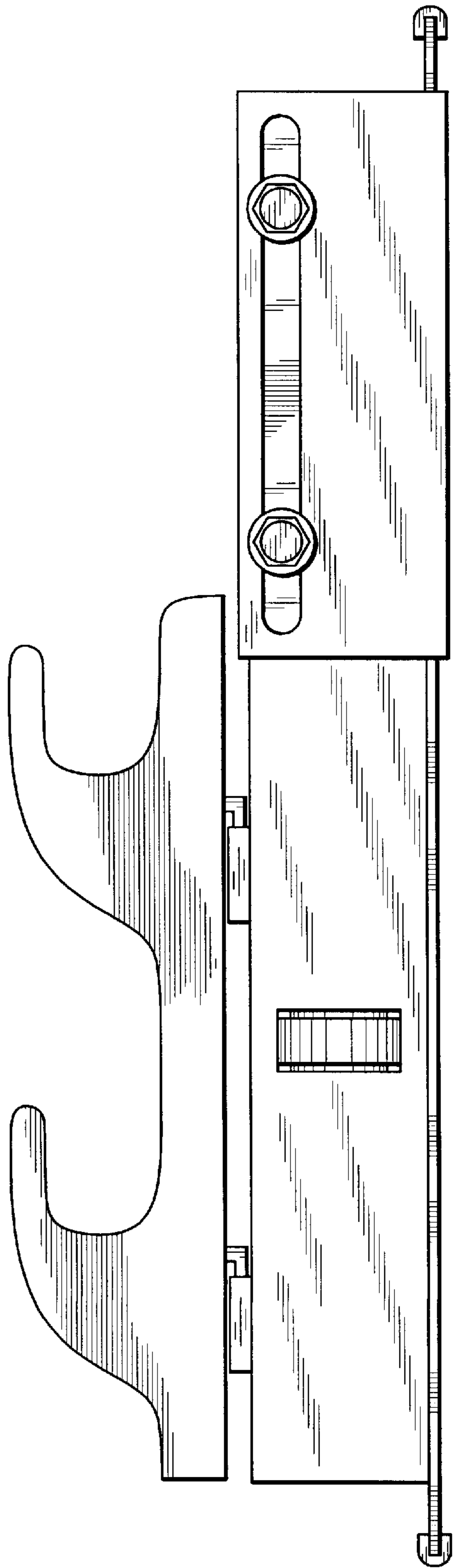


Fig. 5

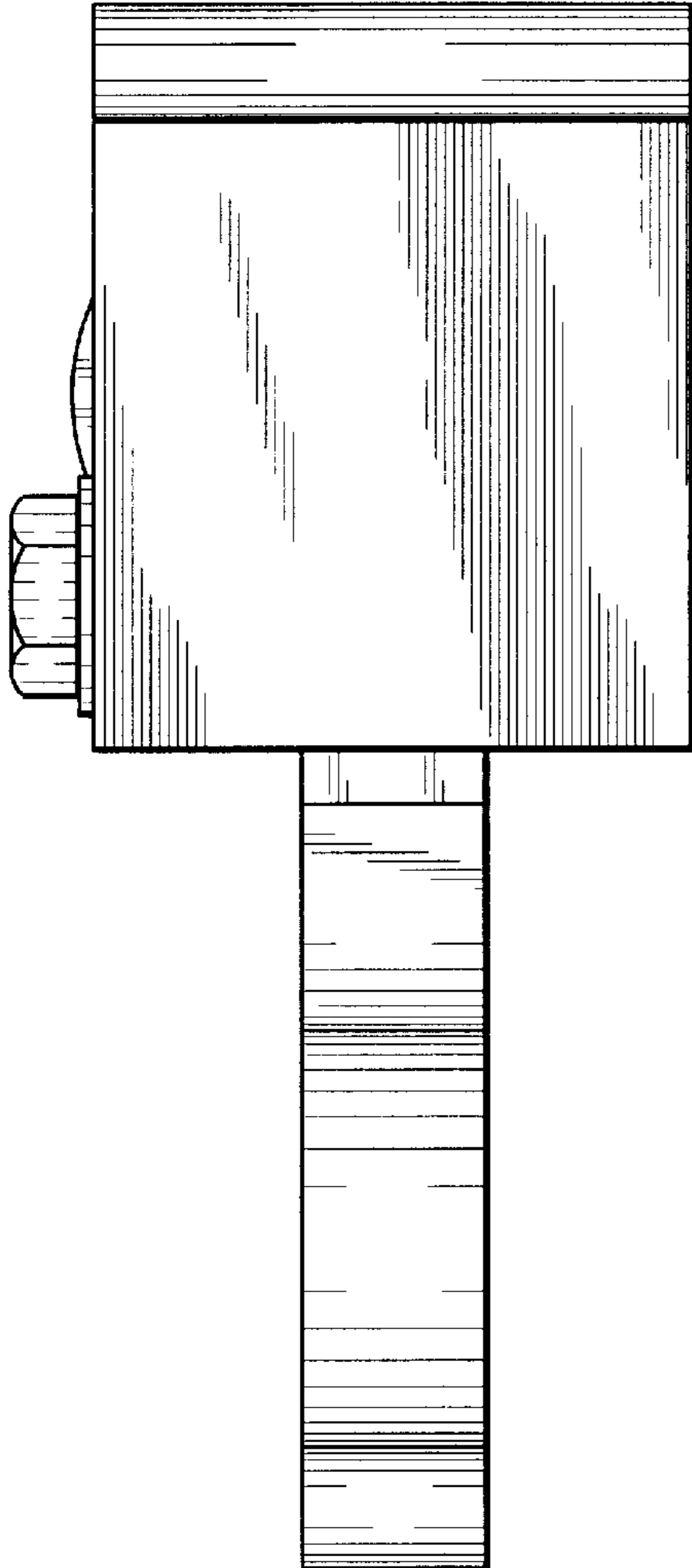


Fig. 6

