



US00D404599S

# United States Patent [19] Douglas

[11] **Patent Number: Des. 404,599**

[45] **Date of Patent: \*\*Jan. 26, 1999**

## [54] **FRAME FOR A STORAGE DRAWER**

[75] **Inventor: Patrick Douglas, Medina, Ohio**

[73] **Assignee: Rubbermaid Incorporated, Wooster, Ohio**

[\*\*] **Term: 14 Years**

[21] **Appl. No.: 62,423**

[22] **Filed: Nov. 14, 1996**

[51] **LOC (6) Cl. .... 06-04**

[52] **U.S. Cl. .... D6/509**

[58] **Field of Search** ..... D6/509, 510, 432, D6/475-479, 462, 465, 445, 446, 448; D3/297; 312/204, 251.1, 265.1, 308, 330.1, 348.1, 257.1; 211/126.1, 194, 153; 248/159, 150, 165; D19/75, 90, 92

## [56] **References Cited**

### U.S. PATENT DOCUMENTS

D. 232,506	8/1974	Mazza	.....	D6/479	X
D. 300,488	4/1989	Yoshikawa	.....	D6/465	
D. 301,076	5/1989	Yoshikawa	.....	D34/21	
D. 325,222	4/1992	Brussing	.....	D19/92	
D. 326,200	5/1992	Allen et al.	.....	D6/479	
D. 330,813	11/1992	Spitzer et al.	.....	D6/432	
D. 358,727	5/1995	Dickinson et al.	.....	D6/470	
D. 370,572	6/1996	Lin	.....	D6/446	
2,733,112	1/1956	Dunham	.....	312/111	
3,514,170	5/1970	Shewchuk	.....	312/107	
3,974,898	8/1976	Tullis	.....	190/3	

## OTHER PUBLICATIONS

P. 3, Storage drawers; Sterilite Corporation, P. O. Box 524, Main Street, Townsend, Massachusetts. Published at least as early as Jul., 1996.

Magazine page, "HFD", Storage drawers. Sterilite Corporation, P. O. Box 524, Main Street, Townsend, Massachusetts. Published at least as early as Jul., 1996.

Catalog page, Storage drawers; Sterilite Corporation, P. O. Box 524, Main Street, Townsend, Massachusetts. Publication date 1990.

Pp. 25, 26 and 29, Storage drawers; "Hold Everything" catalog, address unknown. Published at least as early as Jan., 1993.

*Primary Examiner*—James Gandy

*Assistant Examiner*—Linda Brooks

*Attorney, Agent, or Firm*—Richard B. O'Planick

## [57] **CLAIM**

The ornamental design for a frame for a storage drawer, as shown and described.

## DESCRIPTION

FIG. 1 is a top right front perspective view of a frame for a storage drawer showing my new design;

FIG. 2 is a top plan view thereof;

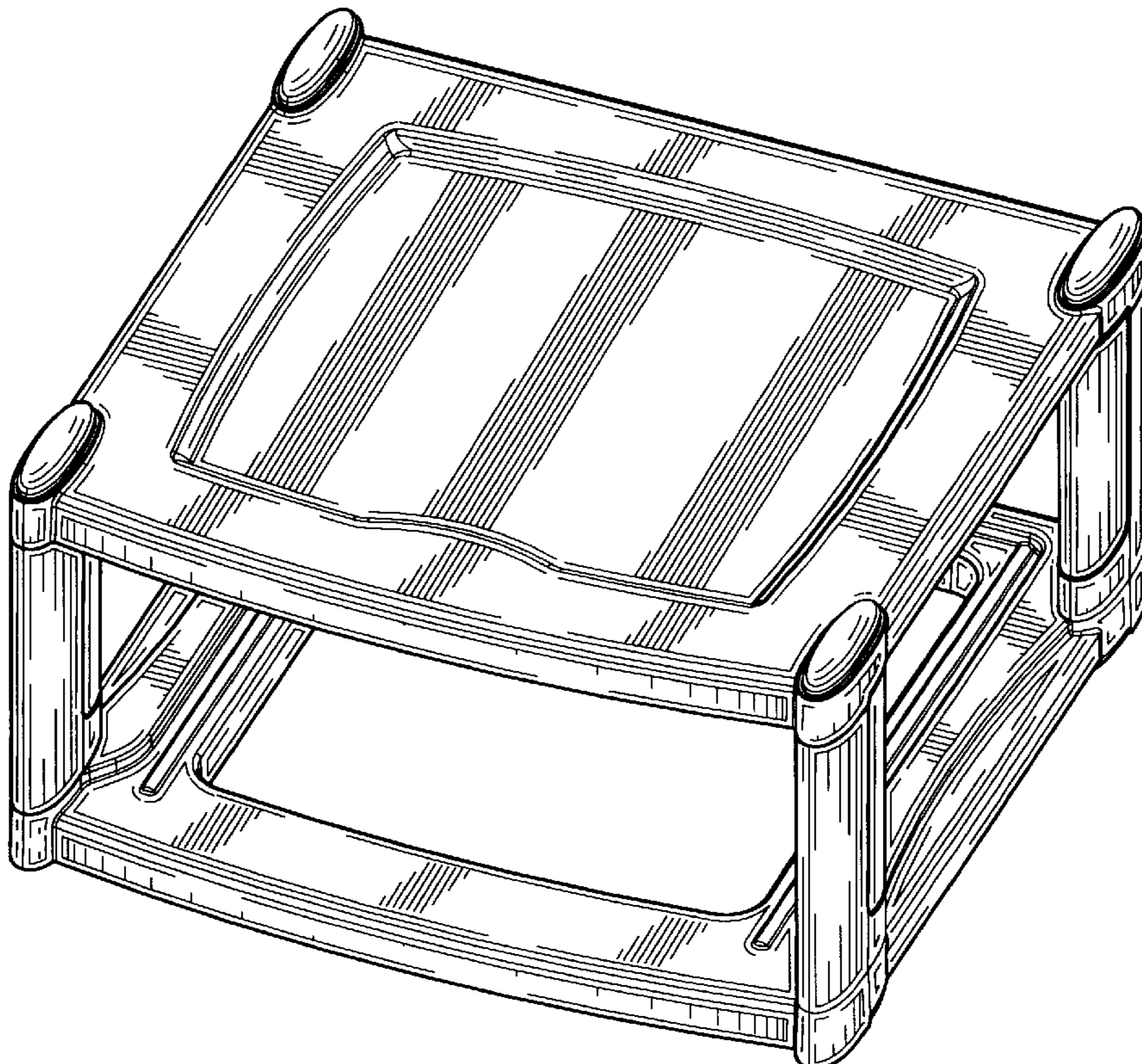
FIG. 3 is a left side elevational view thereof; the right side elevational view being a mirror image;

FIG. 4 is a front elevational view thereof;

FIG. 5 is a rear elevational view thereof; and,

FIG. 6 is a bottom plan view thereof.

**1 Claim, 6 Drawing Sheets**



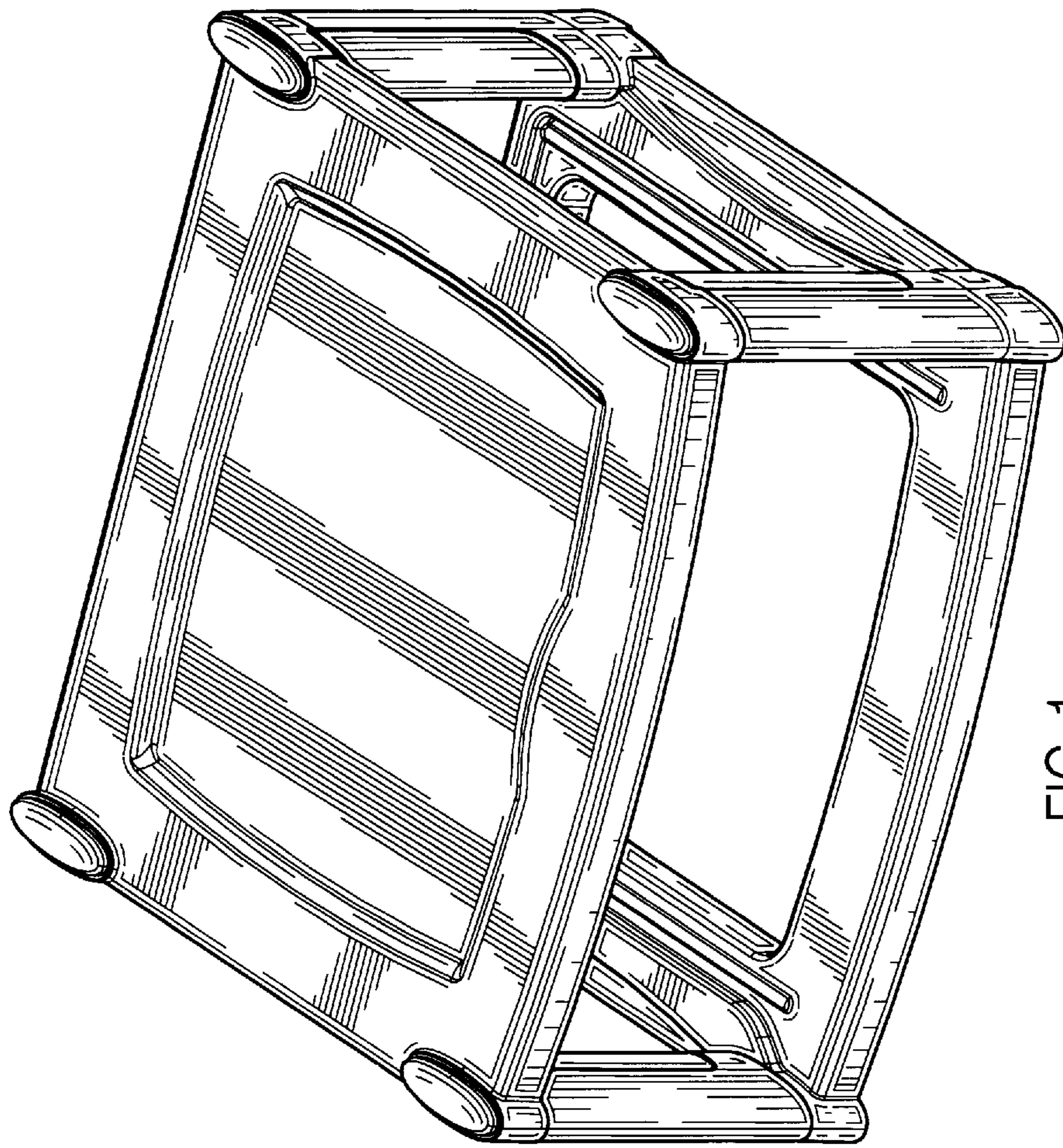


FIG. 1

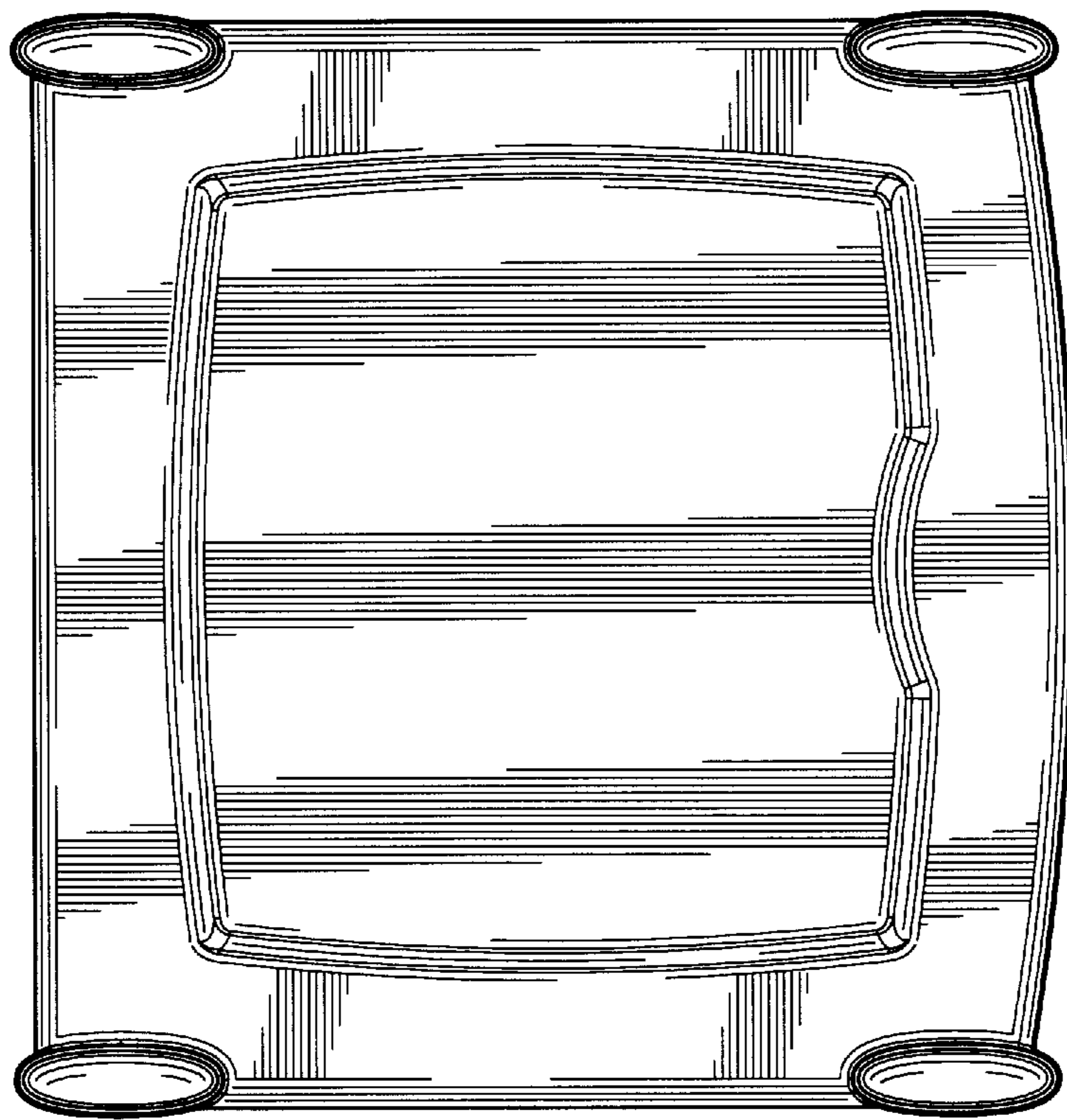


FIG. 2

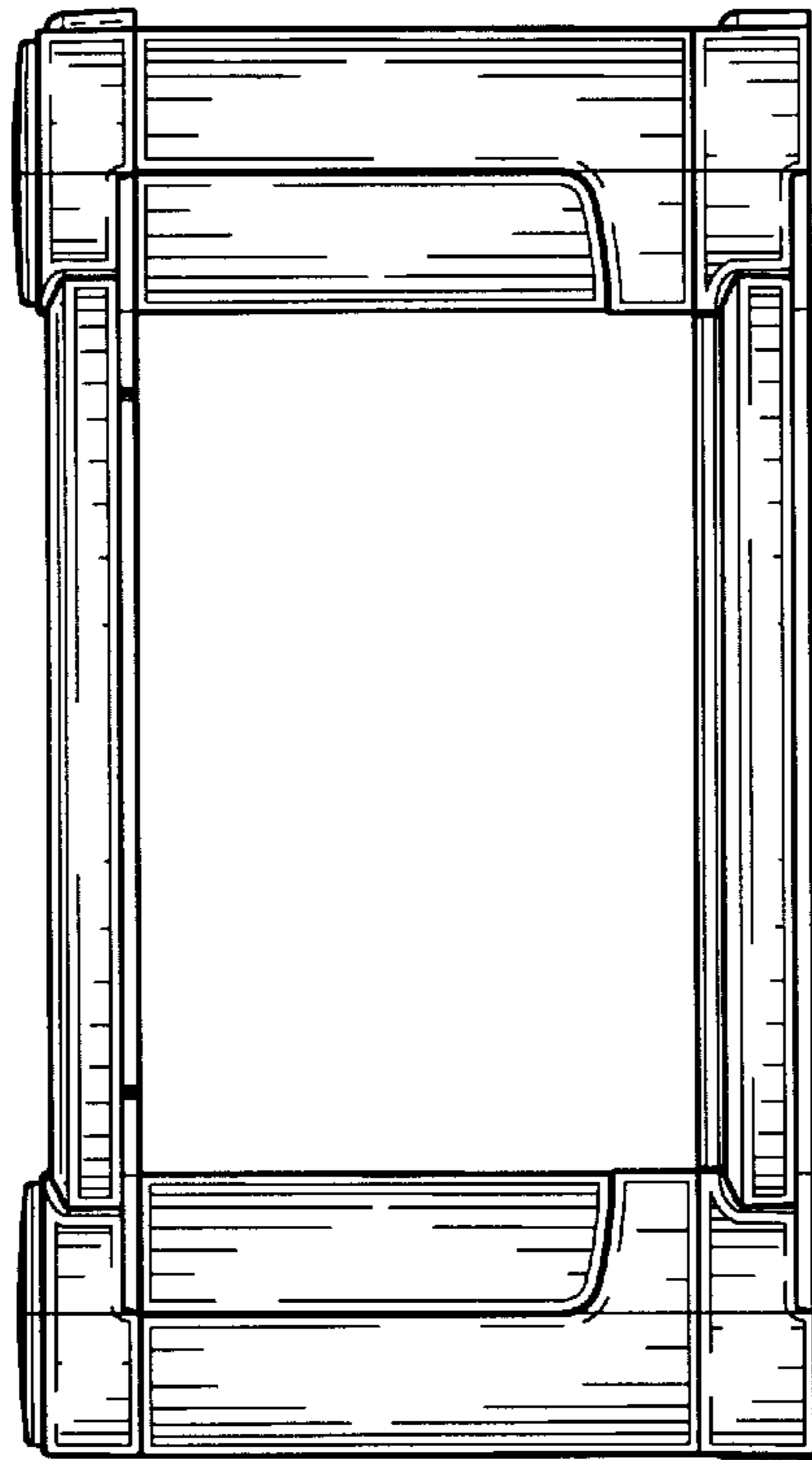


FIG. 3

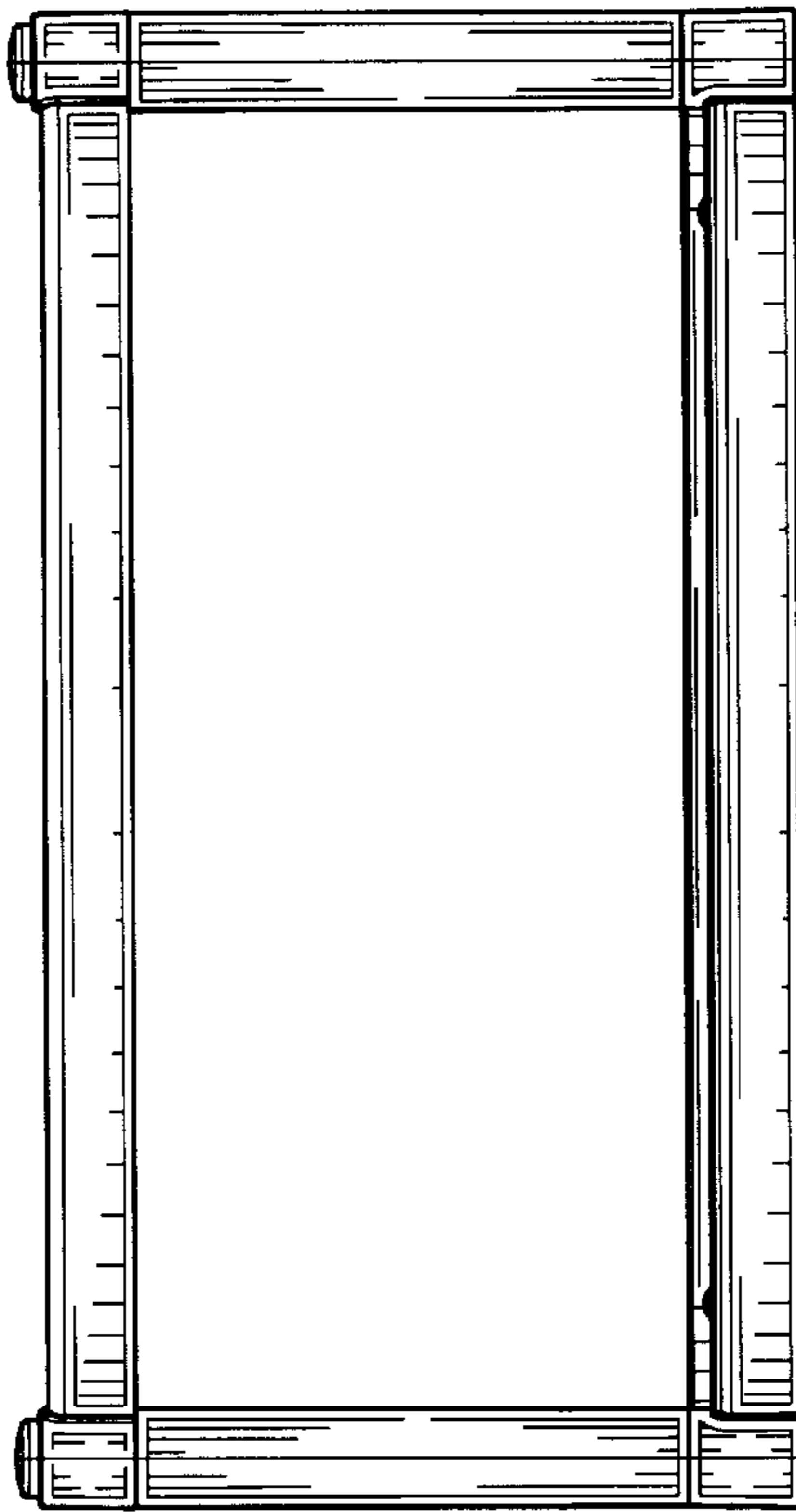


FIG. 4

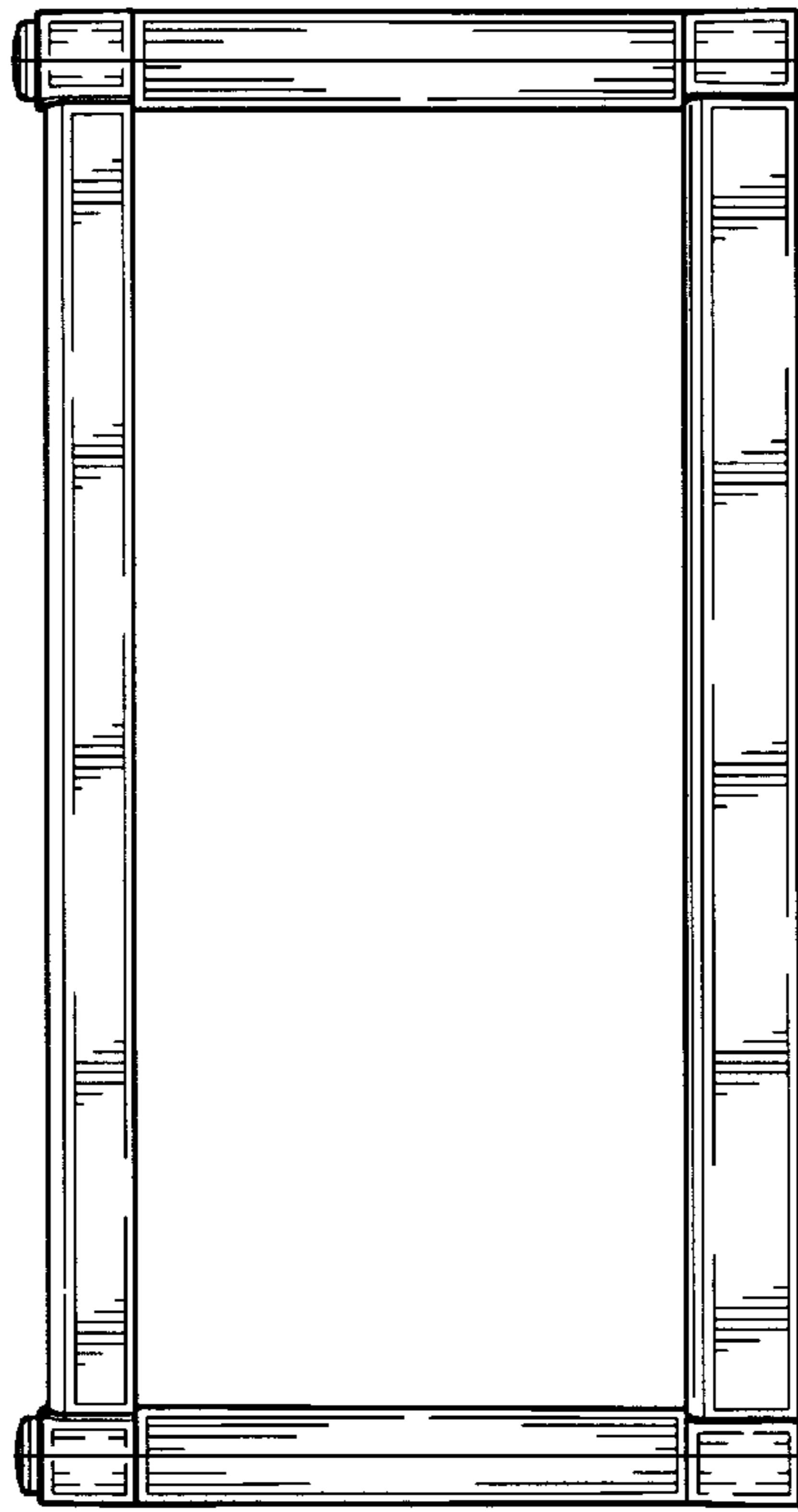


FIG. 5

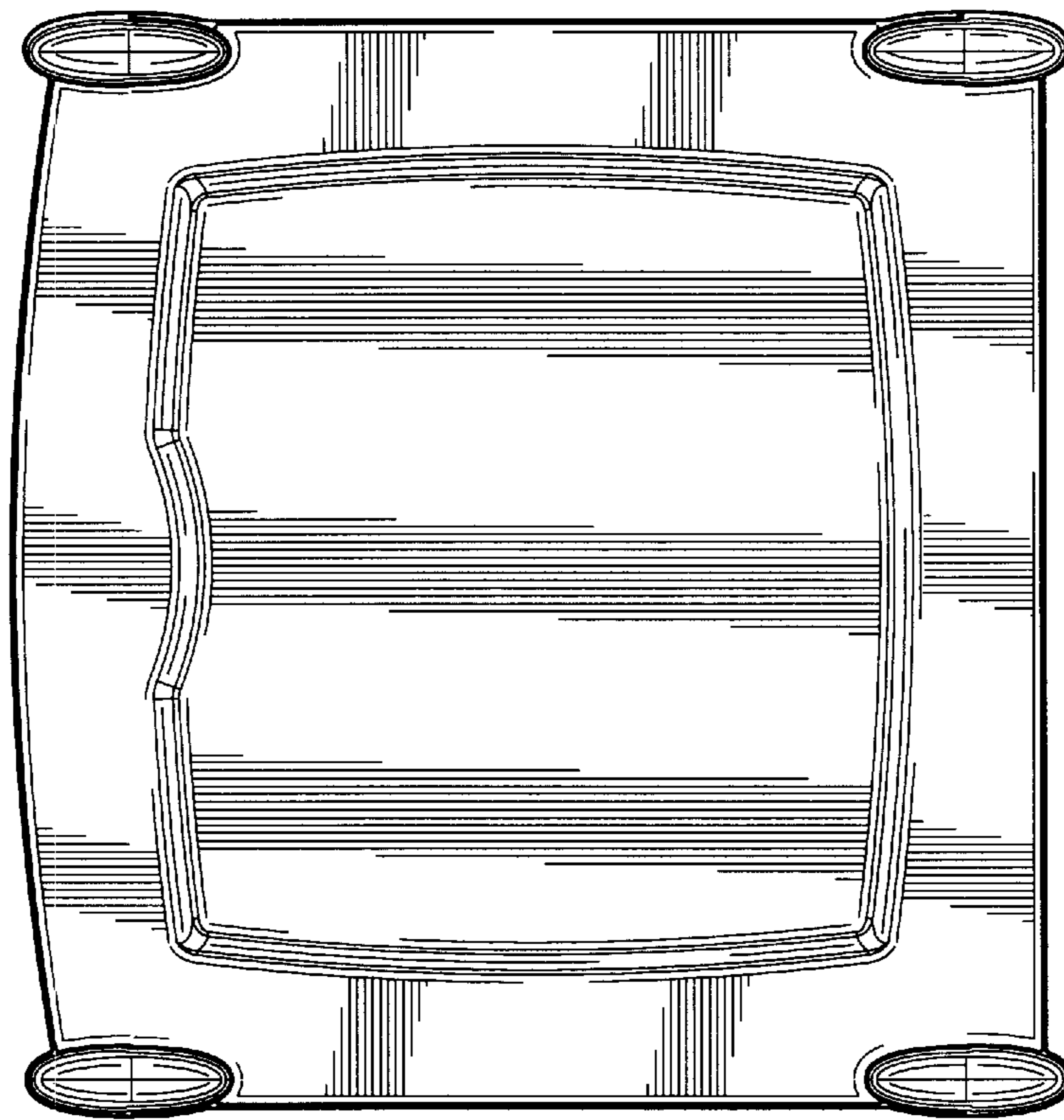


FIG. 6