



US00D404598S

United States Patent [19] Chen

[11] **Patent Number: Des. 404,598**

[45] **Date of Patent: **Jan. 26, 1999**

[54] **CHAIR BASE**

D. 328,822 8/1992 Piretti D6/366

[75] Inventor: **Su-Ming Chen**, Kaohsiung Hsien, Taiwan

Primary Examiner—Gary D. Watson
Attorney, Agent, or Firm—Sheridan Ross P.C.

[73] Assignee: **King Hong Industrial Co., Ltd.**, Kaohsiung Hsien, Taiwan

[57] **CLAIM**

[**] Term: **14 Years**

The ornamental design for a chair base, as shown and described.

[21] Appl. No.: **68,131**

DESCRIPTION

[22] Filed: **Apr. 15, 1997**

FIG. 1 is a perspective view of chair base showing my new design;

[51] **LOC (6) Cl.** **06-06**

FIG. 2 is a front elevational view thereof;

[52] **U.S. Cl.** **D6/498**

FIG. 3 is a rear elevational view thereof;

[58] **Field of Search** D6/334, 364, 365, D6/366, 367, 498, 500, 501, 502; 248/188, 188.1, 188.7, 188.9

FIG. 4 is a left side elevational view thereof;

FIG. 5 is a right side elevational view thereof;

FIG. 6 is a top plan view thereof; and,

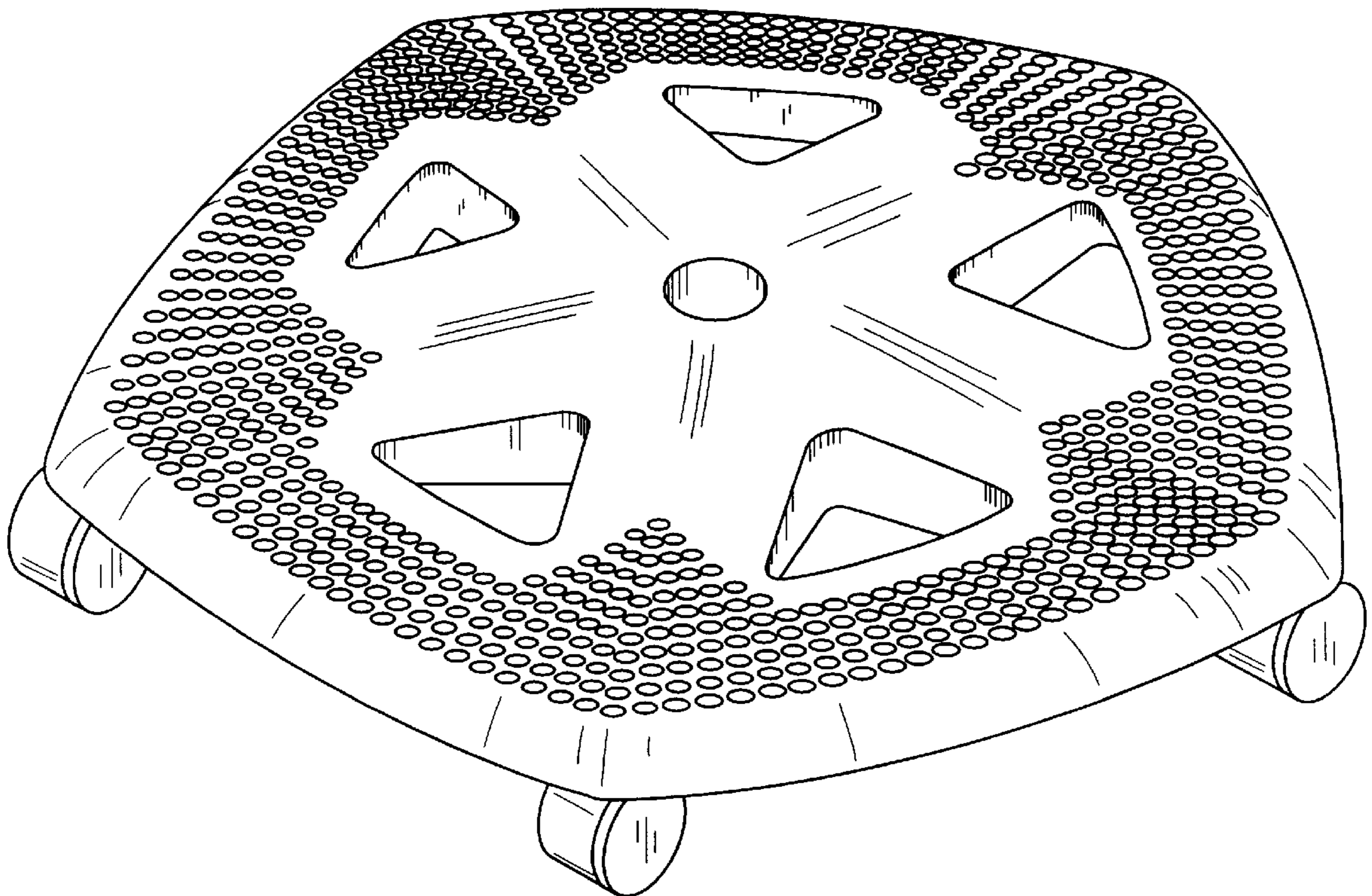
FIG. 7 is a bottom plan view thereof.

[56] **References Cited**

U.S. PATENT DOCUMENTS

D. 288,869 3/1987 Bitsch D6/365

1 Claim, 5 Drawing Sheets



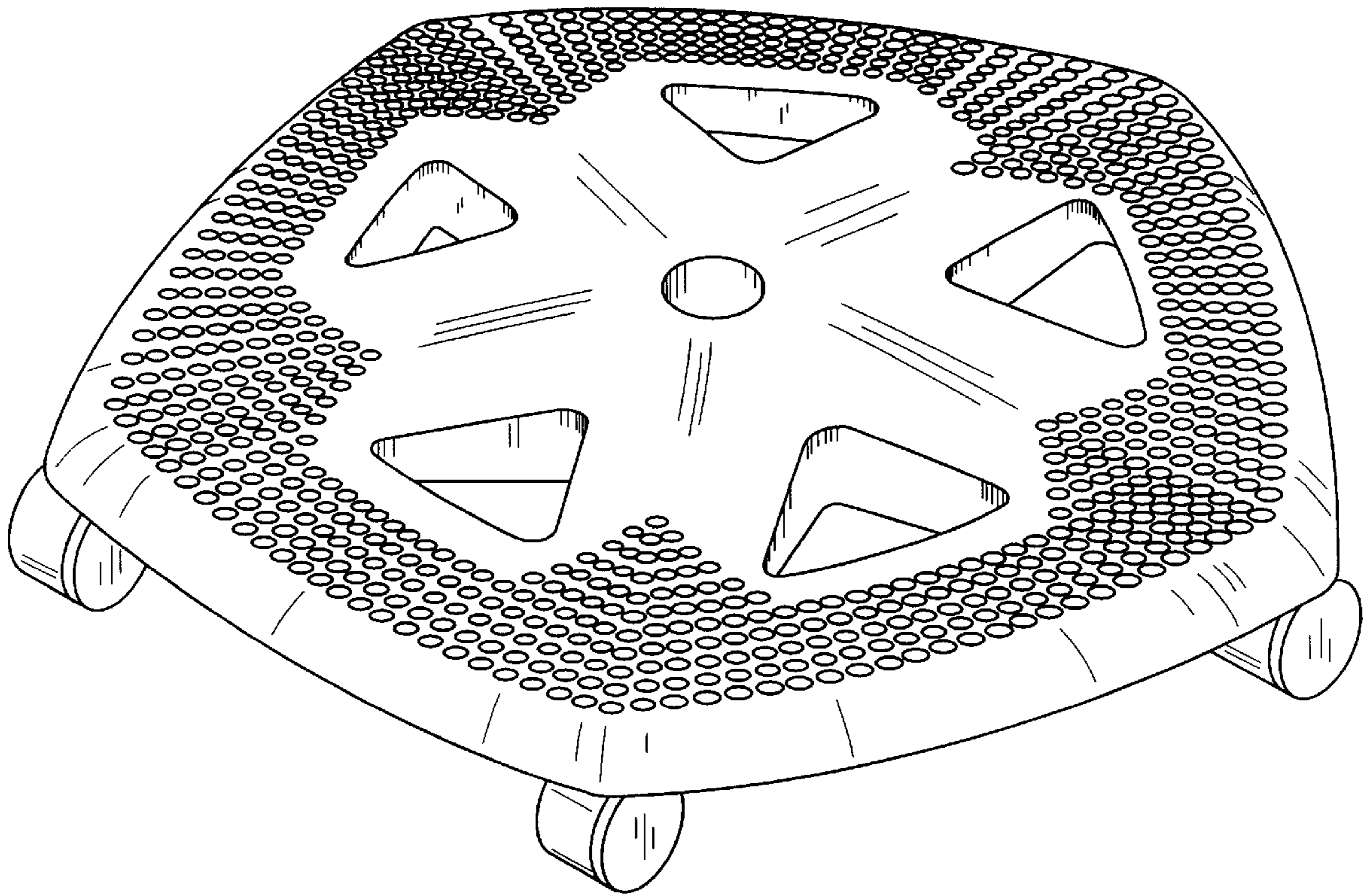


Fig. 1

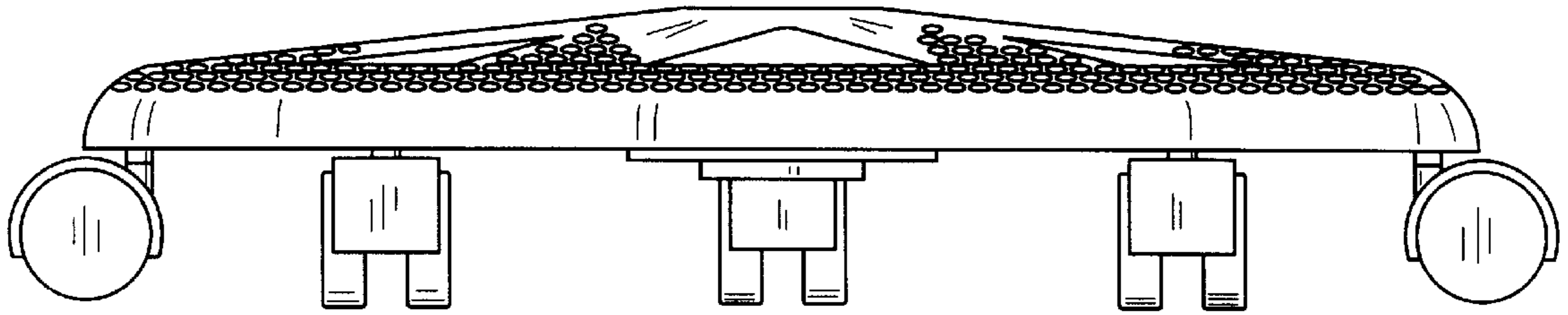


Fig. 2

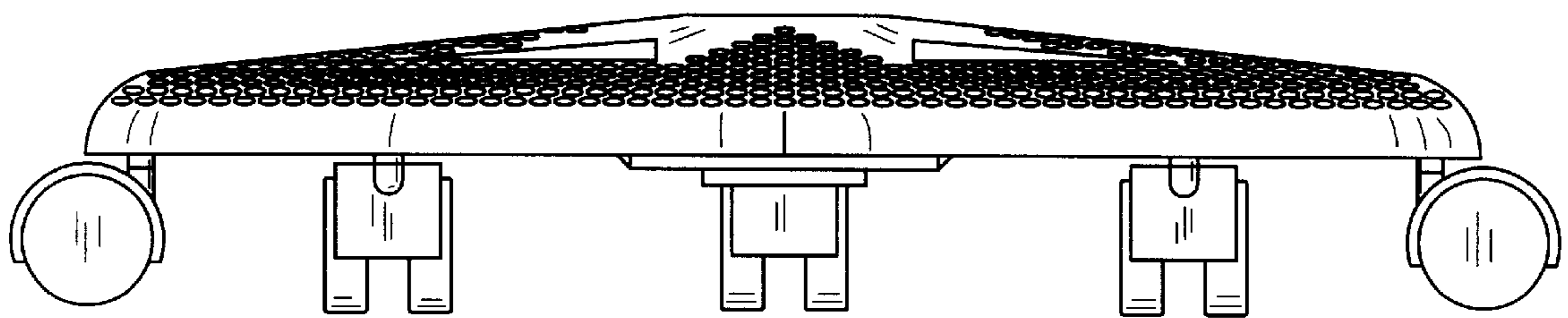


Fig. 3

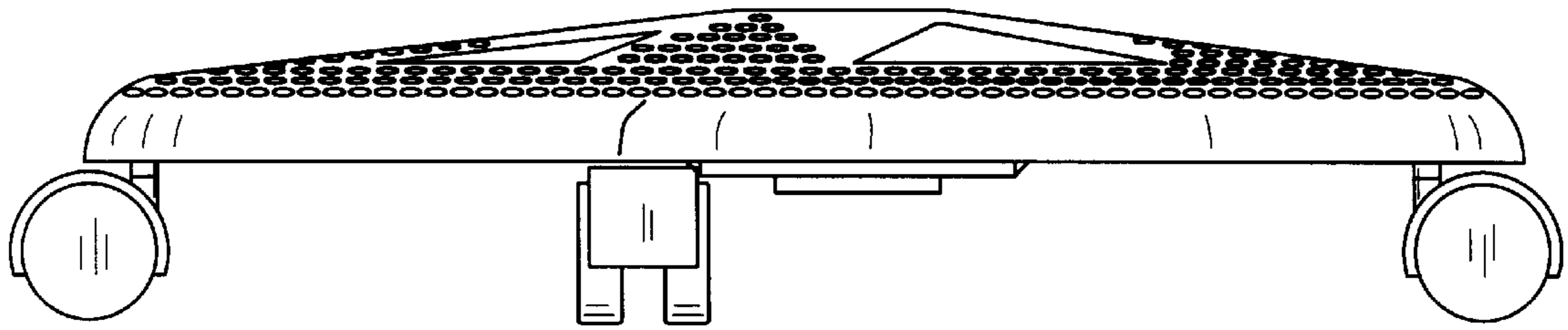


Fig. 4

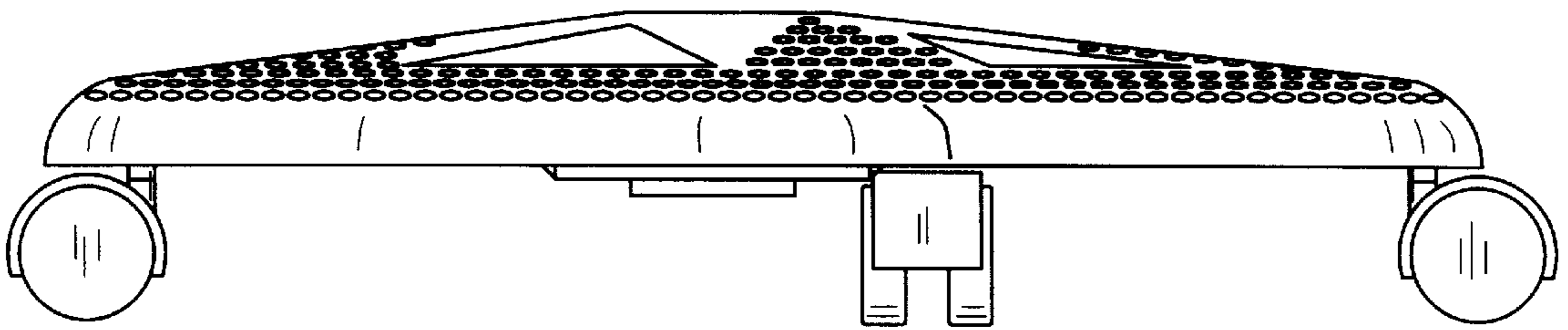


Fig. 5

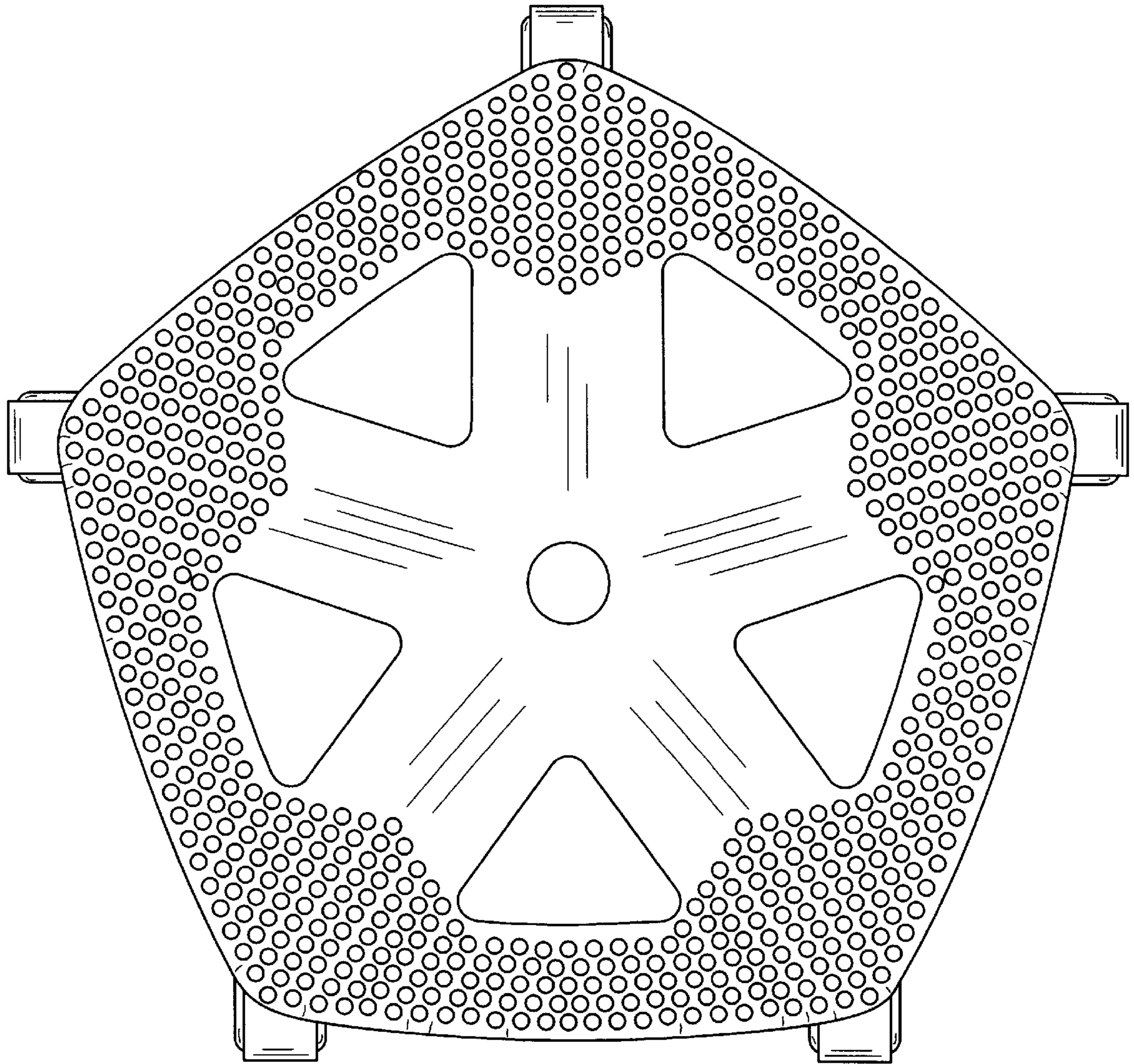


Fig. 6

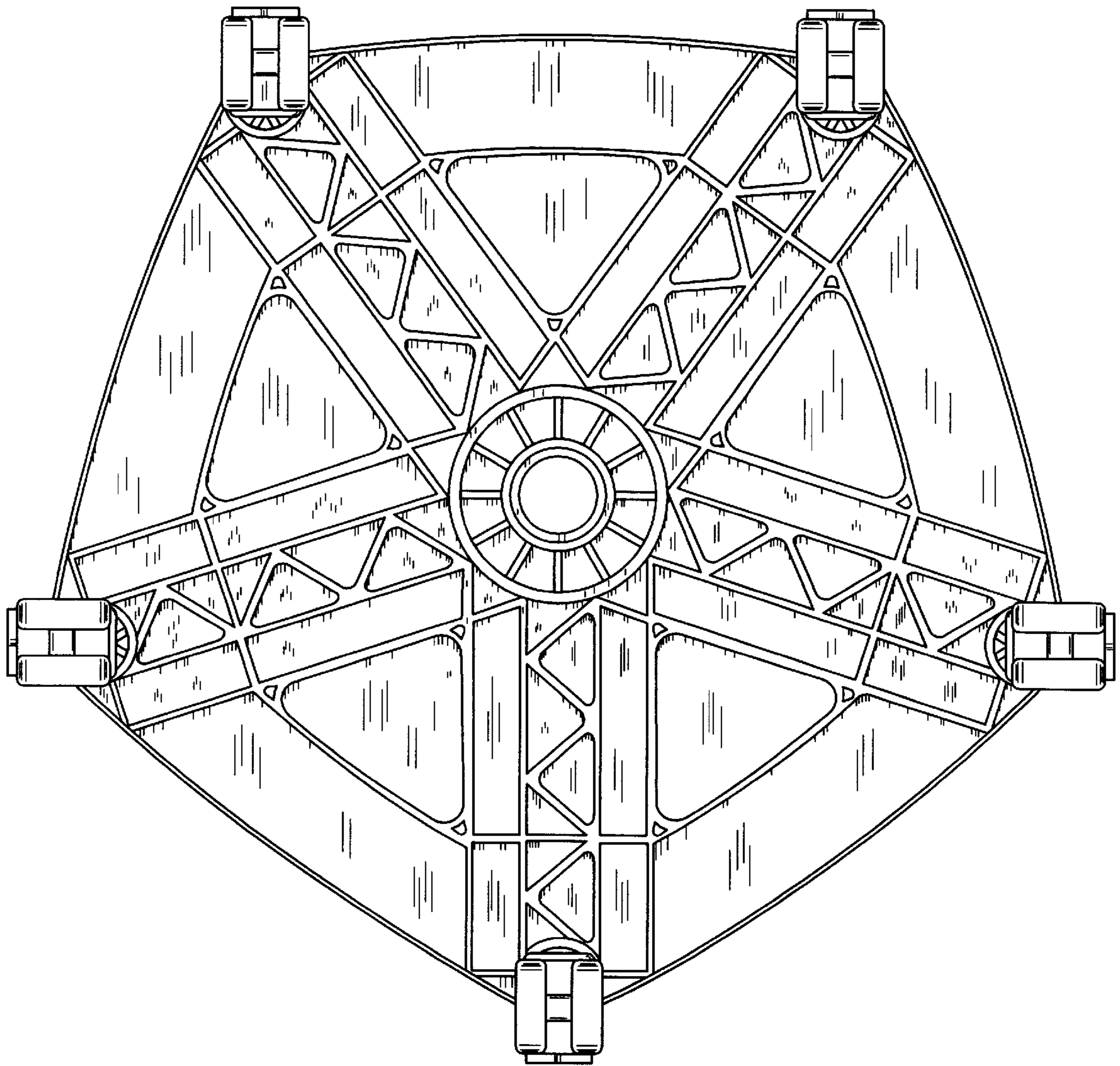


Fig. 7